

US00D409754S

United States Patent [19]

Dunshee et al.

[11] Patent Number: Des. 409,754

[45] Date of Patent: ** May 11, 1999

[54] BANDAGE

[76] Inventors: **Wayne K. Dunshee; Donald G. Peterson**, both of P.O. Box 33427, St. Paul, Minn. 55133-3427

[**] Term: **14 Years**

[21] Appl. No.: **29/086,450**

[22] Filed: **Apr. 13, 1998**

Related U.S. Application Data

[62] Division of application No. 29/056,568, Jul. 2, 1996.

[51] LOC (6) Cl. **24-04**

[52] U.S. Cl. **D24/189**

[58] Field of Search D24/189; 602/8, 602/41-56

[56] References Cited

U.S. PATENT DOCUMENTS

Re. 24,906	12/1960	Ulrich	206/59
Re. 33,353	9/1990	Heinecke	428/40
Re. 33,727	10/1991	Sims	128/85
D. 292,826	11/1987	Sproles	D24/189

(List continued on next page.)

FOREIGN PATENT DOCUMENTS

0 051 935	5/1982	European Pat. Off.	A61F 13/02
0 066 899	12/1982	European Pat. Off.	A61F 13/02
0 081 990	6/1983	European Pat. Off.	A61F 13/02
0 161 865	11/1985	European Pat. Off.	A61F 13/02
0 236 104	9/1987	European Pat. Off.	A61F 13/02

(List continued on next page.)

OTHER PUBLICATIONS

Fey et al., "Chapter 18—Silicone Release Coatings"; Handbook of Pressure-Sensitive Adhesive Technology: 1982; pp. 384-403.

Límová et al.; "Clinical Evaluation of Two Hydrocolloid Dressings in the Management of Venous Insufficiency Ulcers"; 3M Health Care; Form No. 70-200809650-7(76.25) ii; 1996.

Brochure "3M Tegaserb™ Hydrocolloid Dressing 3M Tegaserb™ THIN Hydrocolloid Dressing Product Profile"; 3M Health Care; Form No. 70-2008-3817-8(861)ii; 1996.

(List continued on next page.)

Primary Examiner—Louis S. Zarfes
Assistant Examiner—G. Andoll
Attorney, Agent, or Firm—Gary L. Griswold; Robert W. Sprague; Stephen W. Bauer

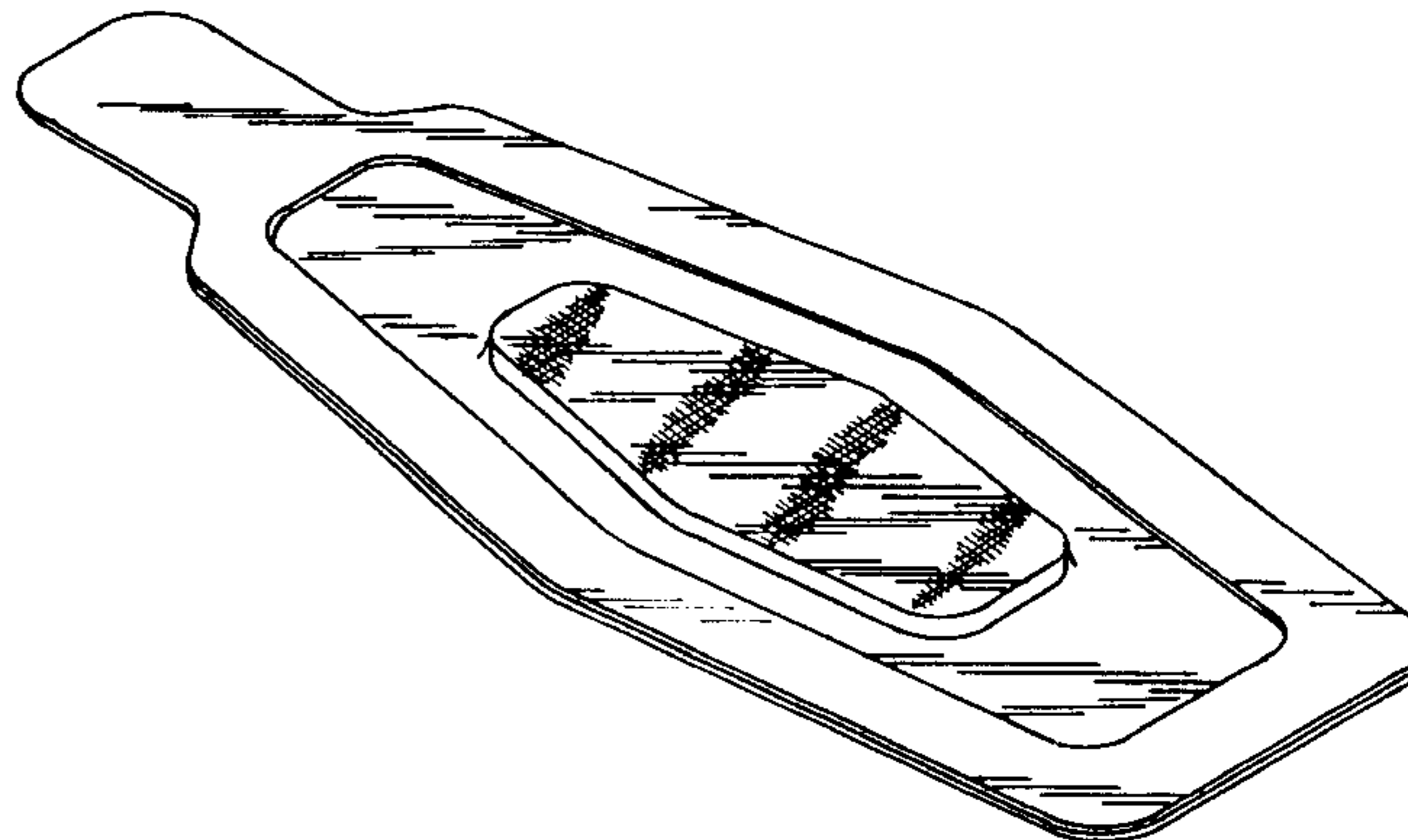
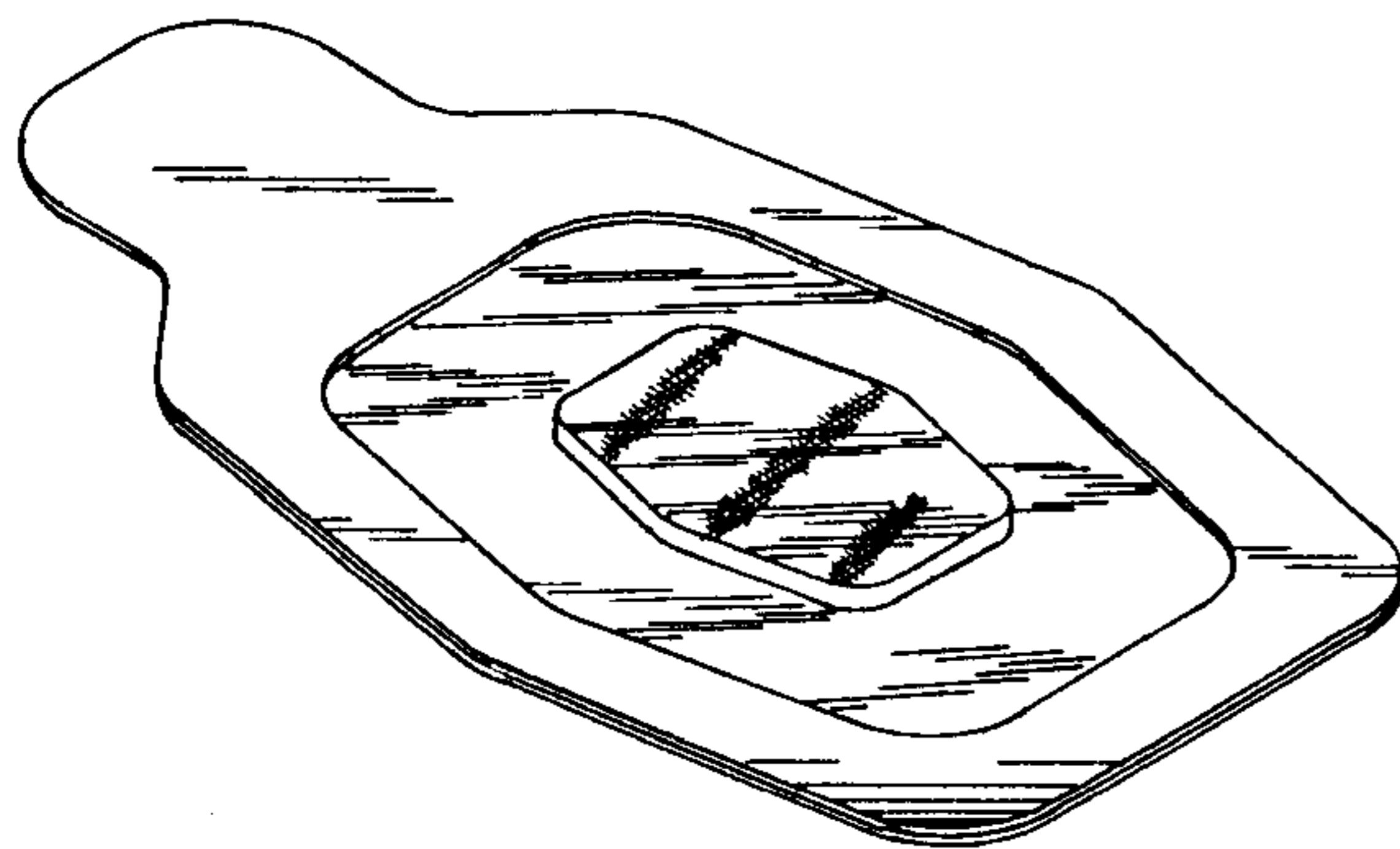
[57] CLAIM

The ornamental design for a bandage, as shown and described.

DESCRIPTION

FIG. 1 is a perspective view of an adhesive bandage and carrier showing the new design;
 FIG. 2 is a top plan view of the bandage and carrier thereof;
 FIG. 3 is a bottom plan view of the bandage and carrier thereof;
 FIG. 4 is a right side elevational view of the bandage and carrier thereof;
 FIG. 5 is a left side elevational view of the bandage and carrier thereof;
 FIG. 6 is a rear end elevational view of the bandage and carrier thereof;
 FIG. 7 is a front end elevational view of the bandage and carrier thereof;
 FIG. 8 is a perspective view of an alternate embodiment of the adhesive bandage and carrier invention;
 FIG. 9 is a top plan view of the bandage and carrier of FIG. 8;
 FIG. 10 is a bottom plan view of the bandage and carrier of FIG. 8;
 FIG. 11 is a right side elevational view of the bandage and carrier of FIG. 8;
 FIG. 12 is a left side elevational view of the bandage and carrier of FIG. 8;
 FIG. 13 is a front end elevational view of the bandage and carrier of FIG. 8; and,
 FIG. 14 is a rear end elevational view of the bandage and carrier of FIG. 8.

1 Claim, 4 Drawing Sheets



U.S. PATENT DOCUMENTS

1,949,271	2/1934	Duhamel	128/268	4,744,355	5/1988	Faasse, Jr.	128/156
2,172,455	9/1939	Samuel	128/156	4,753,232	6/1988	Ward	128/156
2,402,982	7/1946	Steenbergen	206/63.2	4,773,409	9/1988	Cilento et al.	128/156
2,432,541	12/1947	Peck	128/156	4,781,293	11/1988	Johns	206/441
2,529,060	11/1950	Trillich	117/68.5	4,787,380	11/1988	Scott	128/156
2,532,011	11/1950	Dahlquist et al.	154/53.5	4,832,008	5/1989	Gilman	128/155
2,627,341	2/1953	Morgan	206/63.2	4,884,563	12/1989	Sessions	128/155
2,676,702	4/1954	Whitefoot, Jr.	206/63.2	4,901,714	2/1990	Jensen	128/156
2,703,083	3/1955	Gross	128/156	4,913,138	4/1990	Yoshida et al.	128/155
2,721,550	10/1955	Banff	128/156	4,915,227	4/1990	Johns	206/441
2,734,503	2/1956	Doyle	128/156	4,915,228	4/1990	Johns	206/441
2,752,038	6/1956	Abbott	206/63.2	4,917,112	4/1990	Kalt	128/156
2,806,593	9/1957	Abbott	206/63.2	4,917,928	4/1990	Heinecke	428/41
2,836,178	5/1958	Barr	128/155	4,917,929	4/1990	Heinecke	428/41
2,840,080	6/1958	Clark	128/296	5,018,516	5/1991	Gilman	128/155
2,880,863	4/1959	Stanton		5,035,687	7/1991	Sandbank	604/180
2,889,039	6/1959	Schladermundt et al.	206/63.2	5,052,381	10/1991	Gilbert et al.	128/155
2,924,331	2/1960	Hoey	206/63.2	5,061,258	10/1991	Martz	604/307
2,927,689	3/1960	Look, Jr.	206/63.2	5,086,764	2/1992	Gilman	602/42
2,946,435	7/1960	Schladermundt et al.	206/63.2	5,088,483	2/1992	Heinecke	602/46
2,969,144	1/1961	Zackheim	206/63.2	5,099,832	3/1992	Ward	602/57
2,969,145	1/1961	Hannauer, Jr.	206/63.2	5,106,383	4/1992	Mulder et al.	604/389
2,973,859	3/1961	Schladermundt et al.	206/63.2	5,123,900	6/1992	Wick	602/41
3,017,990	1/1962	Singerman	206/63.2	5,153,040	10/1992	Faasse, Jr.	428/40
3,018,881	1/1962	Wall	206/56	5,158,555	10/1992	Porzilli	604/307
3,020,186	2/1962	Lawrence	156/248	5,160,315	11/1992	Heinecke et al.	602/57
3,313,405	4/1967	Blackford	206/63.2	5,230,350	7/1993	Fentress	128/846
3,329,548	7/1967	Blatz	156/251	5,264,281	11/1993	Arakawa et al.	428/354
3,389,827	6/1968	Abere et al.	220/53	5,275,285	1/1994	Onotsky	206/441
3,612,265	10/1971	Dickerson	206/63.2	5,277,954	1/1994	Carpenter et al.	428/71
3,645,835	2/1972	Hodgson	161/146	5,336,162	8/1994	Ota et al.	602/41
3,678,933	7/1972	Moore et al.	128/296	5,344,415	9/1994	DeBusk et al.	604/304
3,899,077	8/1975	Spiegelberg	206/441	5,370,924	12/1994	Kochinke	428/224
3,900,105	8/1975	Wolfelsperger	206/498	5,413,567	5/1995	Barth et al.	604/307
4,094,316	6/1978	Nathanson	128/156	5,480,717	1/1996	Kundel	602/56
4,112,213	9/1978	Waldman	526/279	5,489,262	2/1996	Cartmell et al.	602/57
4,126,130	11/1978	Cowden et al.	602/8	5,520,629	5/1996	Heinecke et al.	602/57
4,161,176	7/1979	Harris, II et al.	128/155	5,531,855	7/1996	Heinecke et al.	156/252
4,182,449	1/1980	Kozlow	206/441	5,630,430	5/1997	Shultz et al.	602/54
4,264,008	4/1981	Kozlow	206/441				
4,265,234	5/1981	Schaar	128/156				
4,281,650	8/1981	Spiegelberg	128/156				
4,304,333	12/1981	Kozlow, Sr.	206/441				
4,310,509	1/1982	Berglund et al.	424/28				
4,323,557	4/1982	Rosso et al.	424/28				
4,328,057	5/1982	Gutow	156/248				
4,374,520	2/1983	Grossmann et al.	128/132				
4,413,621	11/1983	McCracken et al.	128/156				
4,472,480	9/1984	Olson	428/332				
4,485,809	12/1984	Dellas	128/156				
4,499,896	2/1985	Heinecke	128/156				
4,513,739	4/1985	Johns	128/156				
4,524,095	6/1985	Gockel et al.	428/43				
4,545,371	10/1985	Grossmann et al.	128/132				
4,549,063	10/1985	Ang et al.	219/121				
4,549,653	10/1985	Lauritzen	206/441				
4,561,435	12/1985	McKnight et al.	128/136				
4,587,146	5/1986	Anhäuser et al.	428/41				
4,590,022	5/1986	Cloca et al.	264/41				
4,595,001	6/1986	Potter et al.	128/156				
4,595,011	6/1986	Phillips	128/636				
4,596,738	6/1986	Metcalfe et al.	428/308				
4,598,004	7/1986	Heinecke	428/40				
4,600,001	7/1986	Gilman	128/156				
4,614,183	9/1986	McCracken et al.	128/132				
4,664,106	5/1987	Snedeker	128/156				
4,669,458	6/1987	Abraham et al.	128/133				
4,678,462	7/1987	Vaillancourt	604/180				
4,706,662	11/1987	Thompson	128/155				
4,733,659	3/1988	Edenbaum et al.	128/156				
4,737,410	4/1988	Kantner	428/343				
4,738,257	4/1988	Meyer et al.	128/156				
4,742,826	5/1988	McLorg	128/335				
4,743,232	5/1988	Kruger	604/180				

FOREIGN PATENT DOCUMENTS

0 303 422	2/1989	European Pat. Off.	A61F 13/00
0 465 023	1/1992	European Pat. Off.	A61F 13/02
0 541 251	5/1993	European Pat. Off.	A61F 13/02
59-214449	12/1984	Japan	A61F 13/02
2 120 104	11/1983	United Kingdom	A61F 13/00
2 131 299	6/1984	United Kingdom	A61F 13/02
WO 94/21207	9/1994	WIPO	A61F 13/02

OTHER PUBLICATIONS

Package "3M Tegisorb™" dated Aug. 1993.
 Flyer "Tegisorb™ Ulcer Dressing"; Medical-Surgical Division 3M Health Care; Form No. 70-2008-2728-8 (301)ii; 1990.
 Flyer "3M Tegisorb™ THIN hydrocolloid dressing"; 3M Health Care; Form No. 70-2008-6475-2(43.5)ii; 1993.
 Flyer "3M Tegisorb™ ulcer dressing" Medical-Surgical Division 3M Health Care; Form No. 70-2008-4530-6(5115)VP; 1991.
 Brochure "Wound Care"; Medical-Surgical Division 3M Health Care; Form No. 70-2008-4526-4(70.8)VP; 2-90.
 Flyer "3M Tegaderm™ 1624W transparent dressing"; 3M Health Care; Form No. 70-2008-6769-8(73.75)ii; 1993.
 Flyer "3M Tegaderm Transparent Dressing"; 3M Health Care; Form No. 70-2008-7408-2(644)ii; 1994.
 Brochure "Tegaderm™ Transparent Dressing—Suggested Applications and Special Techniques"; 3M Health Care; Form No. 70-2008-5413-4(321.5)ll; Oct., 1991.
 U.S. application Ser. No. 08/463,788.
 U.S. application Ser. No. 08/677,426.

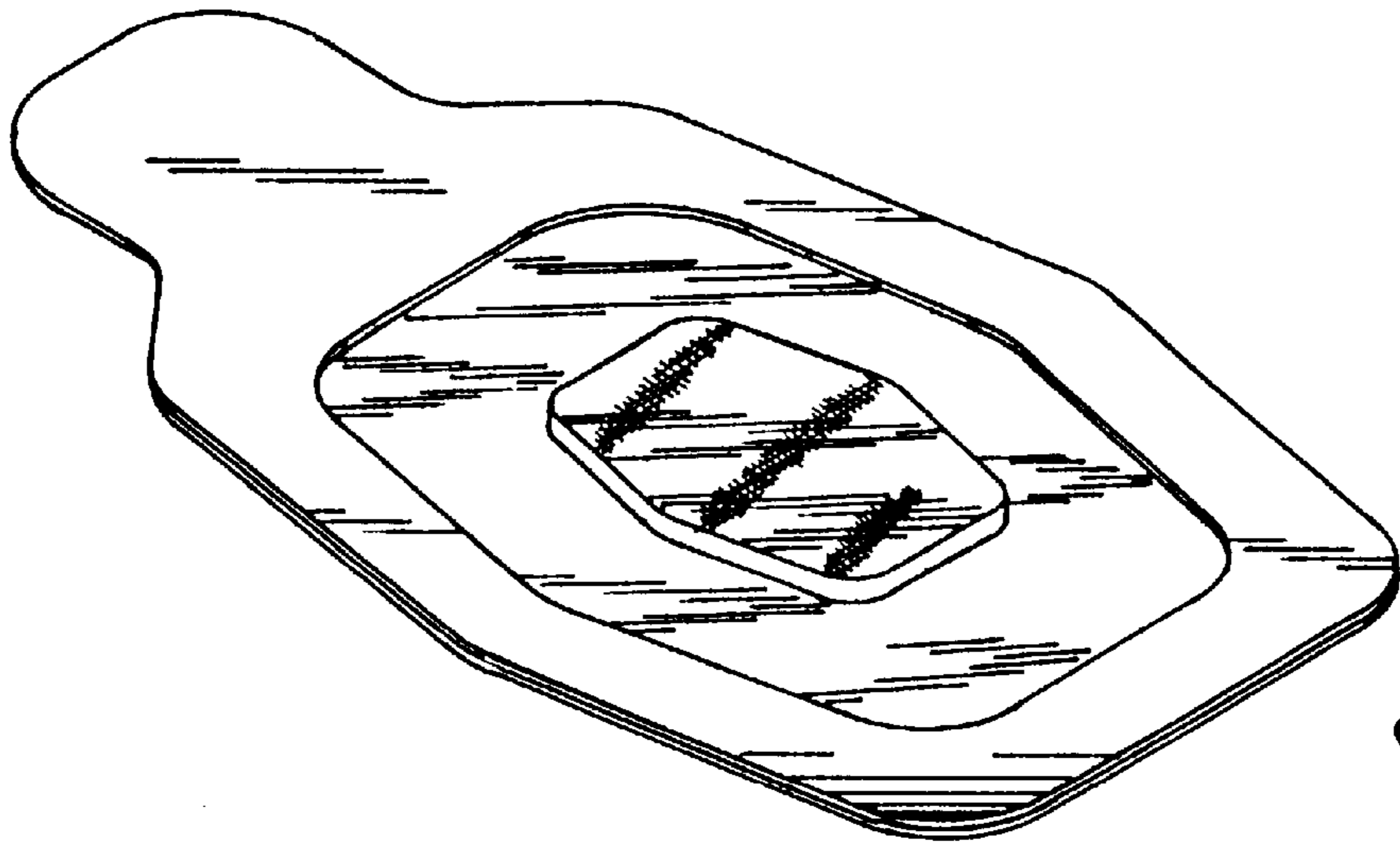


Fig. 1

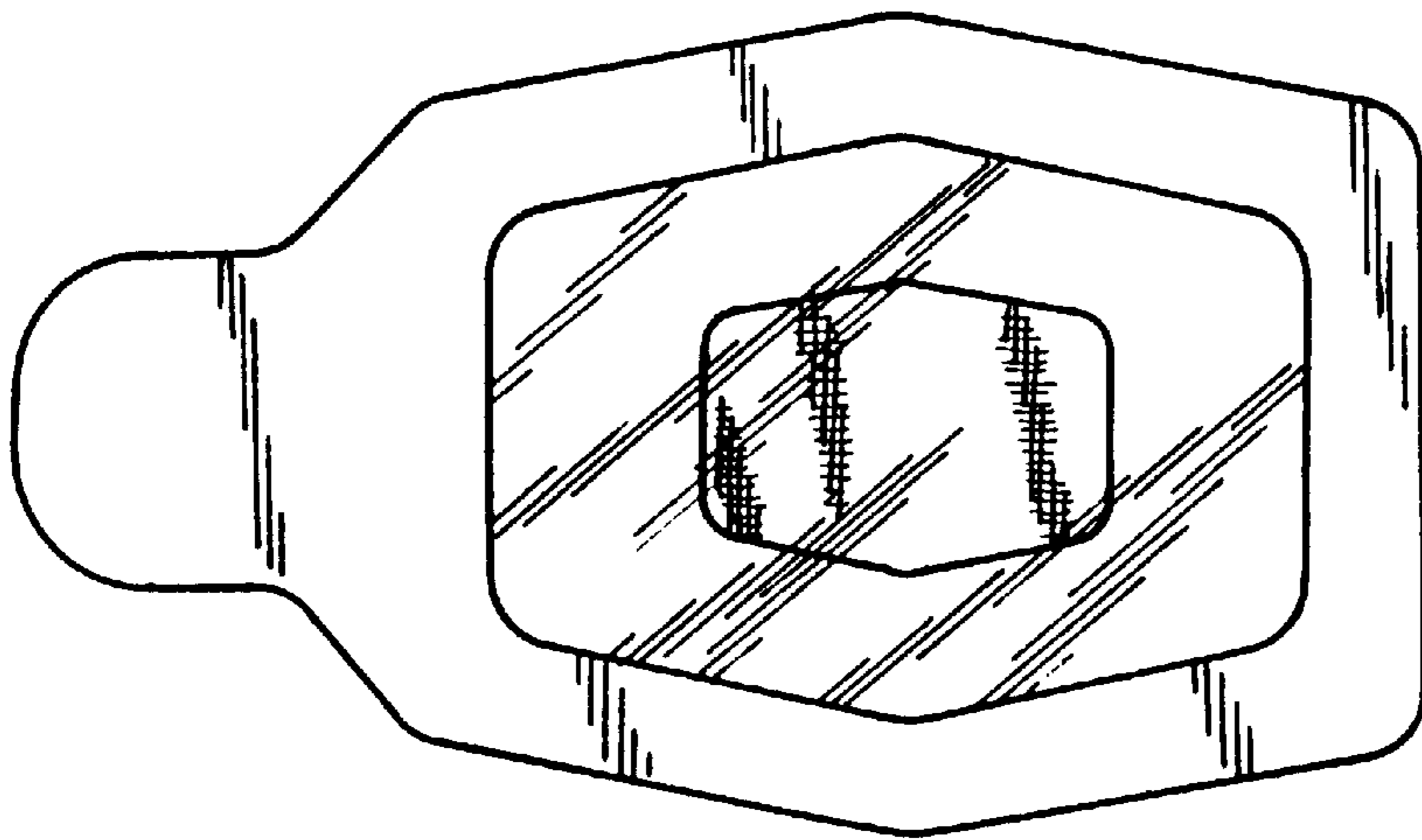


Fig. 2

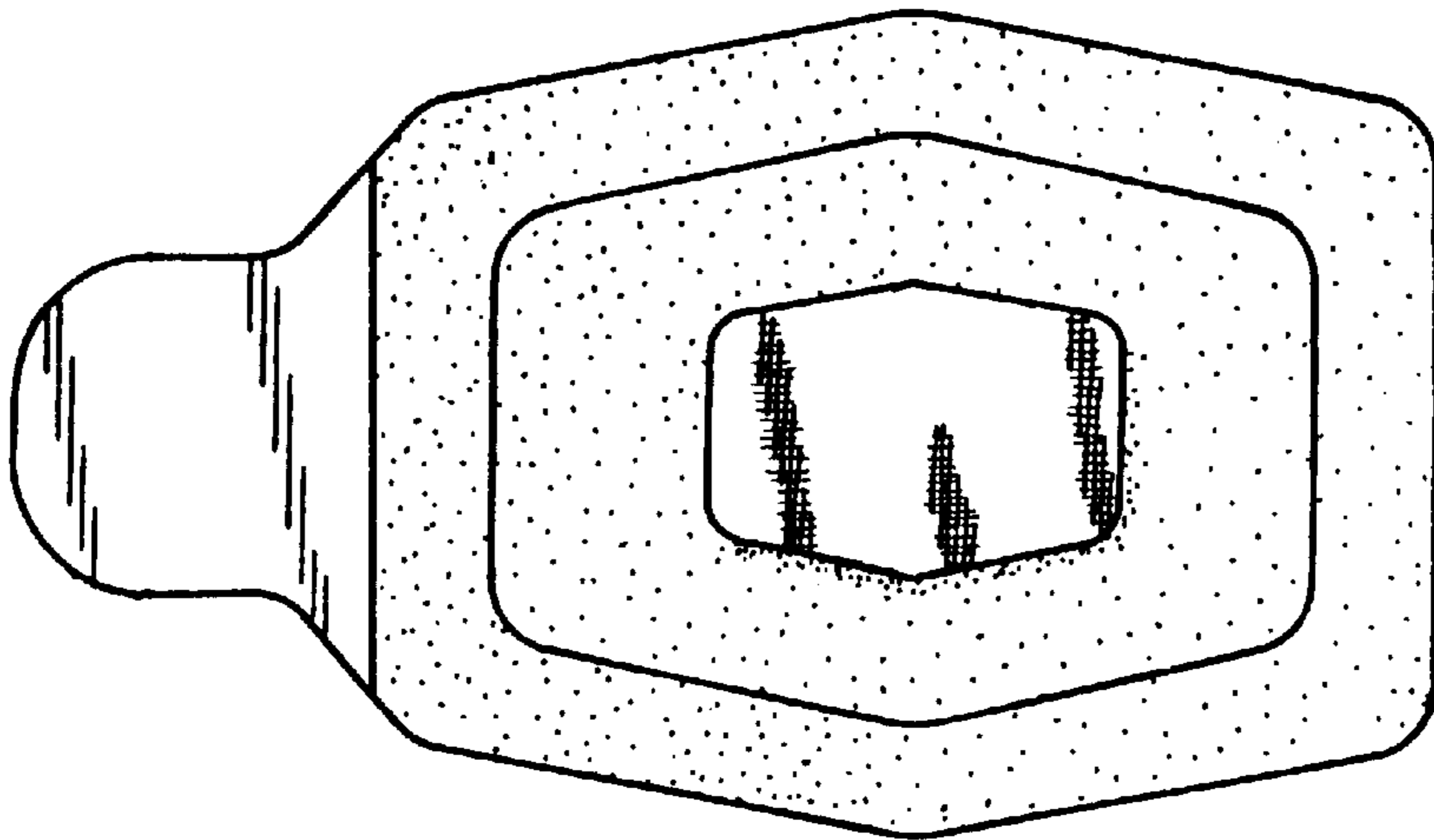


Fig. 3



Fig. 4



Fig. 5

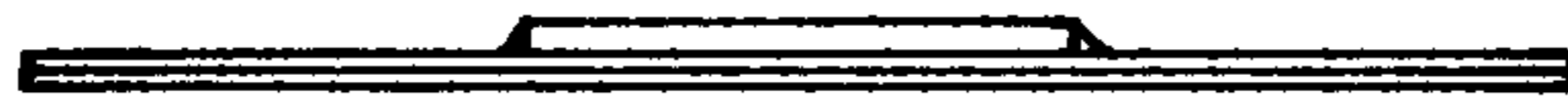


Fig. 6

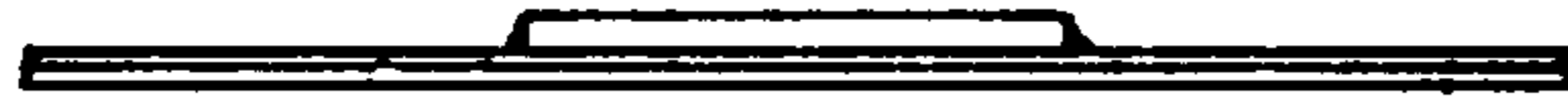


Fig. 7

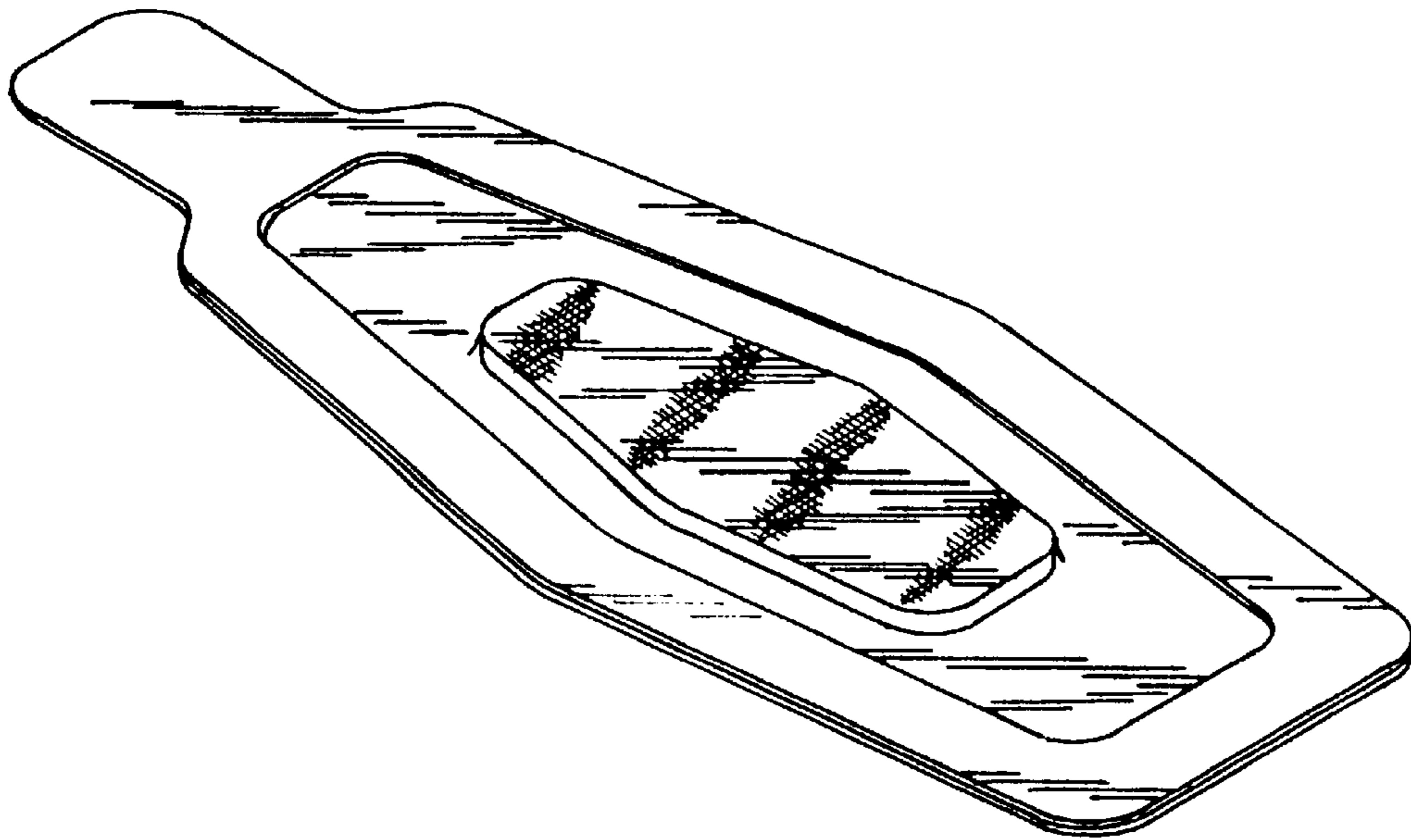


Fig. 8

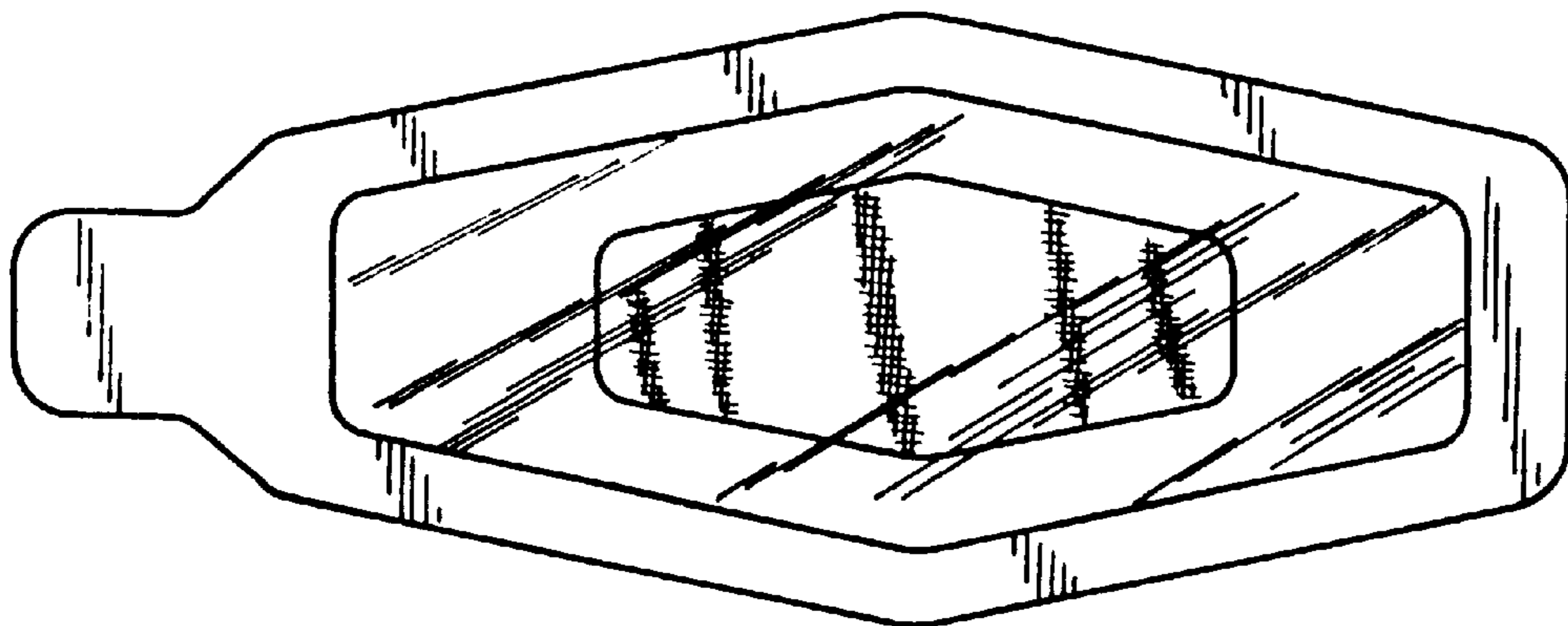


Fig. 9

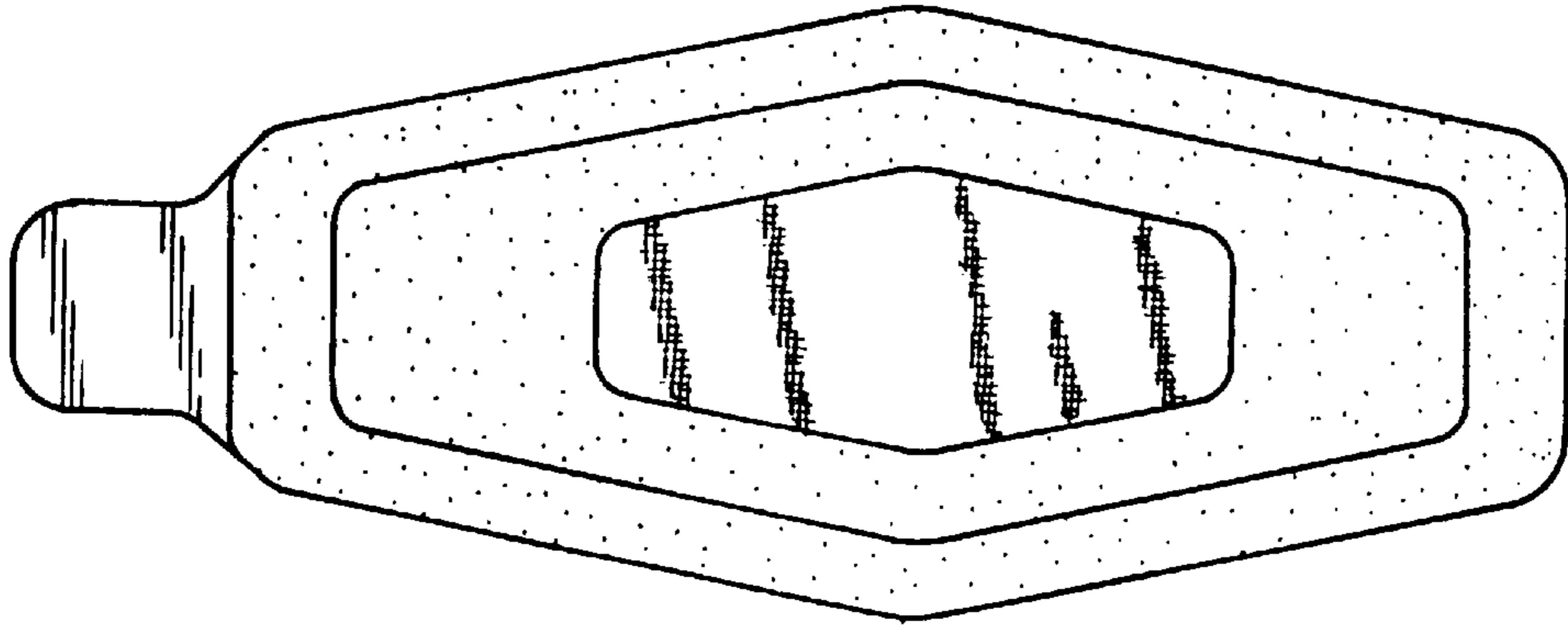


Fig. 10

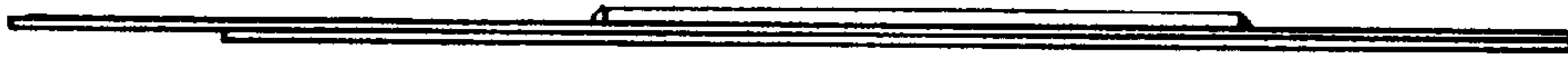


Fig. 11

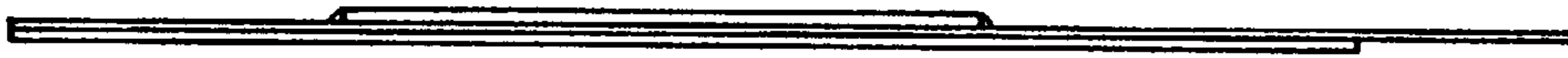


Fig. 12

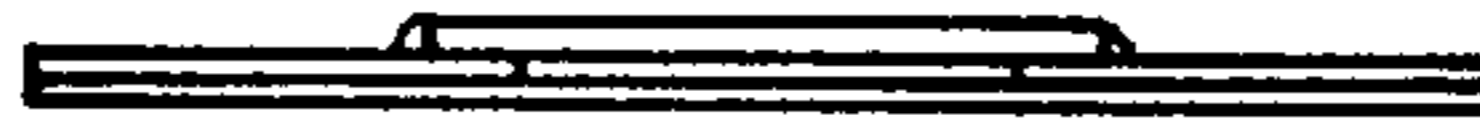


Fig. 13

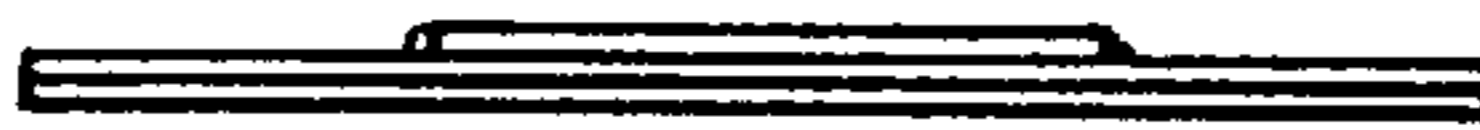


Fig. 14