



US00D409751S

# United States Patent [19] Kemp

[11] **Patent Number: Des. 409,751**

[45] **Date of Patent: \*\* May 11, 1999**

[54] **PEDIATRIC EXAMINATION TABLE**

[76] Inventor: **James R. Kemp**, 3710 N. Racine,  
Chicago, Ill. 60613

[\*\*] Term: **14 Years**

[21] Appl. No.: **29/081,607**

[22] Filed: **Jan. 6, 1998**

[51] **LOC (6) Cl. .... 24-01**

[52] **U.S. Cl. .... D24/183**

[58] **Field of Search .... D24/183; 5/600,  
5/603, 611, 612**

[56] **References Cited**

**U.S. PATENT DOCUMENTS**

- D. 261,549 10/1981 Patterson ..... D24/183
- D. 324,732 3/1992 Kochsiek ..... D24/183
- D. 326,326 5/1992 Kochsiek ..... D24/183

D. 383,543 9/1997 Kemp ..... D24/183

*Primary Examiner*—Stella Reid  
*Attorney, Agent, or Firm*—Matthew A. Rosenberg; Herzog,  
Crebs & McGhee, LLP

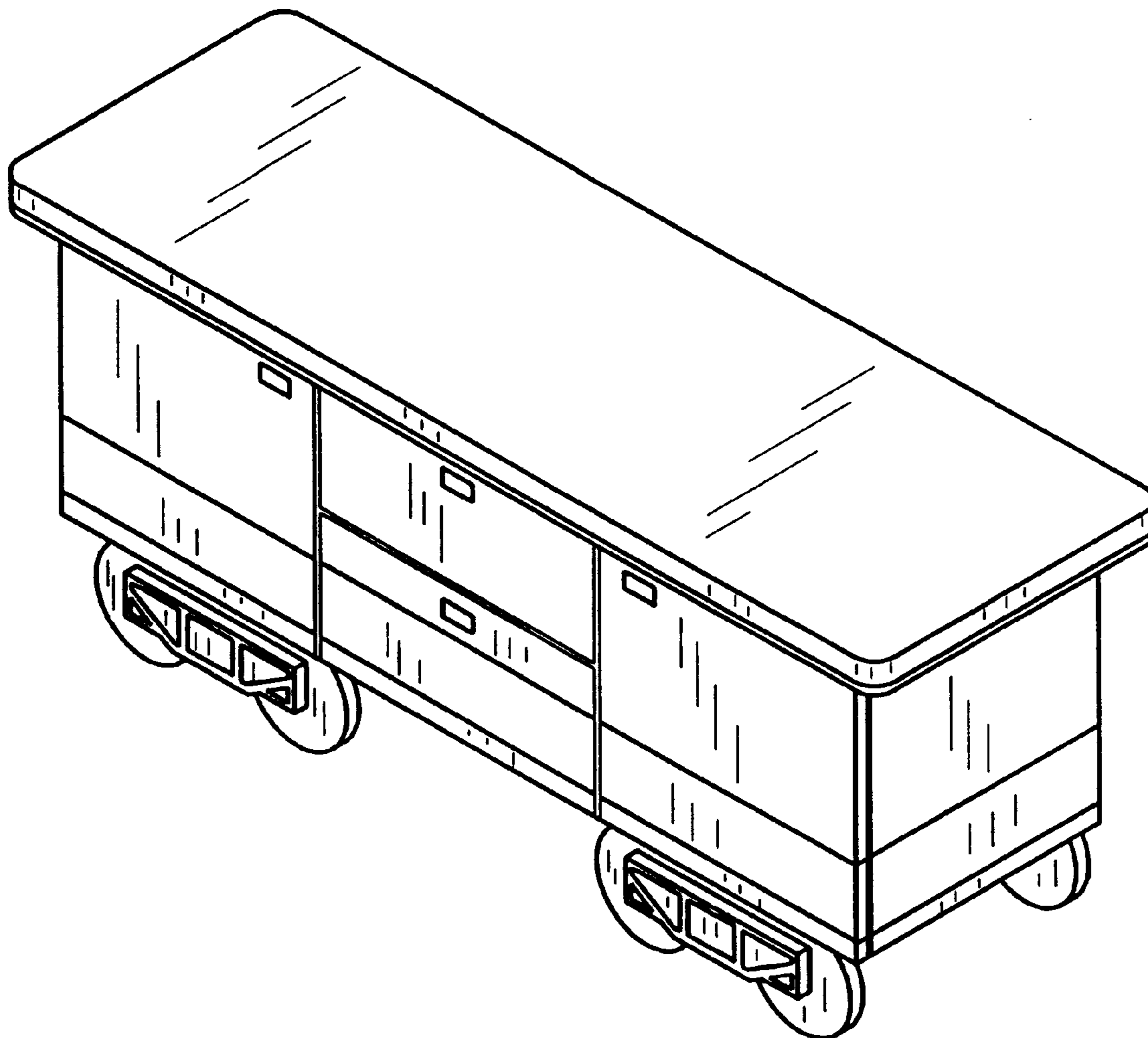
[57] **CLAIM**

The ornamental design of a pediatric examination table, as shown and described.

**DESCRIPTION**

FIG. 1 is an isometric view of the pediatric table showing my new design;  
FIG. 2 is a right elevation view thereof;  
FIG. 3 is a left elevation view thereof;  
FIG. 4 is a top plan view thereof;  
FIG. 5 is a bottom plan view thereof;  
FIG. 6 is a front elevation view thereof; and,  
FIG. 7 is a rear elevation view thereof.

**1 Claim, 2 Drawing Sheets**



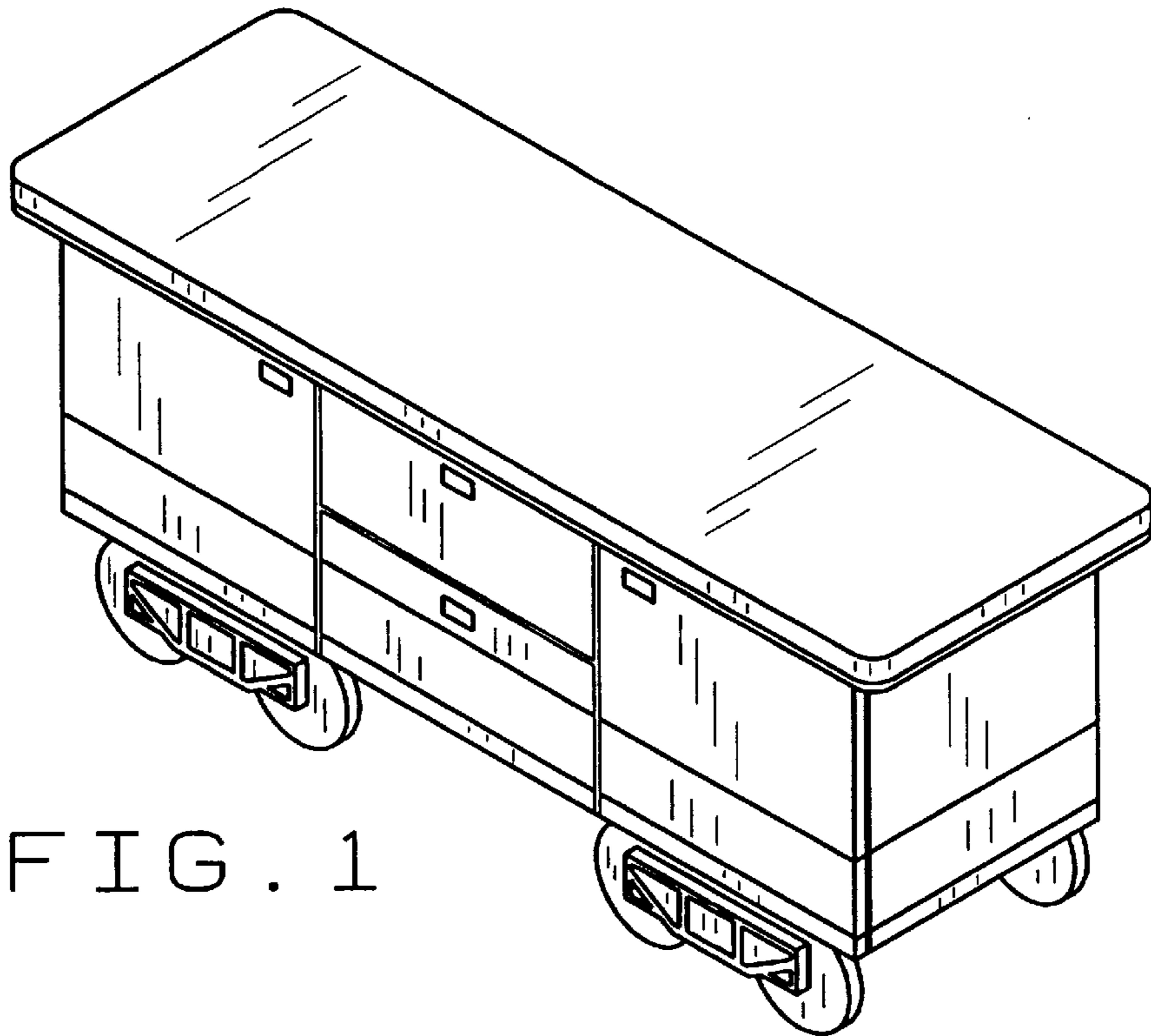


FIG. 1

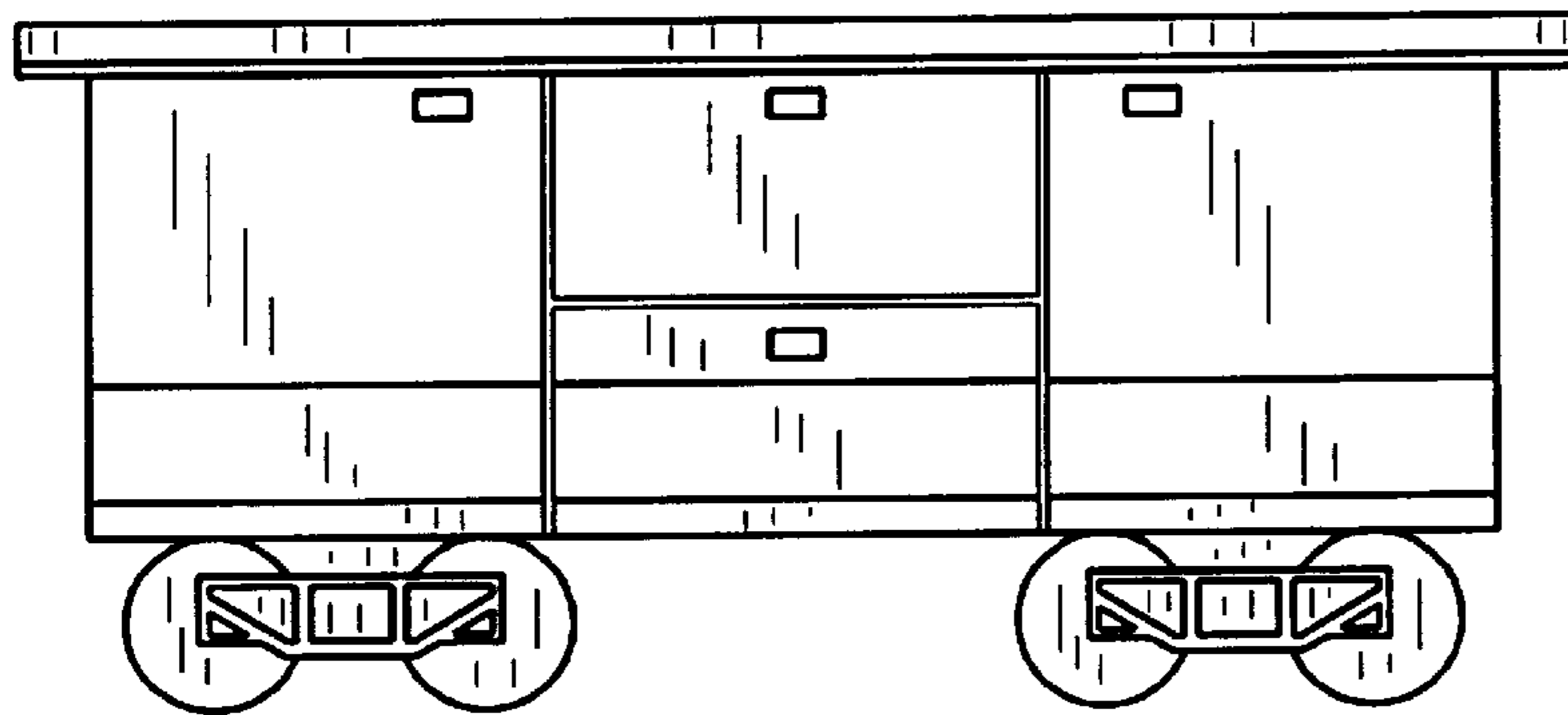


FIG. 2

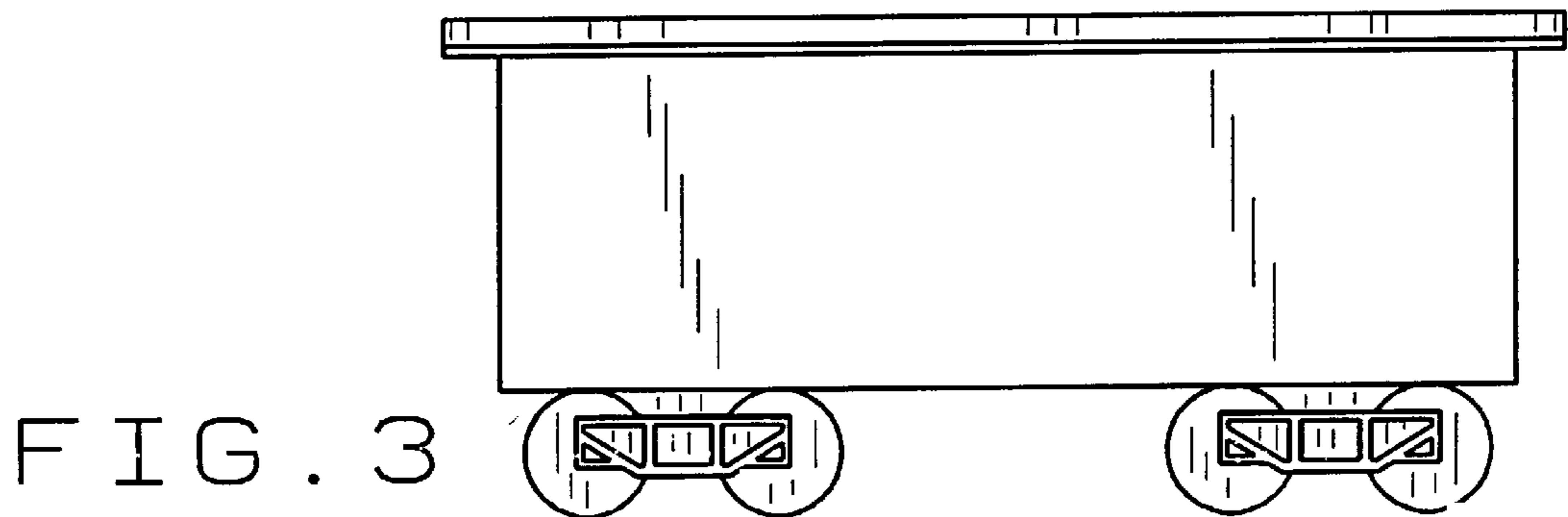


FIG. 3

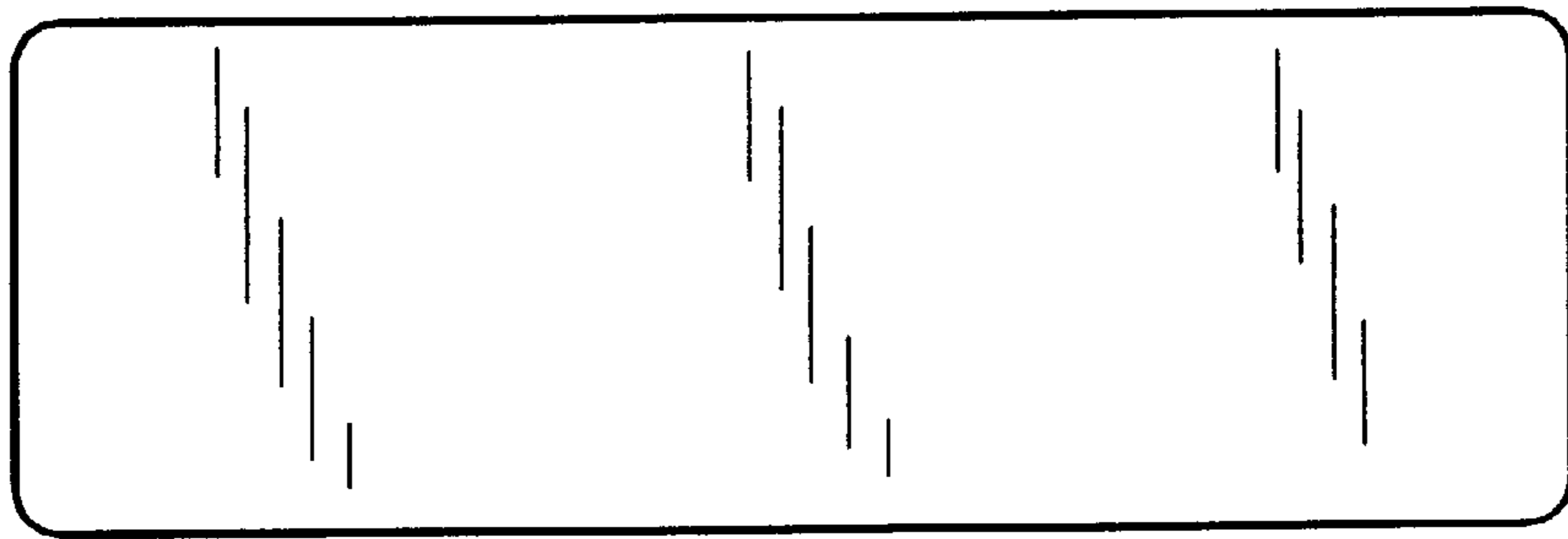


FIG. 4

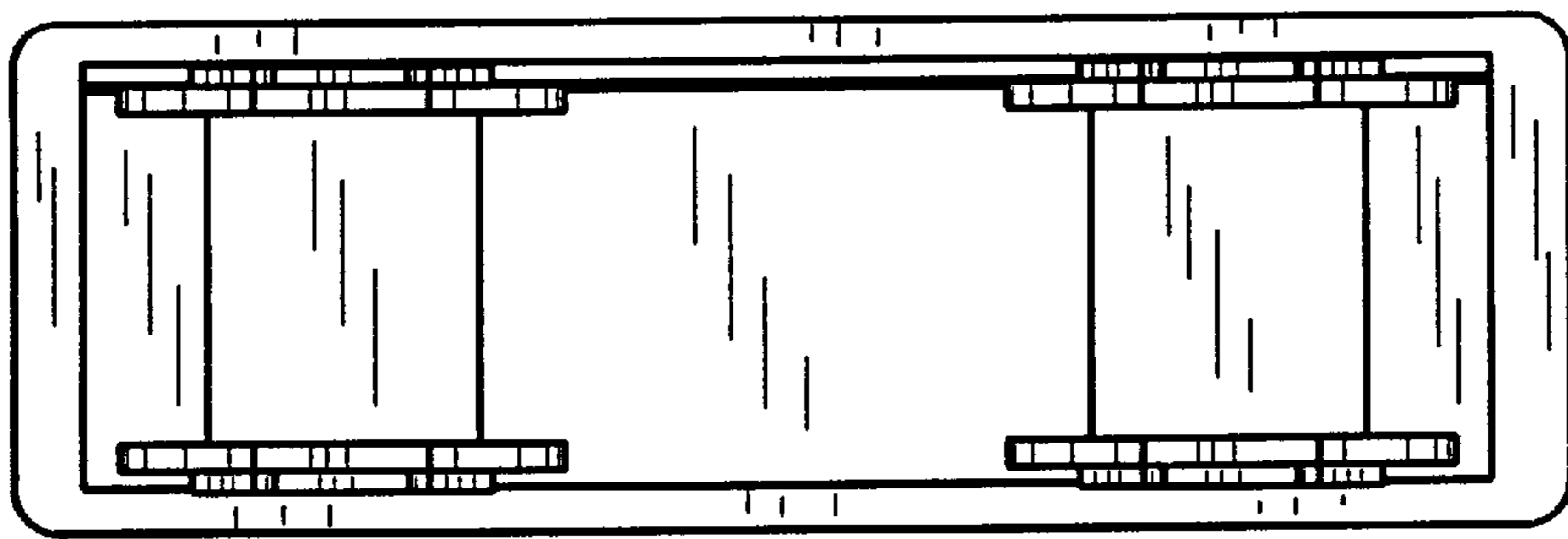


FIG. 5

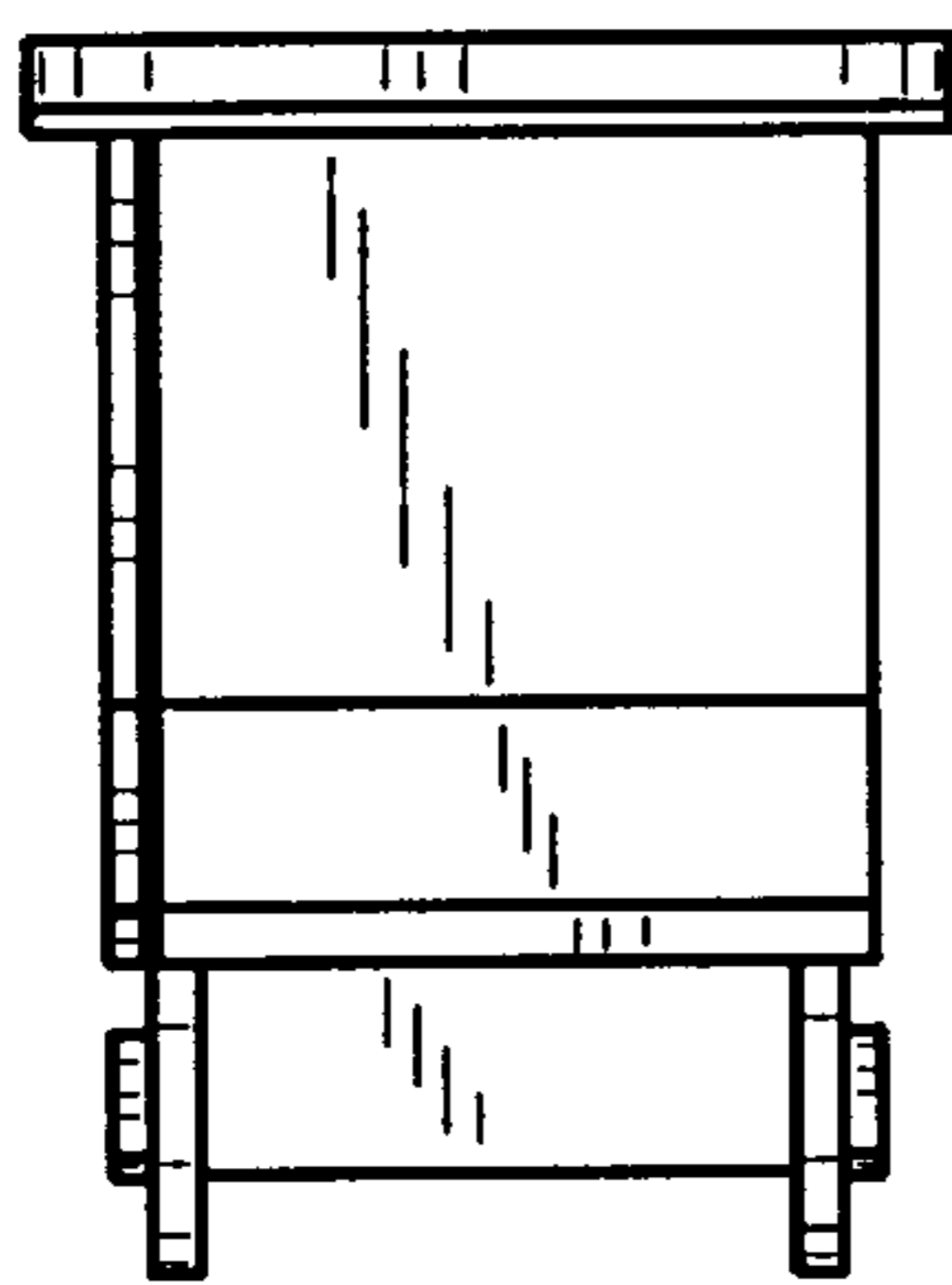


FIG. 6

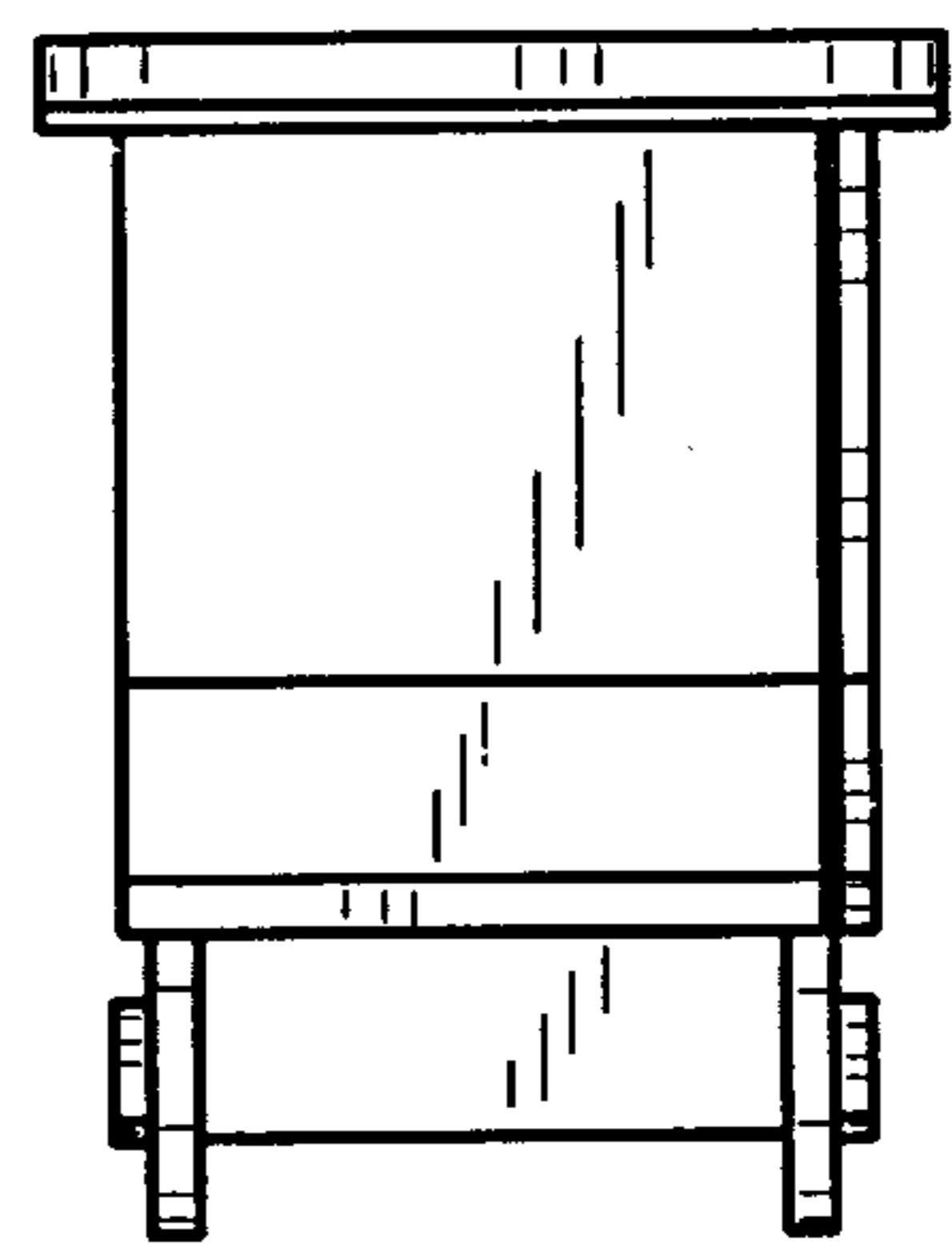


FIG. 7