



US00D409749S

United States Patent [19]
Griswold

[11] **Patent Number: Des. 409,749**

[45] **Date of Patent: ** May 11, 1999**

[54] **CRYOSURGICAL INSTRUMENT**
[75] Inventor: **Thomas A. Griswold**, Ellington, Conn.
[73] Assignee: **Brymill Corporation**, Vernon, Conn.
[**] Term: **14 Years**

Primary Examiner—Pamela Burgess
Attorney, Agent, or Firm—M. P. Williams

[21] Appl. No.: **29/092,359**
[22] Filed: **Aug. 17, 1998**
[51] **LOC (6) Cl.** **24-04**
[52] **U.S. Cl.** **D24/133**
[58] **Field of Search** D24/133, 112;
424/45, 43, 47; 604/289-291, 80-86, 19,
23, 35, 30, 31, 49; D9/544; 128/DIG. 27;
606/20, 22, 26

[57] **CLAIM**

I claim the ornamental design for a cryosurgical instrument, as shown and described.

DESCRIPTION

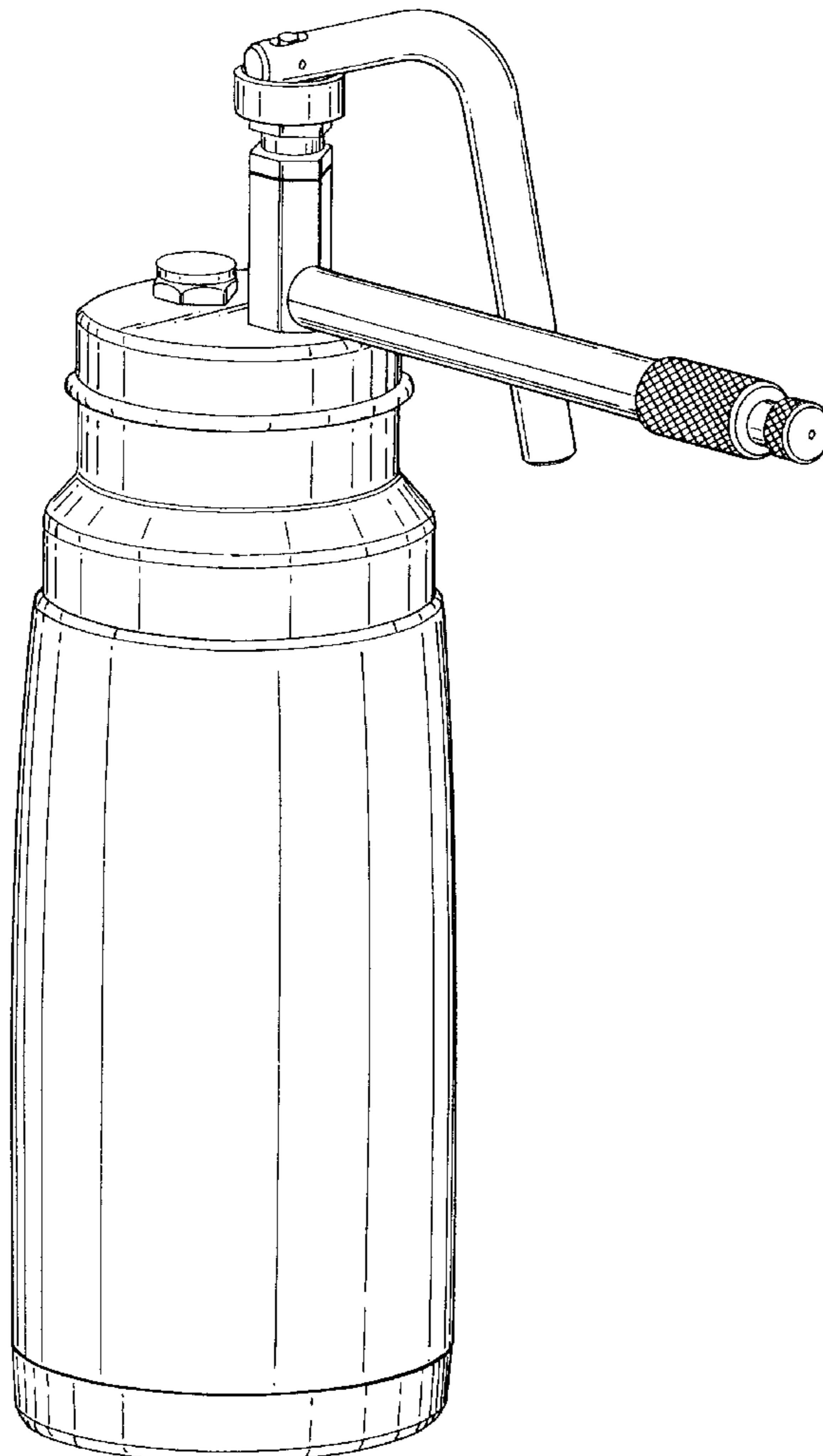
FIG. 1 is a perspective view of the cryosurgical instrument, with a rotatable valve operating lever in a first position. FIG. 2 is a side elevation view of the cryosurgical instrument of FIG. 1 with the valve operating lever in a second position. FIG. 3 is a front elevation view of the cryosurgical instrument of FIG. 1 with the valve operation lever shown solid in the second position and in phantom in a third and fourth position. FIG. 4 is a top plan view of the cryosurgical instrument of FIG. 1 with the valve operating lever in the second position; and, FIG. 5 is an bottom plan view of the cryosurgical instrument of FIG. 1 with the valve operating lever in the second position.

[56] **References Cited**

U.S. PATENT DOCUMENTS

D. 225,691	12/1972	Pulos	D24/133
D. 387,863	12/1997	Herman et al.	D24/133
4,865,028	9/1989	Swart	606/23
5,330,745	7/1994	McDow	424/45
5,516,505	5/1996	McDow	604/49 X

1 Claim, 3 Drawing Sheets



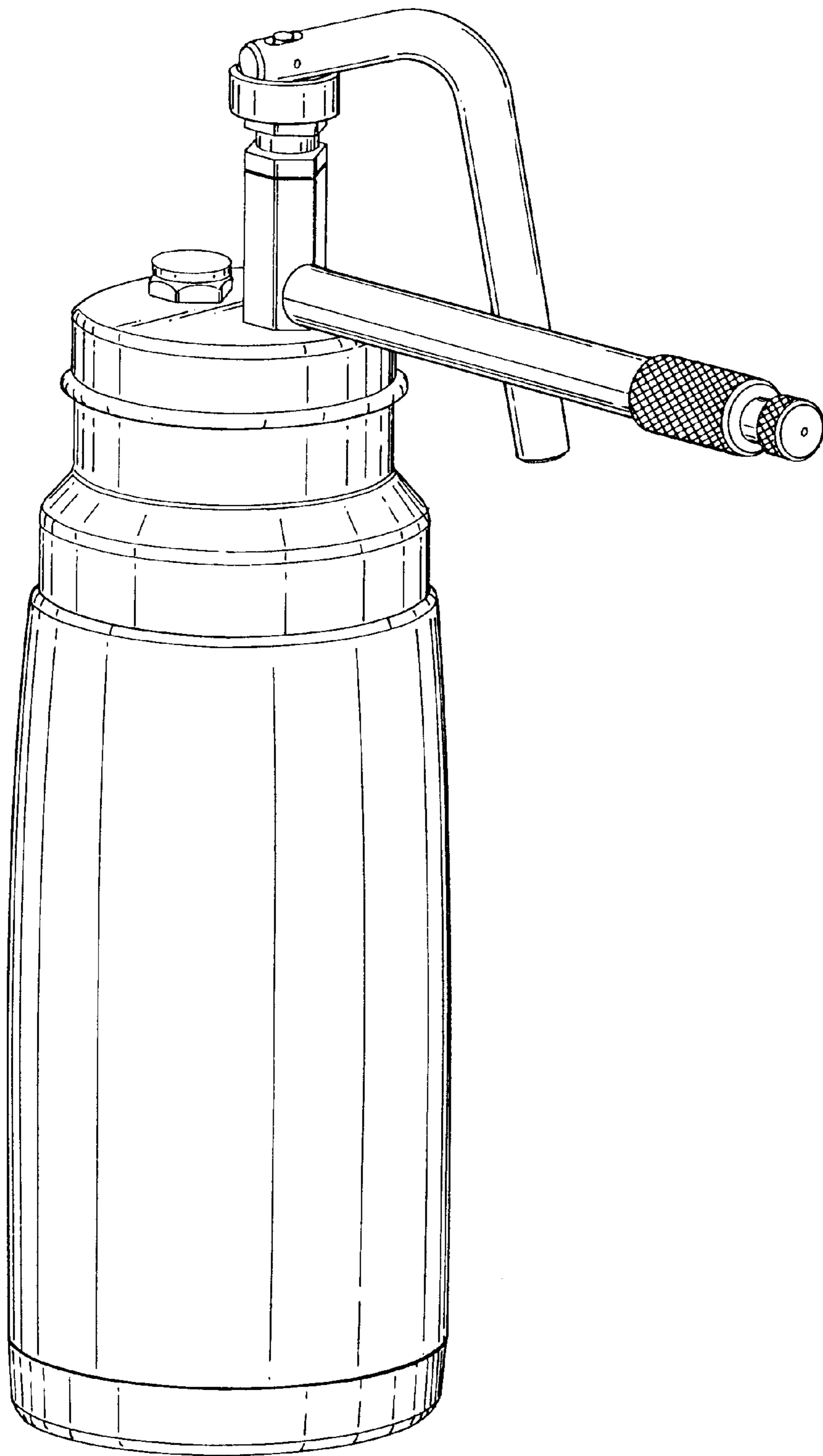


FIG. 1

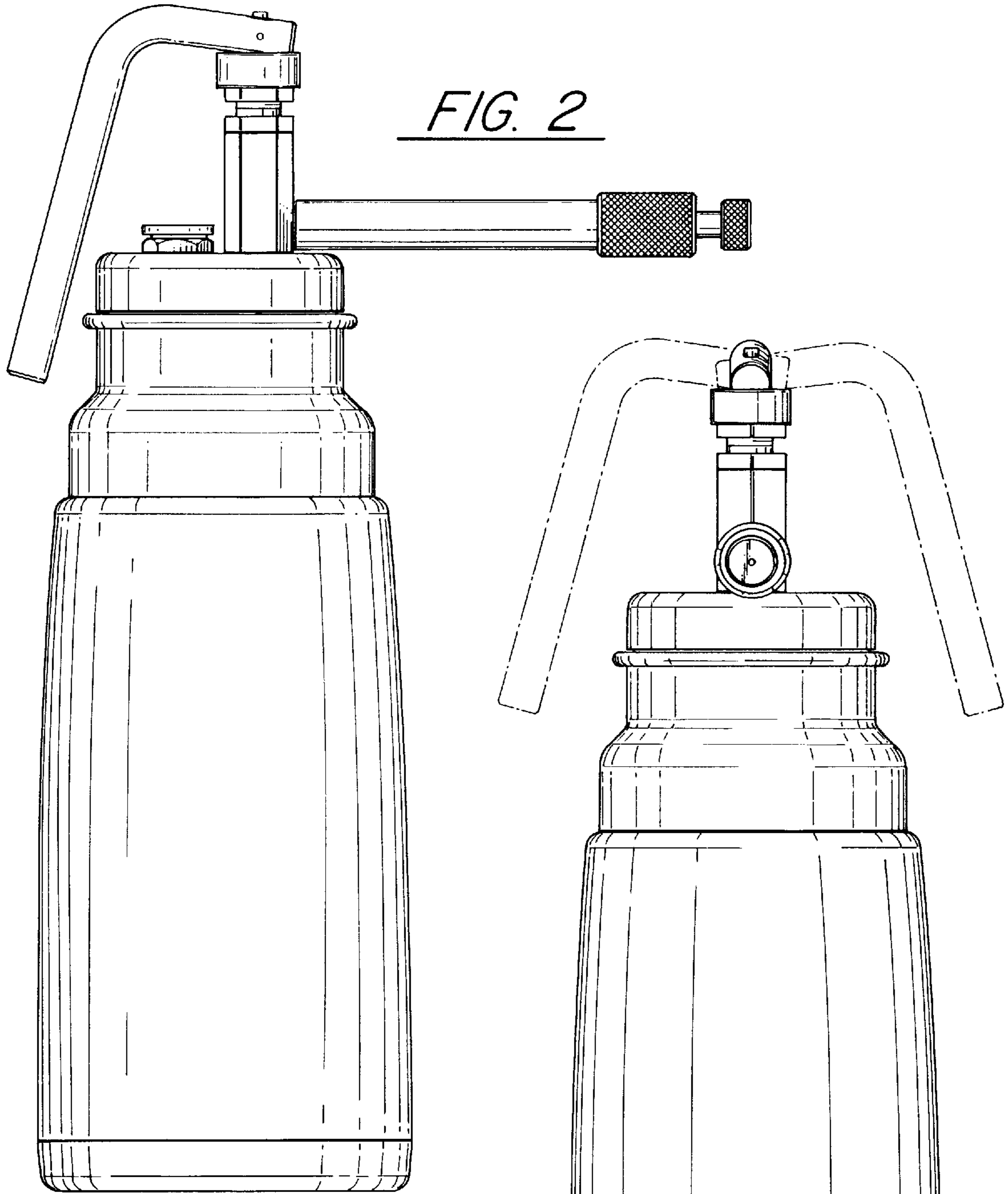


FIG. 2

FIG. 3

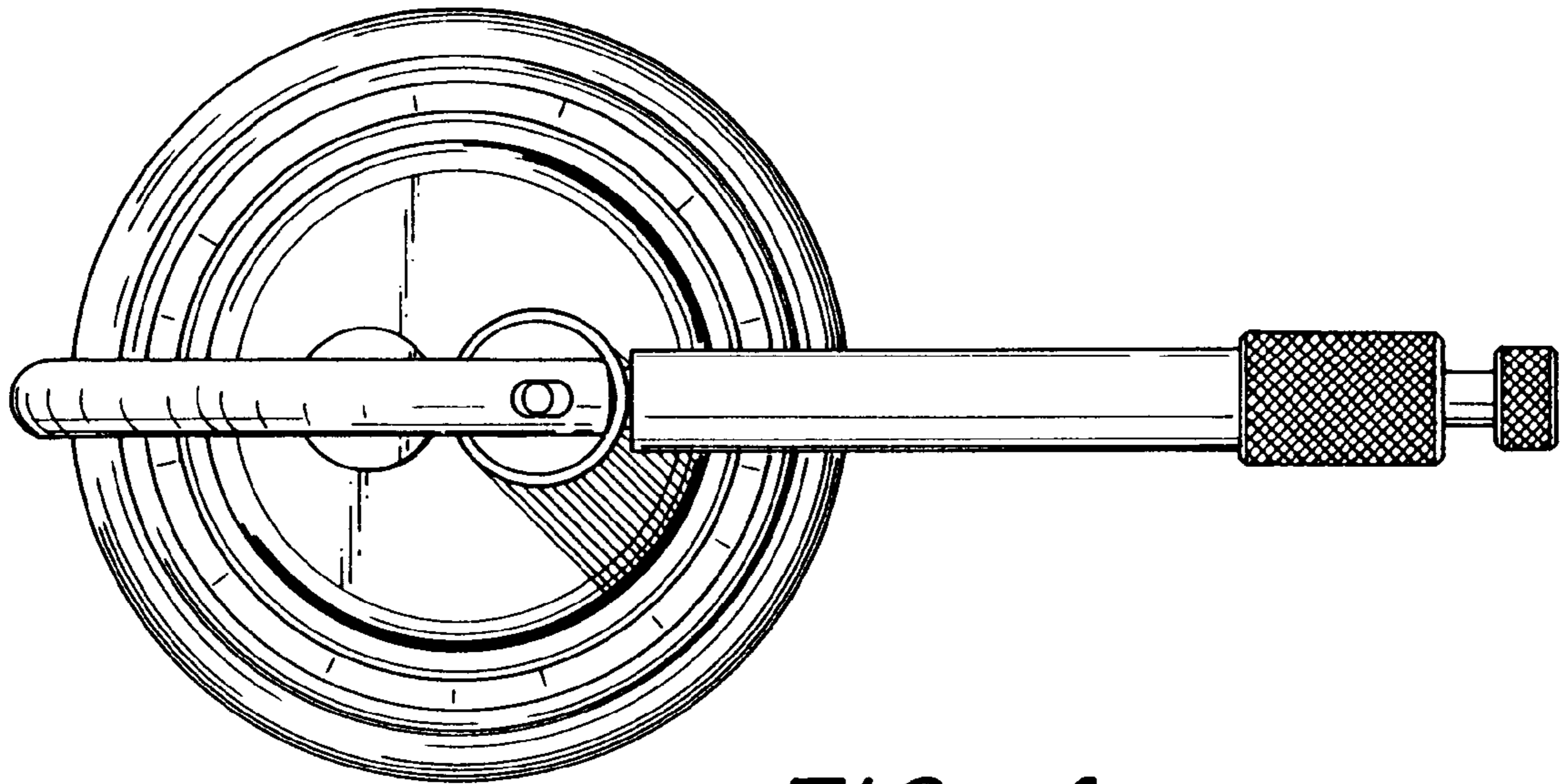


FIG. 4

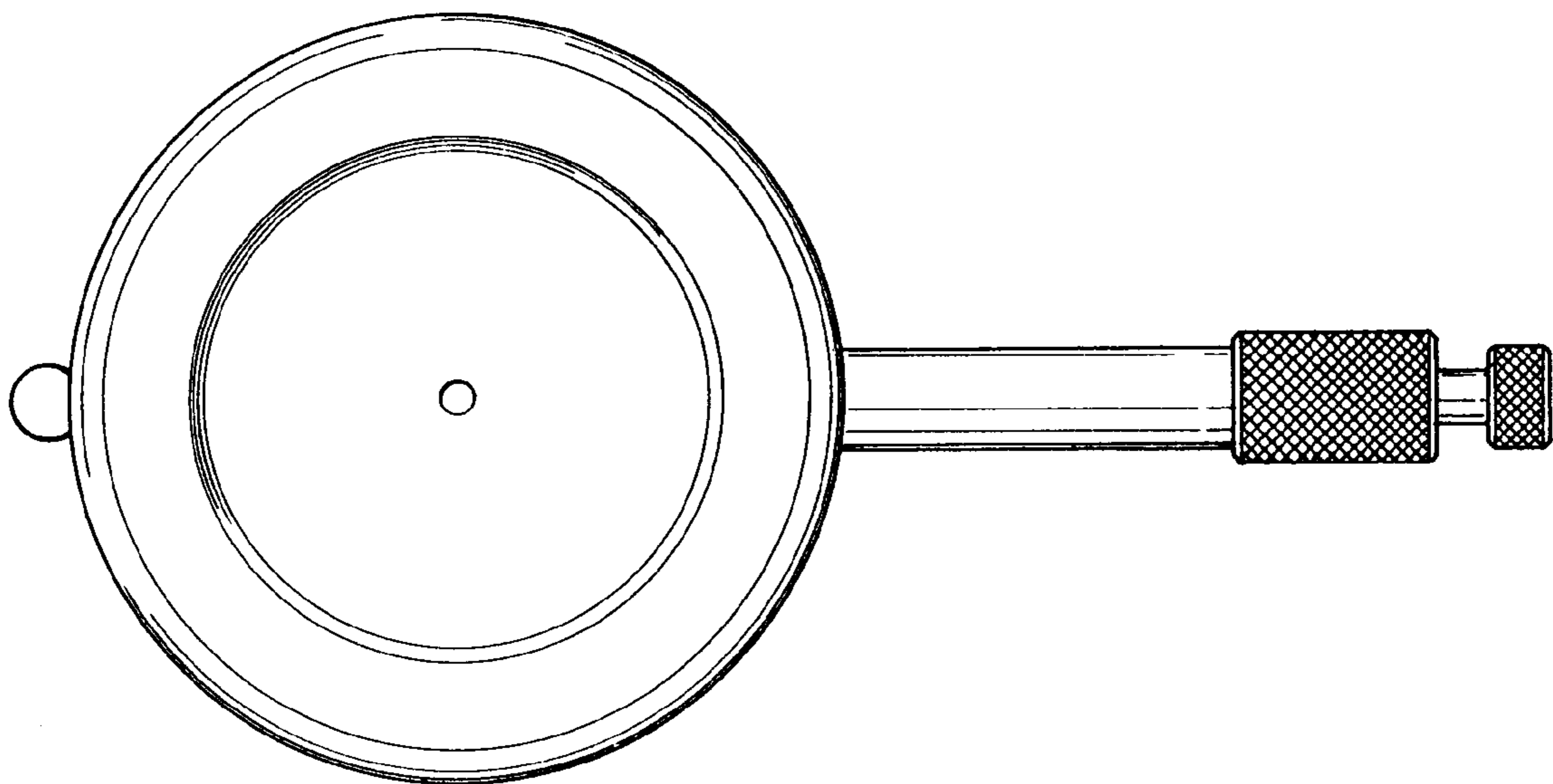


FIG. 5