

US00D409748S

United States Patent [19]

[11] Patent Number: **Des. 409,748**

Lanigan et al.

[45] Date of Patent: **** May 11, 1999**

[54] **DISPOSABLE CASSETTE FOR BEDSIDE PHARMACY SYSTEM**

[75] Inventors: **Richard Lanigan**, Concord, N.H.;
Charles M. Grinnell, Groton, Mass.;
Kevin Grant, Manchester; **Marc A. Mandro**, Bow, both of N.H.

4,673,389	6/1987	Archibald et al.	604/81
4,946,439	8/1990	Eggers	604/67
4,950,235	8/1990	Slate et al.	604/65
5,006,110	4/1991	Garrison et al.	604/65
5,153,511	10/1992	Lee	324/115
5,219,331	6/1993	Vanderveen	604/81
5,662,611	9/1997	Beiser et al.	604/118
5,681,285	10/1997	Ford et al.	604/65

[73] Assignee: **Deka Products Limited Partnership**,
Manchester, N.H.

Primary Examiner—Pamela Burgess
Attorney, Agent, or Firm—Bromberg & Sunstein LLP

[**] Term: **14 Years**

[57] CLAIM

[21] Appl. No.: **29/075,762**

We claim the ornamental design for a disposable cassette for bedside pharmacy system, as shown.

[22] Filed: **Aug. 22, 1997**

DESCRIPTION

[51] **LOC (6) Cl.** **24-04**

[52] **U.S. Cl.** **D24/127**

[58] **Field of Search** D24/127, 107,
D24/140, 129, 232; 604/67, 81, 246, 49,
151, 65, 66, 80, 245, 118; 364/147, 710,
706; 128/630, DIG. 13; D10/81

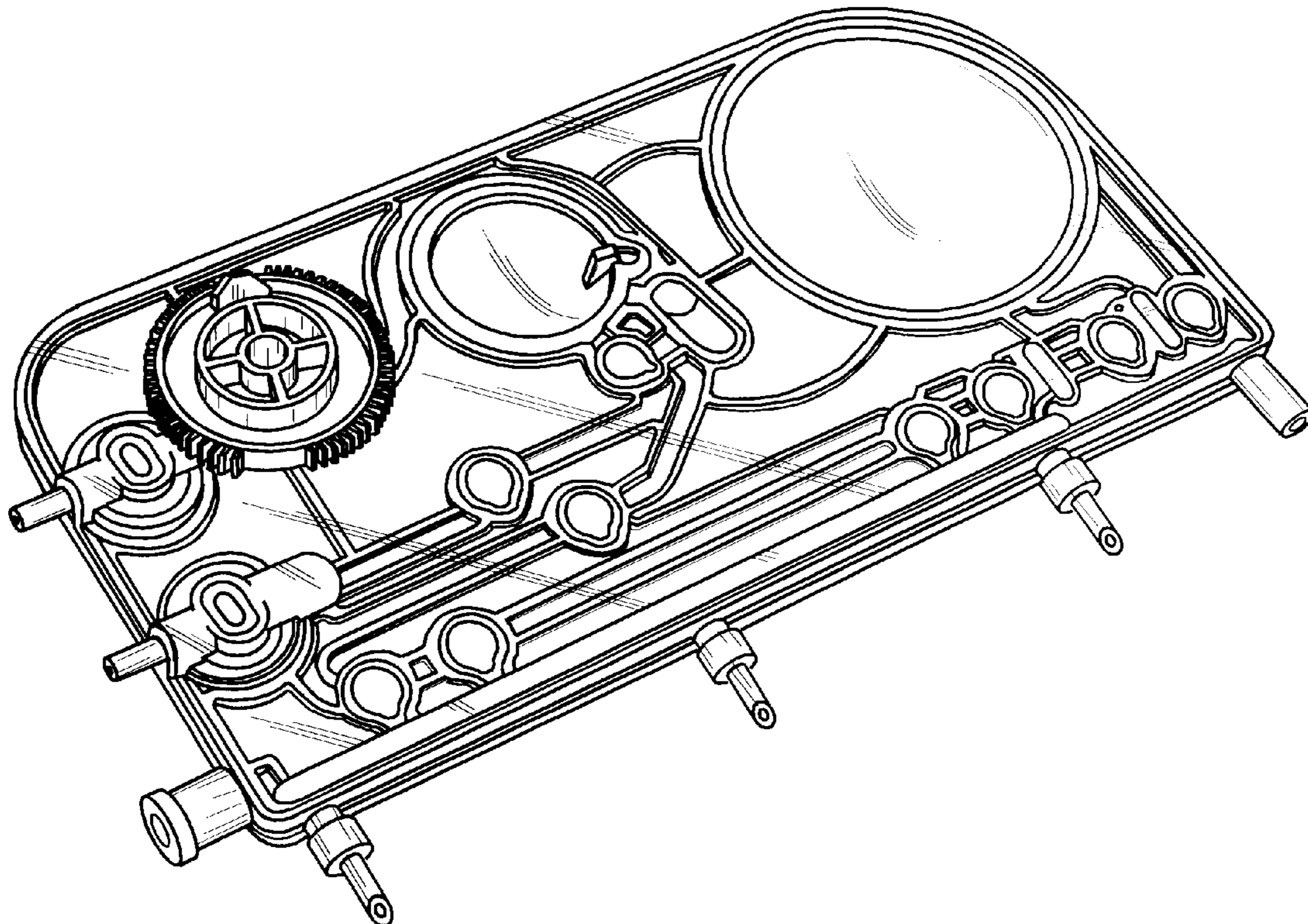
FIG. 1 is a perspective view of a disposable cassette for bedside pharmacy system according to our invention; FIG. 2 is a front elevational view of the item shown in FIG. 1; FIG. 3 is a top plan view of the item shown in FIG. 1; FIG. 4 is a rear elevational view of the item shown in FIG. 1; FIG. 5 is a bottom plan view of the item shown in FIG. 1; FIG. 6 is a left side elevational view; and, FIG. 7 is a right side elevational view.

[56] References Cited

U.S. PATENT DOCUMENTS

D. 334,065	3/1993	Collister	D24/232
4,553,958	11/1985	LeCocq	604/67
4,608,042	8/1986	Vanderveen et al.	604/81

1 Claim, 2 Drawing Sheets



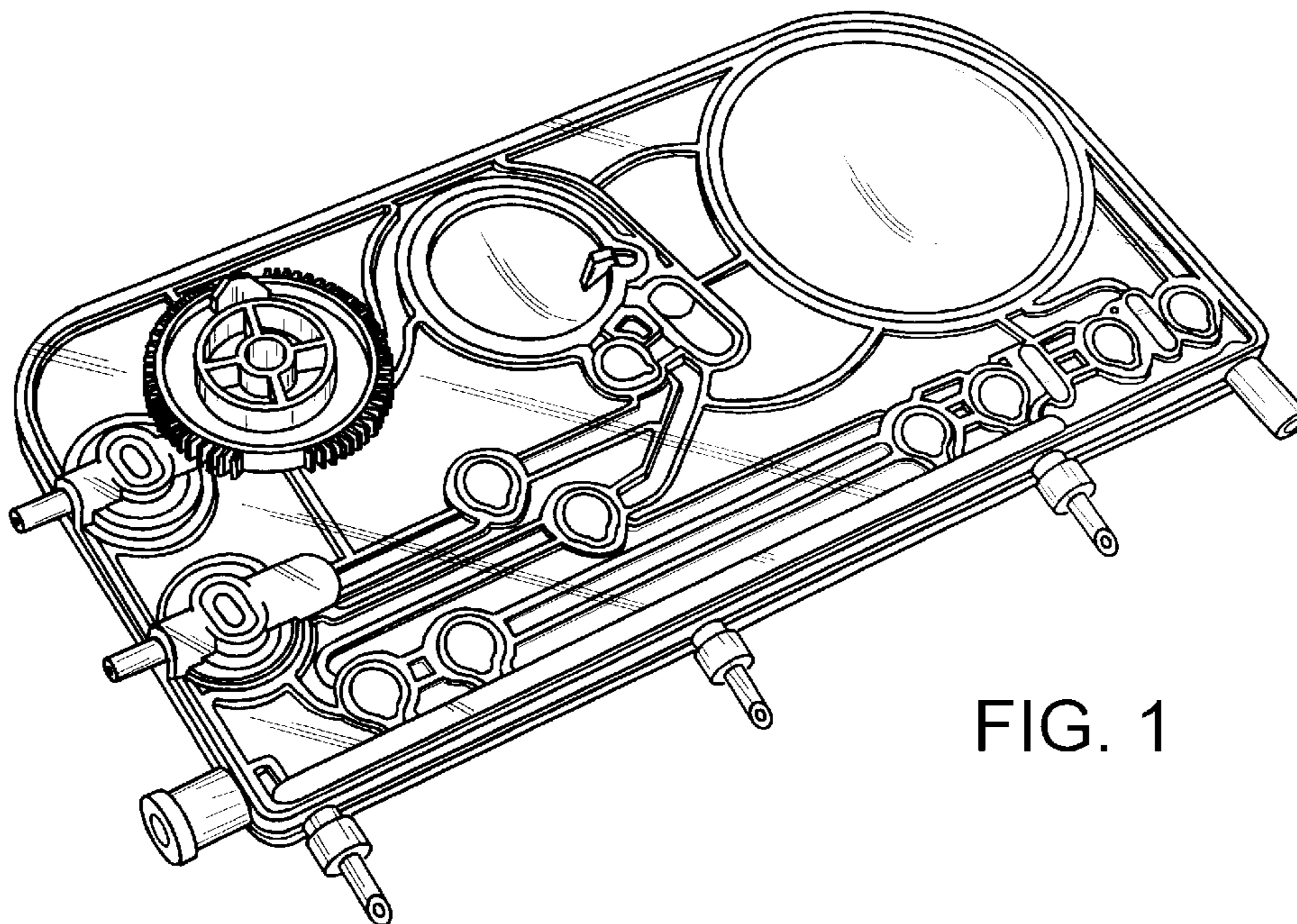


FIG. 1

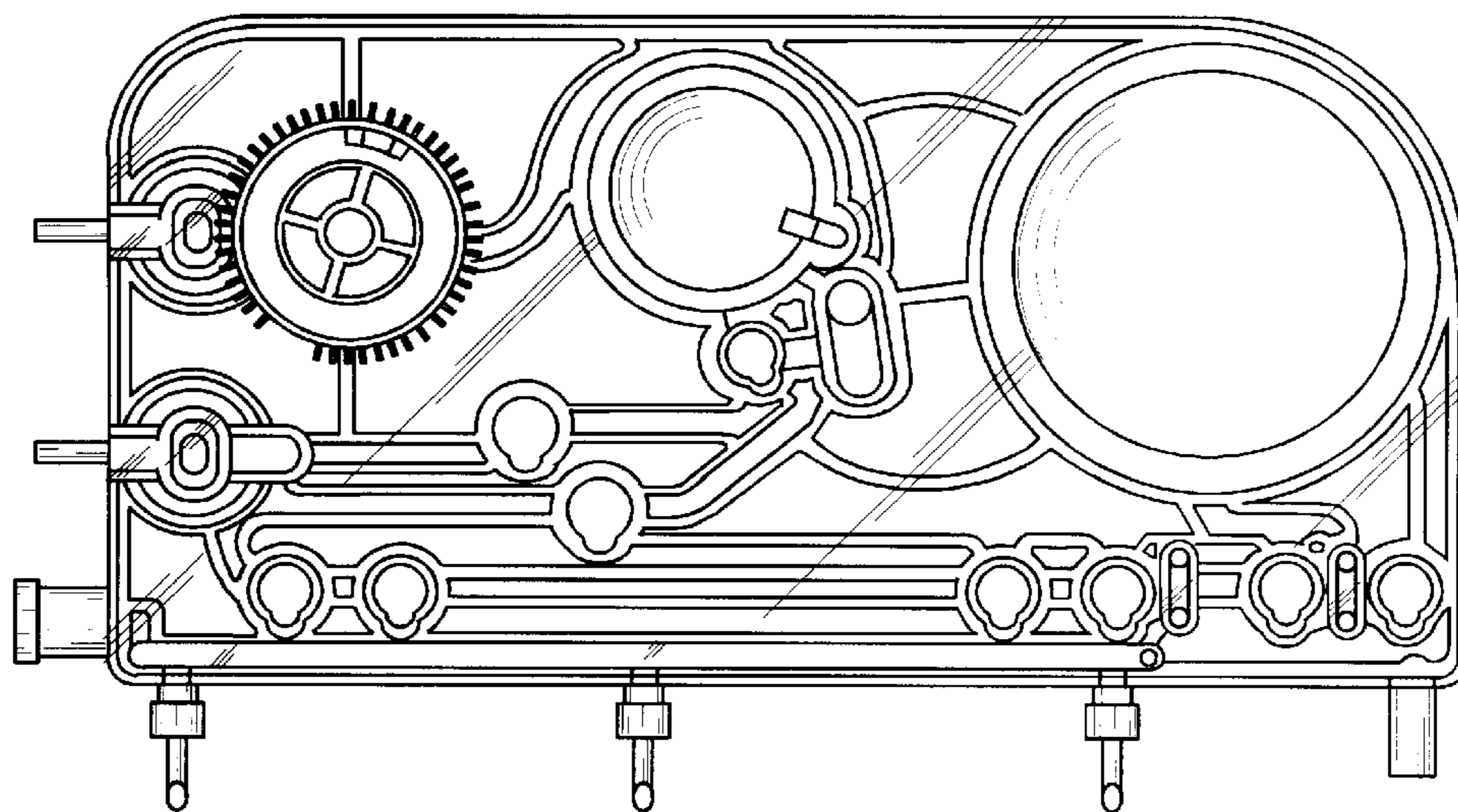


FIG. 2

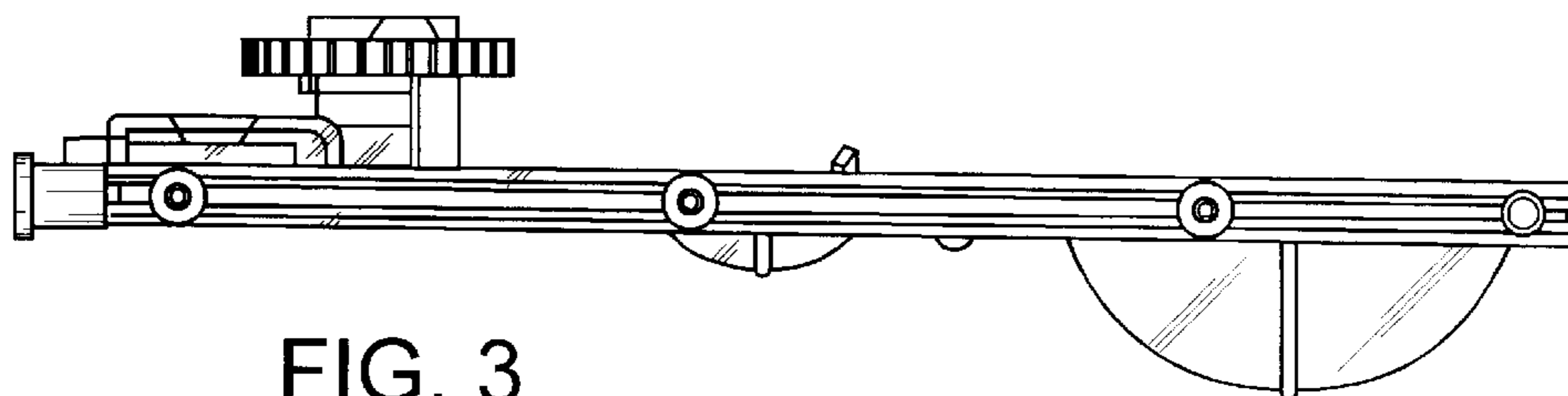


FIG. 3

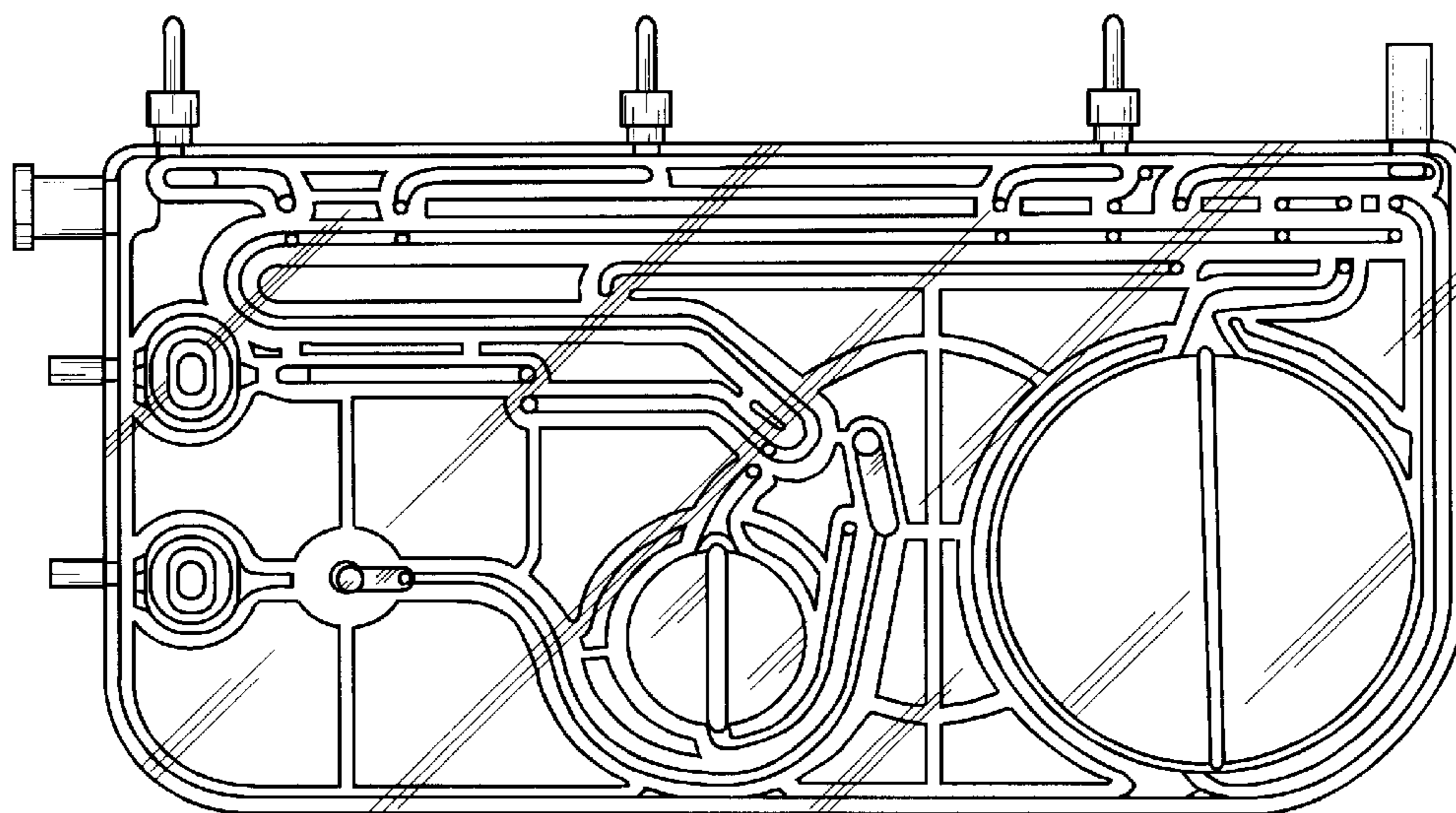


FIG. 4

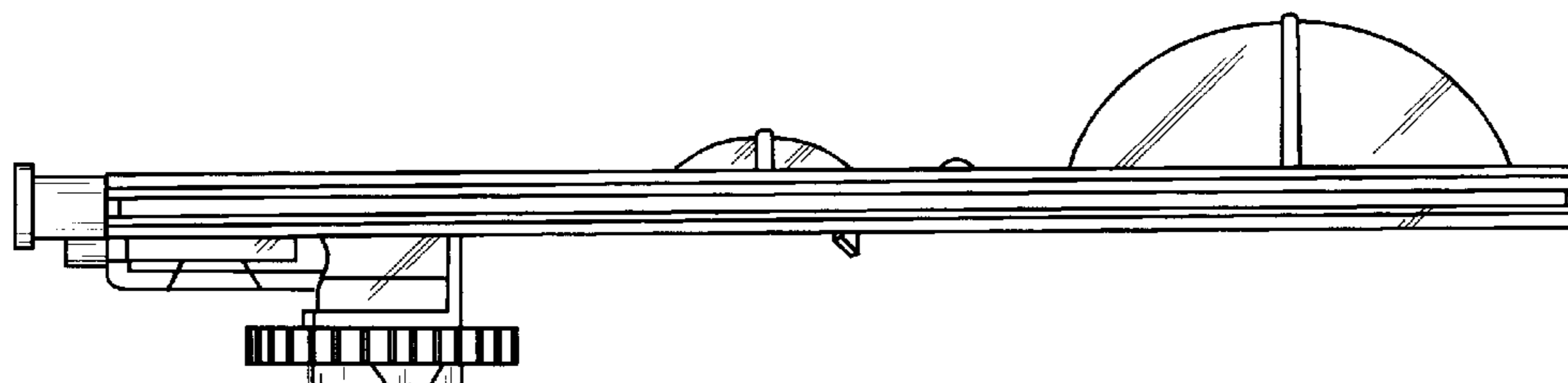


FIG. 5

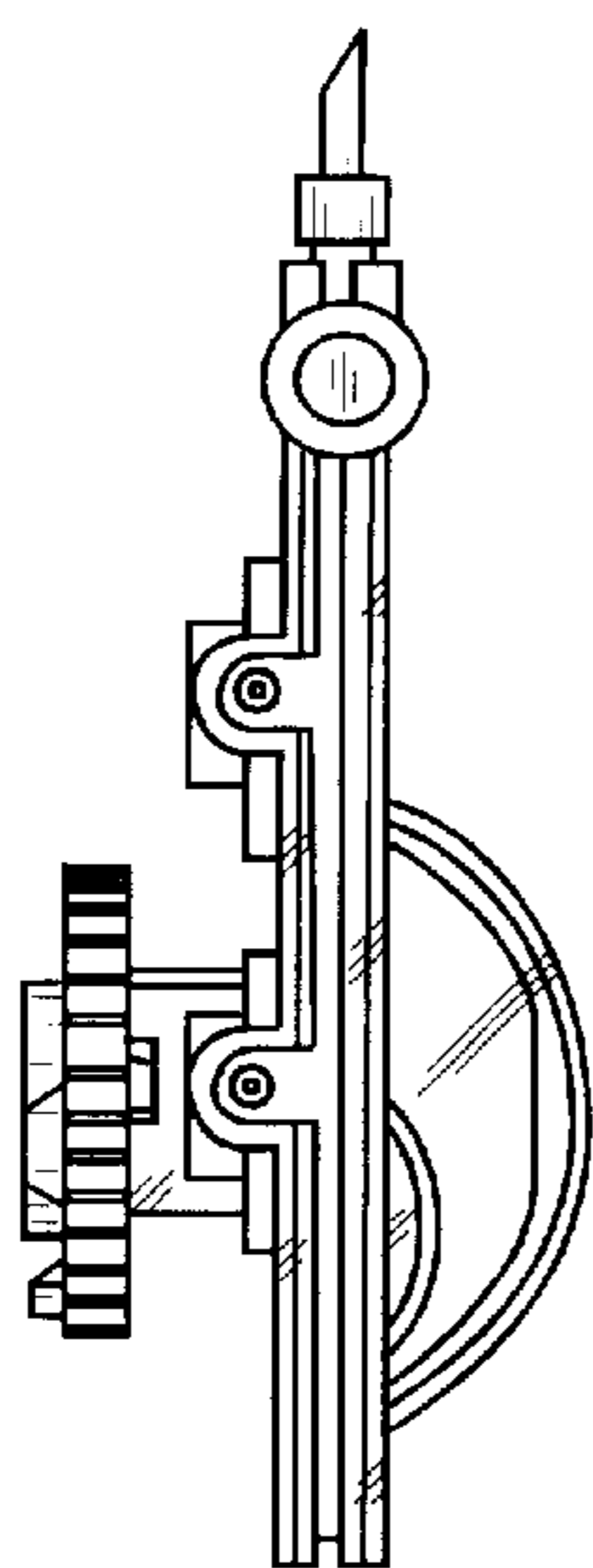


FIG. 6

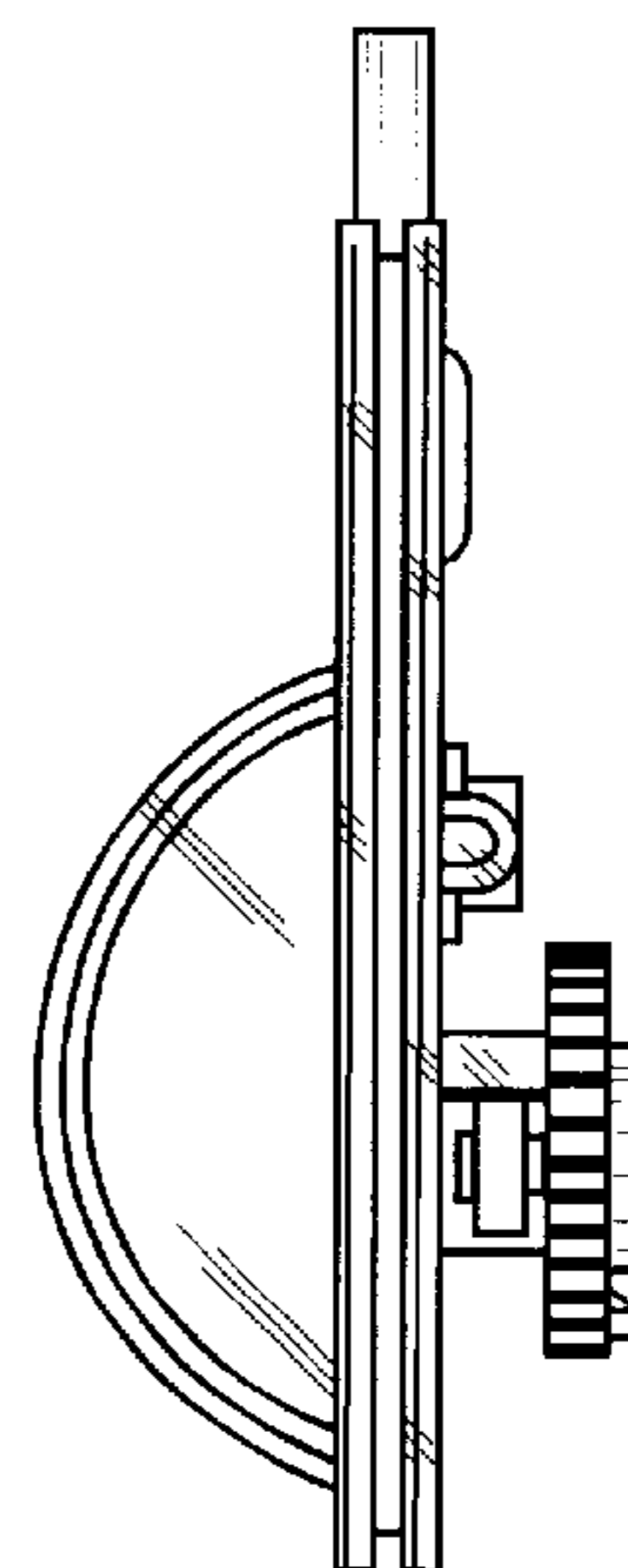


FIG. 7