



US00D409747S

United States Patent [19] Aiken

[11] Patent Number: Des. 409,747

[45] Date of Patent: ** May 11, 1999

[54] URINE SPECIMEN COLLECTOR

3,878,571 4/1975 Seeley .

[76] Inventor: **Manuela Aiken**, 577 Four Winds Way,
Mississauga, Ontario, Canada, L5R
3M4

Primary Examiner—Susan J. Lucas
Assistant Examiner—Cynthia E. Ramirez
Attorney, Agent, or Firm—Barrigar & Moss

[**] Term: 14 Years

[57] CLAIM

[21] Appl. No.: 29/070,173

The ornamental design for a urine specimen collector, as shown and described.

[22] Filed: May 1, 1997

DESCRIPTION

[30] Foreign Application Priority Data

Nov. 6, 1996 [CA] Canada 1996-2539

[51] LOC (6) Cl. 24-04

[52] U.S. Cl. D24/122

[58] Field of Search D24/123, 224,
D24/121, 122, 229, 216, 227; 4/144.1,
144.2, 144.3, 144.4; 604/327, 331, 346,
347, 349, 350, 351, 353

FIG. 1 is a perspective view taken from one side showing a first representation of the design with the two members of the collector detached;

FIG. 2 is a top view of said first representation of the design with the two members of the collector attached;

FIG. 3 is a side elevation of said first representation with the two members of the collector detached;

FIG. 4 is a bottom view of said first representation of the design;

FIG. 5 is an end elevation of said first representation with the two members of the collector detached;

FIG. 6 is a perspective view taken from below and from one side showing the first representation with the two members of the collector attached; and,

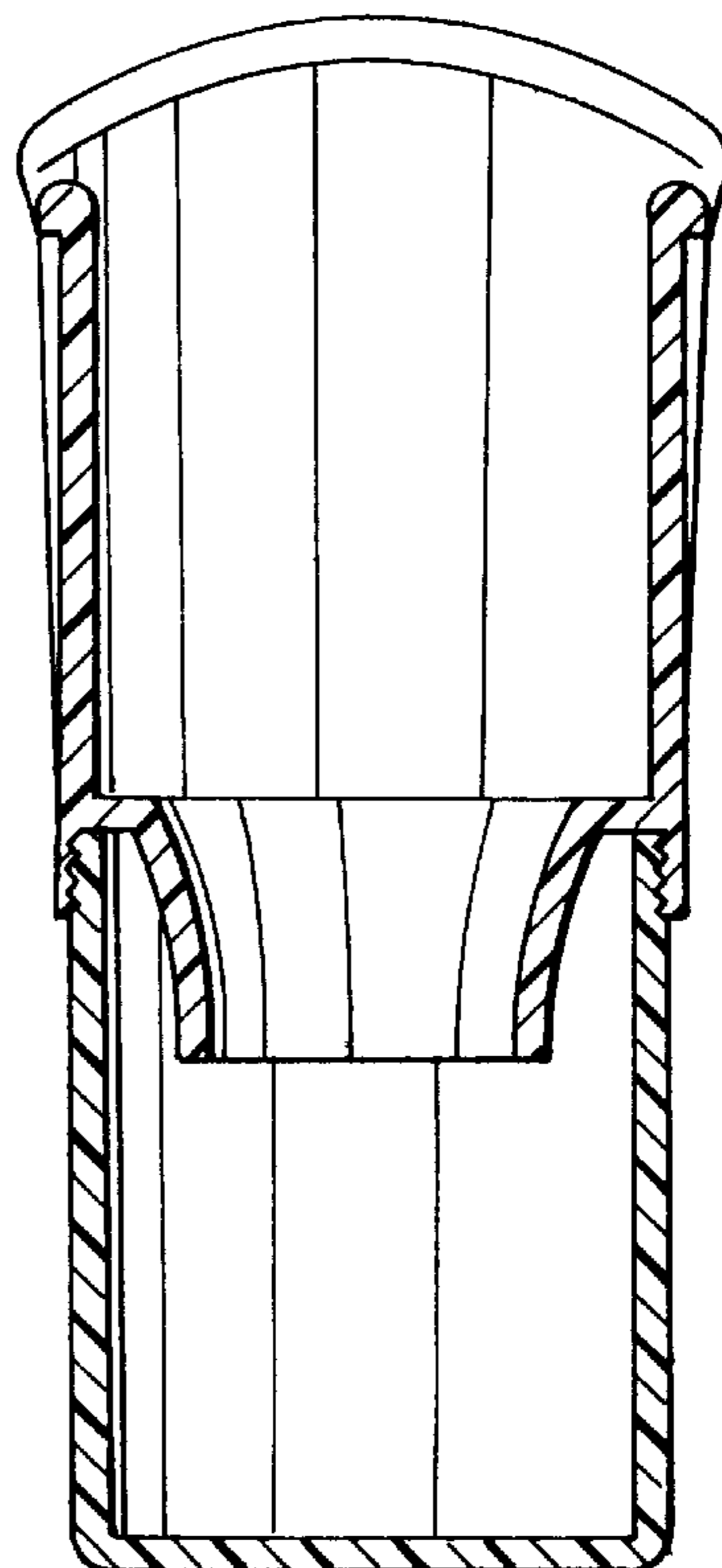
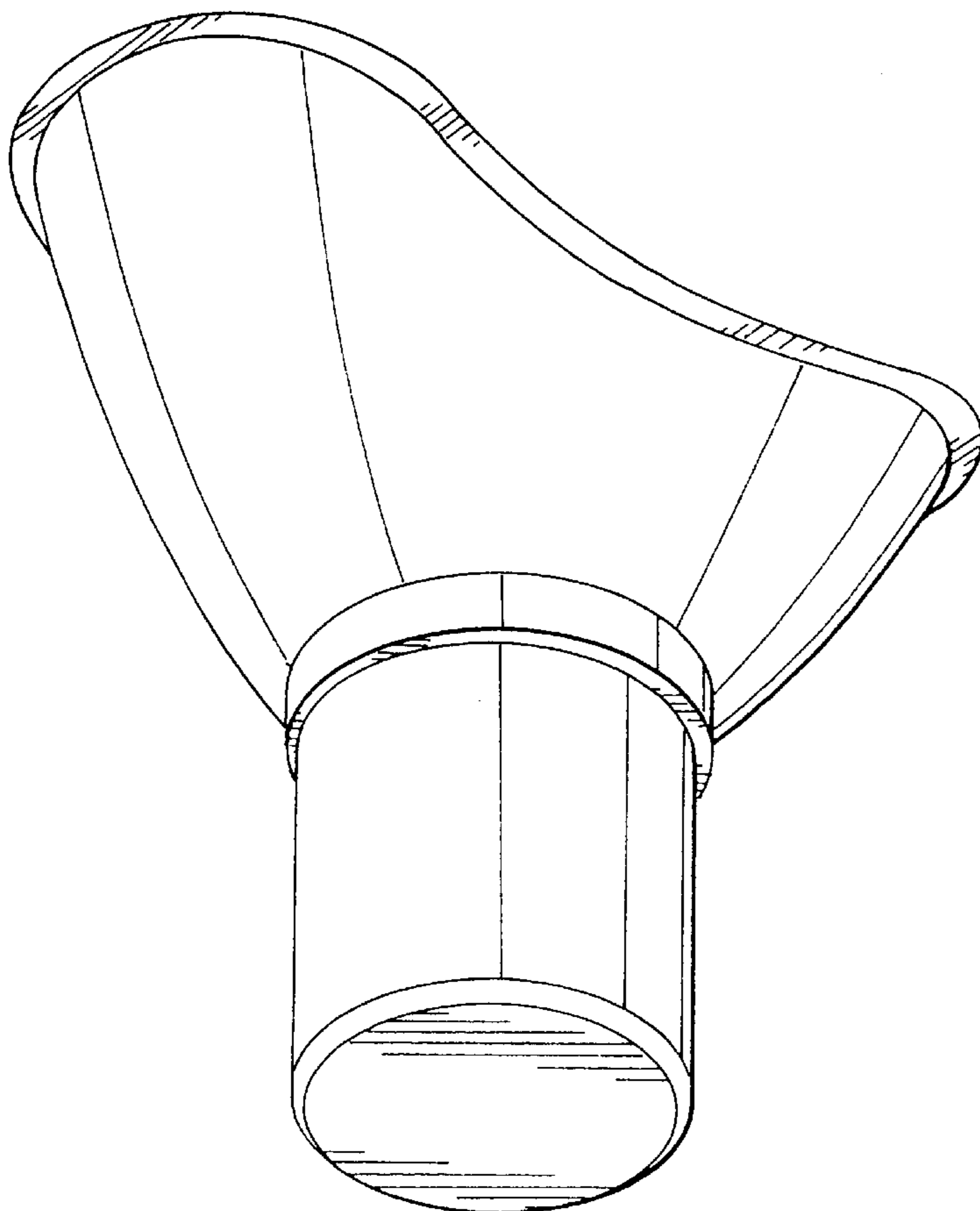
FIG. 7 is a transverse cross-sectional elevation taken along the line VII—VII of FIG. 2.

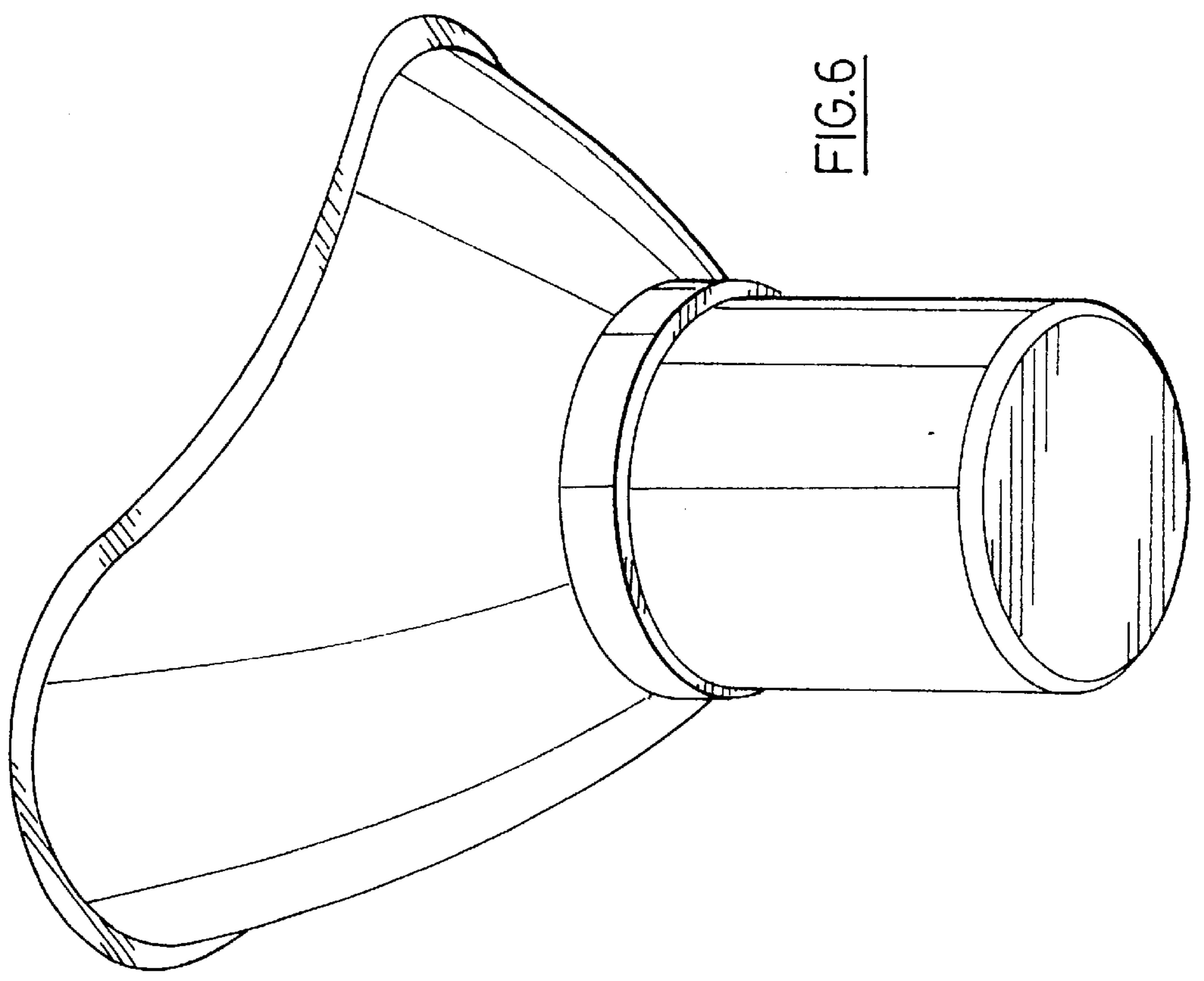
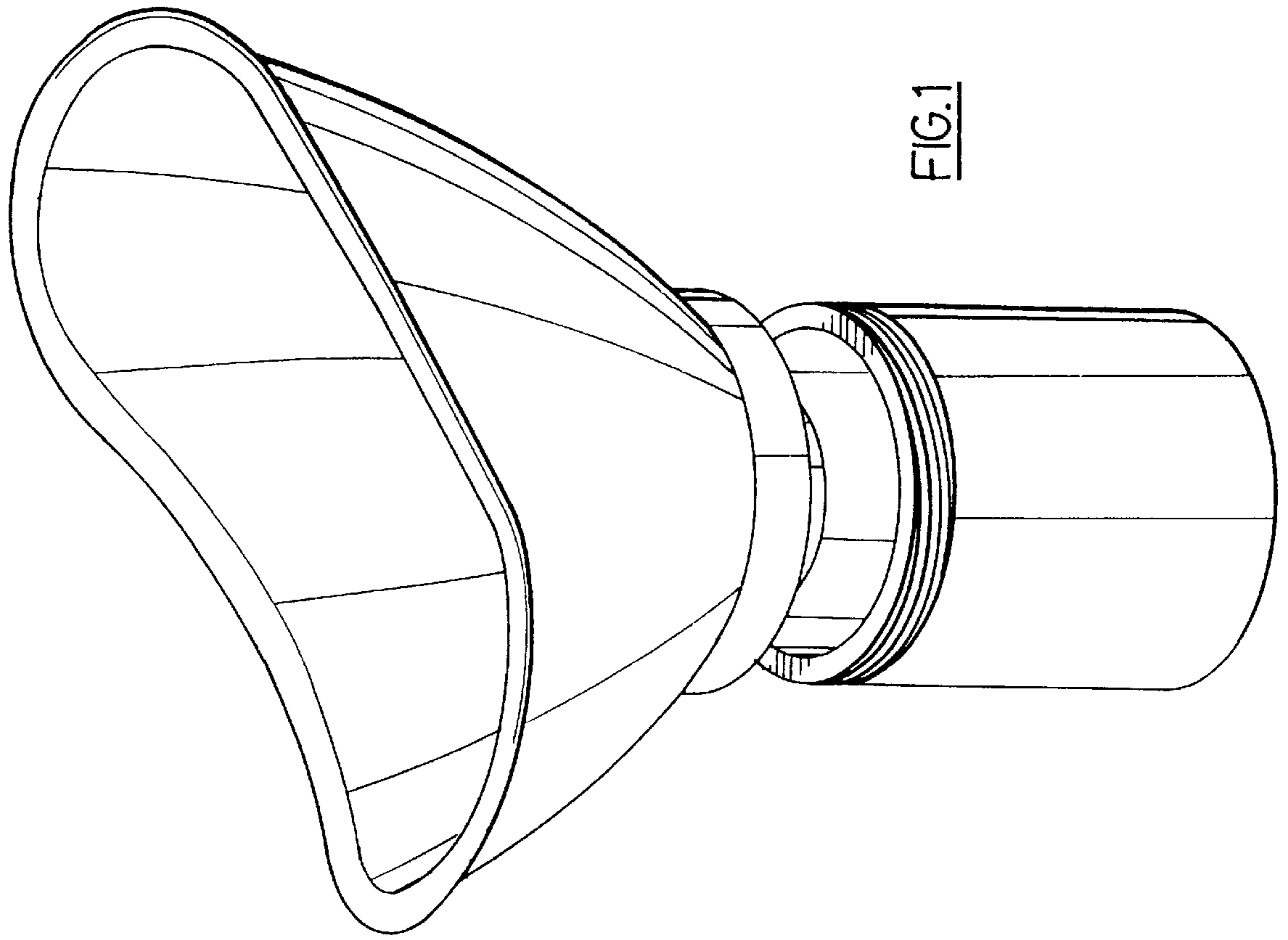
[56] References Cited

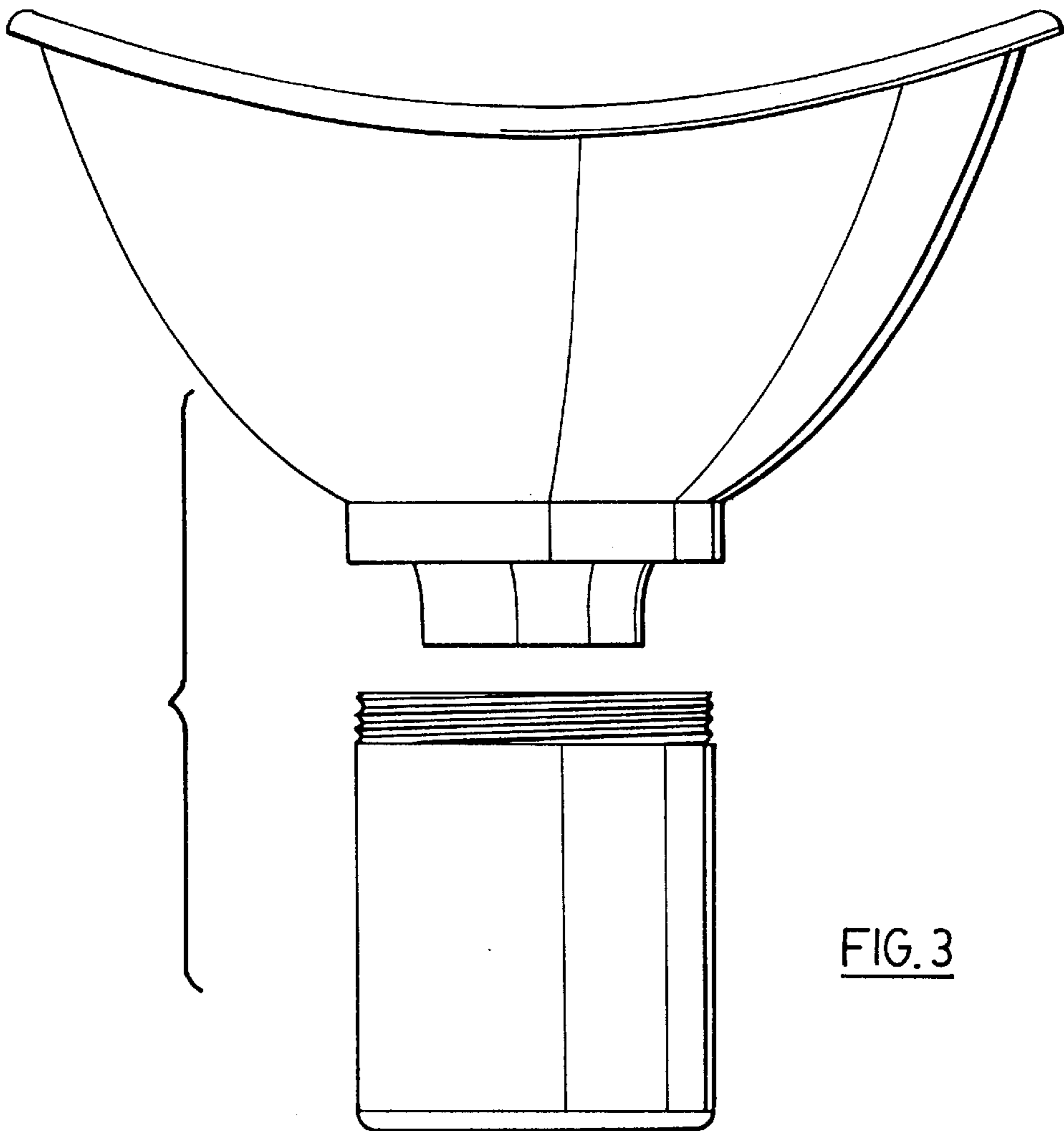
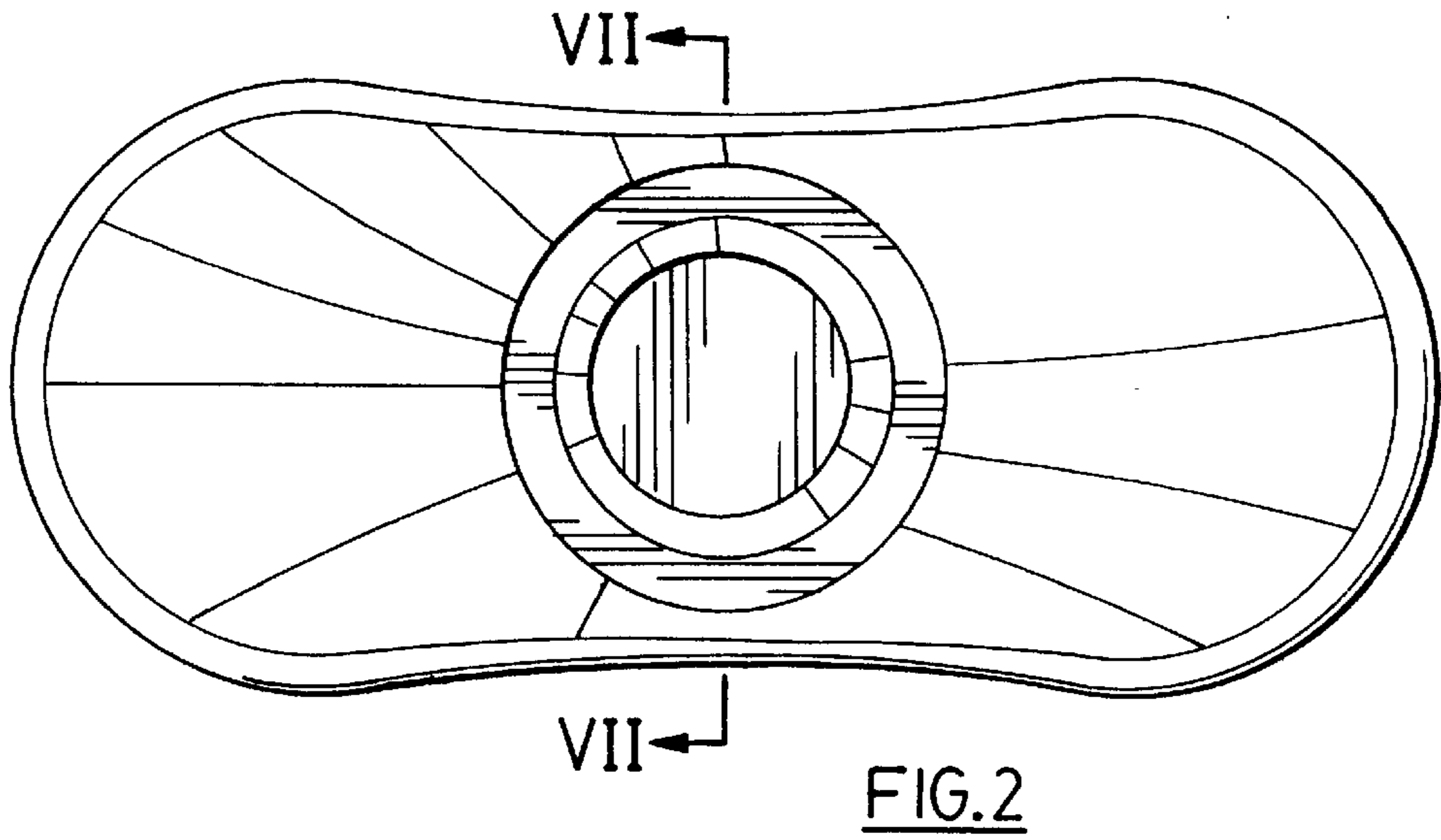
U.S. PATENT DOCUMENTS

- D. 227,413 6/1973 Shering D24/122
- D. 267,118 11/1982 Burnett D24/122
- D. 279,312 6/1985 Pohlman .
- D. 287,402 12/1986 Orsing .
- D. 348,731 7/1994 Crawford D24/122
- 3,711,871 1/1973 Sherin .

1 Claim, 3 Drawing Sheets







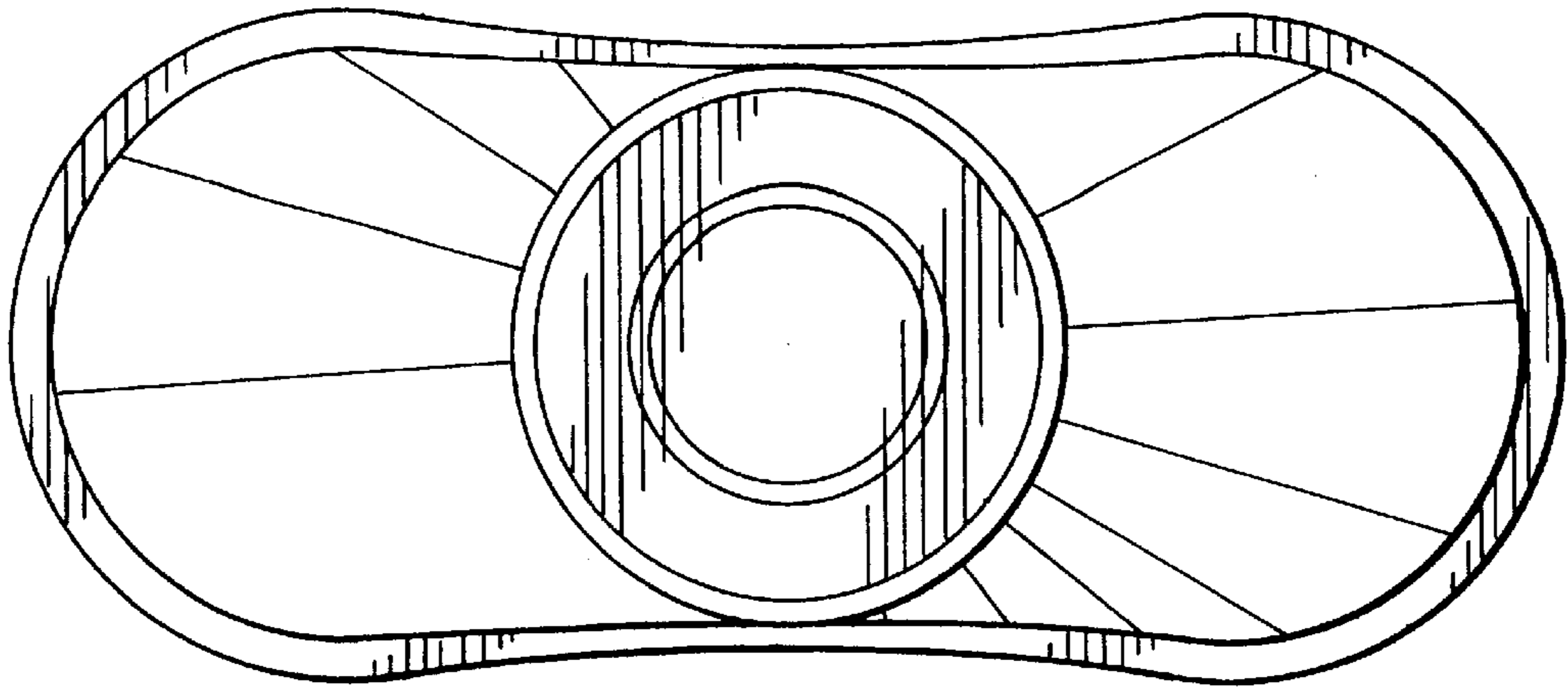


FIG. 4

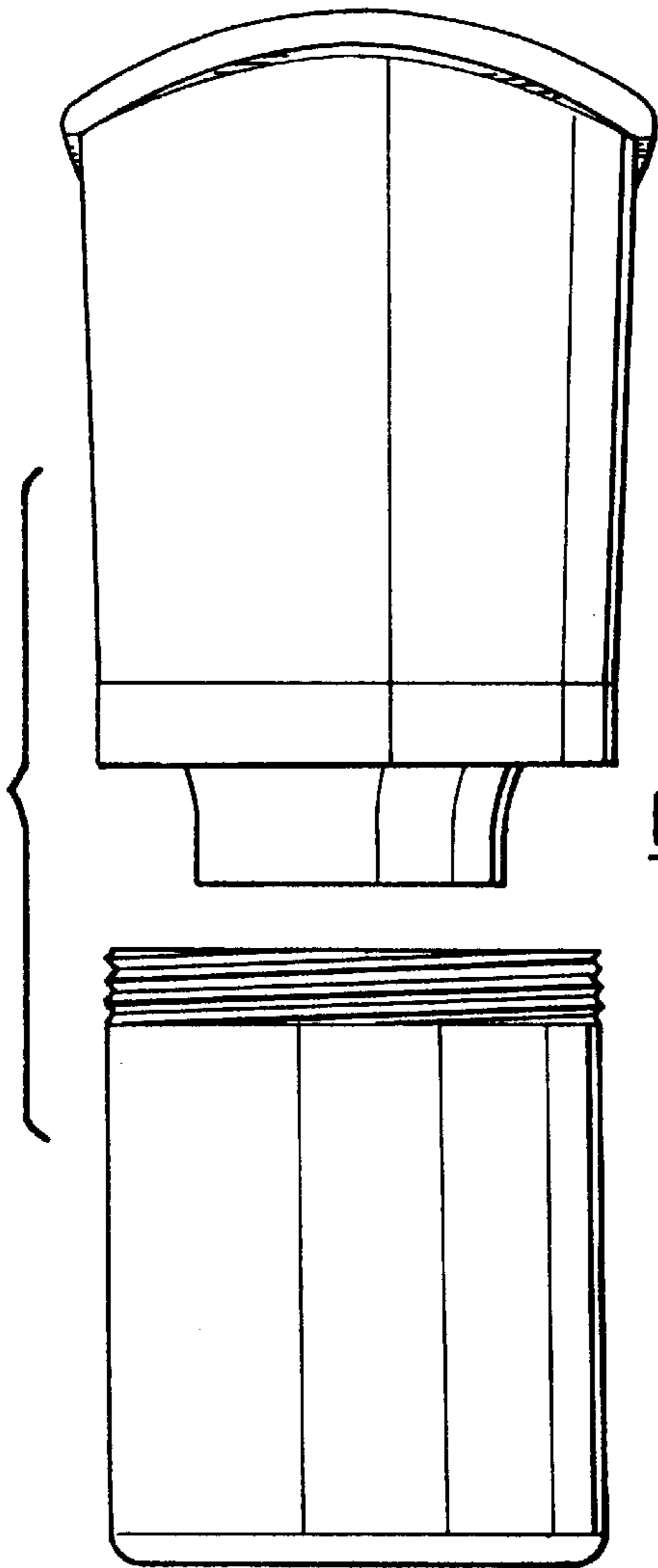


FIG. 5

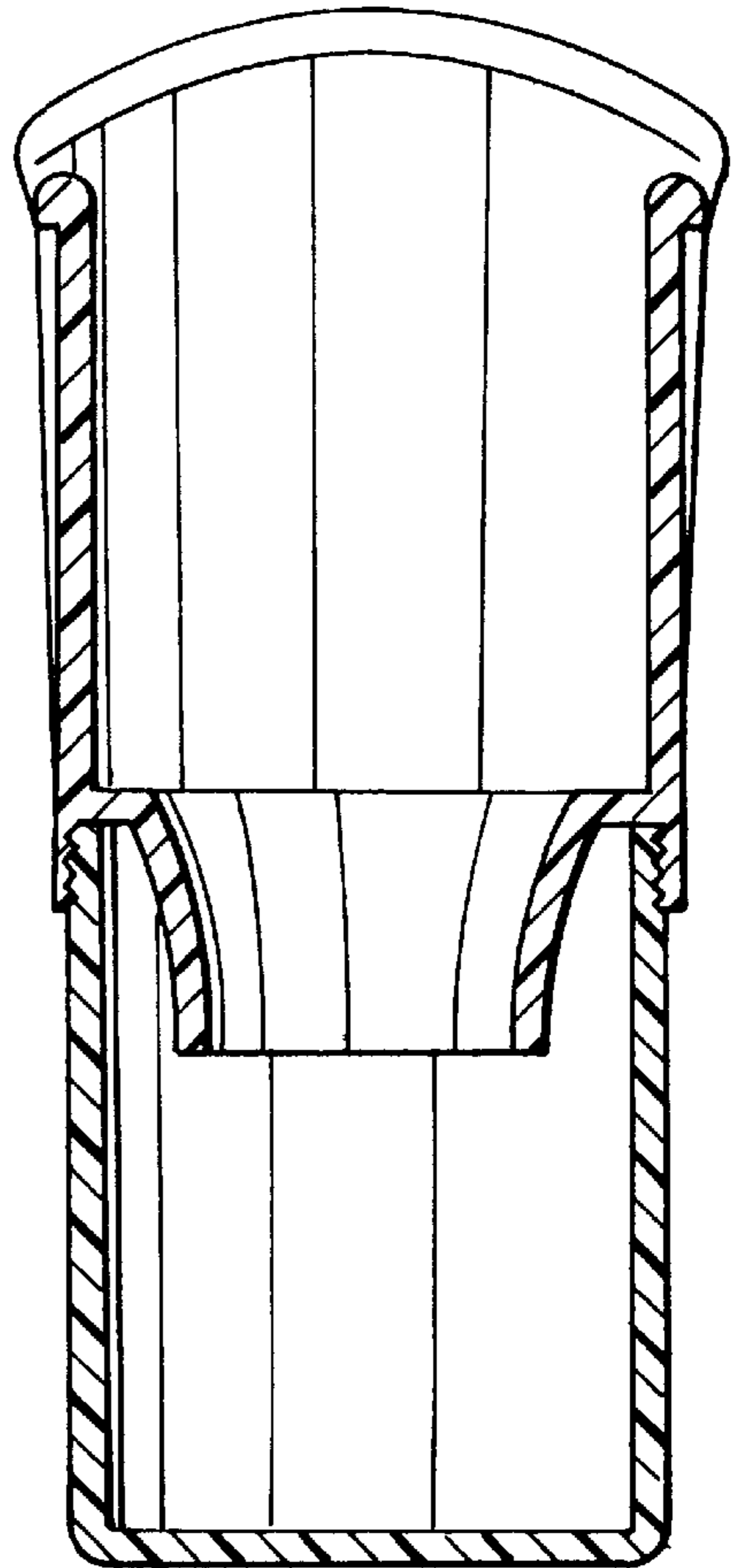


FIG. 7