



US00D409745S

United States Patent [19]
Niemczyk

[11] **Patent Number: Des. 409,745**

[45] **Date of Patent: ** May 11, 1999**

[54] **VERTICAL OXYGEN REGULATOR**

D. 218,921 10/1970 Lecocq D24/110.6
4,944,292 7/1990 Gaeke et al. 128/204.18

[76] Inventor: **Andrew Niemczyk**, 11376 Sobieski St.,
Hamtramck, Mich. 48212

Primary Examiner—Stella Reid

[**] Term: **14 Years**

[57] **CLAIM**

[21] Appl. No.: **29/047,953**

The ornamental design for a vertical oxygen regulator, as shown and described.

[22] Filed: **Dec. 15, 1995**

DESCRIPTION

[51] **LOC (6) Cl.** **29-02**

FIG. 1 is a front, top and left side perspective view of a vertical oxygen regulator showing my new design;
FIG. 2 is a left side elevational view thereof;
FIG. 3 is a right side elevational view thereof;
FIG. 4 is a front elevational view thereof;
FIG. 5 is a rear elevational view thereof;
FIG. 6 is a top plan view thereof; and,
FIG. 7 is a bottom plan view.

[52] **U.S. Cl.** **D24/110.6**

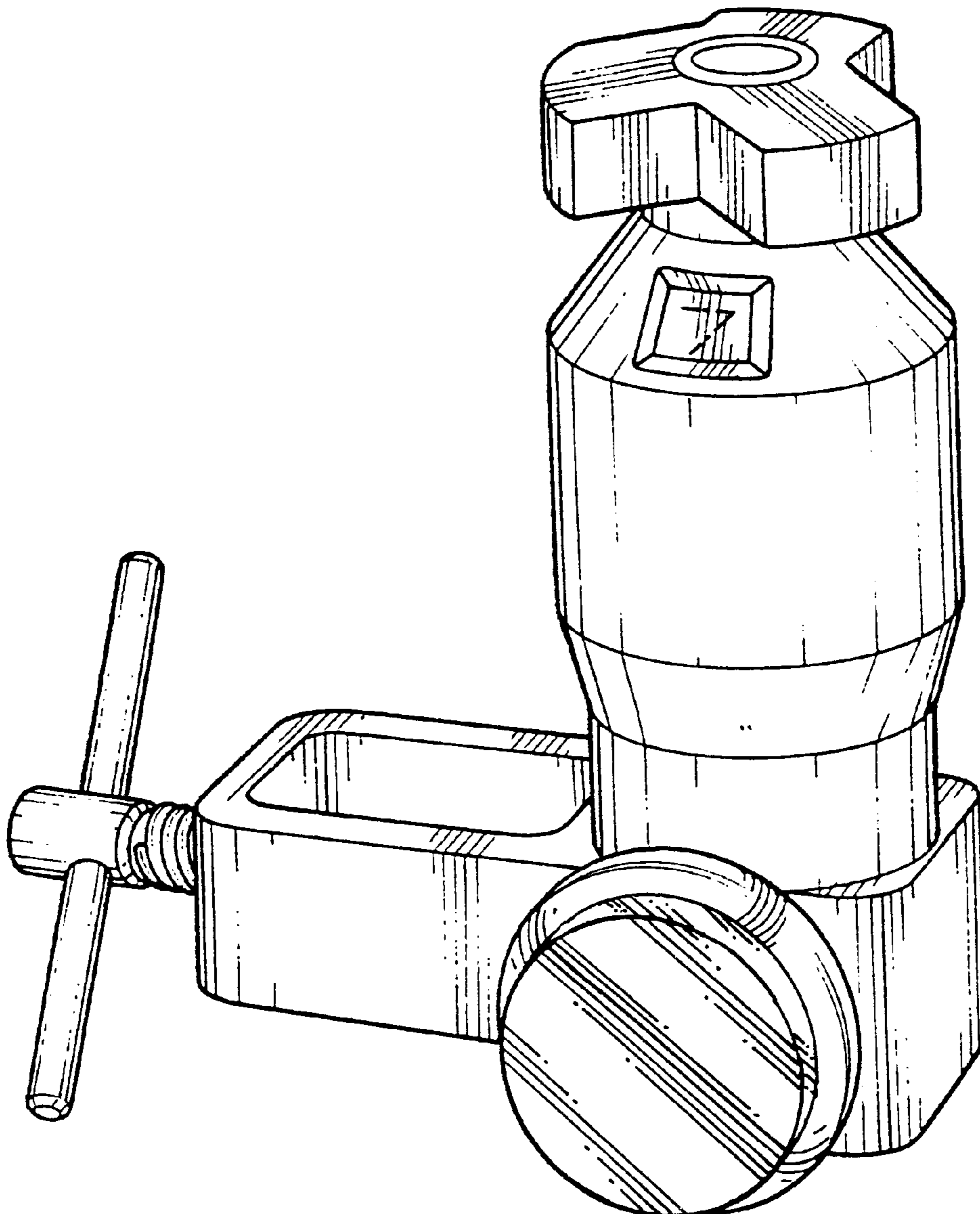
[58] **Field of Search** D24/110, 110.6,
D24/129; 128/204.18, 207.16, 207.12

[56] **References Cited**

U.S. PATENT DOCUMENTS

D. 172,372 6/1954 Wagner D24/129 X
D. 195,070 4/1963 Lecocq D24/110.6

1 Claim, 4 Drawing Sheets



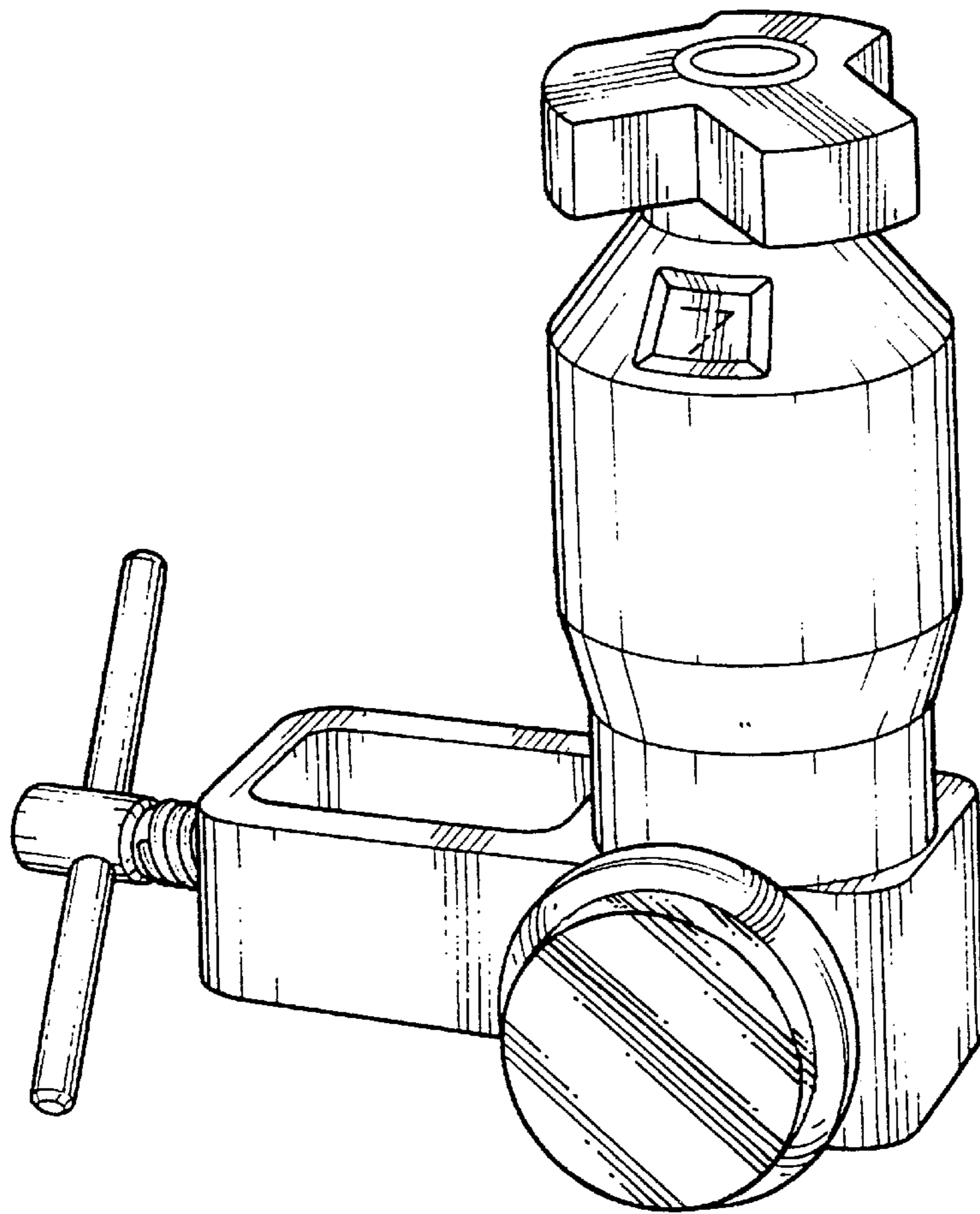


Fig - 1

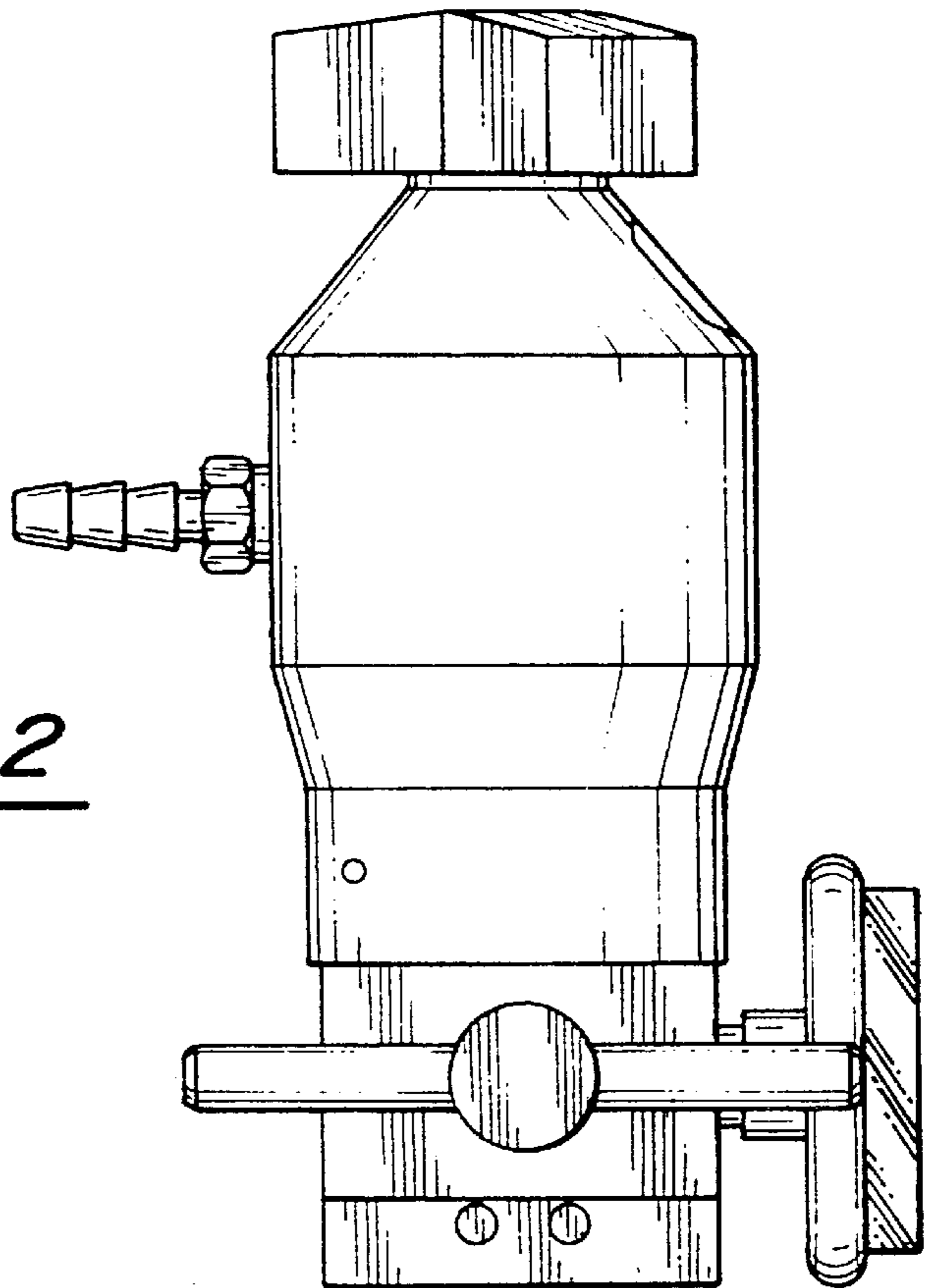


Fig - 2

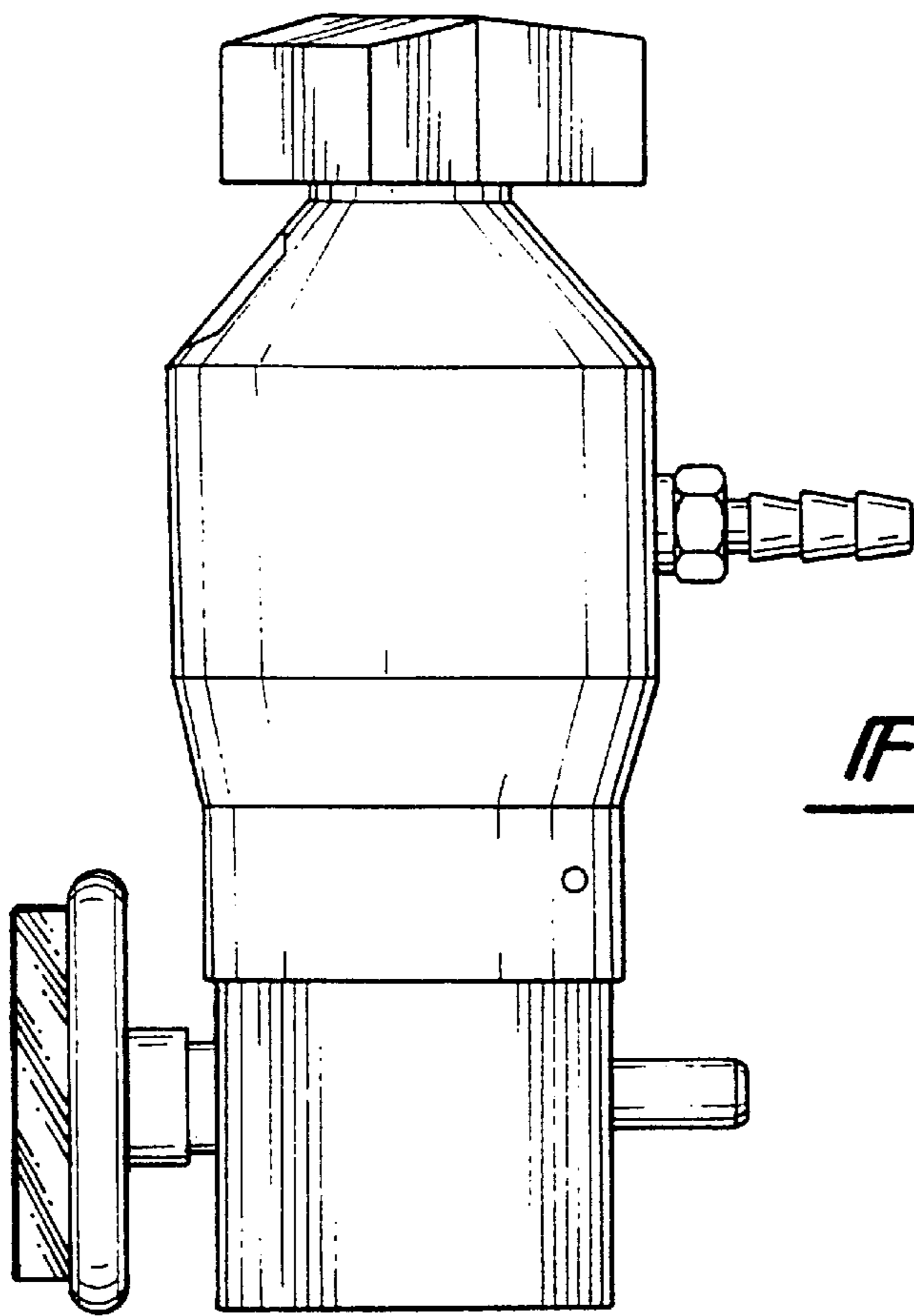


Fig - 3

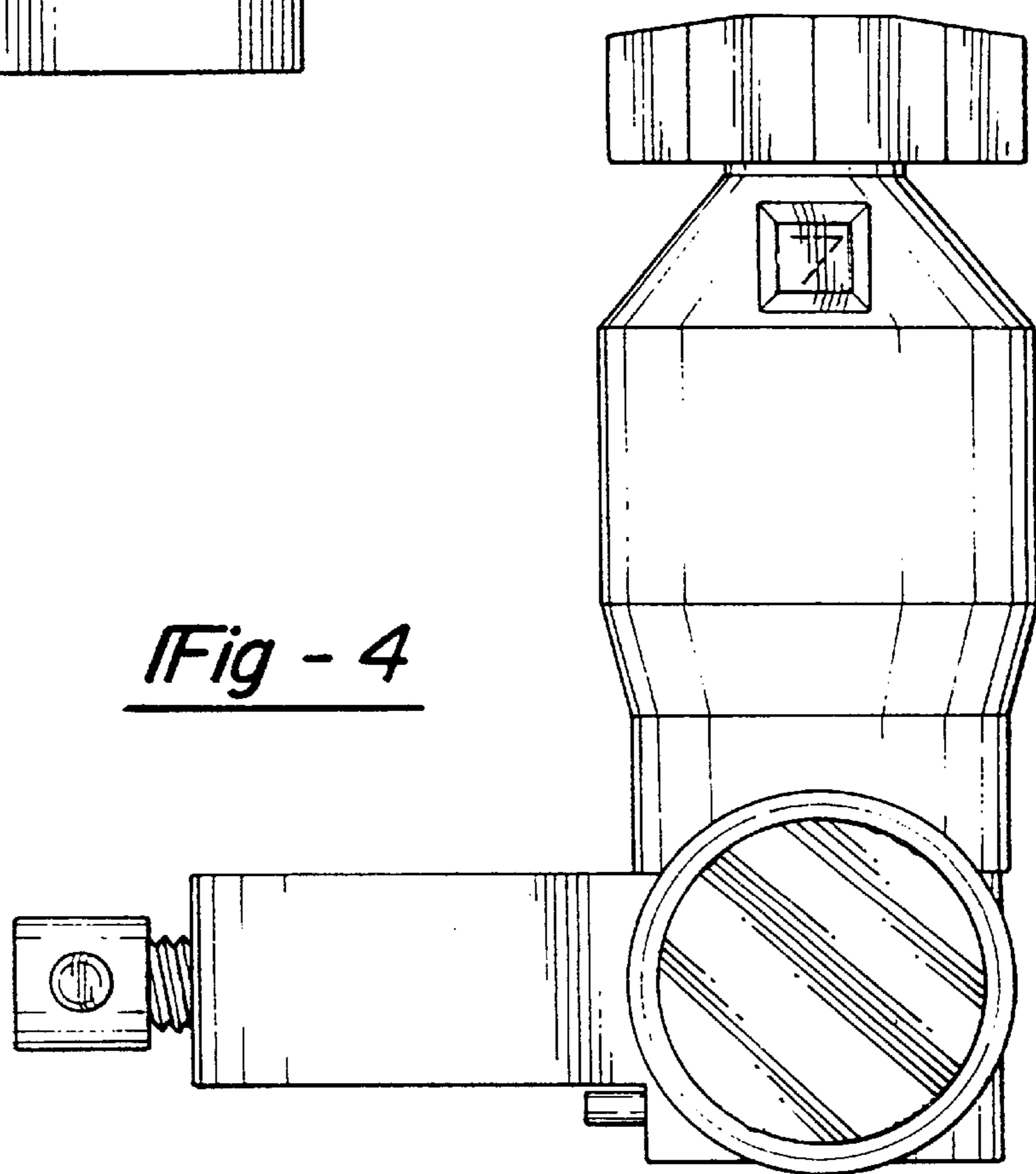


Fig - 4

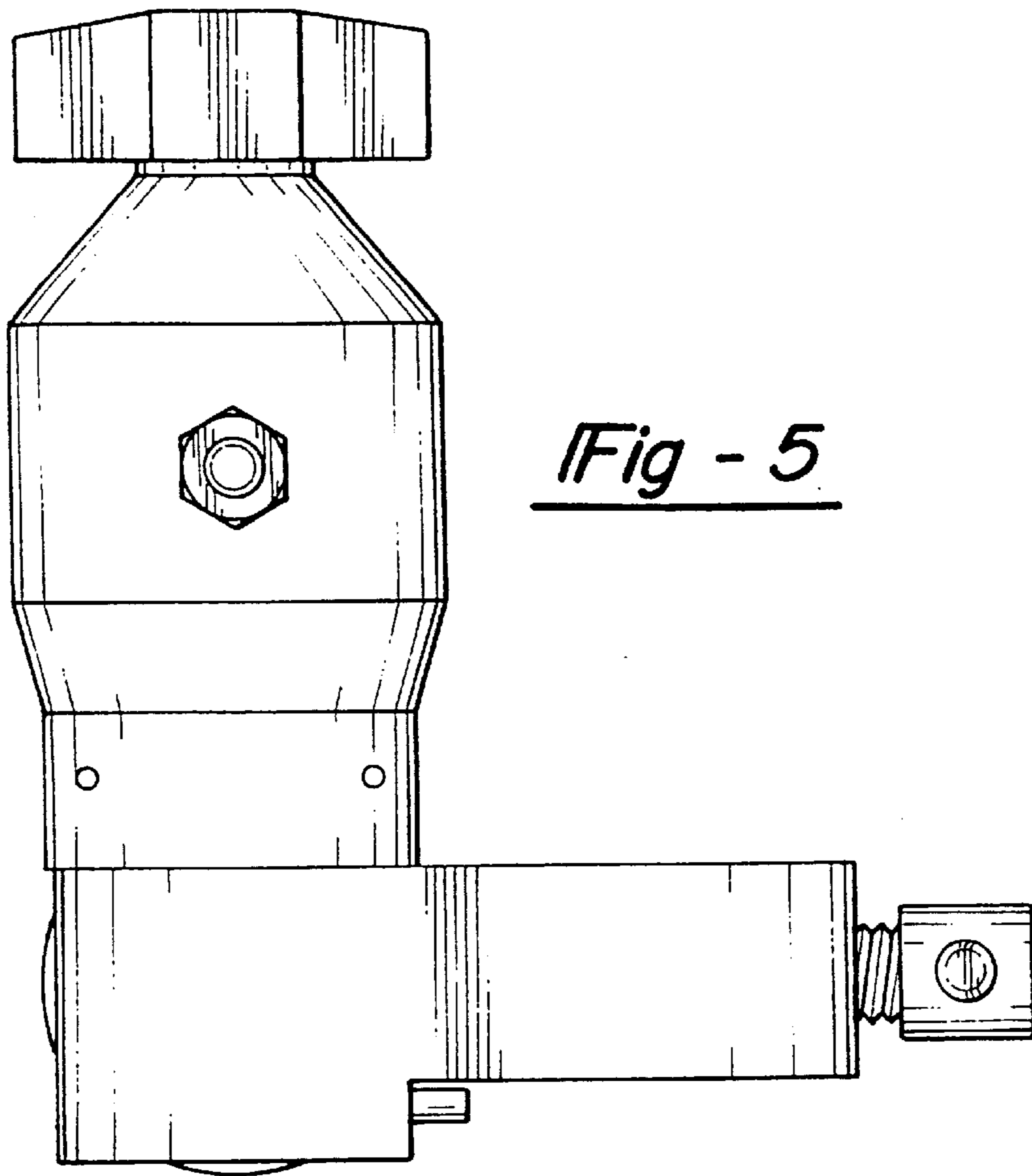


Fig - 5

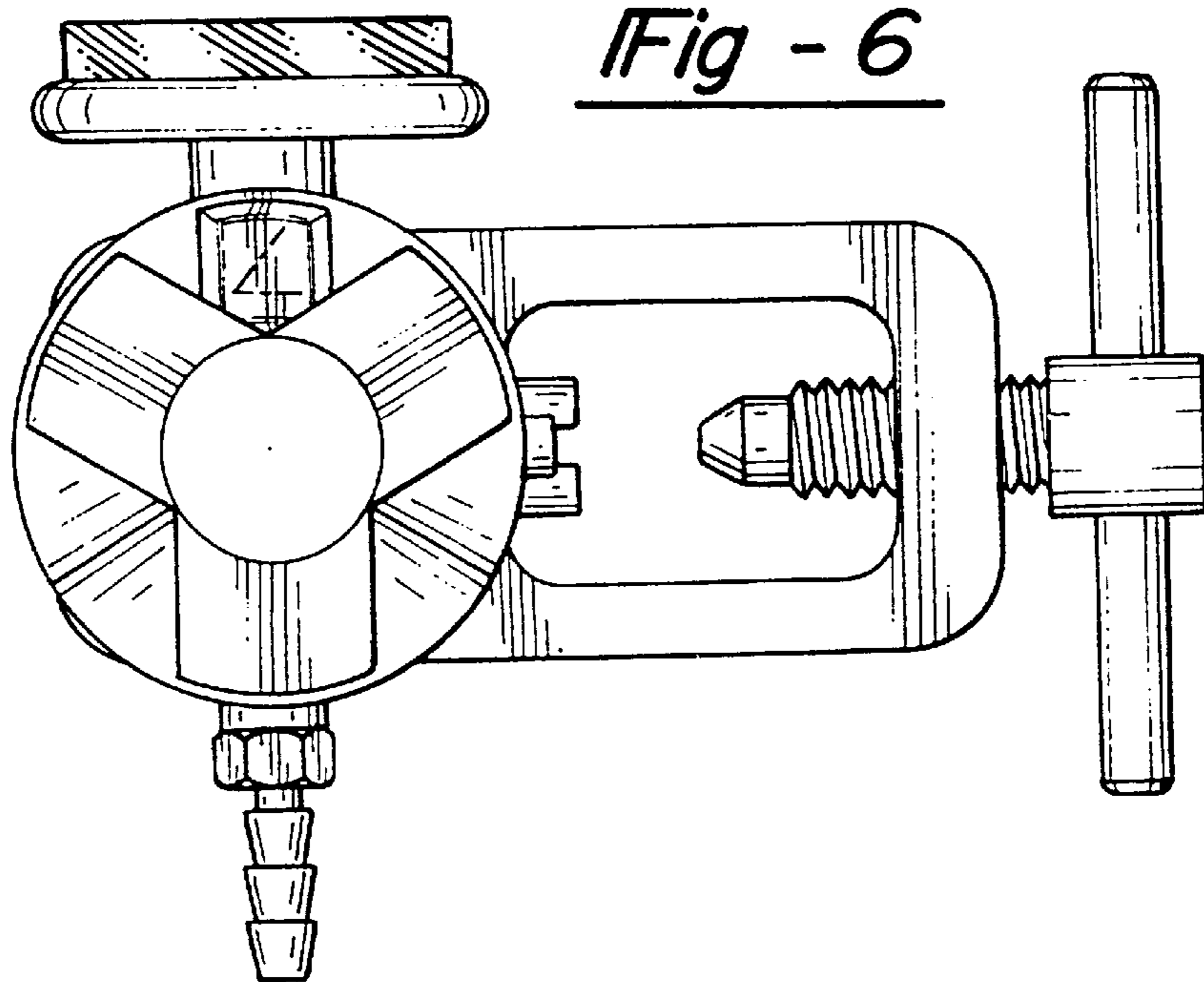


Fig - 6

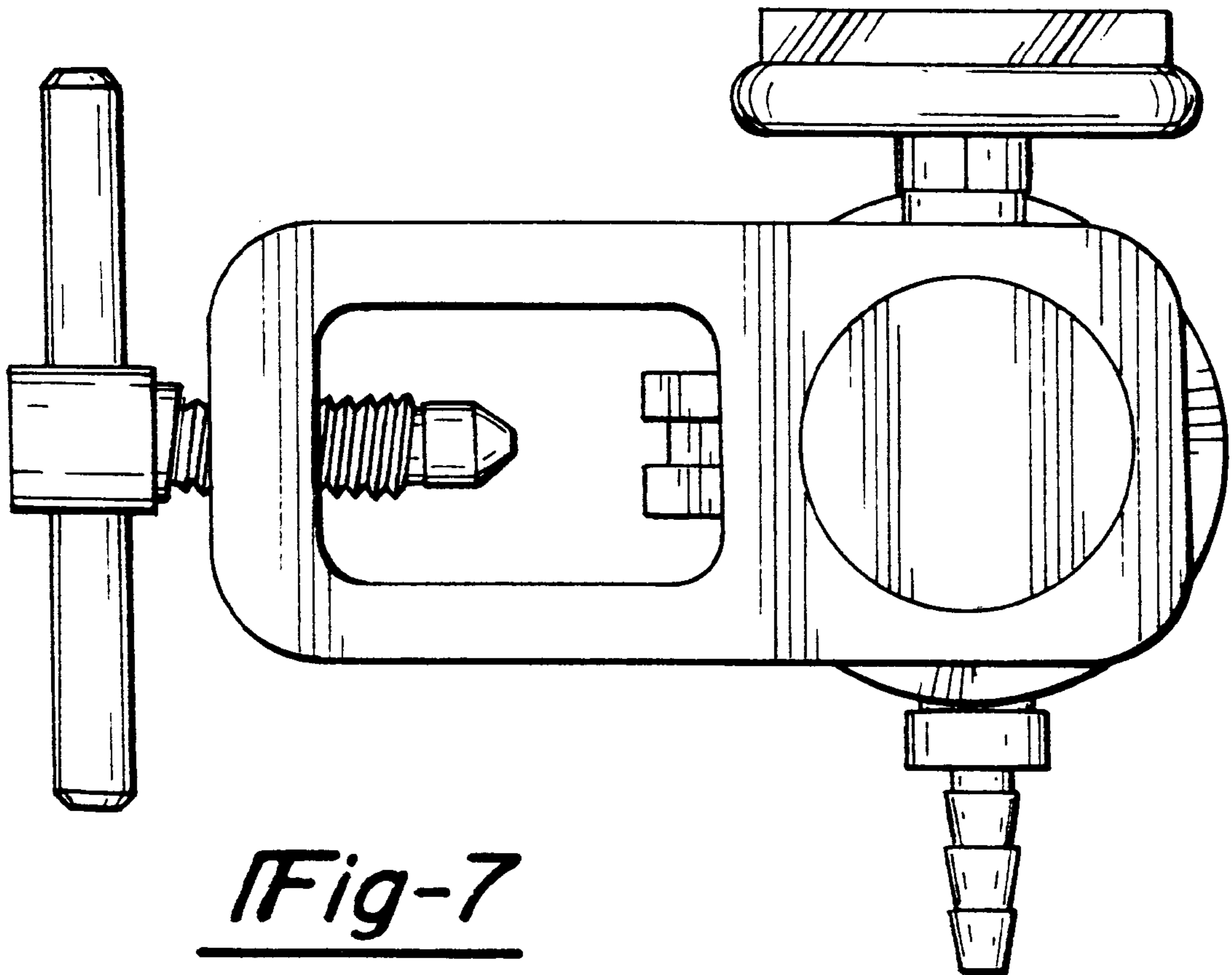


Fig-7