



US00D409742S

United States Patent [19] Yang

[11] **Patent Number: Des. 409,742**

[45] **Date of Patent: ** May 11, 1999**

[54] **COMBINED CEILING FAN AND LIGHT
FIXTURE**

[75] Inventor: **Burni W. Yang**, Buena Park, Calif.

[73] Assignee: **Sonica Fan Innovations Inc.**, Santa Fe Springs, Calif.

[**] Term: **14 Years**

[21] Appl. No.: **29/091,204**

[22] Filed: **Jul. 24, 1998**

[51] **LOC (6) Cl. 23-04**

[52] **U.S. Cl. D23/377; D23/379; D23/385;
D26/59**

[58] **Field of Search D23/377, 379,
D23/385, 411, 413; 416/5; 392/364; 362/96;
D26/81-86, 88, 59, 51, 72, 73**

[56] **References Cited**

U.S. PATENT DOCUMENTS

D. 284,304	6/1986	Harber	D23/155
D. 337,156	7/1993	Jaeger	D23/377
D. 356,152	3/1995	Coumar	D23/377
D. 382,636	8/1997	Yang	D23/377
4,592,702	6/1986	Bogage	416/247 R
4,671,739	6/1987	Read et al.	416/230

OTHER PUBLICATIONS

Sonica Fan Innovations, Inc. Cat, 96, Fan (A) top of page, 1995.

Halogen Star Ad, Ceiling Fan (B), bottom of page.

Advertisement page, Quorum International "The Eclipse" fan design.

Advertisement page, Hunter Fan Company "Integra Plus" fan design.

Advertisement page, Hunter Fan Company "Orion" fan design.

Advertisement page, Casablanca Fan Company "Stealth" fan design.

Advertisement page, Casablanca Fan Company "Sabre" fan design.

Advertisement page, Casablanca Fan Company "Atlantis" fan design.

Advertisement page, Casablanca Fan Company "Star/Starlet" Series fan design.

Advertisement page, Beverly Hills Fan Company "Le Cirque" fan design.

Advertisement page, Concord Fan & Lighting Co. "The Endeavor" fan design.

Advertisement page, Oneida Innovations Inc. "Sonic I" and "Sonic II" fan designs.

Advertisement page, Minkaire "Viper" fan design.

Advertisement page, Craftmade International Inc. "Quest" fan design.

Advertisement page, Casablanca Fan Company "Stealth 32000R" fan design.

Advertisement page, Concord Fan & Lighting Company "The Andorra Collection" fan design.

Advertisement page, Concord Fan & Lighting Company "Fifth Avenue Series" fan design.

Advertisement page, Quorum International "Radius" fan design.

Advertisement page, Emerson Electric Company "Odyssey" fan design.

Advertisement page, Quorum International "Spectra" fan design.

Advertisement page, Craftmade "Cameo" fan design.

Primary Examiner—Lisa Lichtenstein

Attorney, Agent, or Firm—Sheldon & Mak

[57] **CLAIM**

The ornamental design for a combined ceiling fan and light fixture, as shown and described.

DESCRIPTION

FIG. 1 is a perspective view of a combined ceiling fan and light fixture showing my new design;

FIG. 2 is a bottom plan view of the combined ceiling fan and light fixture of FIG. 1;

FIG. 3 is a side elevation view of the combined ceiling fan and light fixture of FIG. 1, the other sides being identical to that shown; and,

FIG. 4 is a top plan view of the ceiling fan of FIG. 1.

1 Claim, 2 Drawing Sheets

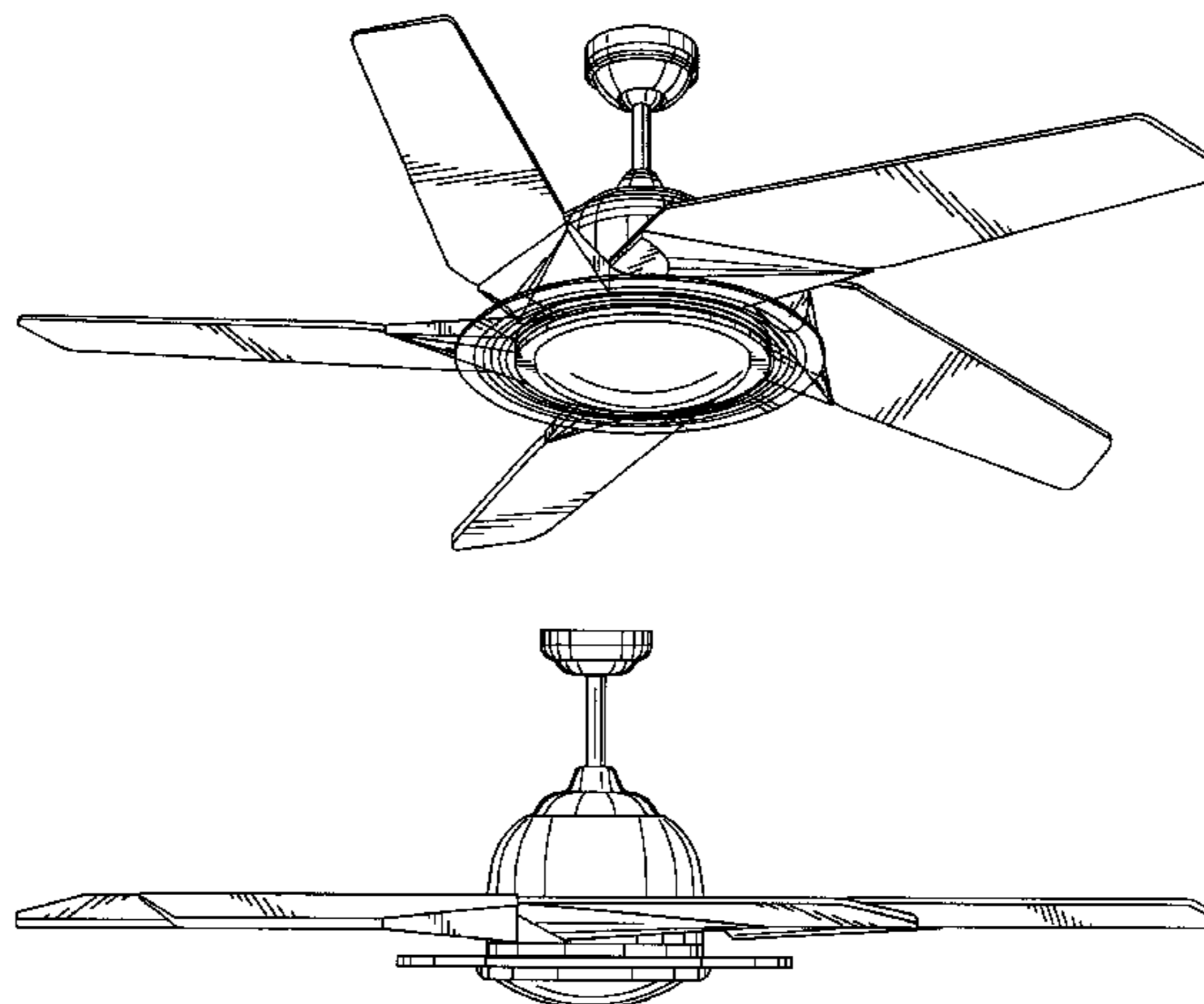


FIG. 1

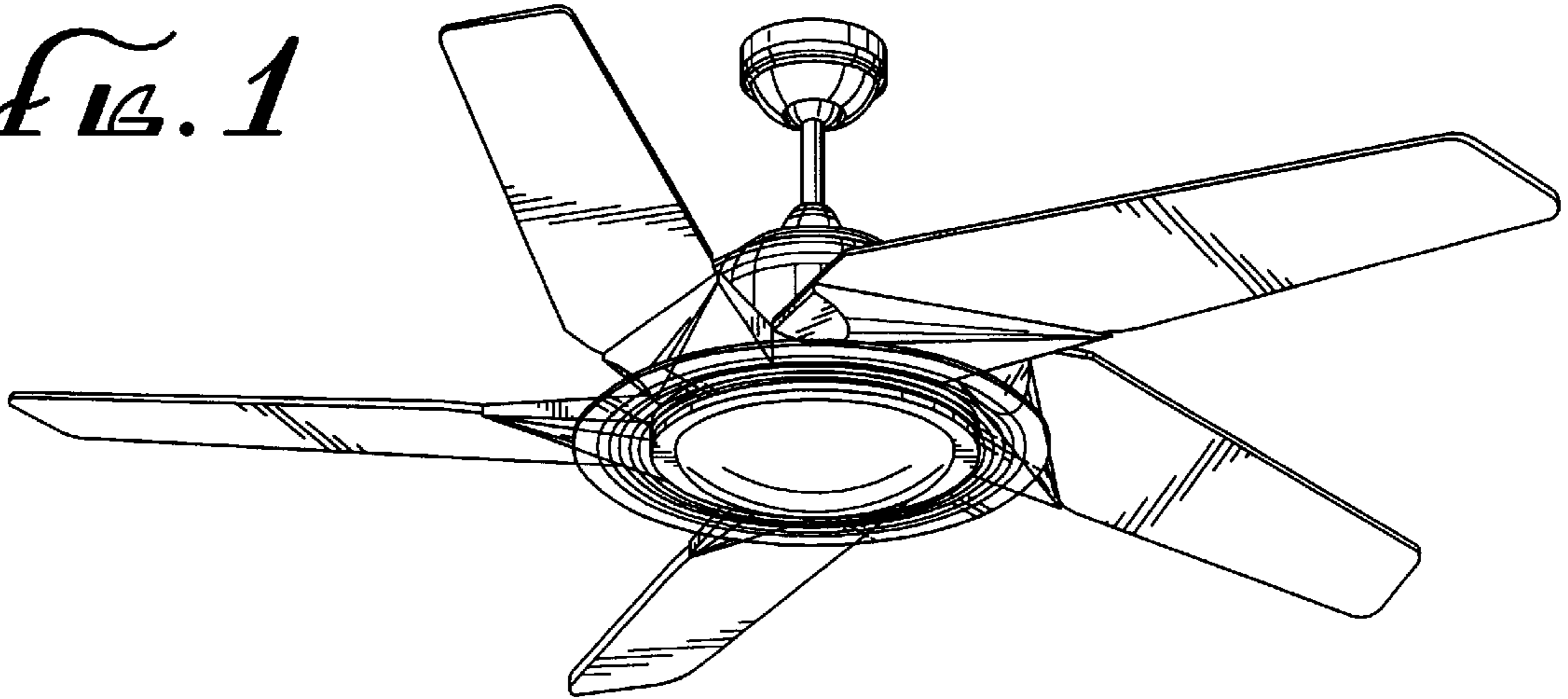


FIG. 2

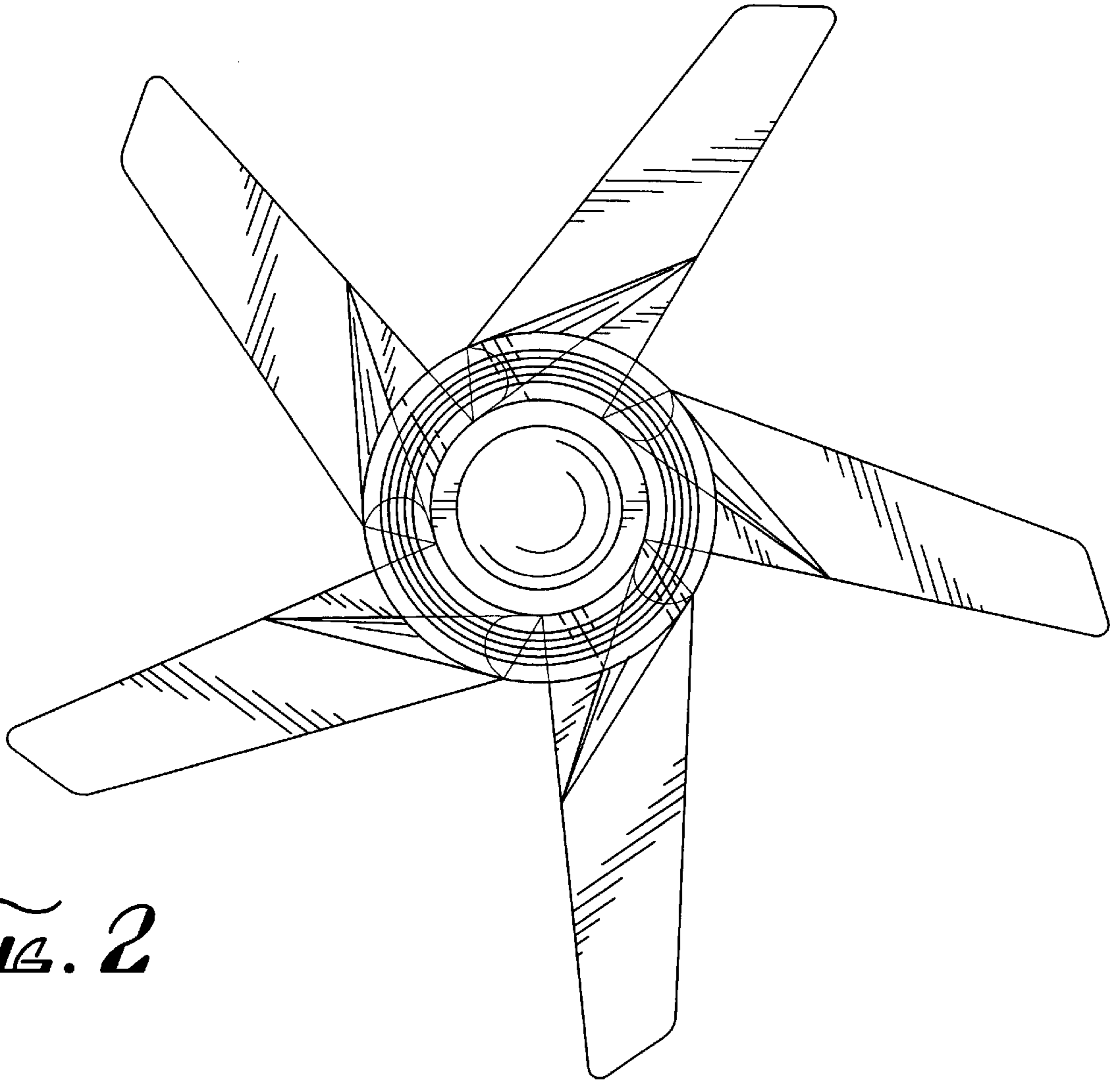


FIG. 3

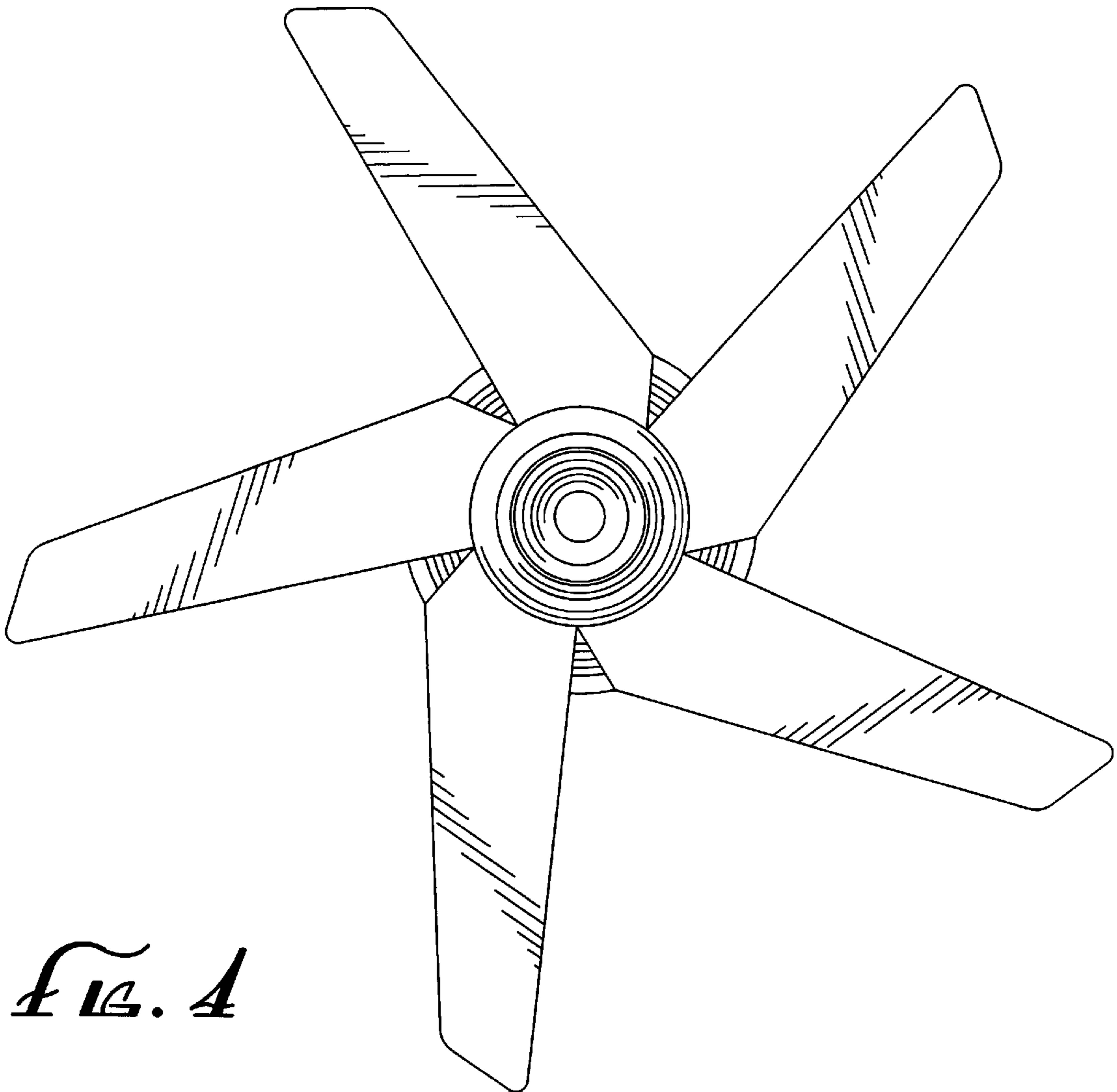
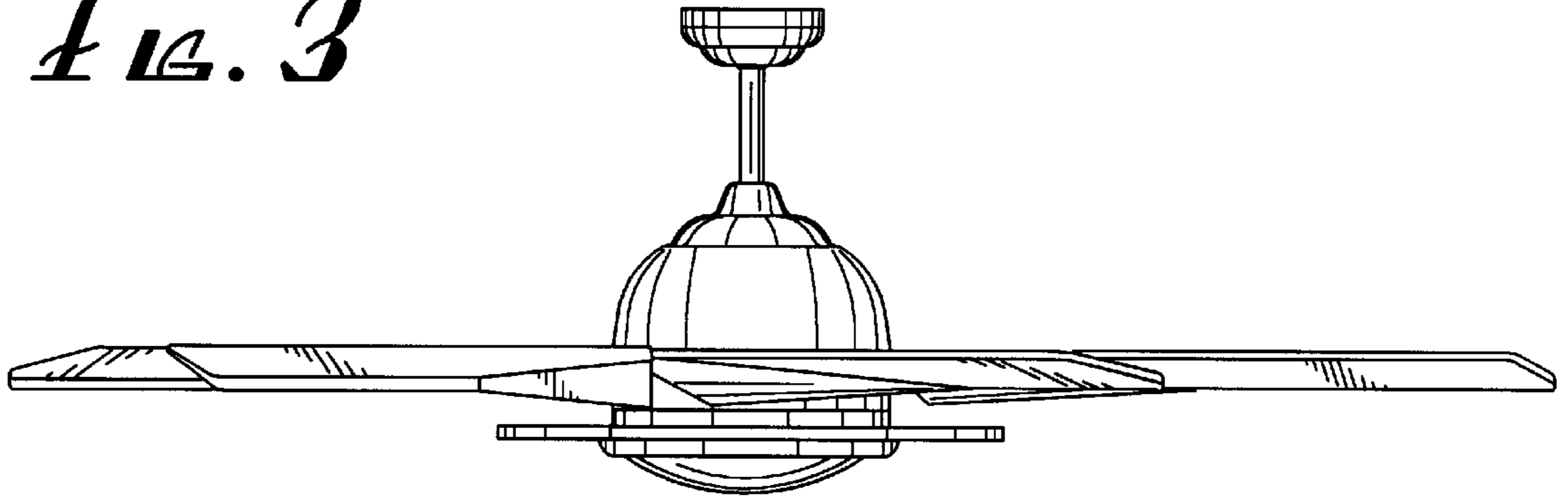


FIG. 4