



US00D409741S

United States Patent [19]

Yuen-Ming

[11] Patent Number: **Des. 409,741**

[45] Date of Patent: **** May 11, 1999**

[54] **VENTILATING FAN**

[75] Inventor: **Lam Yuen-Ming**, Chaiwan, The Hong Kong Special Administrative Region of the People's Republic of China

[73] Assignee: **Goldmaster Development Limited**, Chaiwan, The Hong Kong Special Administrative Region of the People's Republic of China

[**] Term: **14 Years**

[21] Appl. No.: **29/079,267**

[22] Filed: **Nov. 12, 1997**

[51] **LOC (6) Cl.** **23-04**

[52] **U.S. Cl.** **D23/370; D23/371; D23/385**

[58] **Field of Search** **D23/370, 371, D23/385; 454/354, 349, 341; 416/247 R**

[56] **References Cited**

PUBLICATIONS

American Builders, p. 81, Vertical Discharge Fan (A) and Bathroom Ventilator (B), upper right side of page, and lower right side of page respectively. Oct. 1959.

Primary Examiner—Lisa Lichtenstein
Attorney, Agent, or Firm—Burns, Doane, Swecker & Mathis, L.L.P.

[57] **CLAIM**

The ornamental design for a “ventilating fan”, as shown and described.

DESCRIPTION

FIG. 1 is a front view of a “ventilating fan” showing my design;

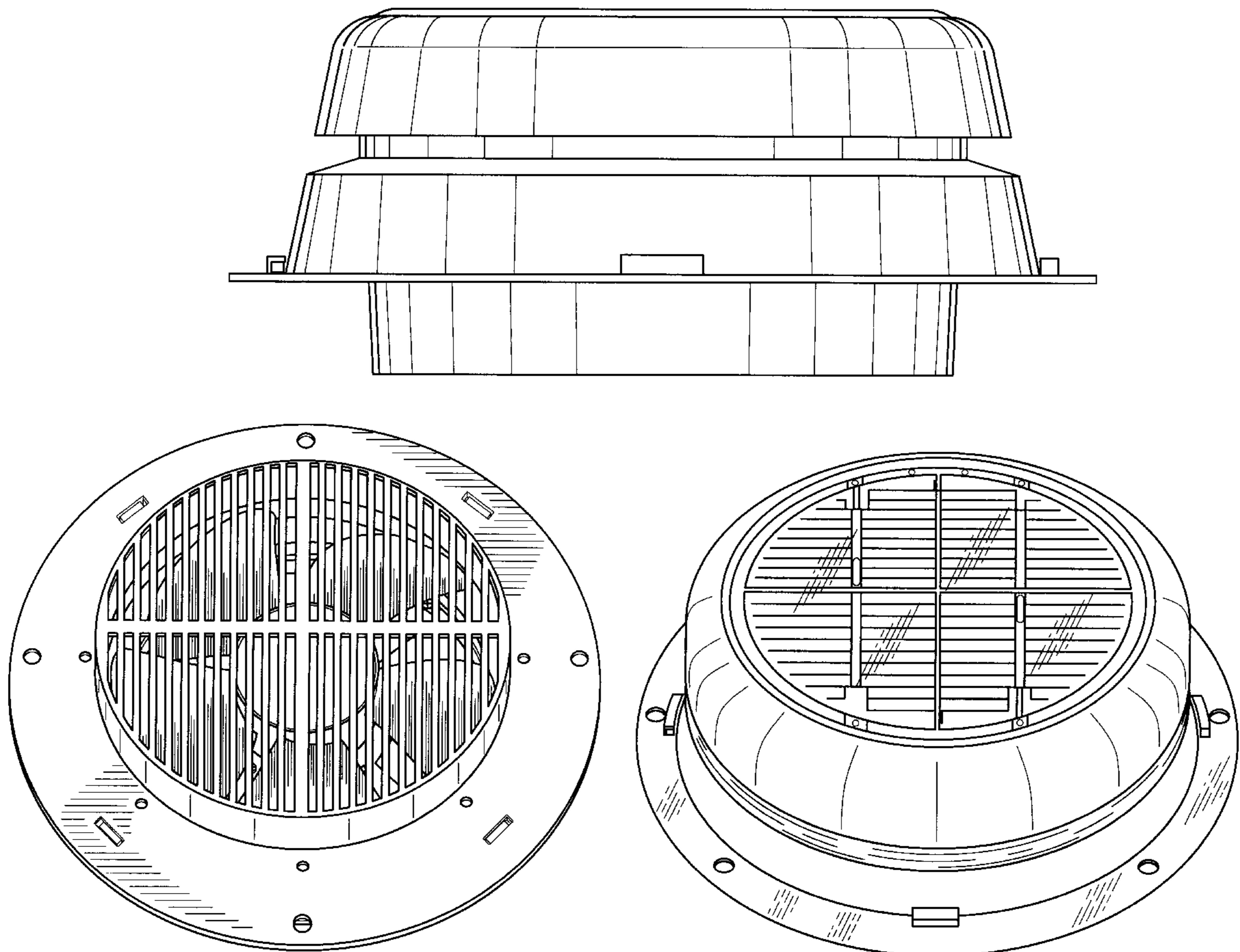
FIG. 2 is a rear side view thereof;

FIG. 3 is an enlarged side view, the other sides correspond thereof;

FIG. 4 is a perspective view from the front and one side thereof; and,

FIG. 5 is a perspective view from the rear and one side thereof.

1 Claim, 5 Drawing Sheets



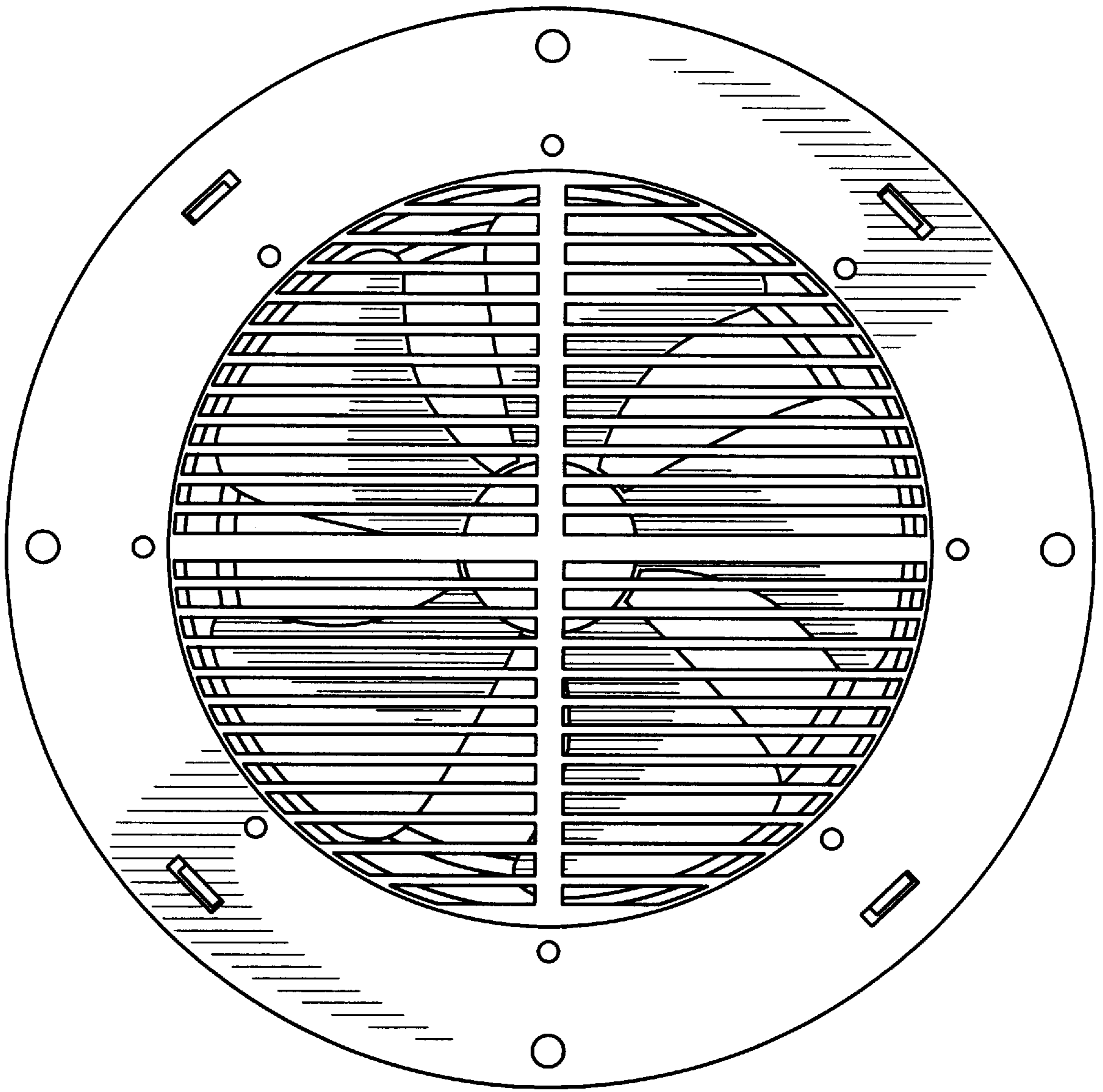


FIG. 1

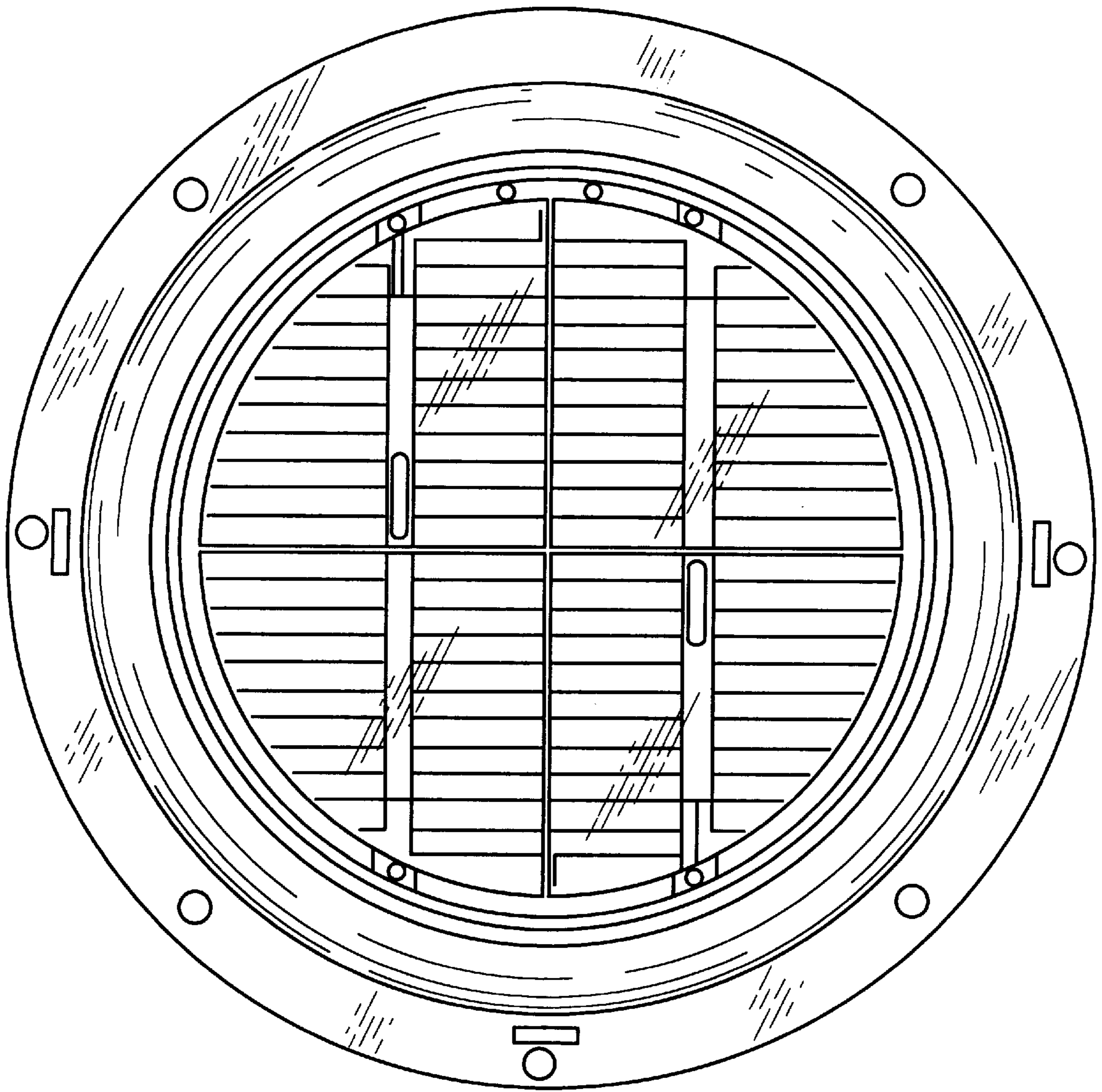


FIG. 2

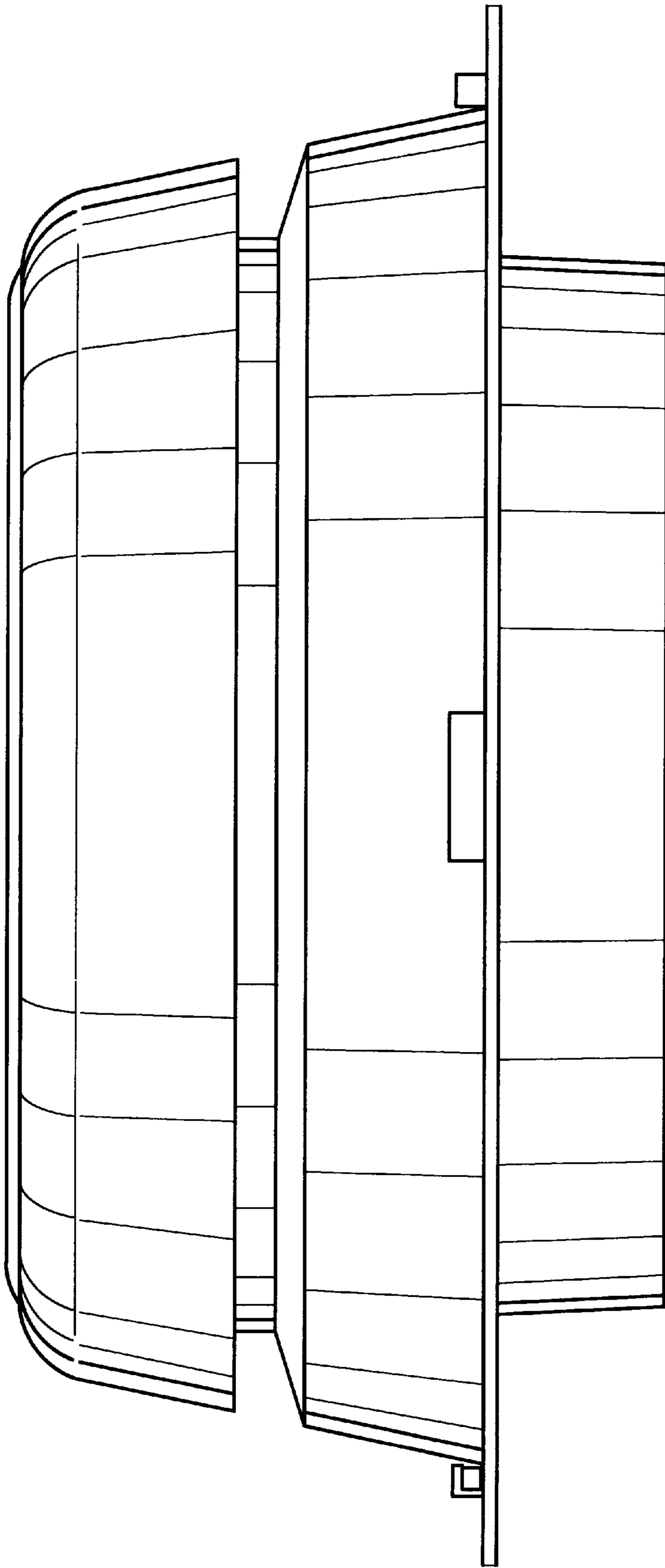


FIG. 3

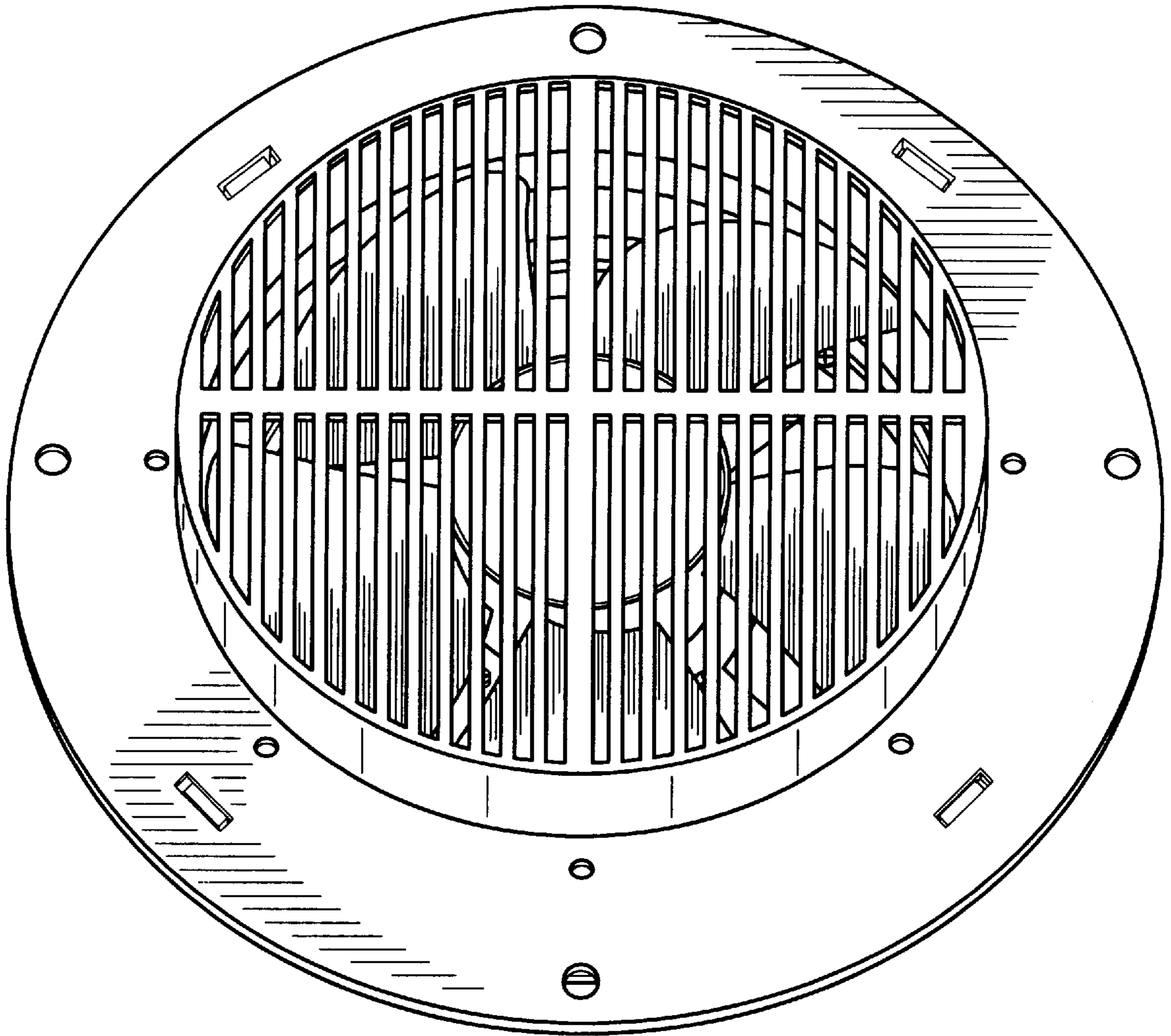


FIG. 4

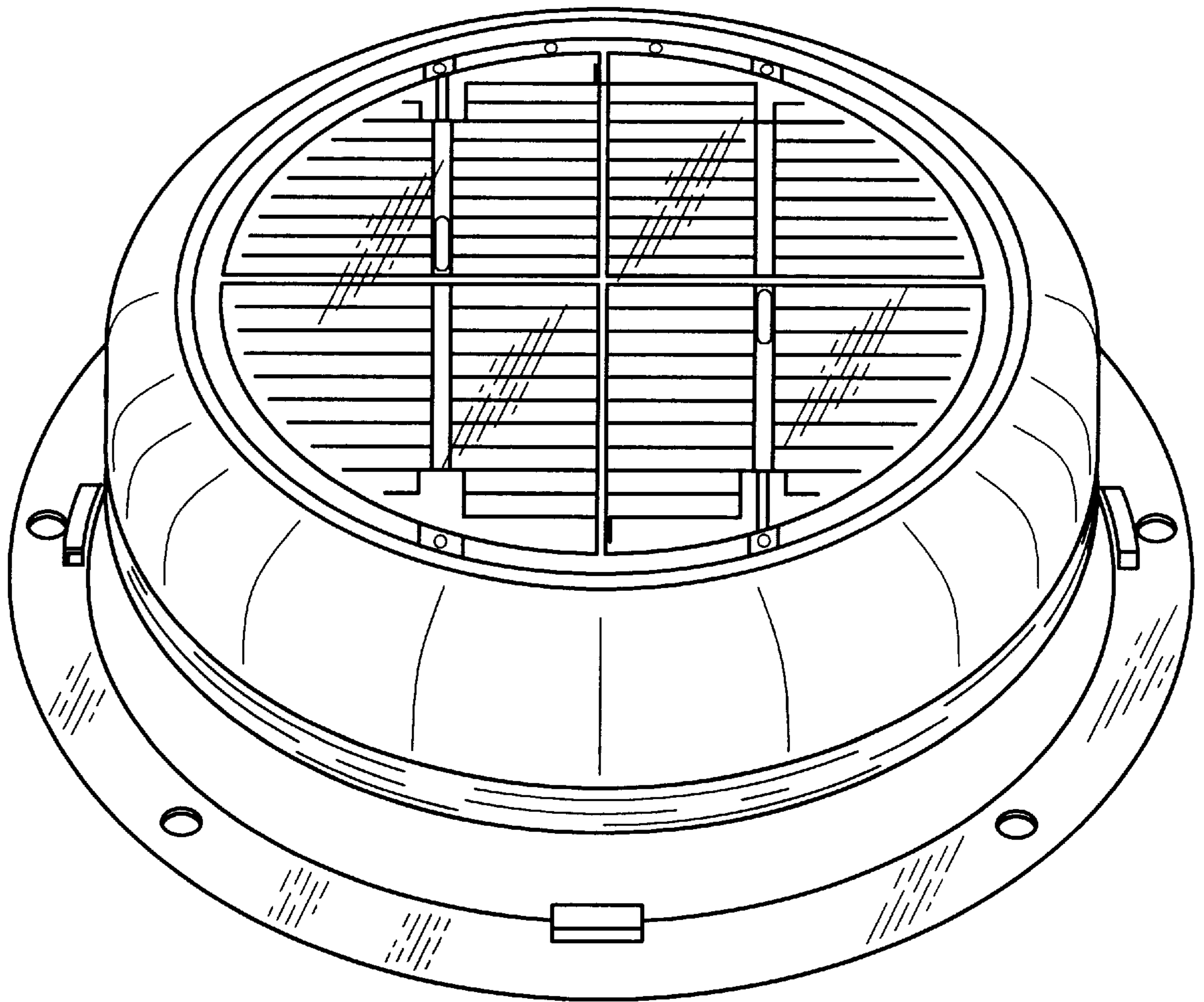


FIG. 5