



US00D409737S

United States Patent [19] Nilsson

[11] **Patent Number: Des. 409,737**

[45] **Date of Patent: ** May 11, 1999**

[54] **FAN**

[75] **Inventor: Marie Nilsson, Helsingborg, Sweden**

[73] **Assignee: AB Ph. Nederman & Co.,
Helsingborg, Sweden**

[**] **Term: 14 Years**

[21] **Appl. No.: 29/085,286**

[22] **Filed: Mar. 19, 1998**

[30] Foreign Application Priority Data

Sep. 22, 1997 [SE] Sweden 97-2085

[51] **LOC (6) Cl. 23-04**

[52] **U.S. Cl. D23/332; D23/383**

[58] **Field of Search D23/332, 370,
D23/383; 416/63; 415/204, 206, 213.1;
417/364, 423.9, 423.1**

[56] References Cited

U.S. PATENT DOCUMENTS

4,756,668 7/1988 Gassen et al. 416/247 R

*Primary Examiner—Lisa Lichtenstein
Attorney, Agent, or Firm—Tarolli, Sundheim, Covell,
Tummino & Szabo*

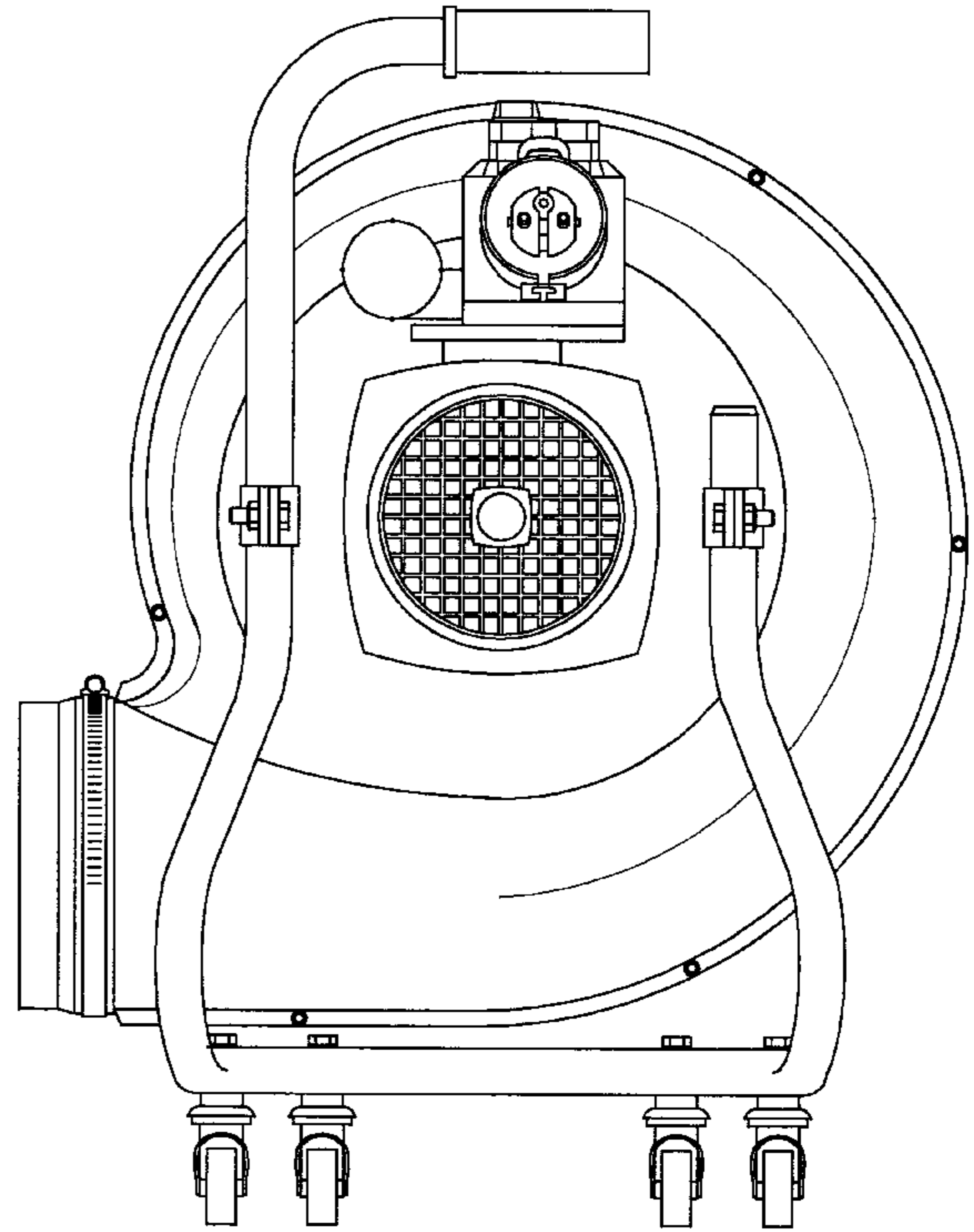
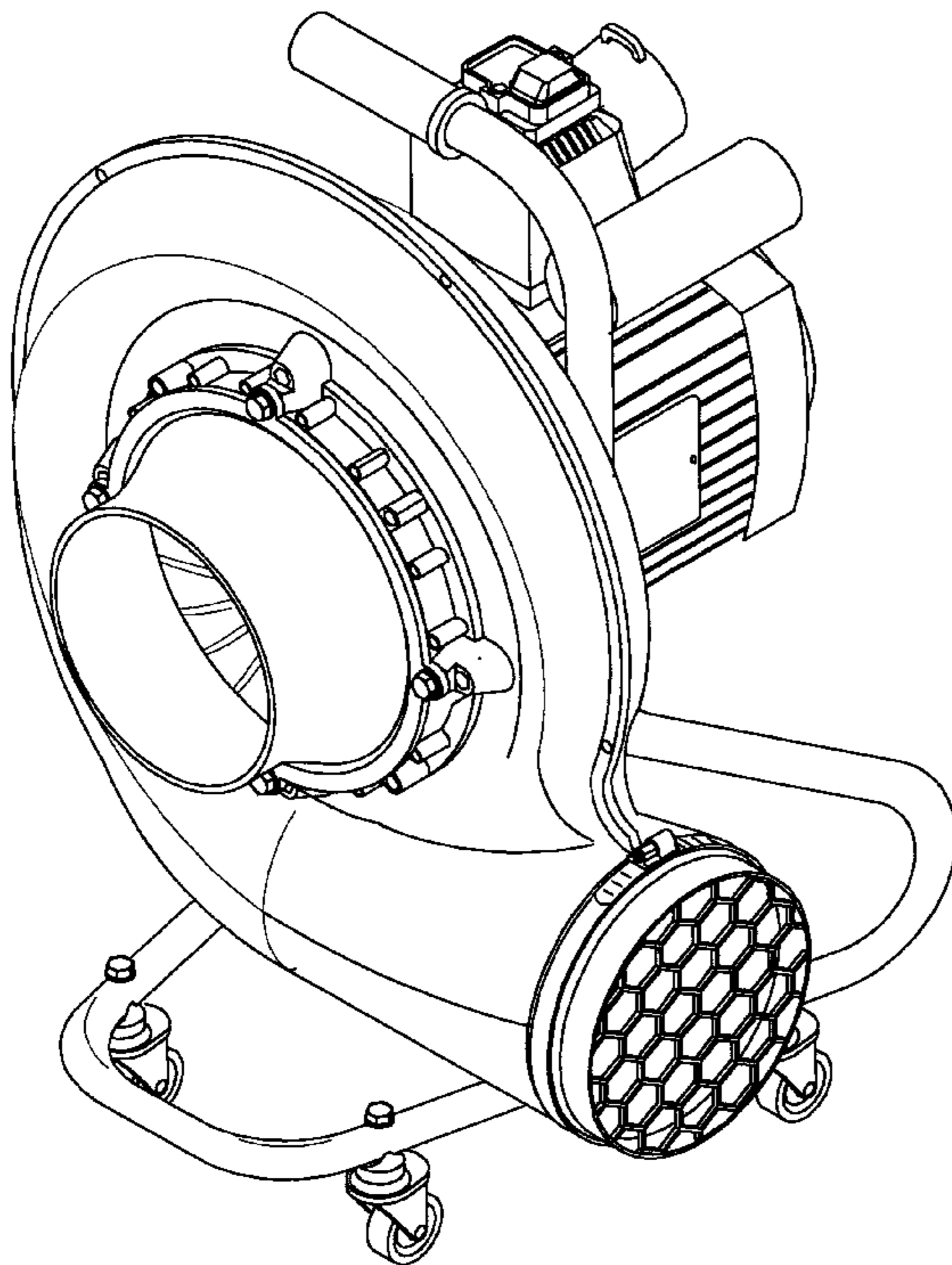
[57] CLAIM

The ornamental design for a fan, as shown.

DESCRIPTION

FIG. 1 is a perspective view of the fan;
FIG. 2 is a right side elevational view of the fan;
FIG. 3 is a left side elevational view of the fan;
FIG. 4 is a front elevational view of the fan;
FIG. 5 is a rear elevational view of the fan;
FIG. 6 is a top plan view of the fan; and,
FIG. 7 is a bottom plan view of the fan.

1 Claim, 7 Drawing Sheets



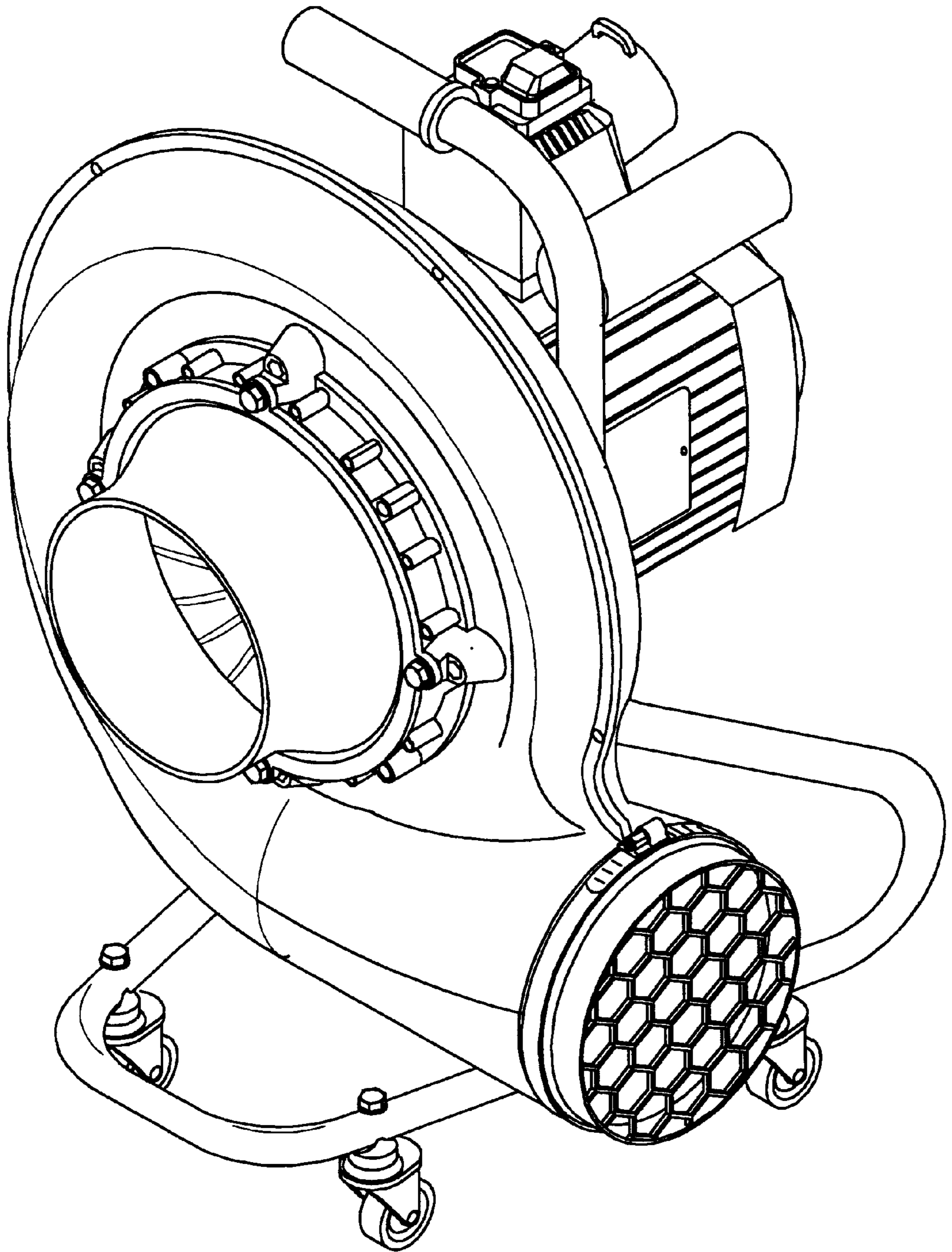


Fig.1

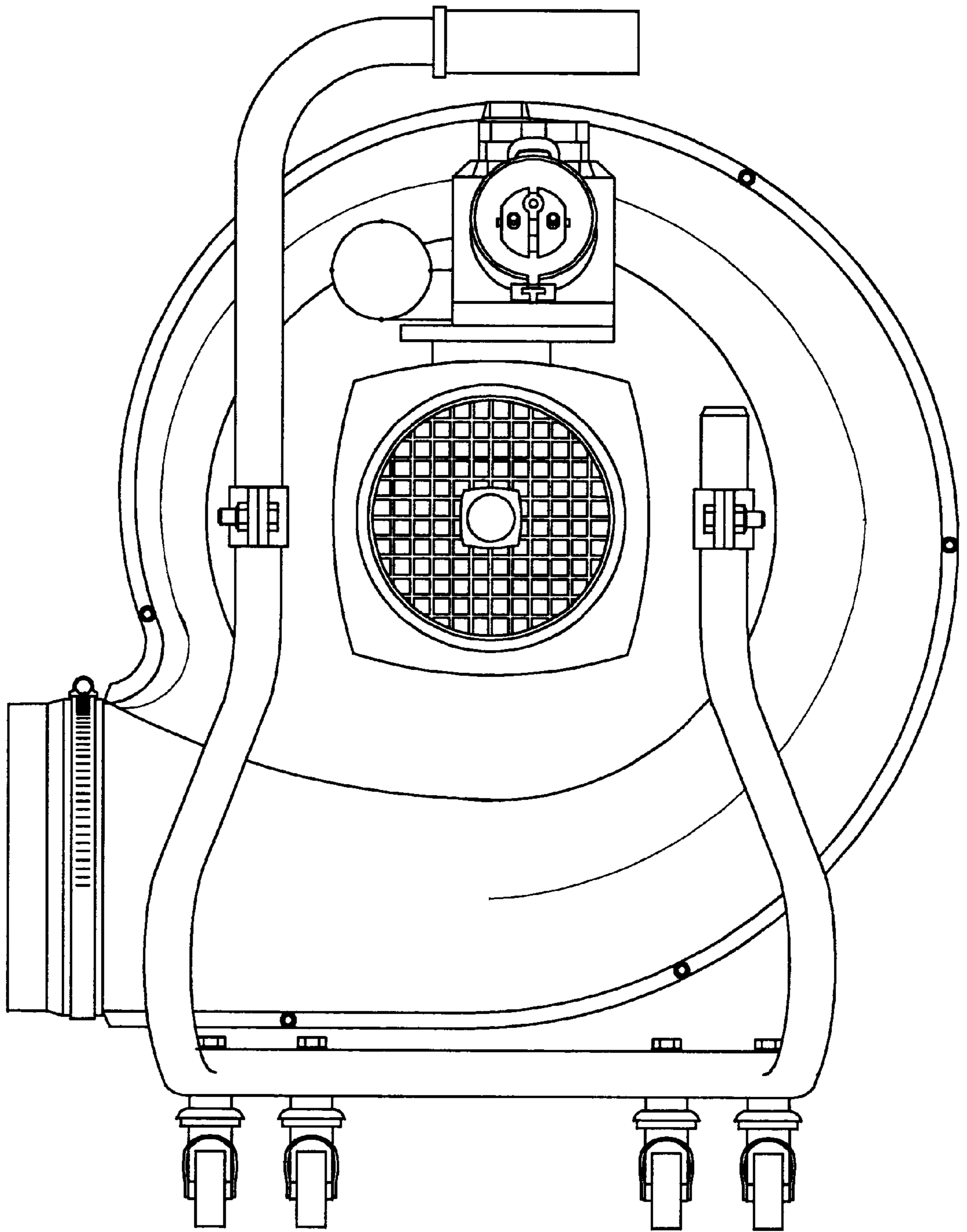


Fig.2

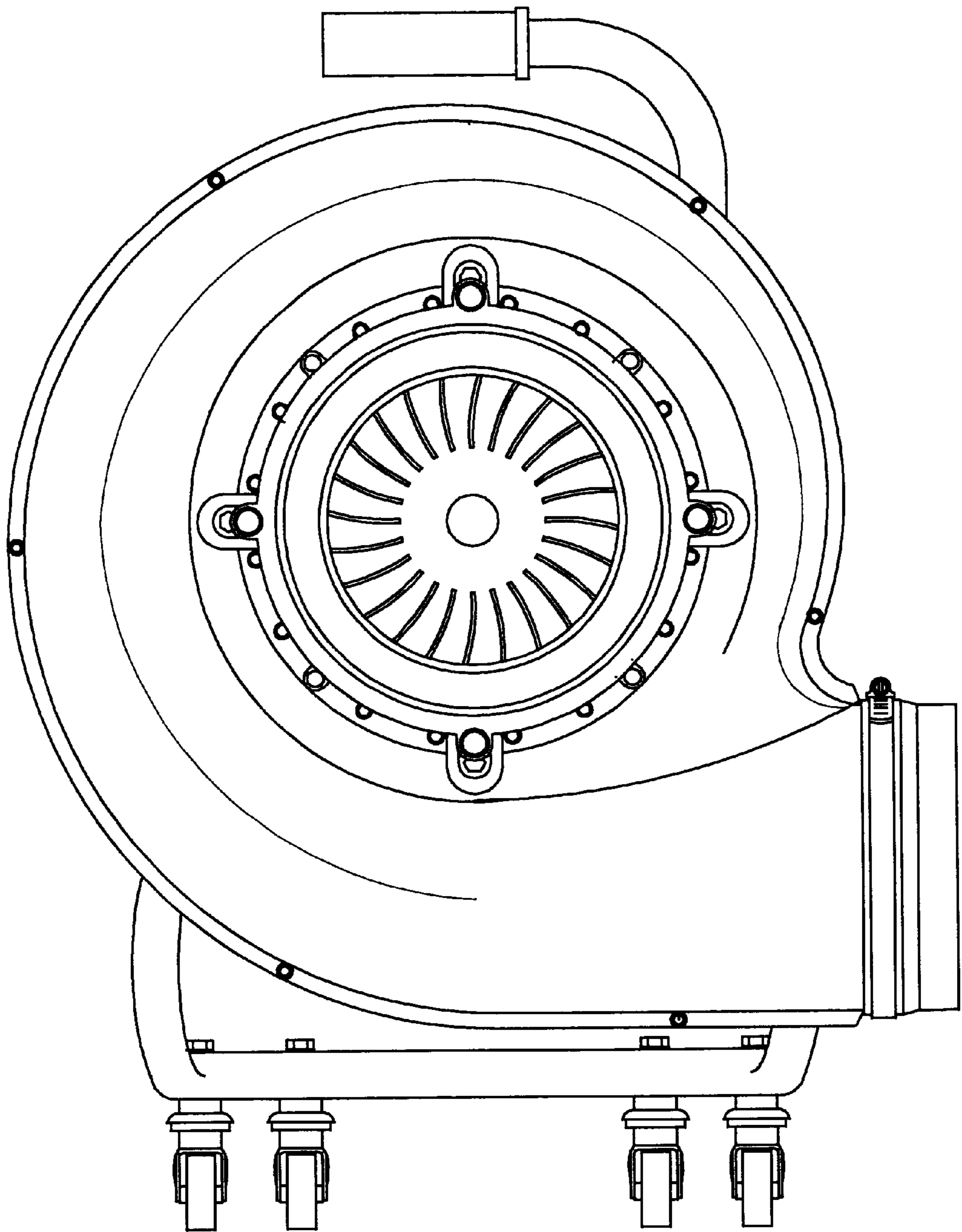


Fig.3

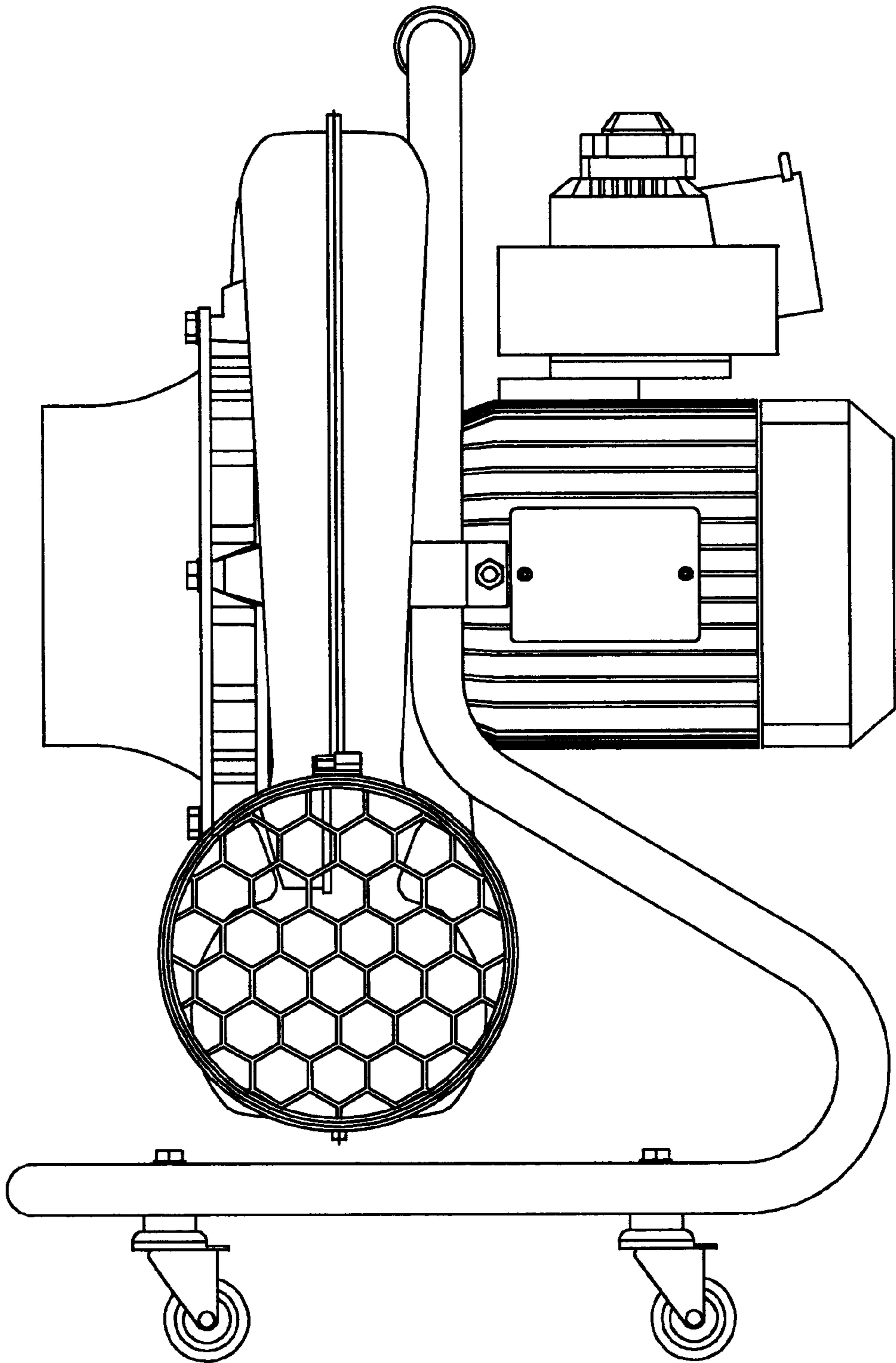
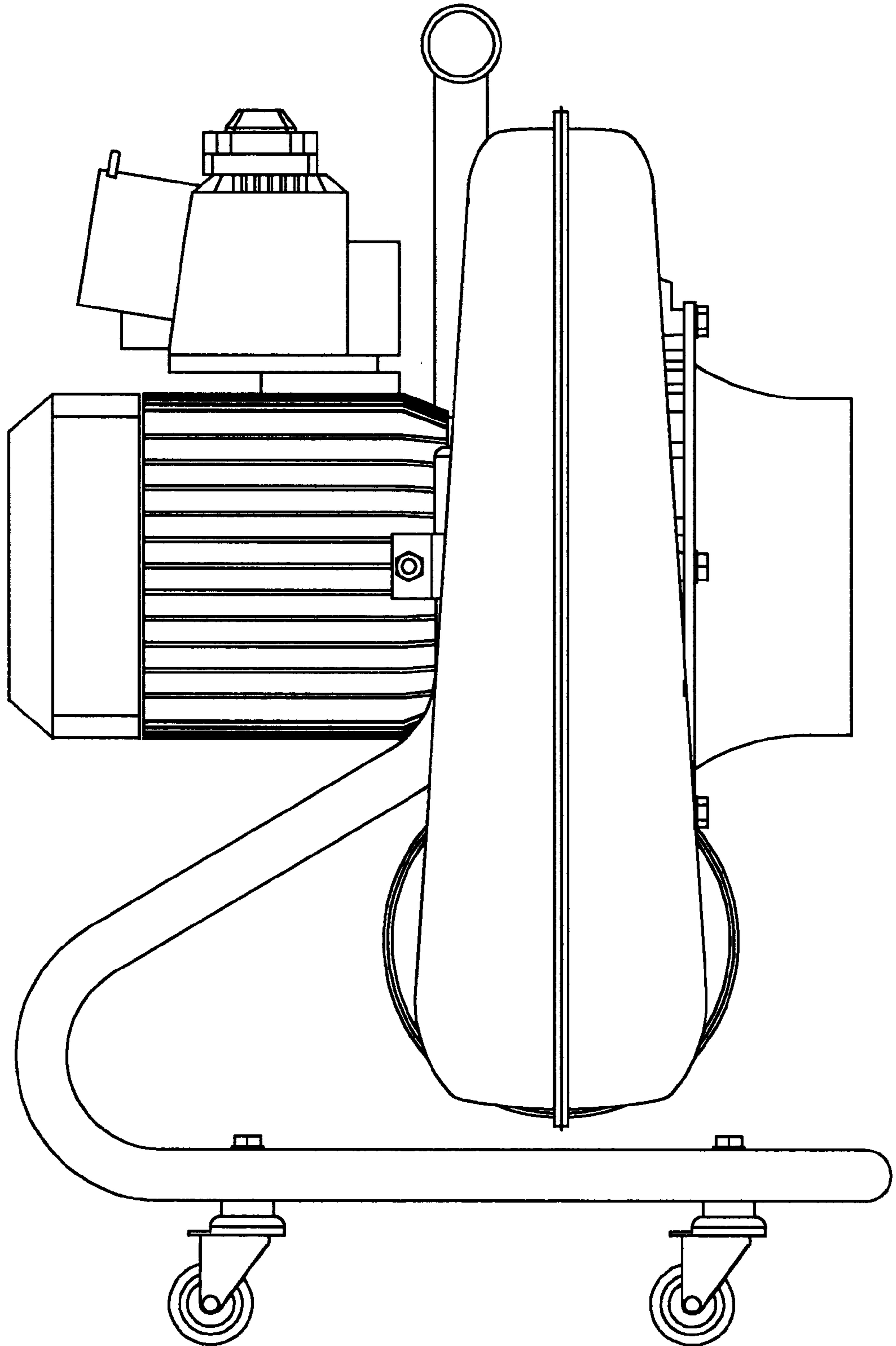


Fig.4

Fig.5



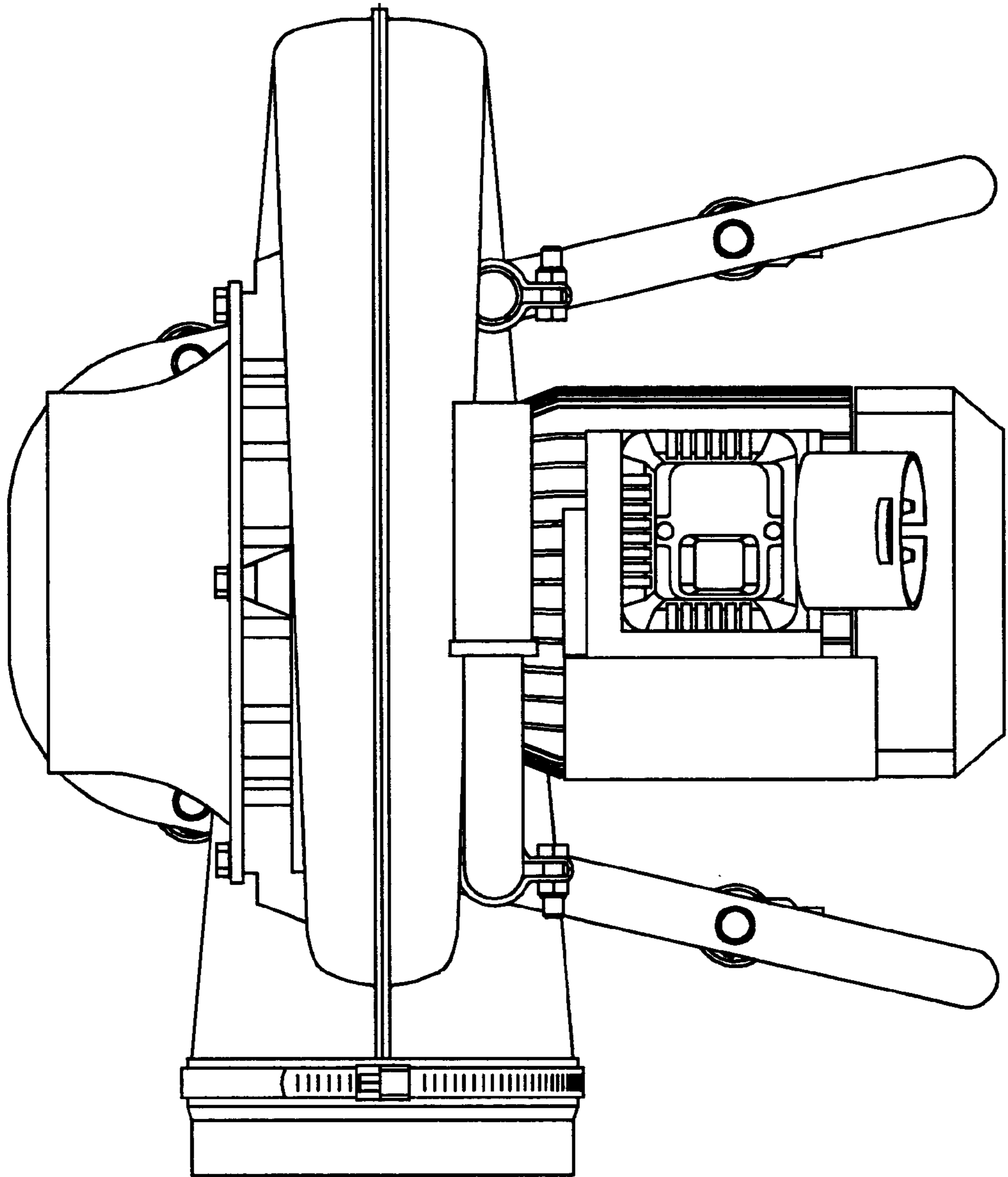


Fig.6

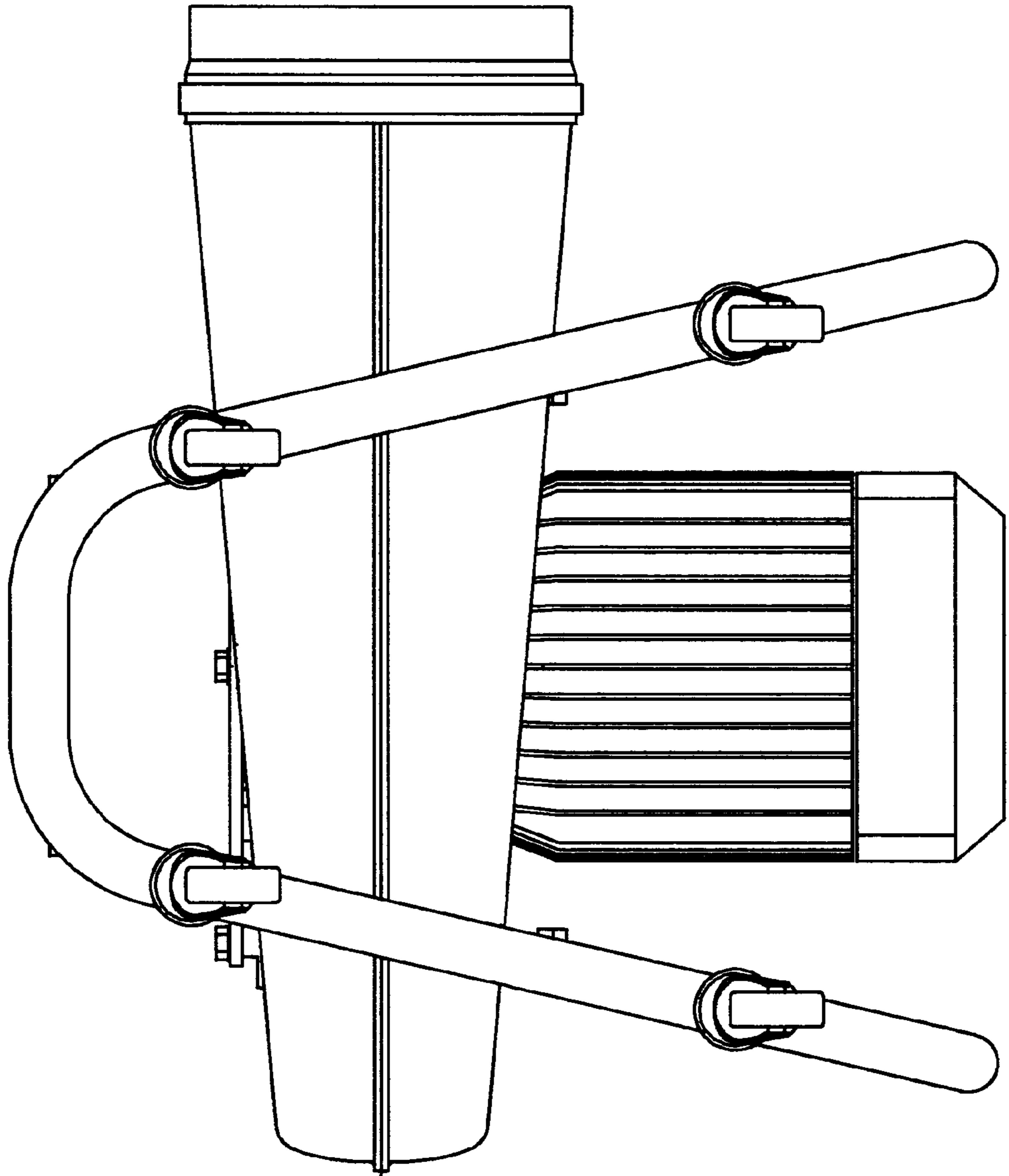


Fig.7