



US00D409733S

United States Patent [19]

[11] **Patent Number: Des. 409,733**

Anderson et al.

[45] **Date of Patent: ** *May 11, 1999**

[54] **TOILET**

[56] **References Cited**

[75] Inventors: **Folke Anderson**, Glenwood; **David Grover**, Trenton; **Lance Nordell**, Washington, all of N.J.; **David Hurley**, Newtown, Pa.; **Marc Nover**, Monmouth Junction; **William Keller**, Milltown, both of N.J.

U.S. PATENT DOCUMENTS

D. 262,647	1/1982	Kaiser	D23/301
D. 314,236	1/1991	Ament	D23/301
D. 323,551	1/1992	Fait	D23/301
D. 346,854	5/1994	Reid	D23/301
D. 353,450	12/1994	Anderson et al.	D23/301

[73] Assignee: **American Standard Inc.**, Piscataway, N.J.

Primary Examiner—Doris Clark
Assistant Examiner—Eric Watterson

[*] Notice: This patent is subject to a terminal disclaimer.

[57] **CLAIM**

The ornamental design for a toilet, as shown and described.

[**] Term: **14 Years**

DESCRIPTION

[21] Appl. No.: **29/020,937**

FIG. 1 is a top, front and left side perspective view of a toilet showing my new design;
FIG. 2 is a left side elevational view thereof;
FIG. 3 is a right side elevational view thereof;
FIG. 4 is a top plan view thereof;
FIG. 5 is a bottom plan view thereof;
FIG. 6 is a front elevational view thereof; and,
FIG. 7 is a rear elevational view thereof.

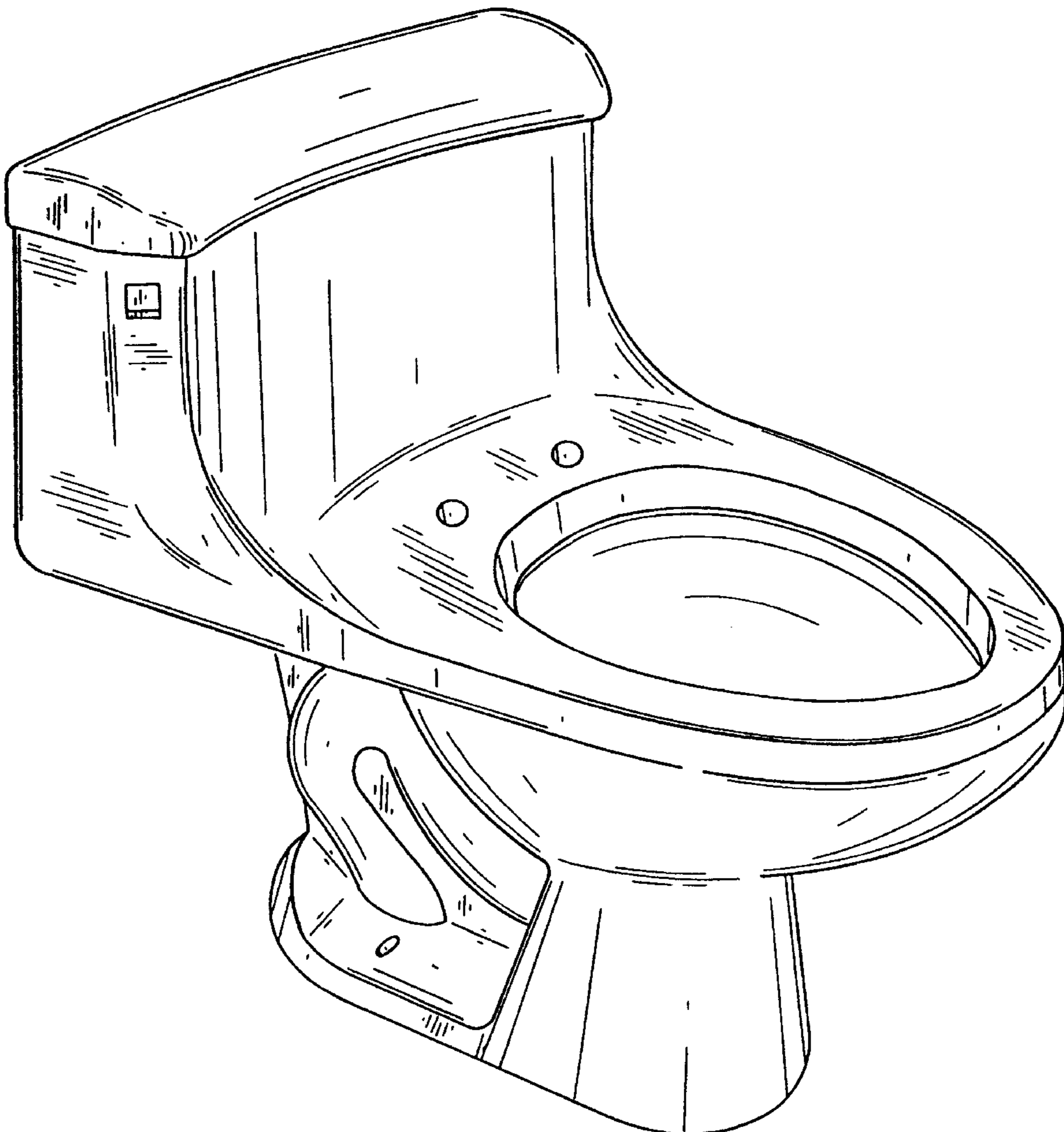
[22] Filed: **Apr. 5, 1994**

[51] **LOC (6) Cl.** **23-02**

[52] **U.S. Cl.** **D23/301**

[58] **Field of Search** D23/295-301;
4/353, 421, 424, 428, 430

1 Claim, 7 Drawing Sheets



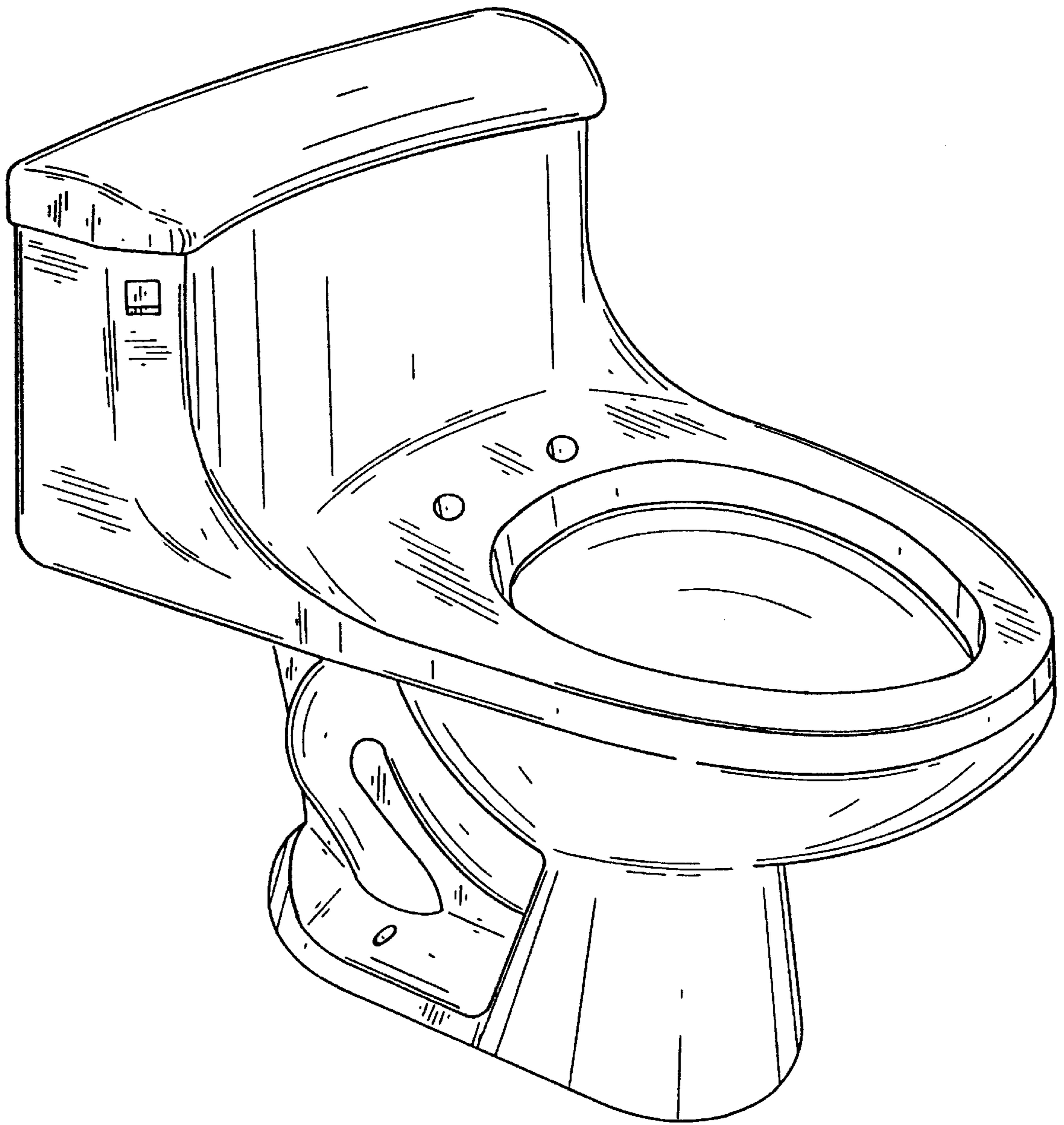


FIG. 1

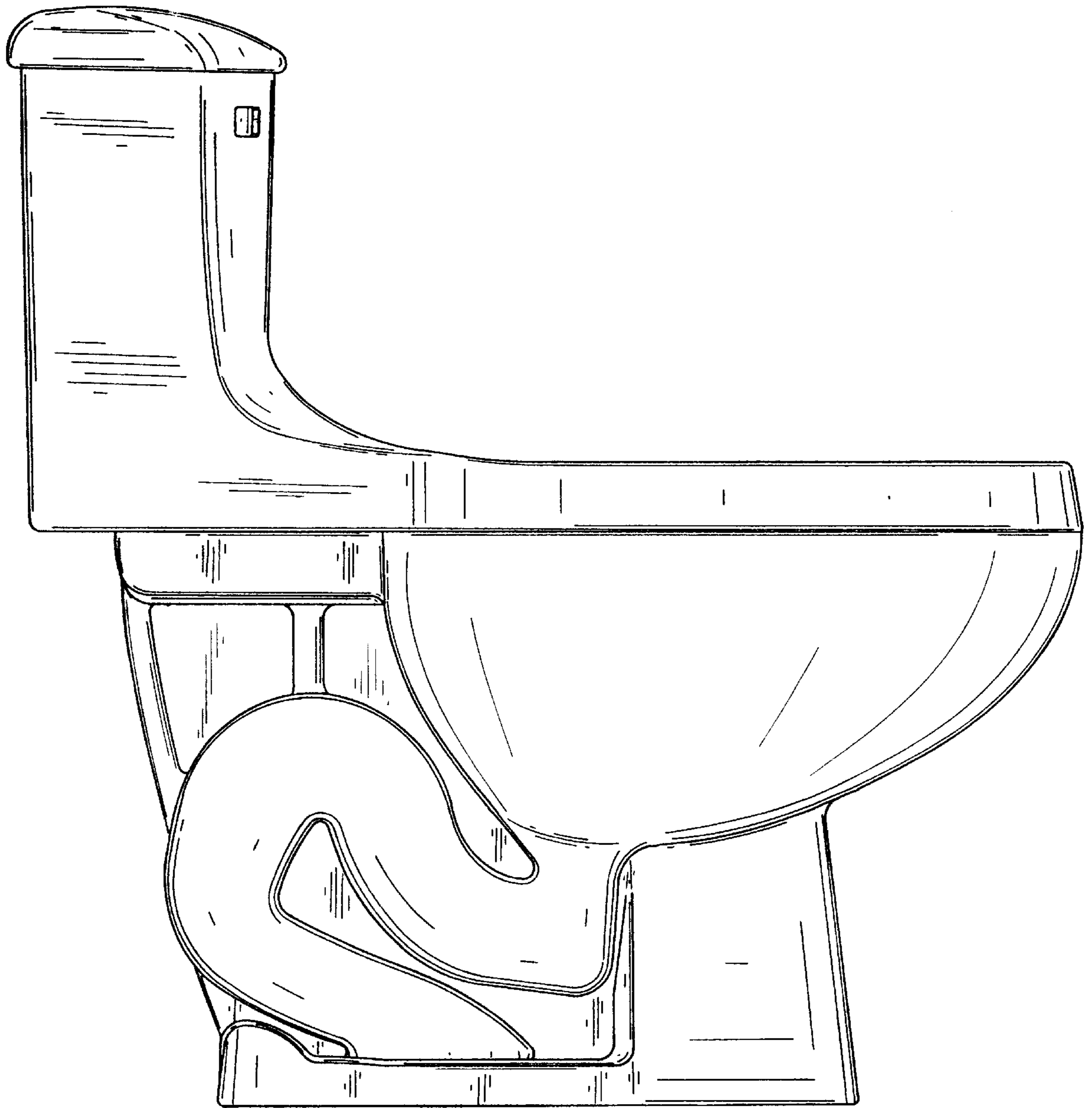


FIG. 2

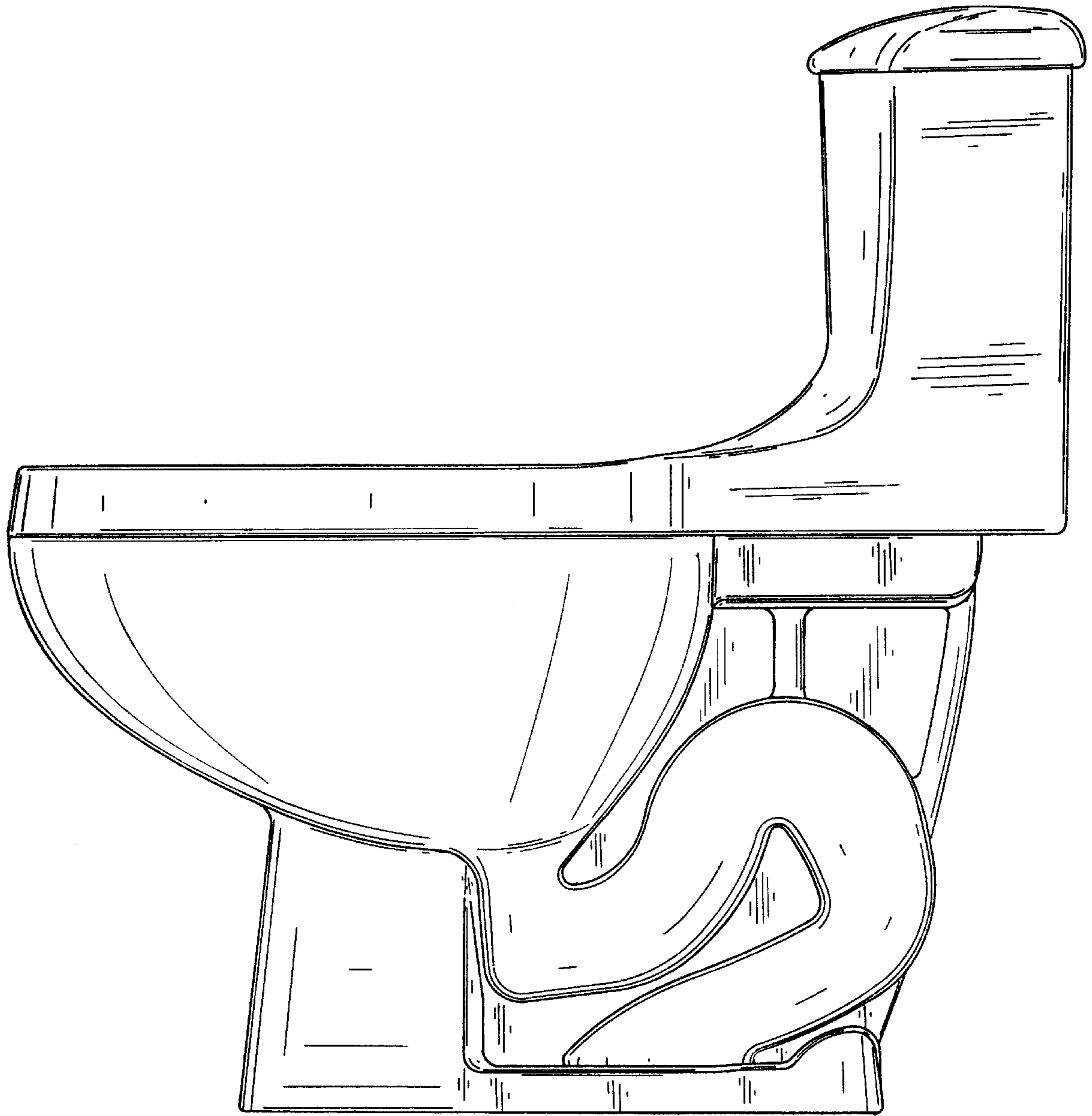
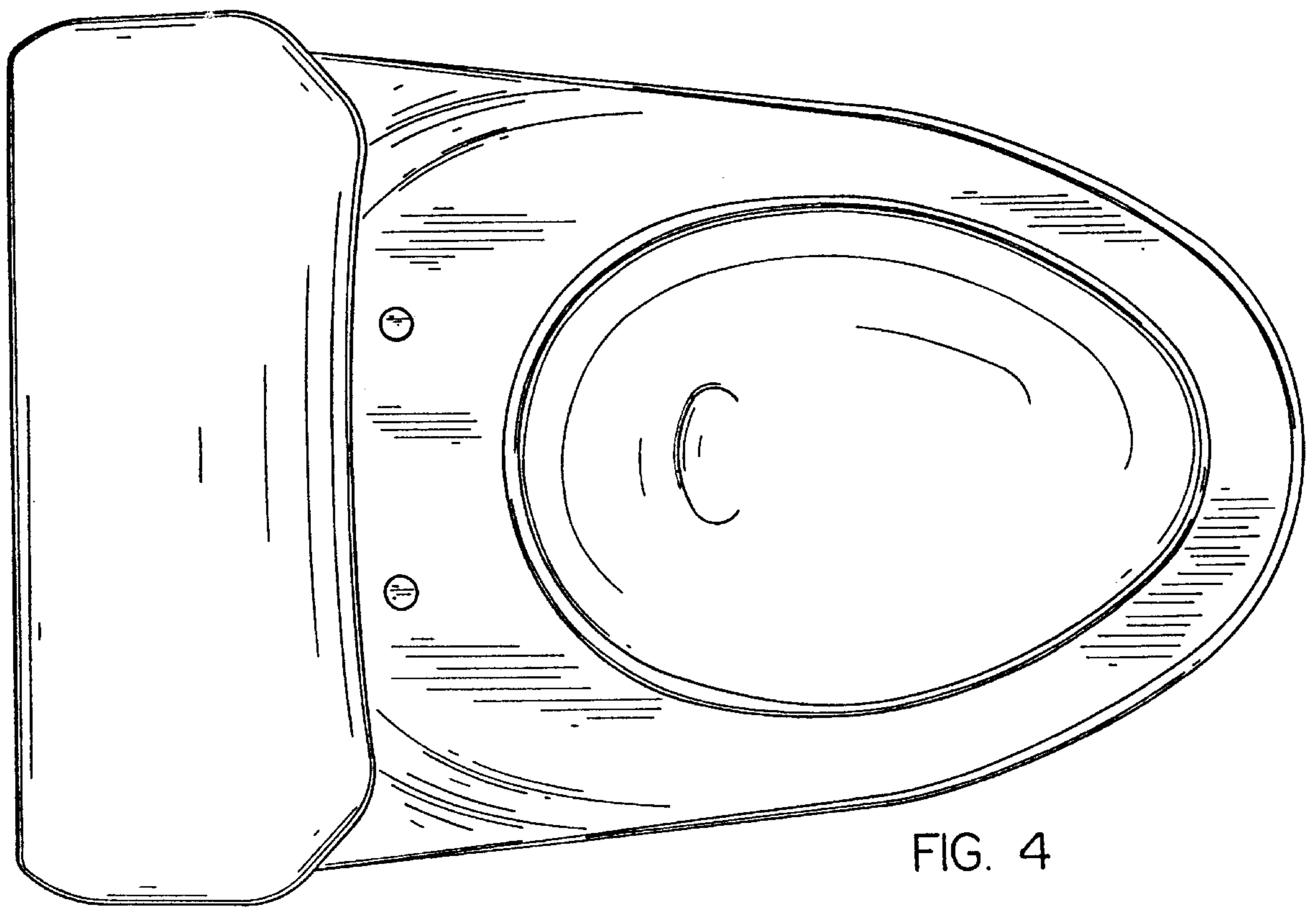


FIG. 3



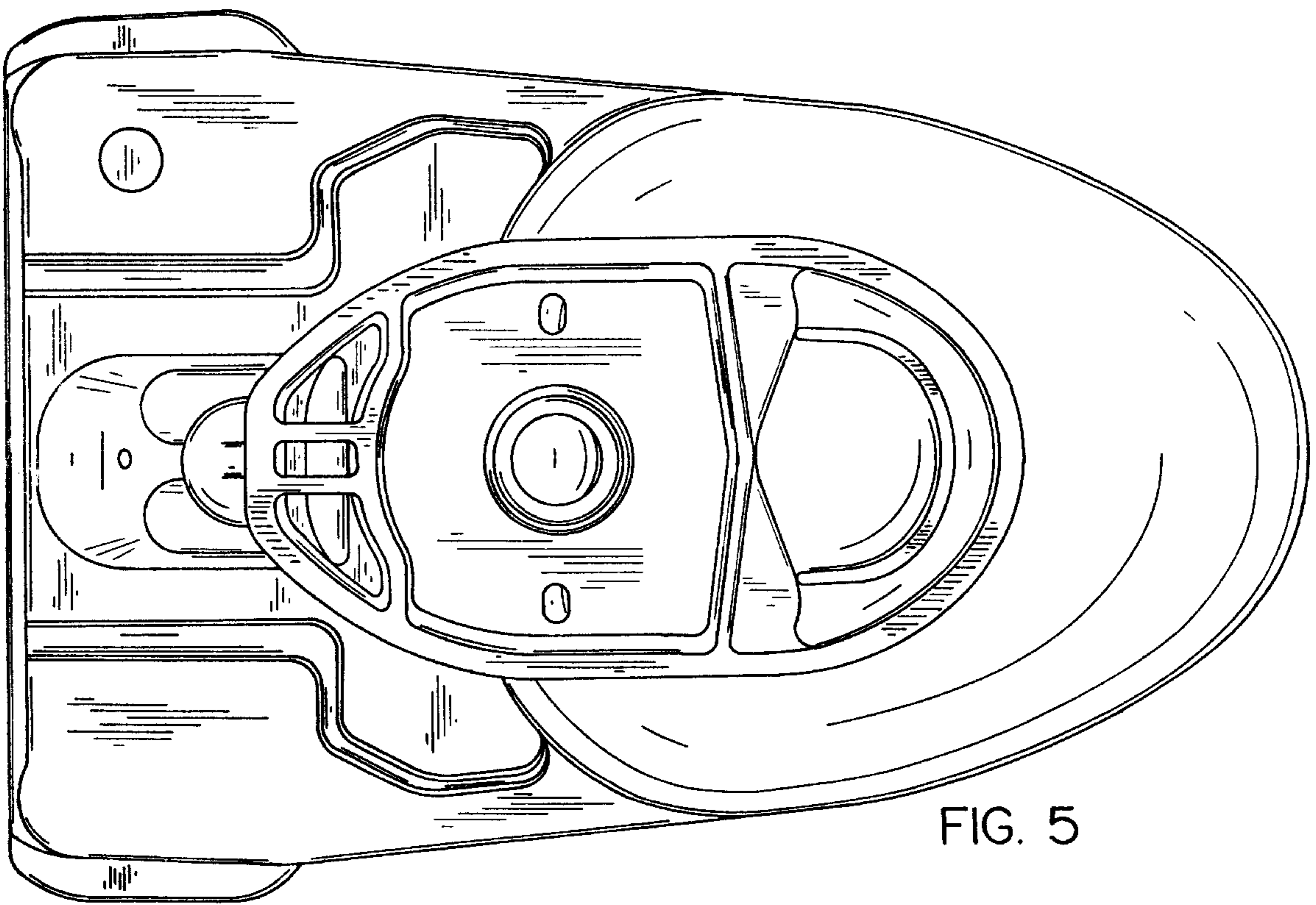


FIG. 5

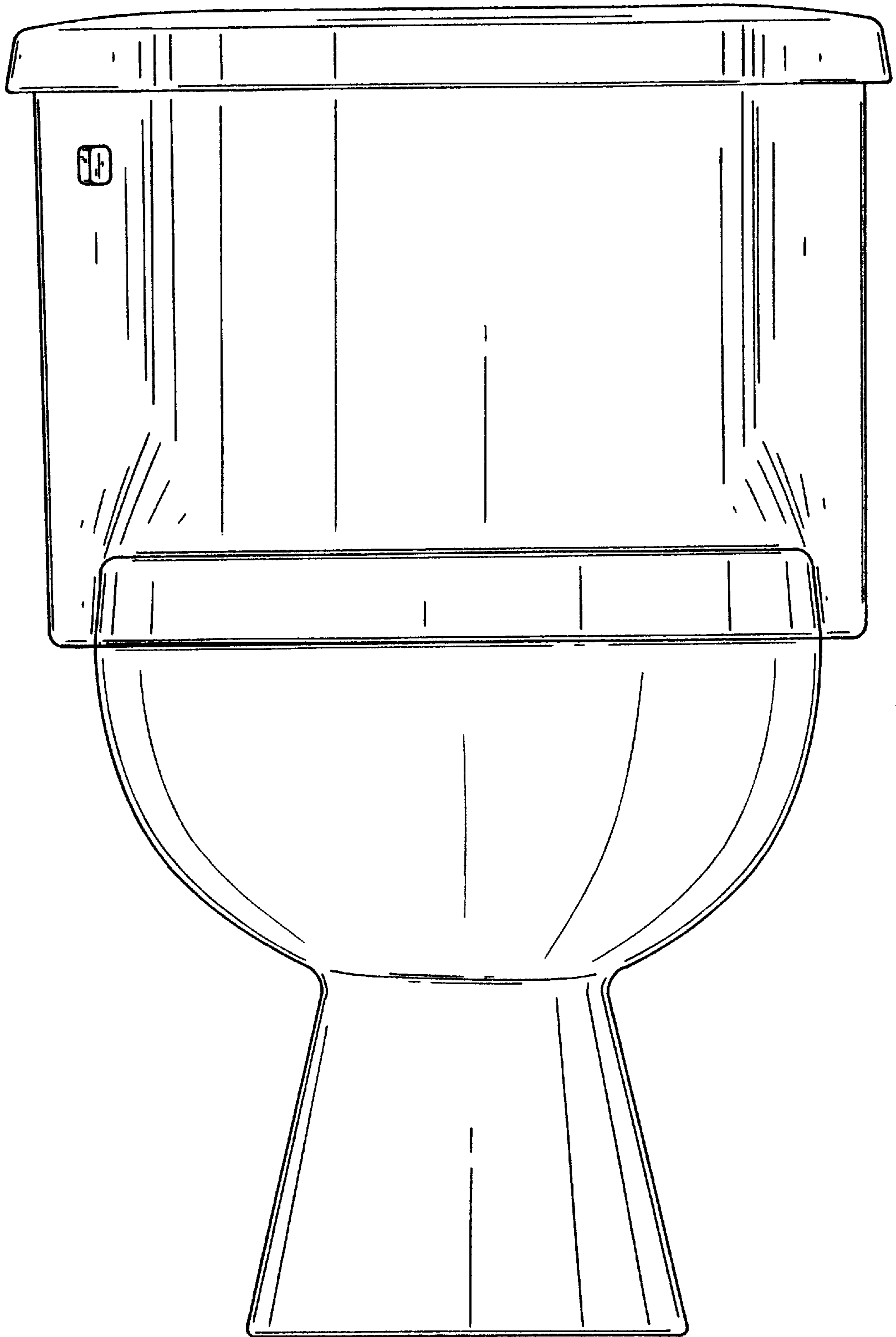


FIG. 6

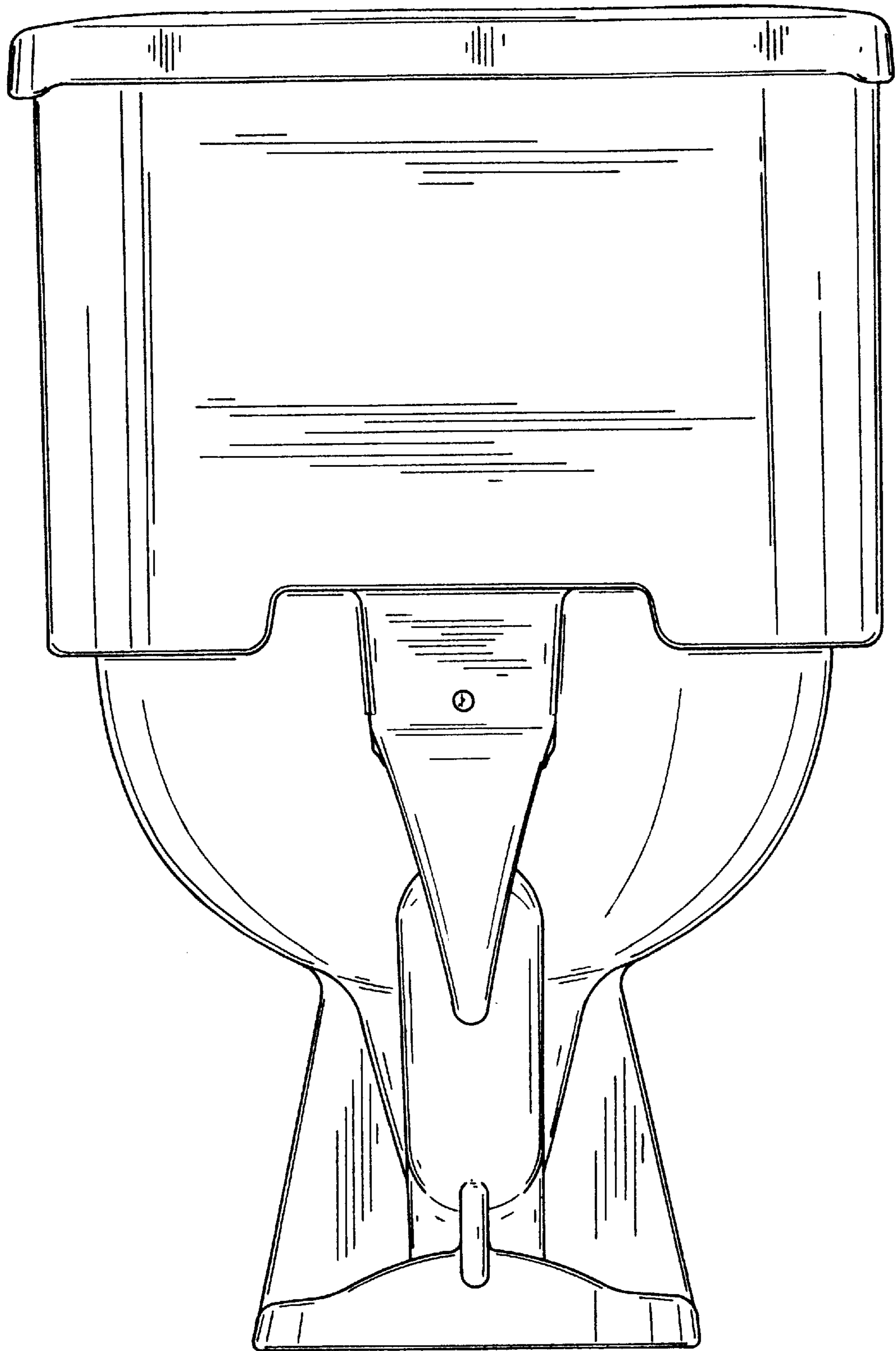


FIG. 7