

US00D409727S

**United States Patent** [19]  
**Lobermeier**

[11] **Patent Number: Des. 409,727**

[45] **Date of Patent: \*\* May 11, 1999**

[54] **WALL-MOUNT SHOWER FAUCET**

[75] Inventor: **Hans Lobermeier**, Menden, Germany

[73] Assignee: **Friedrich Grohe AG**, Hemer, Germany

[\*\*] Term: **14 Years**

[21] Appl. No.: **29/093,811**

[22] Filed: **Sep. 18, 1998**

[30] **Foreign Application Priority Data**

Apr. 16, 1998 [DE] Germany ..... 98 03 680

[51] **LOC (6) Cl.** ..... **23-01**

[52] **U.S. Cl.** ..... **D23/238**

[58] **Field of Search** ..... D23/238-243,  
D23/200-207; D8/300-310; 4/675-678

[56] **References Cited**

**U.S. PATENT DOCUMENTS**

D. 335,917 5/1993 Chretien ..... D23/238

D. 365,624 12/1995 Gottwald ..... D23/238  
D. 372,518 8/1996 Gottwald ..... D23/238  
D. 378,774 4/1997 Kergoet ..... D23/238  
D. 388,155 12/1997 Gottwald et al. .... D23/238

*Primary Examiner*—Louis S. Zarfaz  
*Assistant Examiner*—Eric Watterson  
*Attorney, Agent, or Firm*—Herbert Dubno

[57] **CLAIM**

The ornamental design for a wall-mount shower faucet, as shown and described.

**DESCRIPTION**

FIG. 1 is a top, front, left-side elevational view of a wall-mount shower faucet showing my new design; FIG. 2 is a left side elevational view thereof, the right side elevational view being mirror symmetrical thereto; FIG. 3 is a front view thereof; FIG. 4 is a bottom view thereof; FIG. 5 is a top view thereof; and, FIG. 6 is a rear view thereof.

**1 Claim, 3 Drawing Sheets**

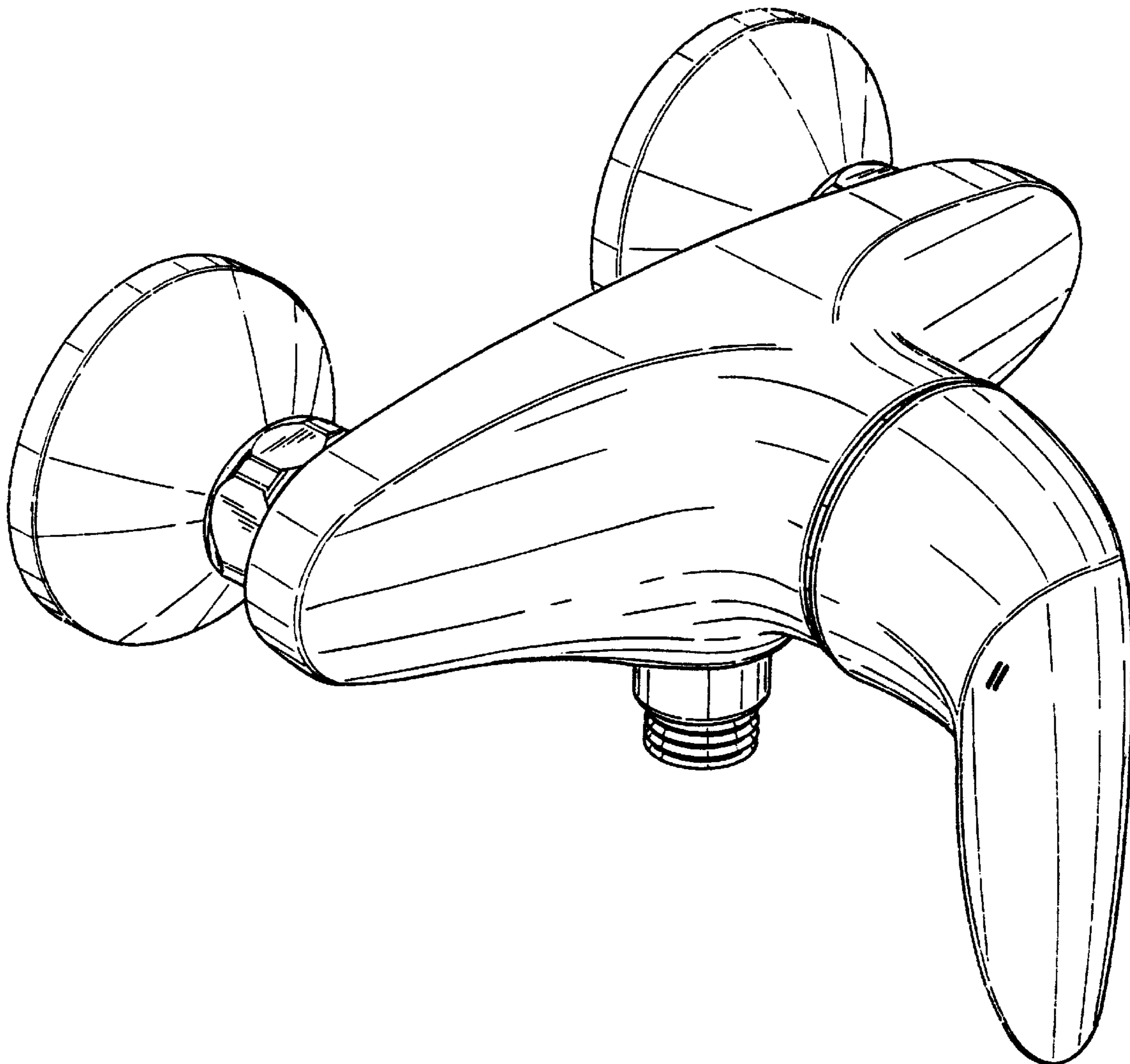


FIG. 1

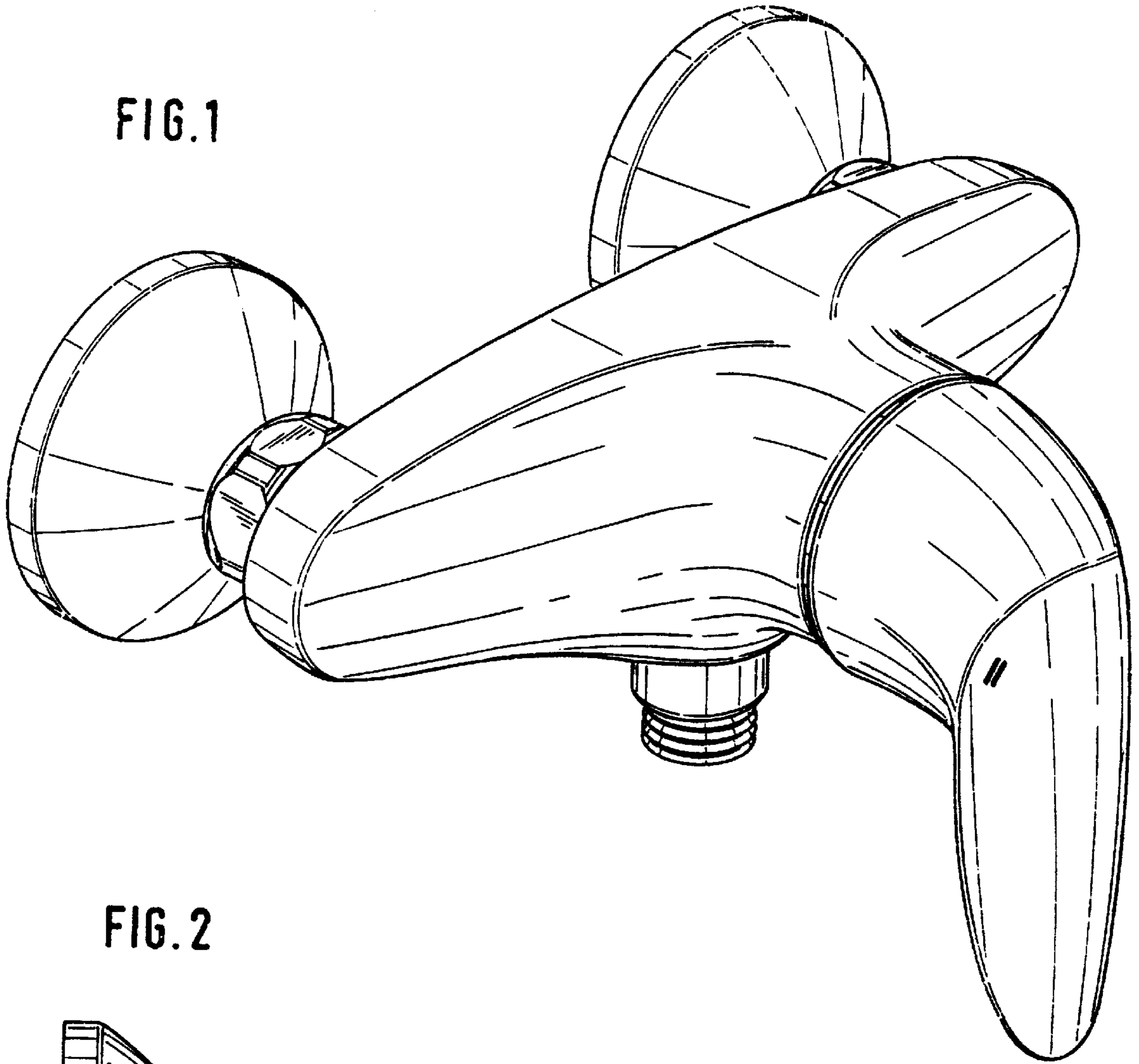
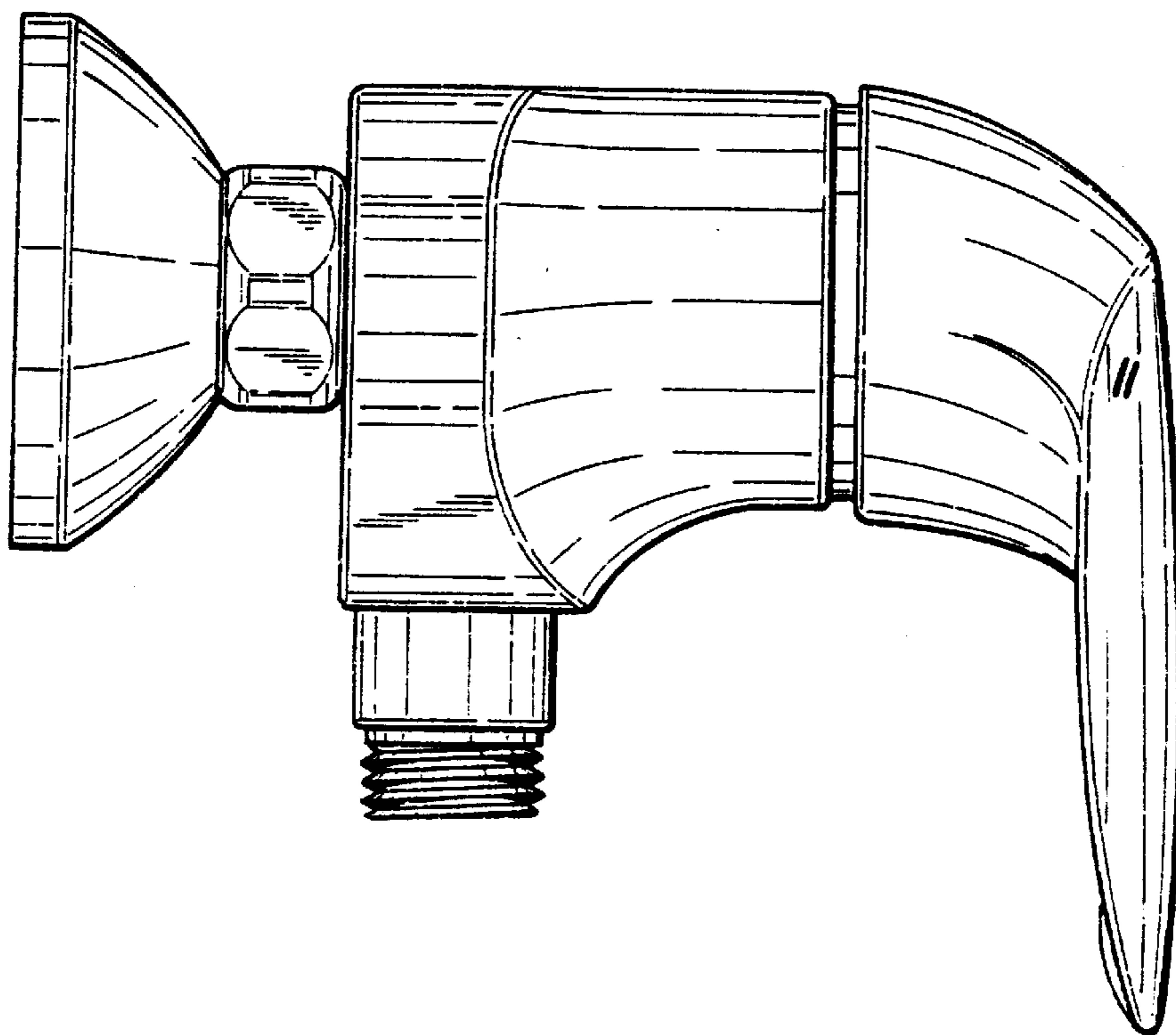


FIG. 2



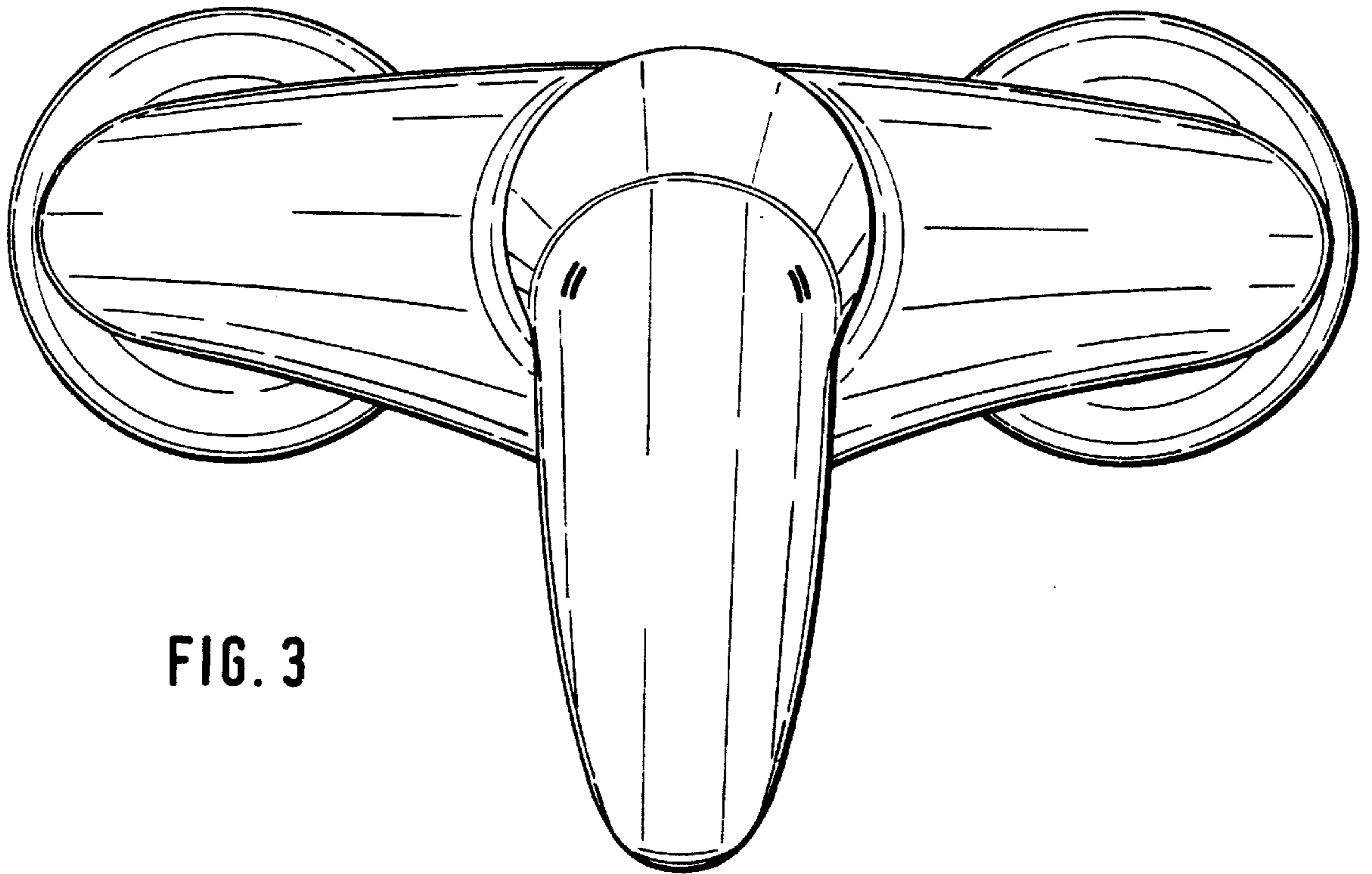


FIG. 3

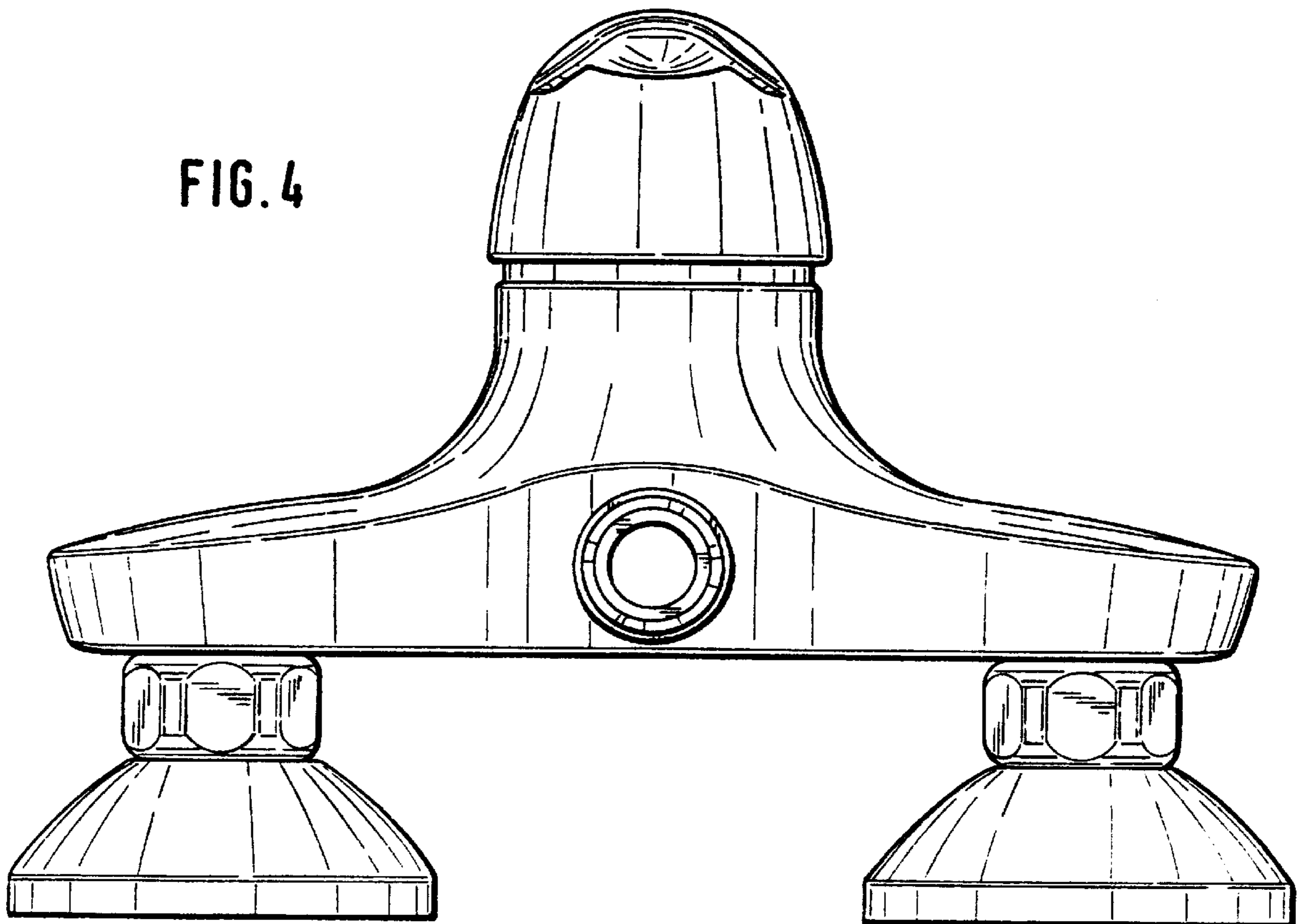


FIG. 4

FIG. 5

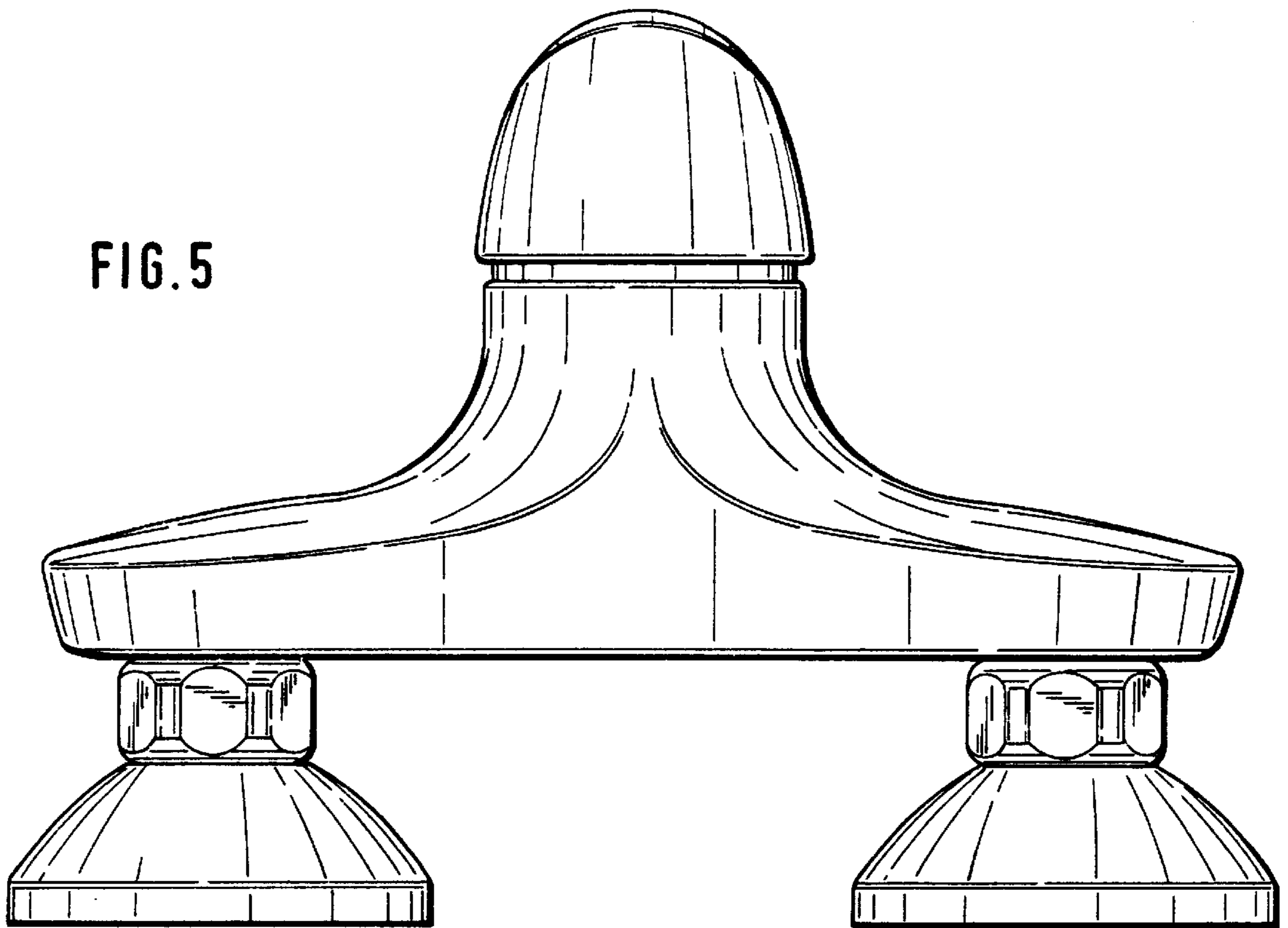


FIG. 6

