



US00D409726S

United States Patent [19] Formgren

[11] **Patent Number: Des. 409,726**

[45] **Date of Patent: ** May 11, 1999**

[54] **FAUCET**

[75] **Inventor: Anna-Pia K. Formgren, Sheboygan, Wis.**

[73] **Assignee: Kohler Co., Kohler, Wis.**

[**] **Term: 14 Years**

[21] **Appl. No.: 29/069,020**

[22] **Filed: Apr. 23, 1997**

[51] **LOC (6) Cl. 23-01**

[52] **U.S. Cl. D23/238**

[58] **Field of Search D23/238-243,
D23/250-257; 4/75-78; 137/801**

[56] **References Cited**

U.S. PATENT DOCUMENTS

| | | | | |
|------------|--------|--------------|-------|---------|
| D. 217,671 | 5/1970 | Rowlands | | D23/238 |
| D. 227,761 | 7/1973 | Srbon | | D23/238 |
| D. 291,590 | 8/1987 | Bengtsson | | D23/238 |
| D. 349,326 | 8/1994 | Bollenbacher | | D23/238 |
| D. 351,017 | 9/1994 | Gottwald | | D23/238 |

OTHER PUBLICATIONS

A Stanadyne ad showing the 33.500.350 faucet, undated, admitted prior art.

Pp. 18 and 20 of a Kohler catalog, undated, admitted prior art.

A 1985 SH ad showing the Flair faucet.

A 1997 Hansgrohe ad for a Carlton faucet (Applicant reserves the right to review whether this is prior art).

Primary Examiner—Louis S. Zarfes
Assistant Examiner—Eric Watterson
Attorney, Agent, or Firm—Quarles & Brady LLP

[57] **CLAIM**

The ornamental design for a faucet, as shown and described.

DESCRIPTION

FIG. 1 is a left, top, front perspective view of a faucet embodying my new design;

FIG. 2 is a left side elevational view thereof, the right side elevational view being a mirror image of the left side shown;

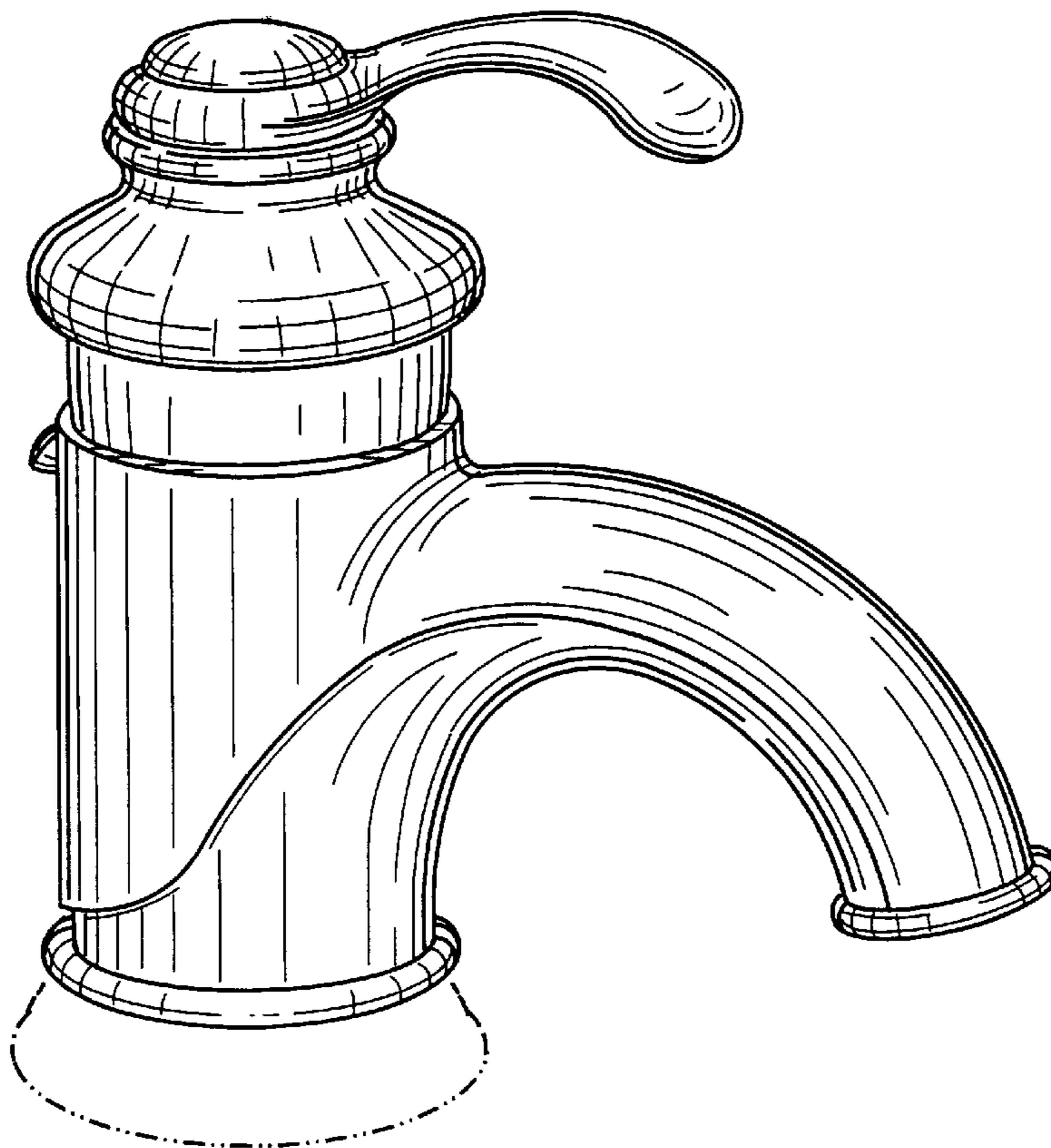
FIG. 3 is a front elevational view thereof;

FIG. 4 is a rear elevational view thereof; and,

FIG. 5 is a top plan view thereof.

The broken line representations of escutcheons in FIGS. 1-5 are for the purpose of illustration only, and form no part of the claimed design.

1 Claim, 2 Drawing Sheets



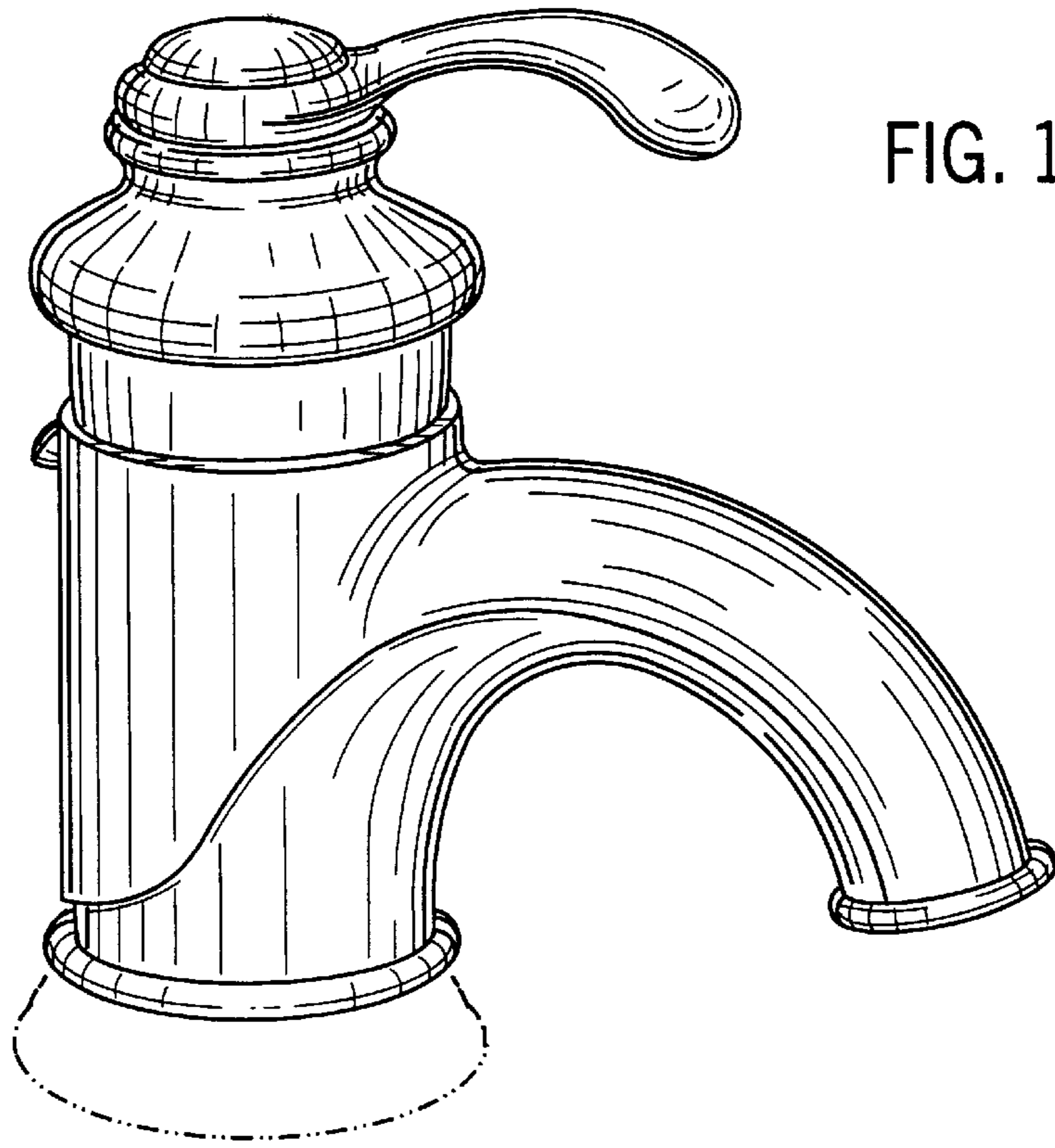


FIG. 1

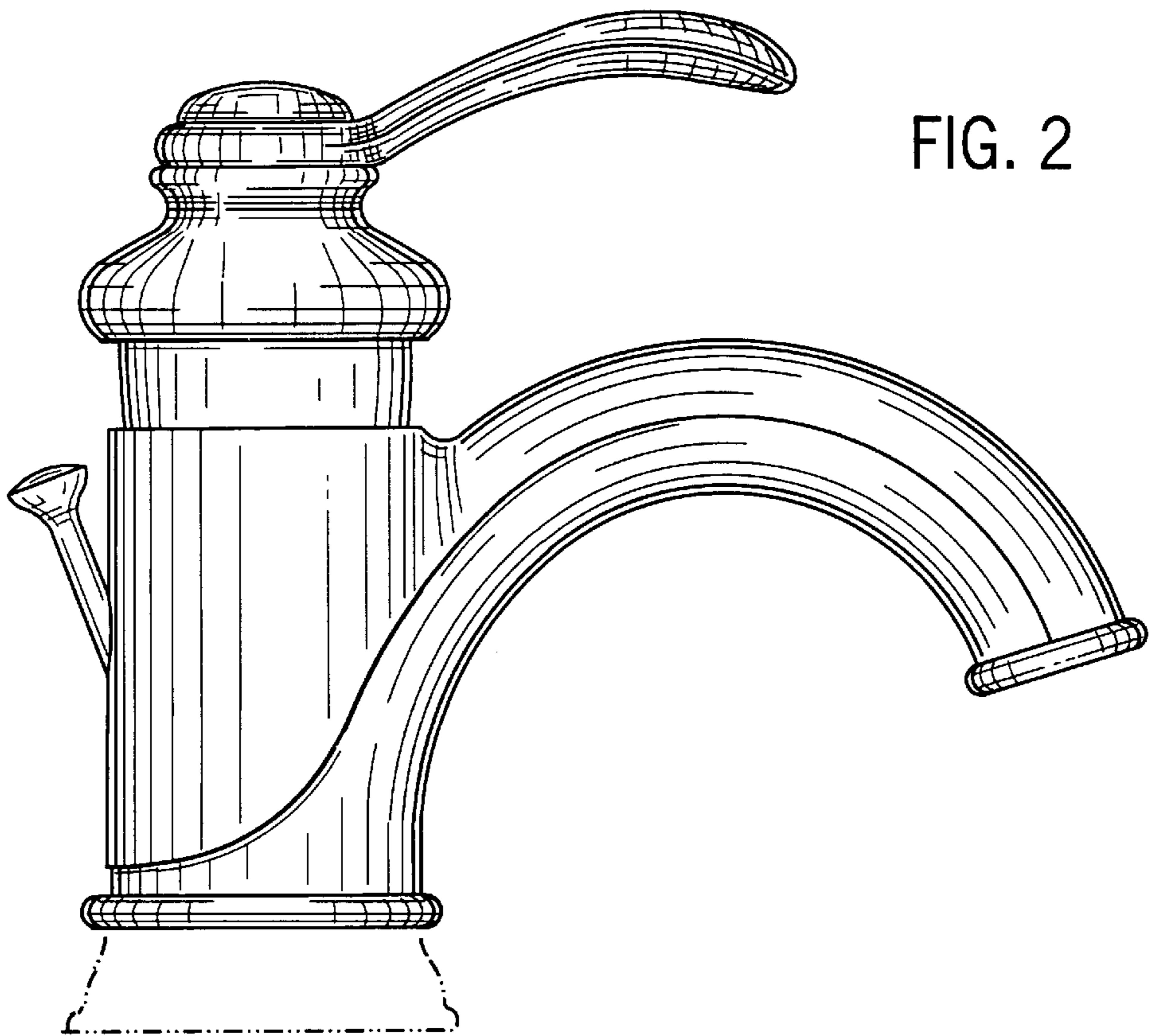


FIG. 2

FIG. 3

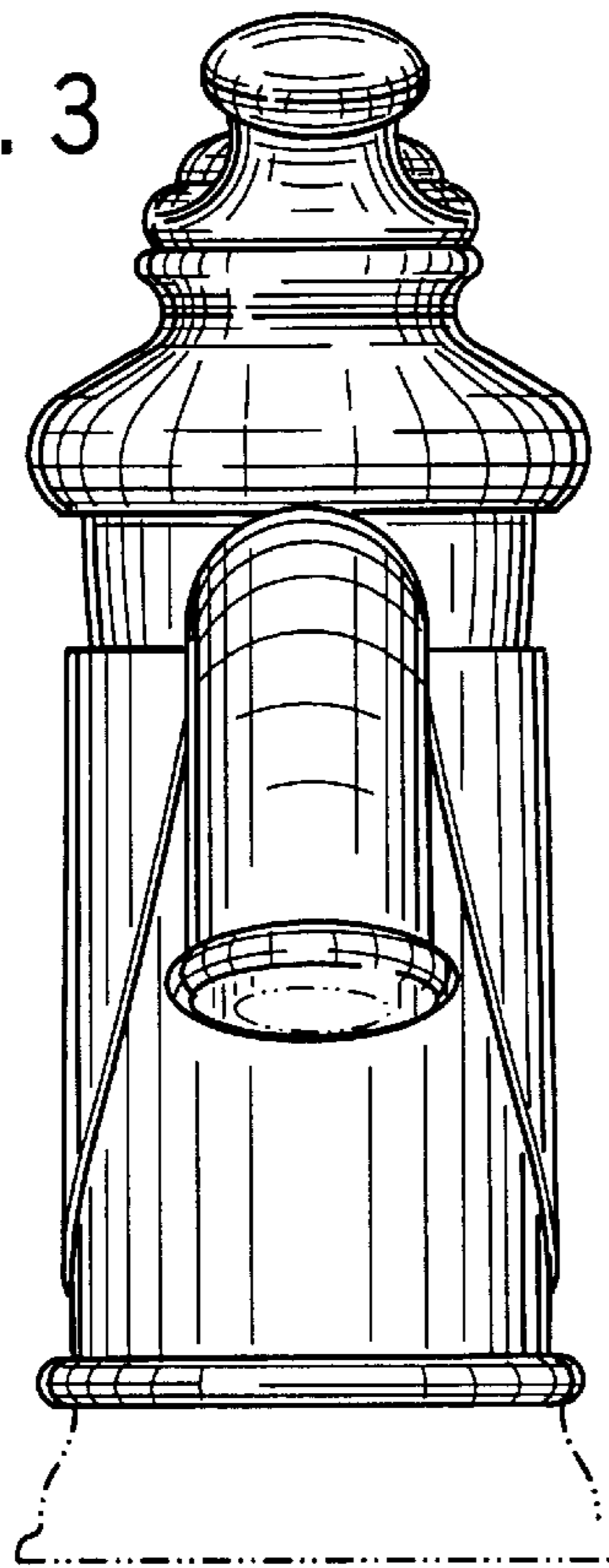


FIG. 4

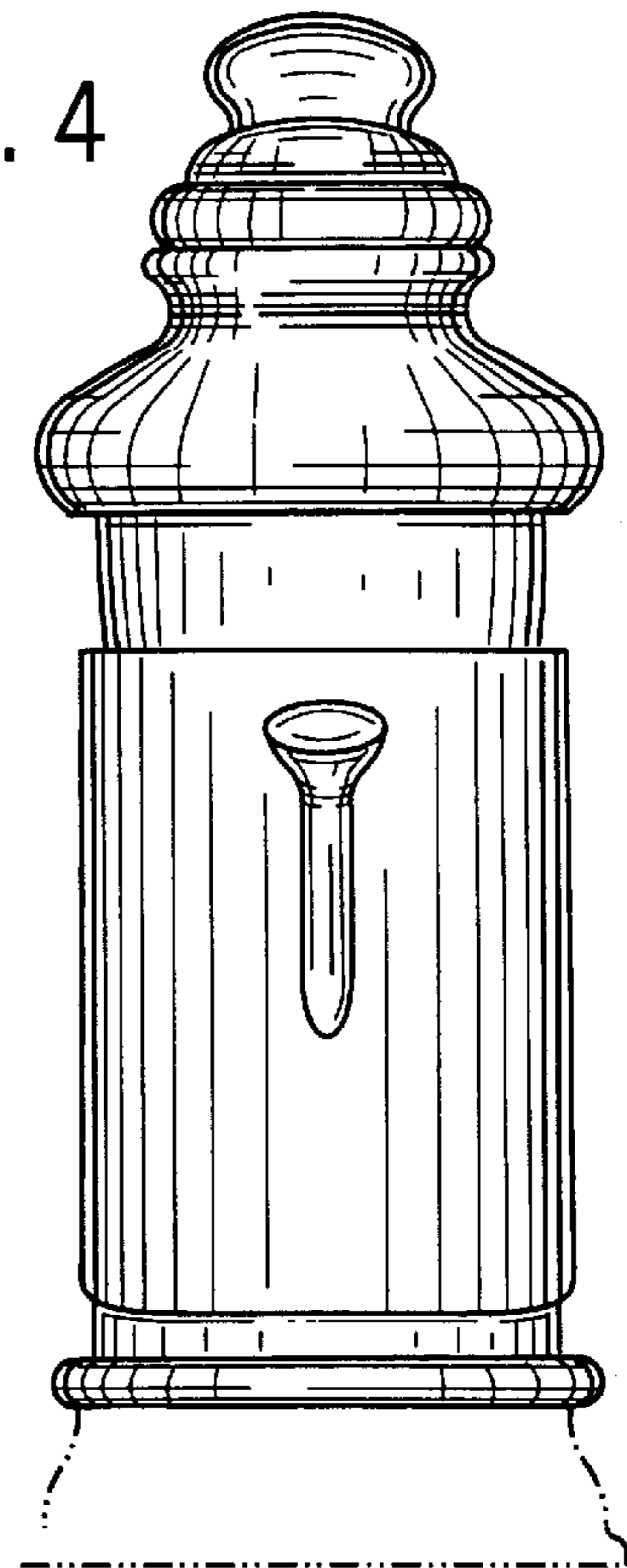


FIG. 5

