



US00D409725S

United States Patent [19]

Ito et al.

[11] **Patent Number: Des. 409,725**

[45] **Date of Patent: ** May 11, 1999**

[54] **VALVE POSITIONER**

D. 288,469 2/1987 Pryor D23/235
3,590,848 7/1971 Svenson 137/116.3

[75] Inventors: **Kofuku Ito; Yoshiro Honda**, both of
Yokohama, Japan

[73] Assignee: **Yamatake-Honeywell Co., Ltd.**, Tokyo,
Japan

Primary Examiner—Alan P. Douglas
Assistant Examiner—Robin V. Taylor
Attorney, Agent, or Firm—Whitham, Curtis & Whitham

[**] Term: **14 Years**

[57] CLAIM

[21] Appl. No.: **29/086,628**

We claim the ornamental design for a valve positioner, as shown and described.

[22] Filed: **Apr. 16, 1998**

DESCRIPTION

[30] Foreign Application Priority Data

Oct. 17, 1997 [JP] Japan 9-71950

FIG. 1 is a rear elevation view of the valve positioner.
FIG. 2 is a front elevation view of the valve positioner.
FIG. 3 is a top plan view of the valve positioner.
FIG. 4 is a bottom plan view of the valve positioner.
FIG. 5 is a left side elevation view of the valve positioner.
FIG. 6 is a right side elevation view of the valve positioner;
and,
FIG. 7 is an isometric view of the valve positioner.

[51] **LOC (6) Cl.** **23-01**

[52] **U.S. Cl.** **D23/235**

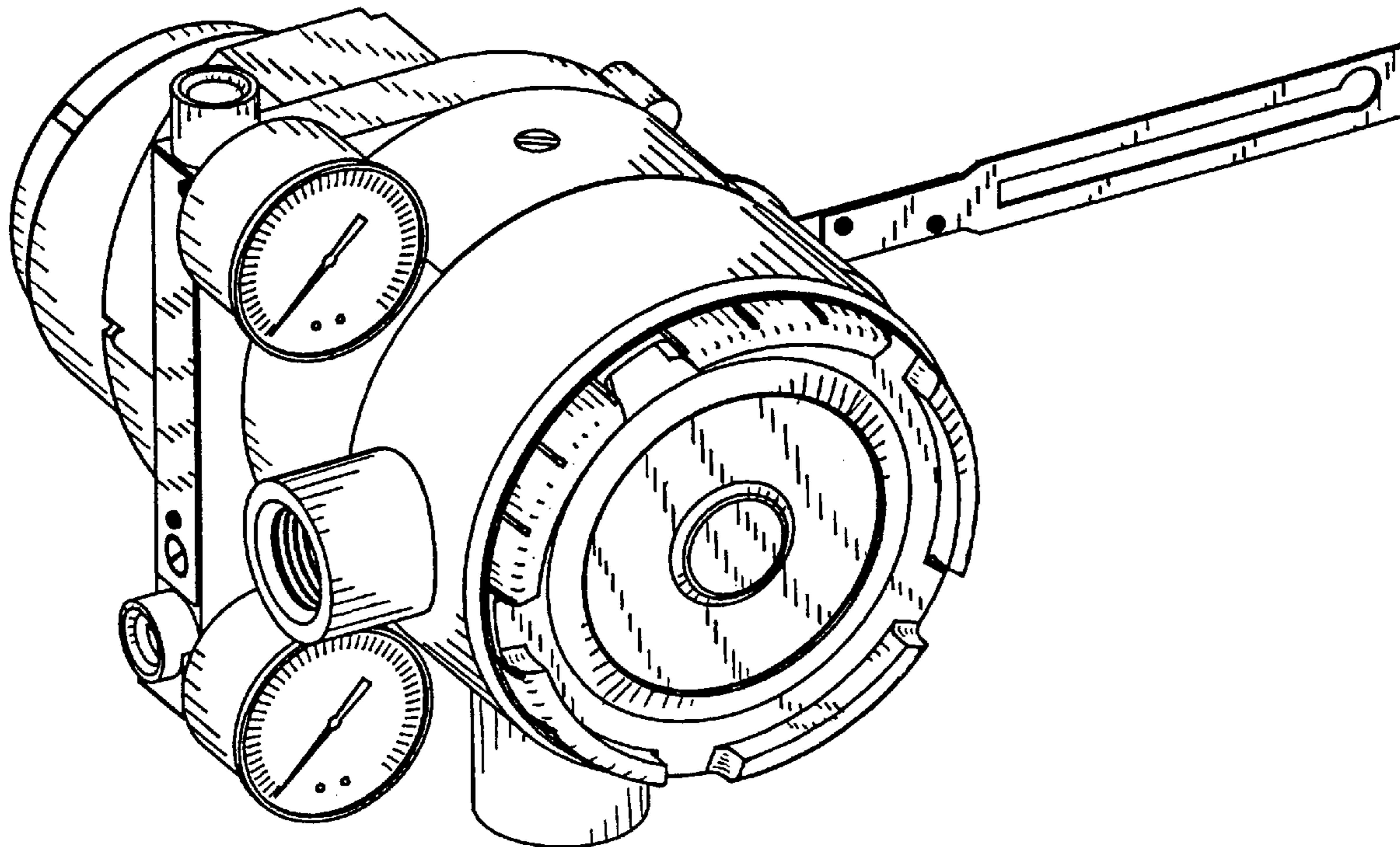
[58] **Field of Search** D23/233-235,
D23/244-246; 137/85, 557, 505, 116.3

[56] References Cited

U.S. PATENT DOCUMENTS

D. 179,112 11/1956 Becker D23/235

1 Claim, 4 Drawing Sheets



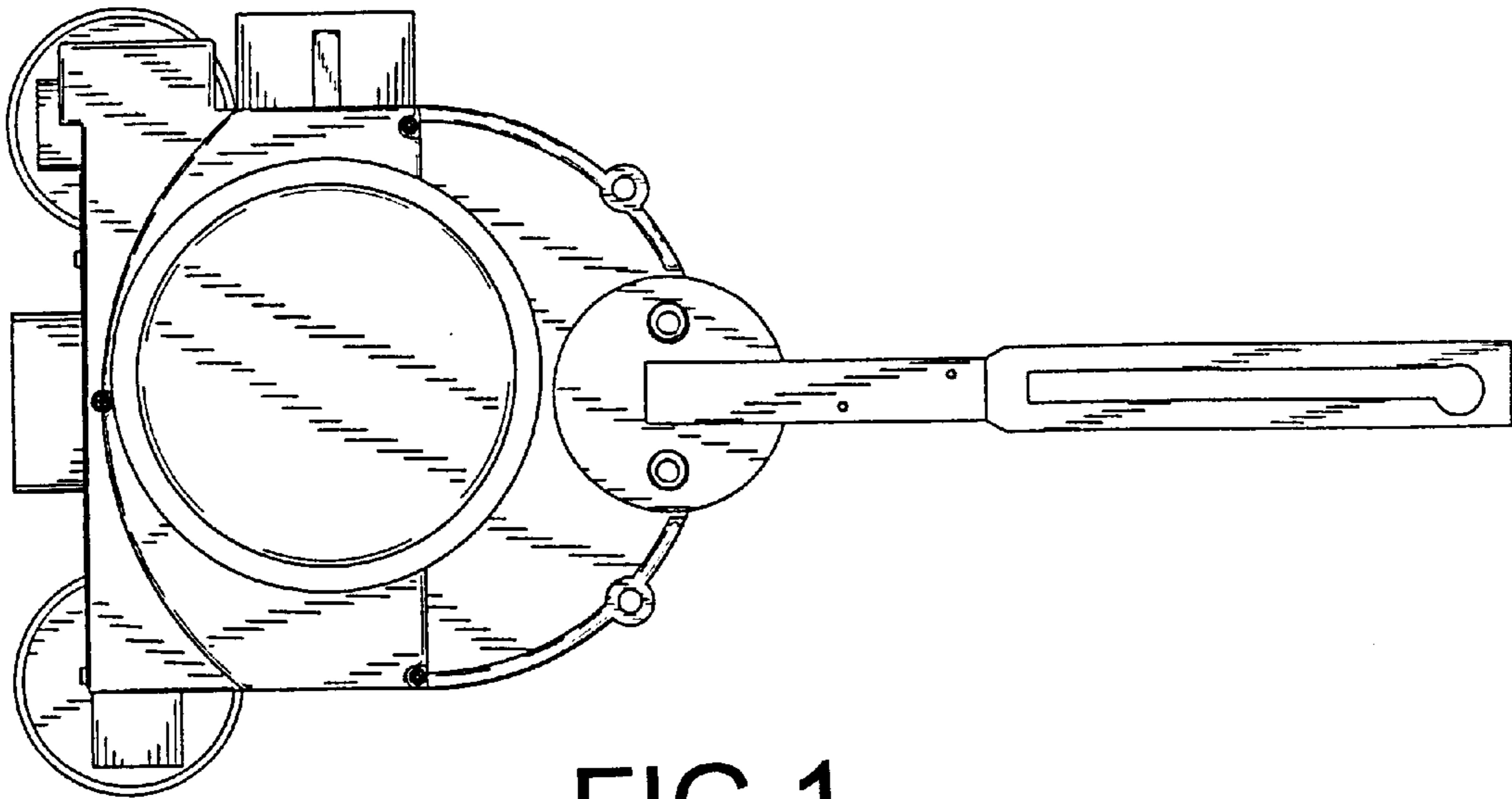


FIG. 1

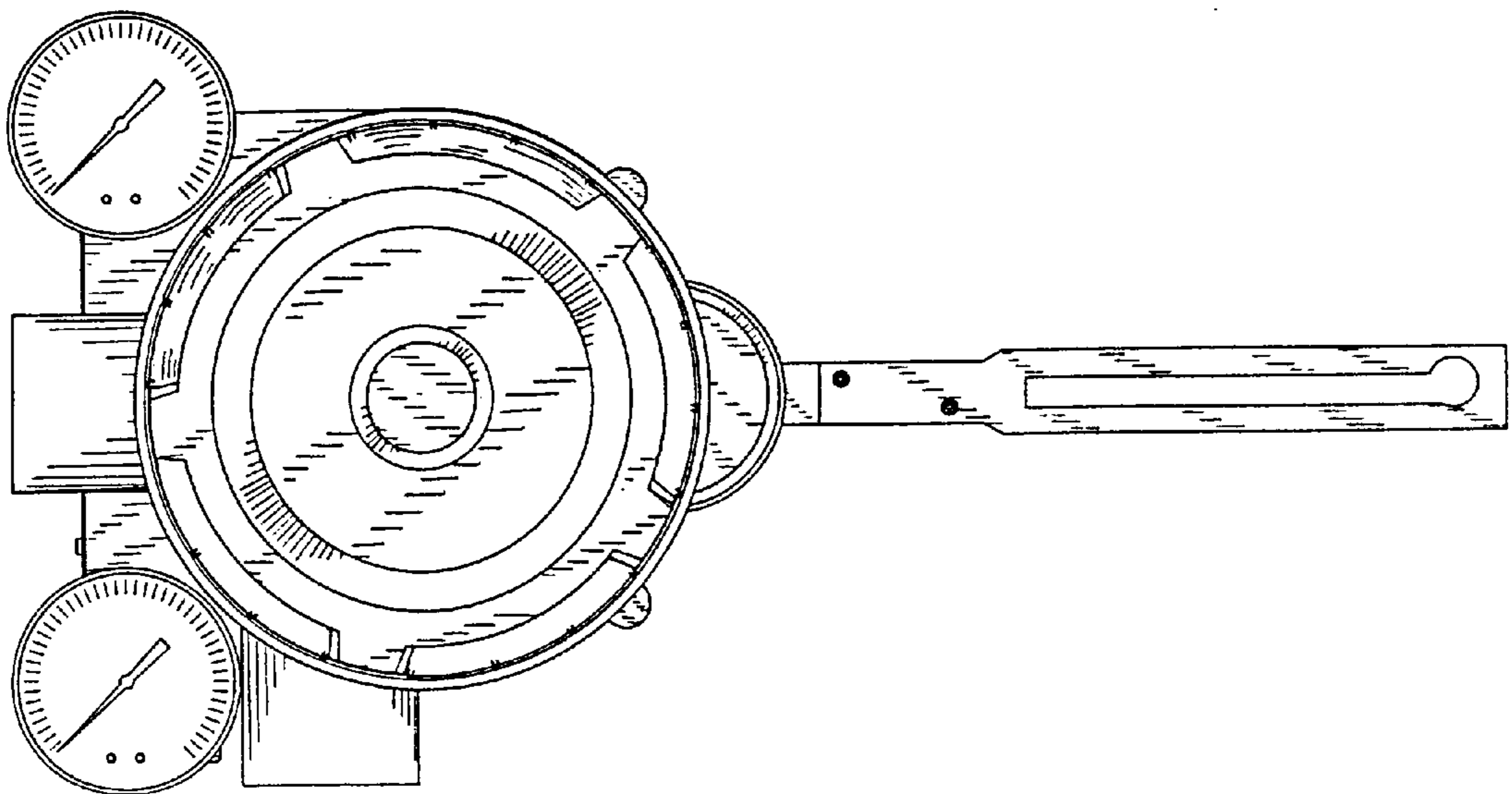


FIG. 2

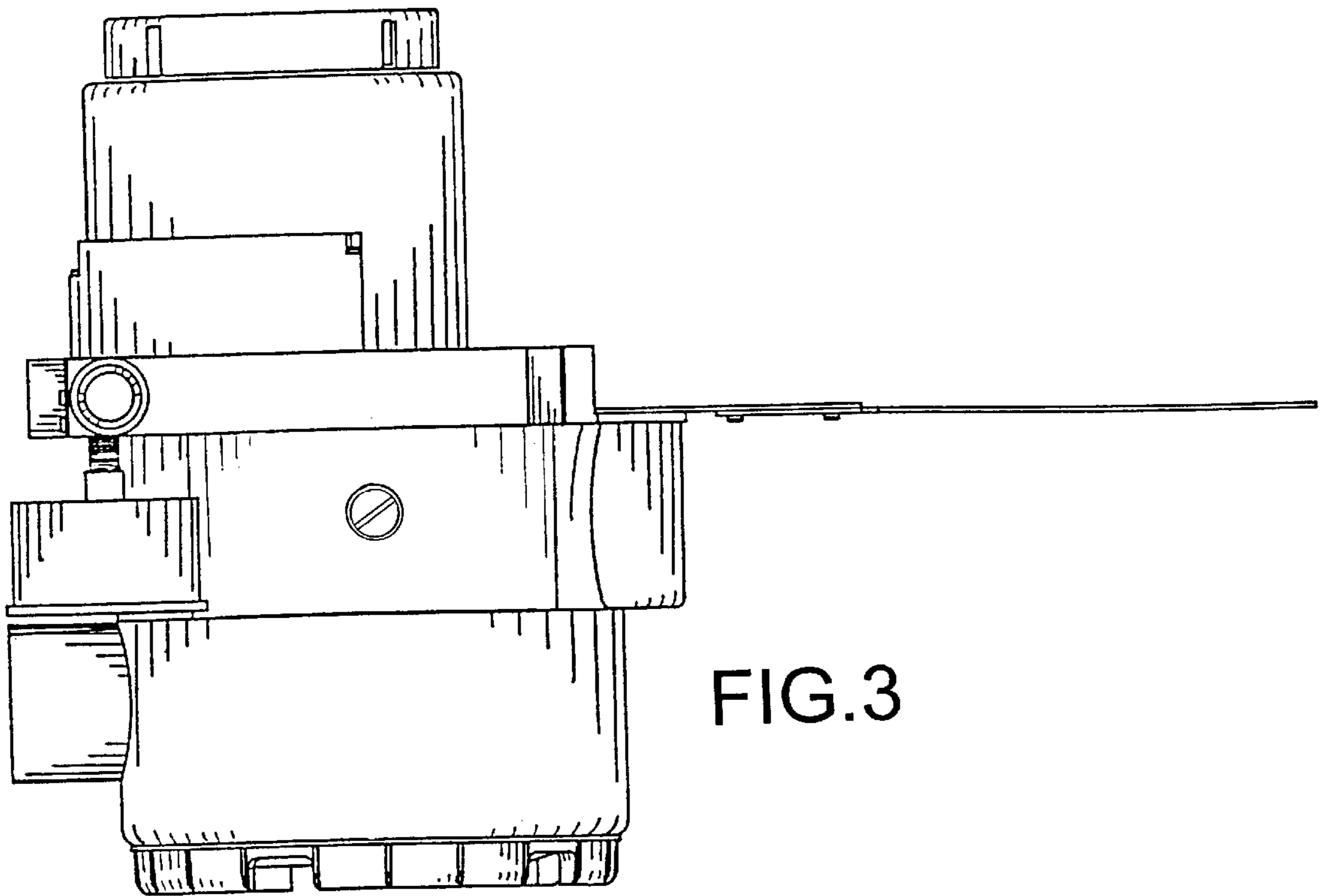


FIG.3

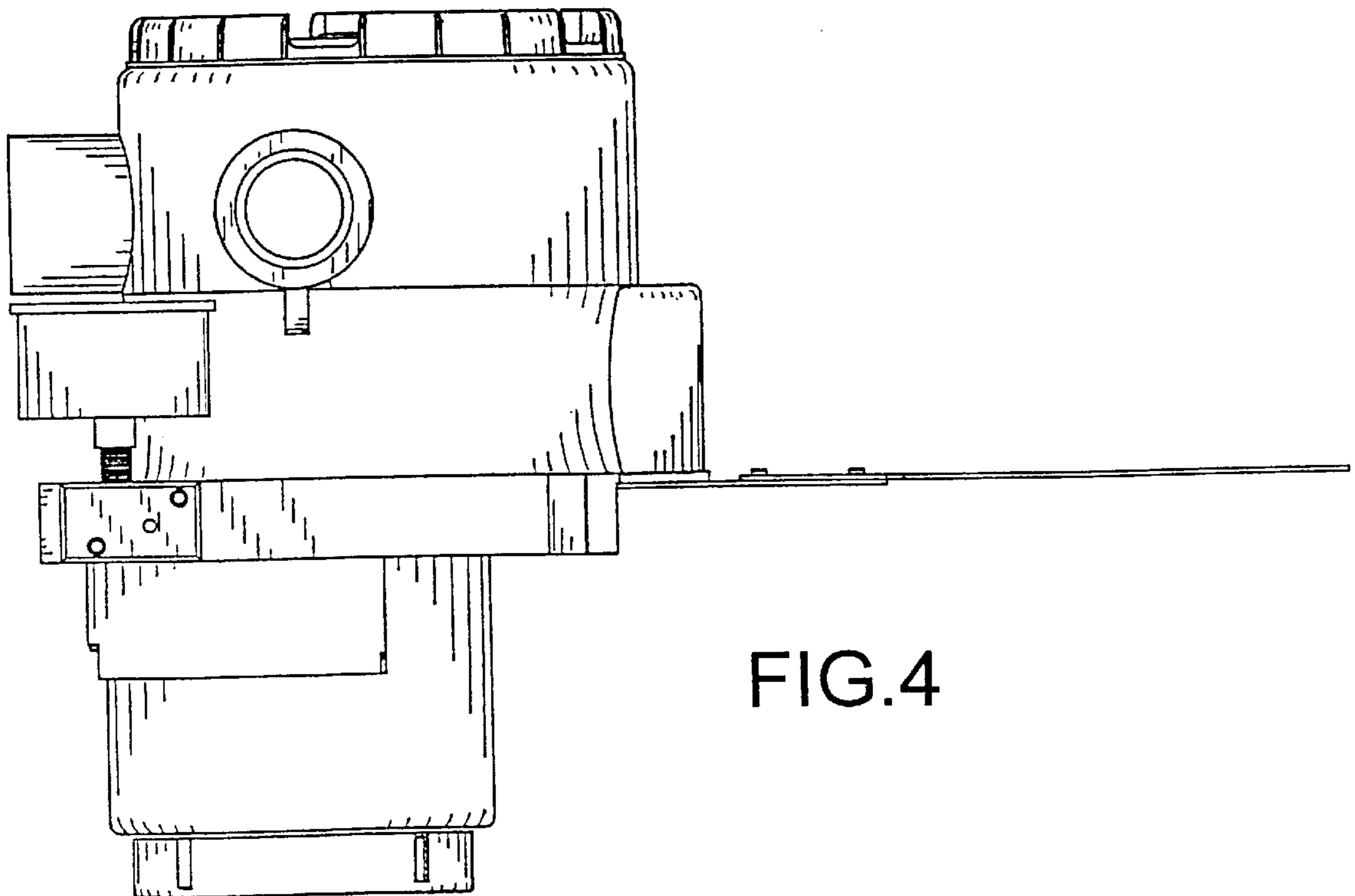


FIG.4

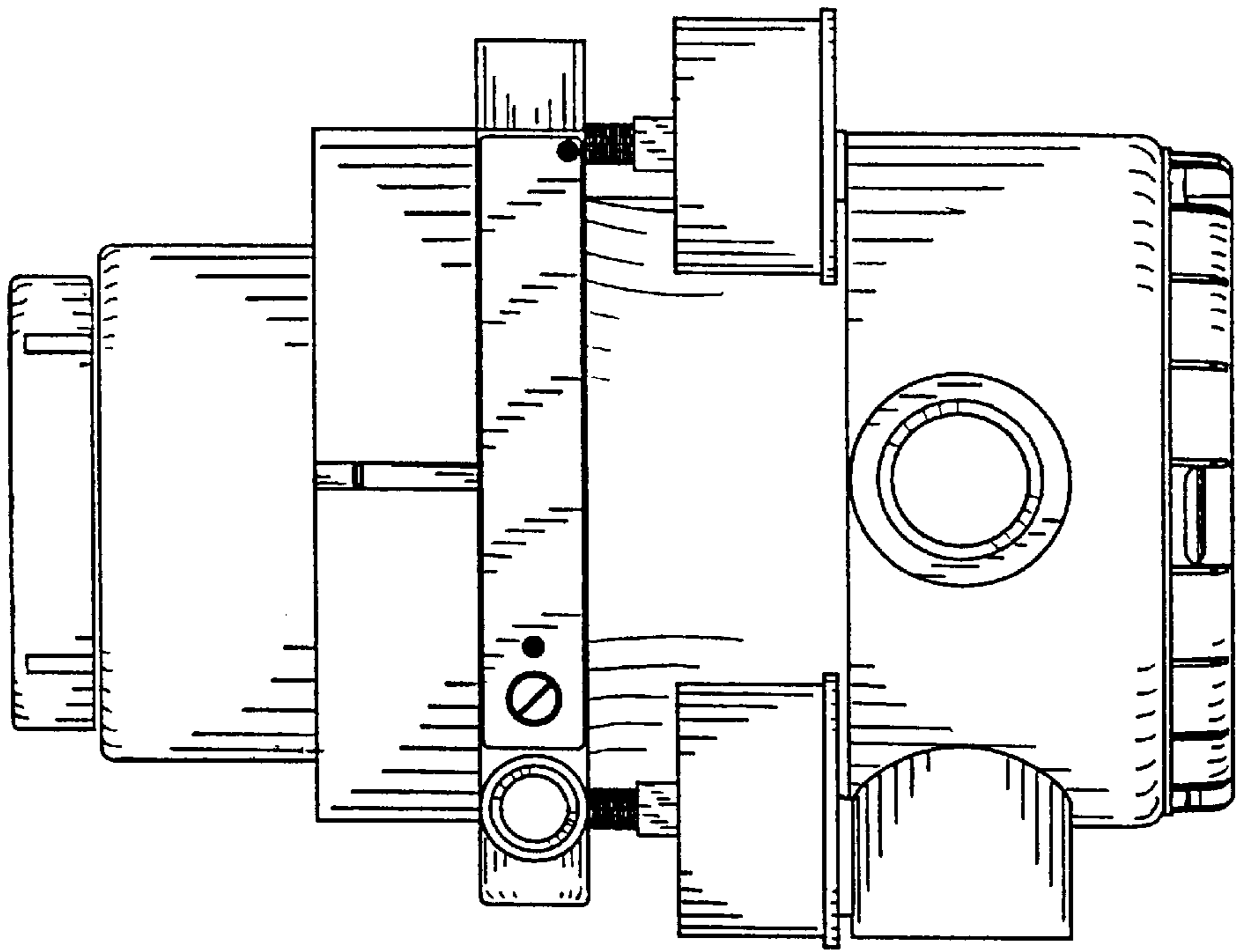


FIG. 5

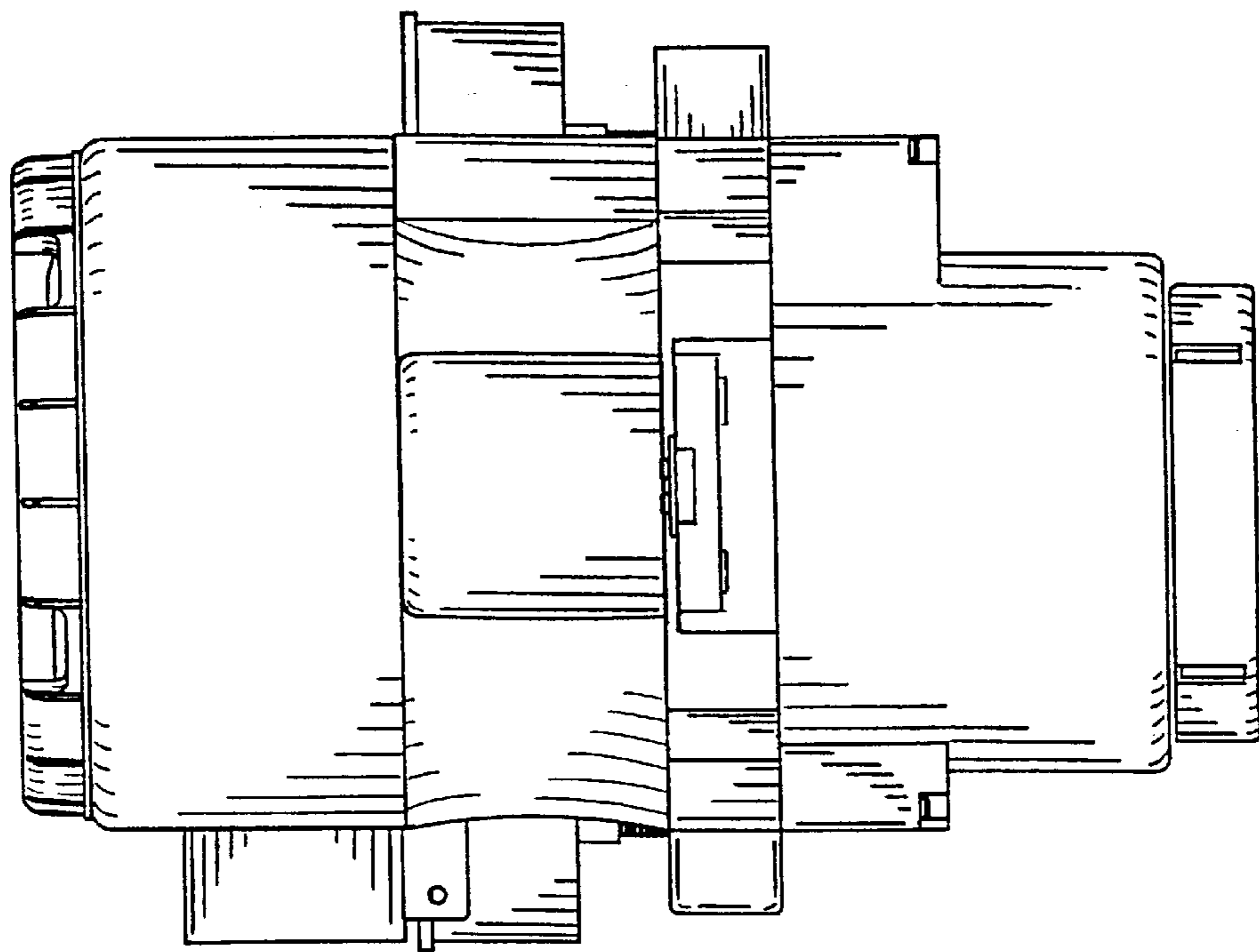


FIG. 6

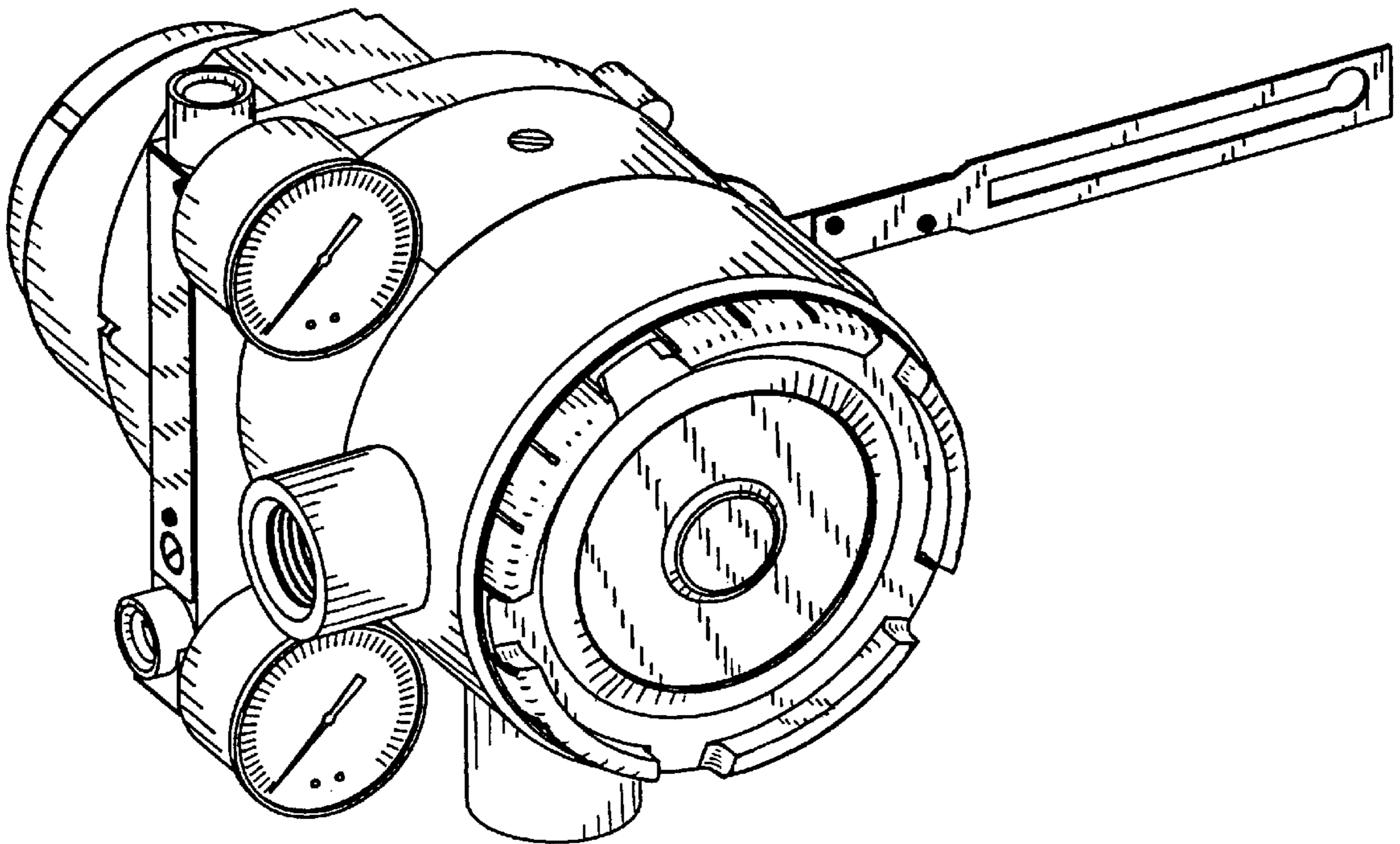


FIG.7