



US00D409722S

United States Patent [19]

[11] Patent Number: Des. 409,722

Alvern

[45] Date of Patent: ** May 11, 1999

[54] UPPER MEMBER OF AN ADVERTISING CARRYING BODY FOR USE ON A FILLER GUN

4,690,182	9/1987	Knaus .
5,058,637	10/1991	Fell .
5,184,309	2/1993	Simpson et al. .
5,184,655	2/1993	Fell .
5,385,182	1/1995	Dyer .
5,458,170	10/1995	Ferguson .

[75] Inventor: Stein Alvern, Houston, Tex.

[73] Assignee: Alvern-Norway A/S, Norway

[**] Term: 14 Years

[21] Appl. No.: 29/078,732

[22] Filed: Oct. 28, 1997

Related U.S. Application Data

[62] Division of application No. 29/060,806, Oct. 8, 1996, Pat. No. Des. 392,683.

[30] Foreign Application Priority Data

Apr. 11, 1996 [NO] Norway D960230

[51] LOC (6) Cl. 23-01

[52] U.S. Cl. D23/227

[58] Field of Search D15/9.1; D23/227; 141/392; 137/379

[56] References Cited

U.S. PATENT DOCUMENTS

D. 173,006	9/1954	Anderson .	
D. 173,007	9/1954	Anderson .	
D. 194,013	11/1962	Sutcliffe	D23/227
D. 279,483	7/1985	Goldman .	
D. 279,484	7/1985	Goldman .	
D. 366,310	1/1996	Fell .	
D. 389,559	1/1998	Alvern	D23/227
D. 396,089	7/1998	Alvern	D23/227
4,408,791	10/1983	Griffin et al. .	
4,465,209	8/1984	Wilder .	

FOREIGN PATENT DOCUMENTS

S-122642	2/1995	Australia .
S-123343	5/1995	Australia .
0407271A1	1/1991	European Pat. Off. .
62-208396	9/1987	Japan .
850627	10/1992	Japan .
1393062	5/1975	United Kingdom .
2147273	5/1985	United Kingdom .
WO 90/08375	7/1990	WIPO .

Primary Examiner—Ralf Seifert
Attorney, Agent, or Firm—Finnegan, Henderson, Farabow, Garrett & Dunner, L.L.P.

[57] CLAIM

I claim the ornamental design for an upper member of an advertising carrying body for use on a filler gun, as shown and described.

DESCRIPTION

FIG. 1 is a top, front perspective view from one side of the upper member of the advertising carrying body.
 FIG. 2 is a top, rear perspective view from the other side of the upper member of the advertising carrying body.
 FIG. 3 is a bottom, rear perspective view from said one side of the upper member.
 FIG. 4 is a bottom, front perspective view of the upper member; and,
 FIG. 5 is a top, front perspective view of the upper member.

1 Claim, 3 Drawing Sheets

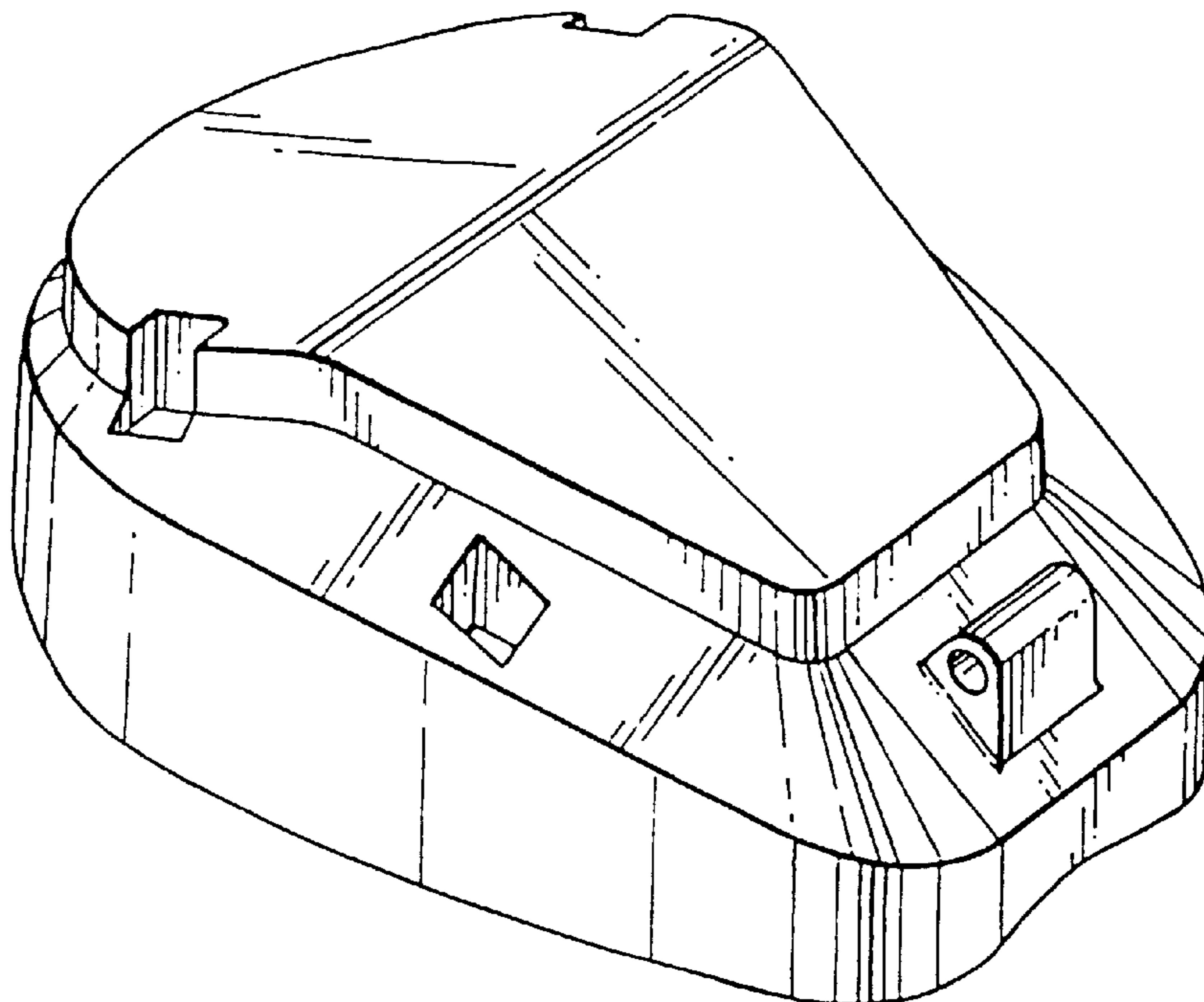


FIG. 1

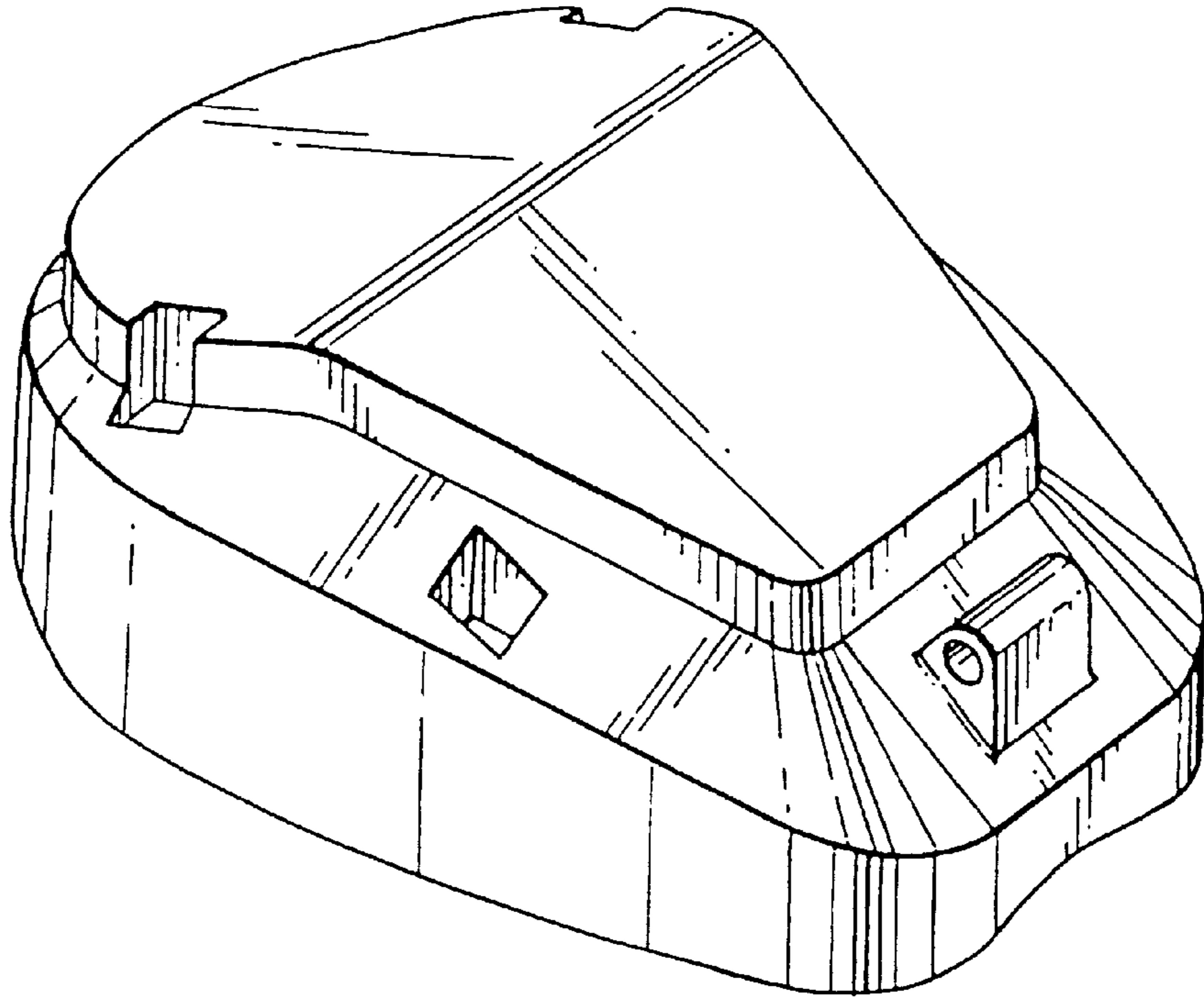


FIG. 2

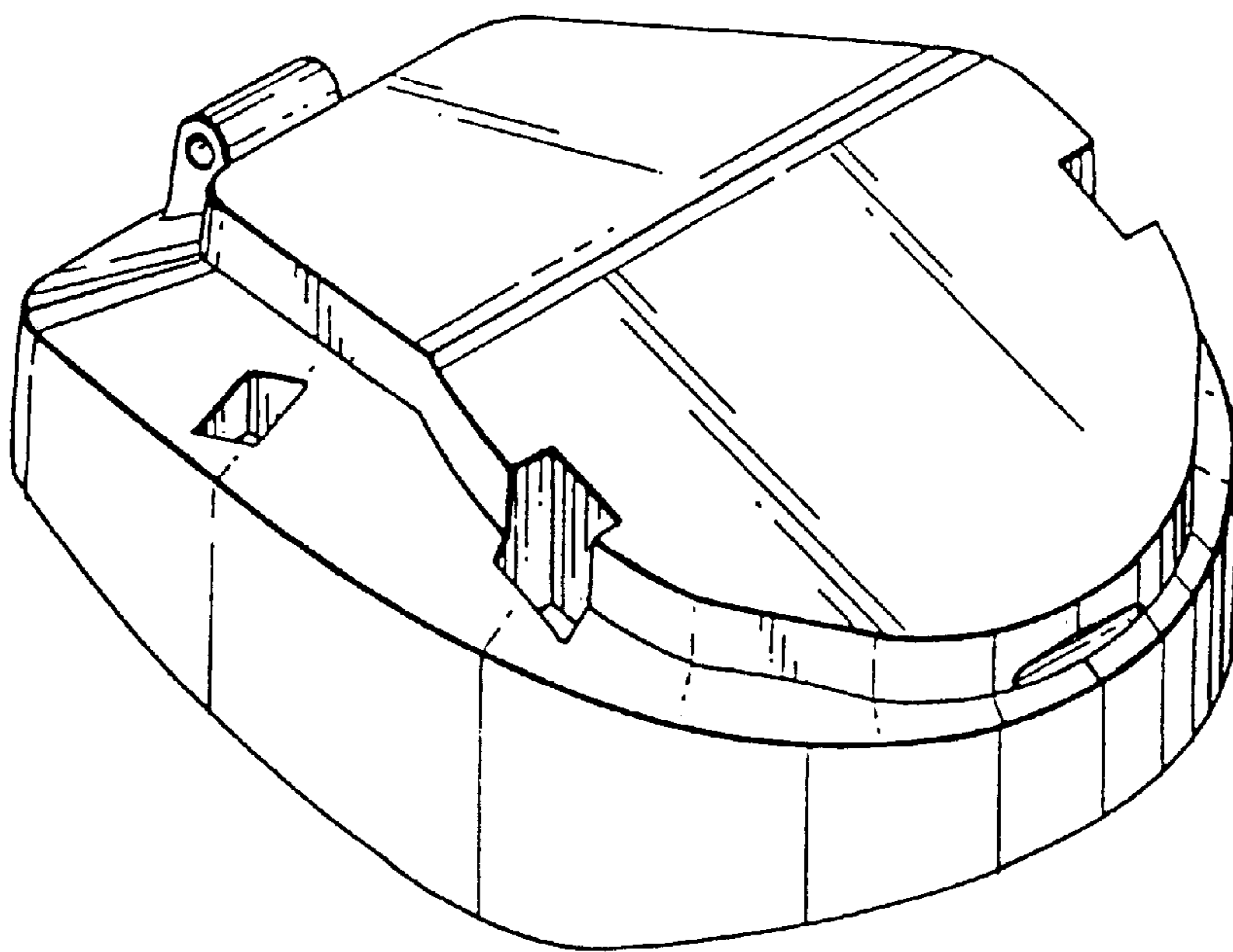


FIG. 3

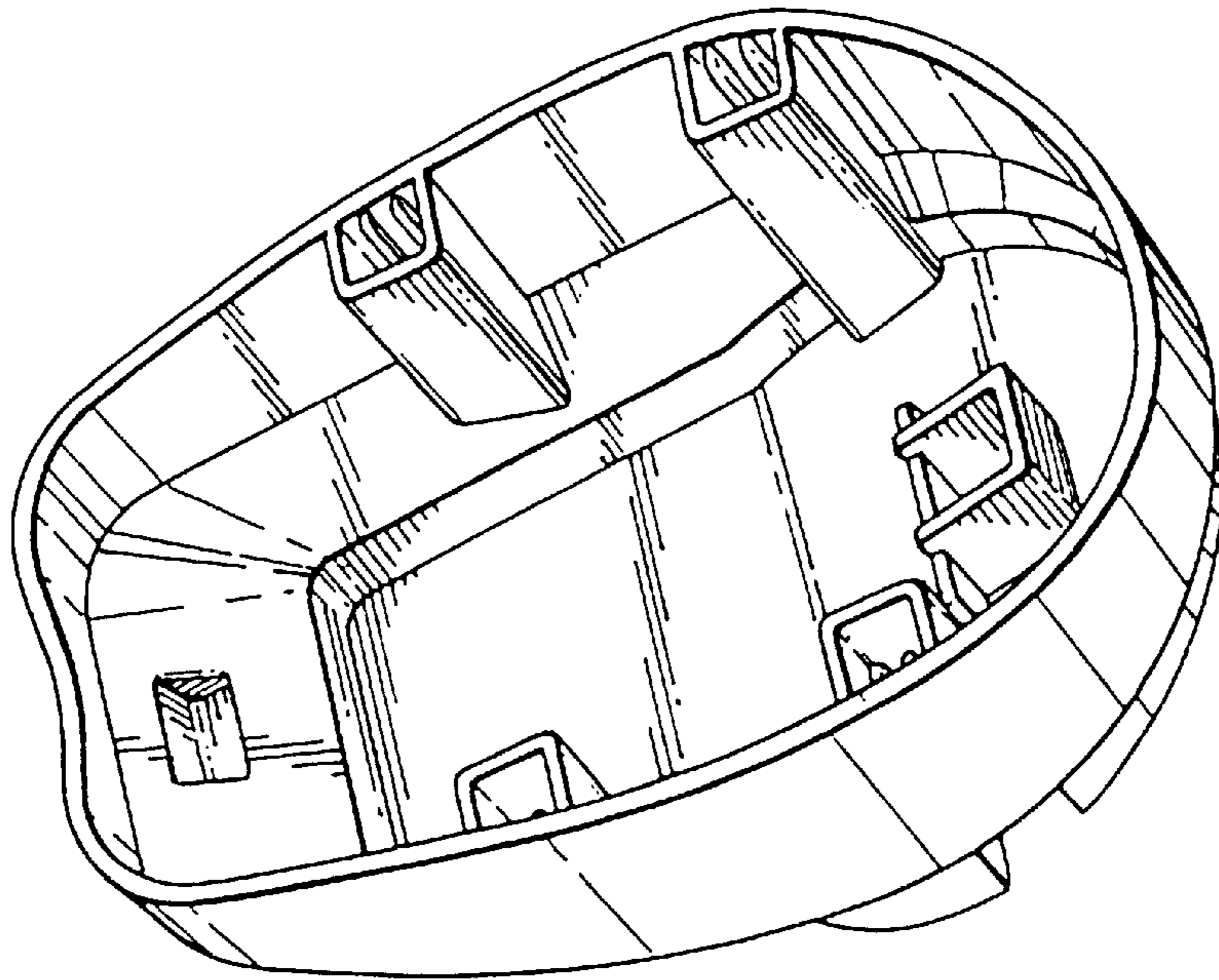


FIG. 4

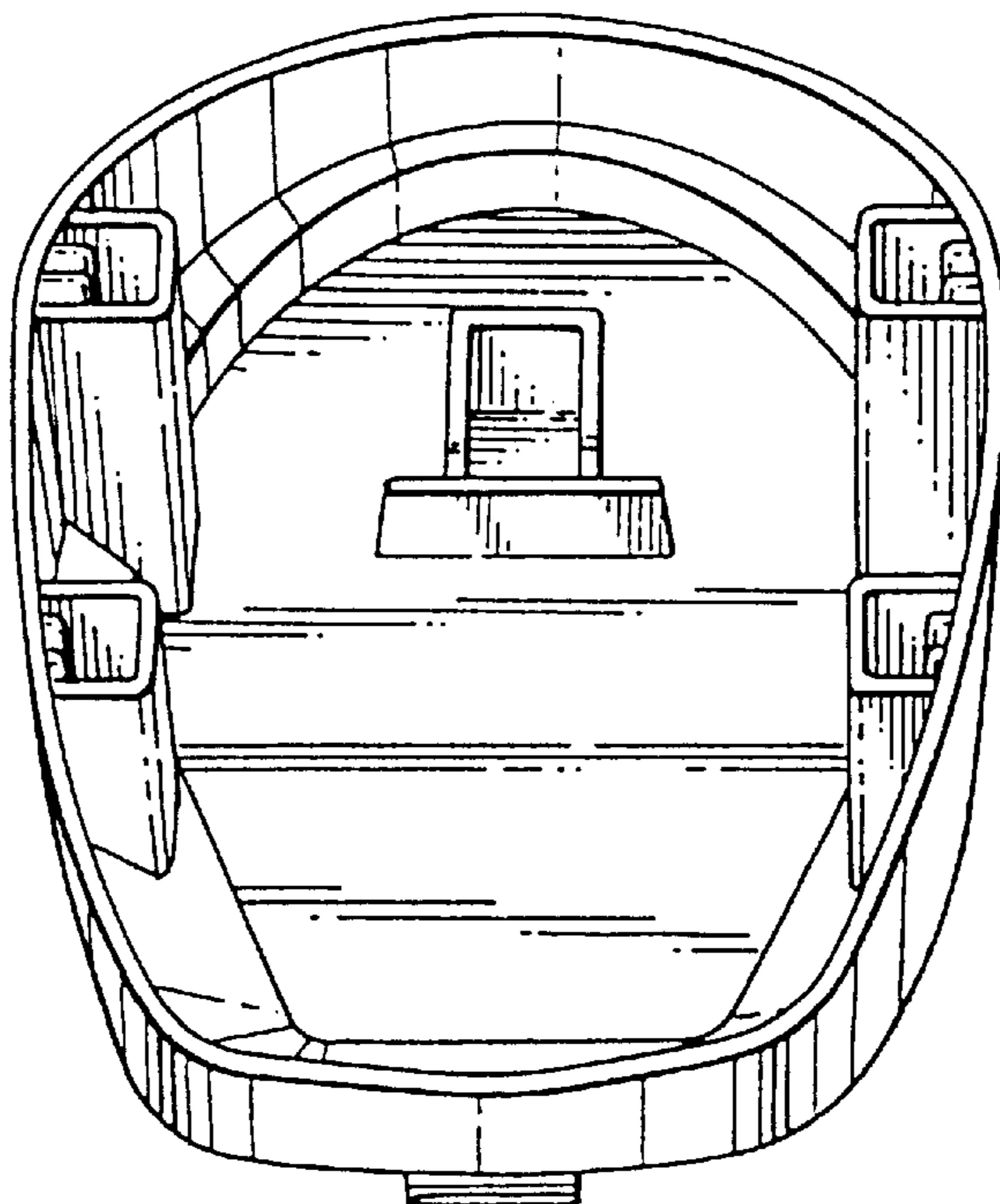


FIG. 5

