



US00D409721S

United States Patent [19]

Burchard et al.

[11] **Patent Number: Des. 409,721**

[45] **Date of Patent: ** May 11, 1999**

[54] **KITCHEN DECK SIDE SPRAY**

[75] Inventors: **Thomas H. Burchard**, Winchester, Mass.; **Daniel C. Buchner**, Lorain; **Eduardo Milrud**, Chagrin Falls, both of Ohio; **Roy Thompson**, Mattapan; **Stephanie Schwarz**, Boston, both of Mass.

[73] Assignee: **Moen Incorporated**, North Olmsted, Ohio

[**] Term: **14 Years**

[21] Appl. No.: **29/090,018**

[22] Filed: **Jun. 29, 1998**

[51] **LOC (6) Cl.** **23-01**

[52] **U.S. Cl.** **D23/226**

[58] **Field of Search** D23/213, 223, D23/226, 229, 230; 239/414, 415, 460-462; 4/615

[56] **References Cited**

U.S. PATENT DOCUMENTS

D. 242,352 11/1976 Uyeda D23/226

- D. 292,227 10/1987 Rudelick D23/226
- D. 320,643 10/1991 Stansbury D23/226
- D. 348,505 7/1994 Bosio D23/223
- D. 373,173 8/1996 Valley et al. D23/226
- D. 390,915 2/1998 Futo et al. D23/226
- D. 392,023 3/1998 Milrud et al. D23/226

Primary Examiner—Alan P. Douglas
Assistant Examiner—Robin V. Taylor
Attorney, Agent, or Firm—Dorn, McEachran, Jambor & Keating

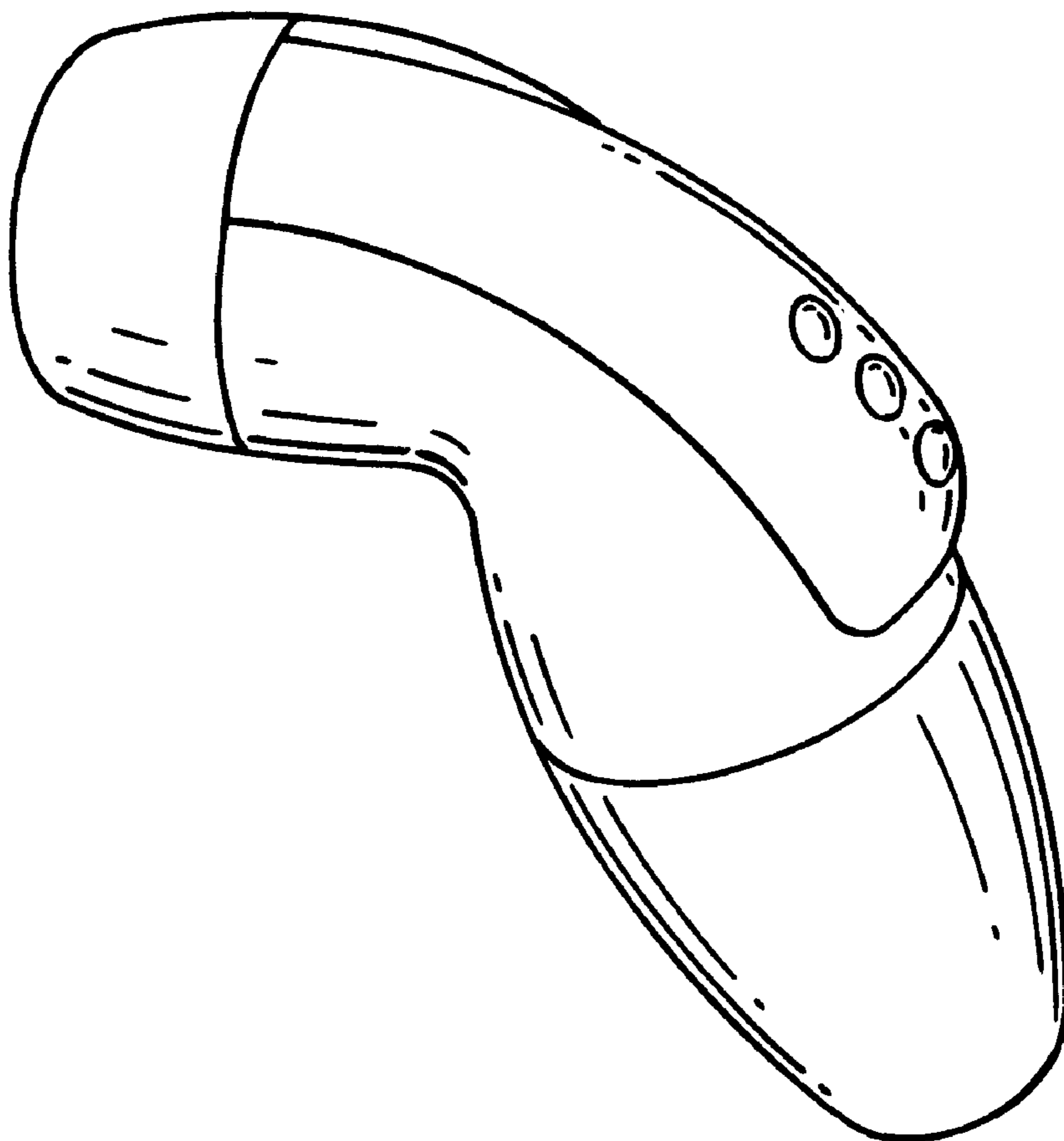
[57] **CLAIM**

The ornamental design for a kitchen deck side spray, as shown and described.

DESCRIPTION

FIG. 1 is a rear perspective view of a kitchen deck side spray showing our new design;
FIG. 2 is a front view thereof;
FIG. 3 is a left side view thereof, the right side being the same as the side shown;
FIG. 4 is a rear view thereof;
FIG. 5 is a top view thereof; and,
FIG. 6 is a bottom view thereof.

1 Claim, 1 Drawing Sheet



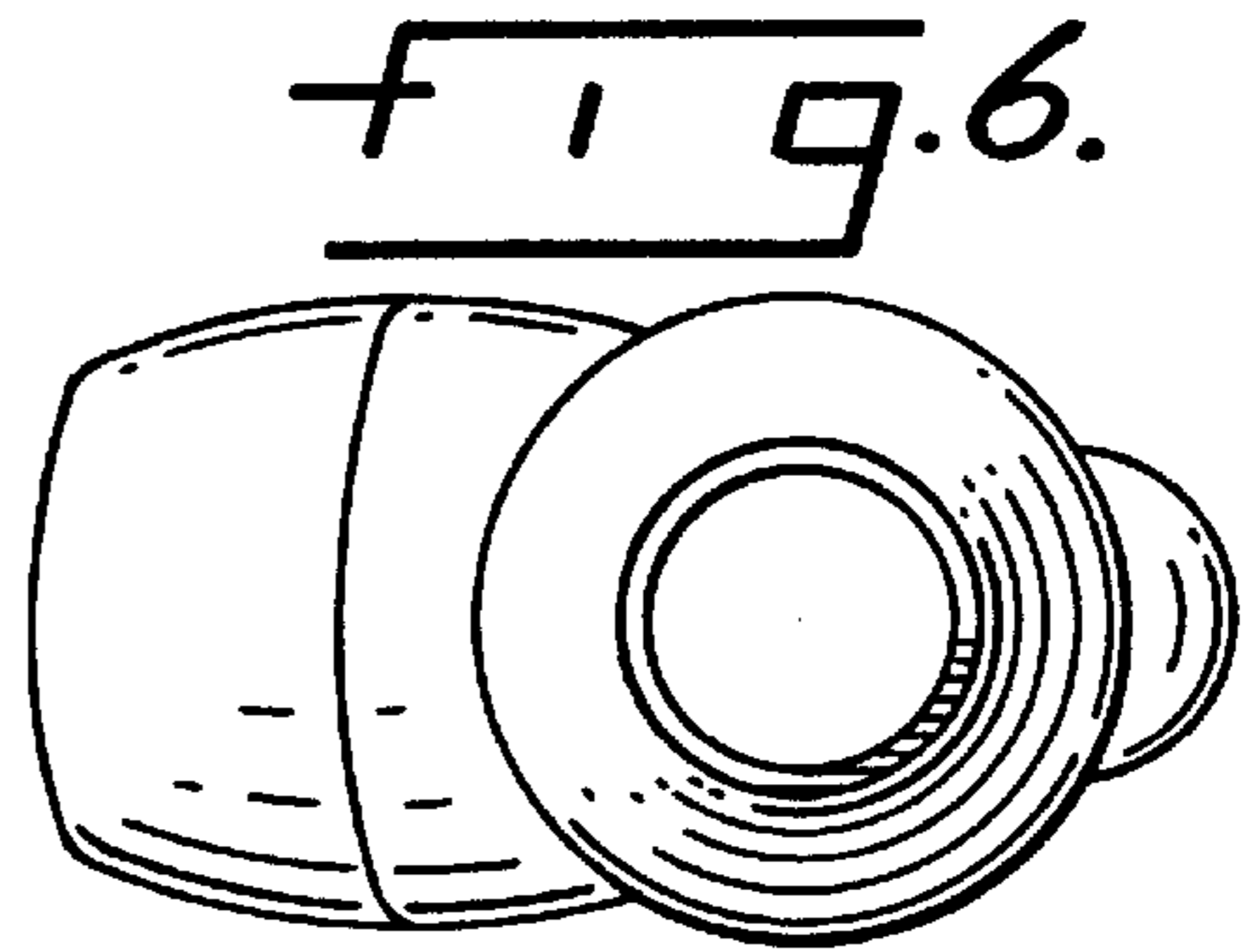
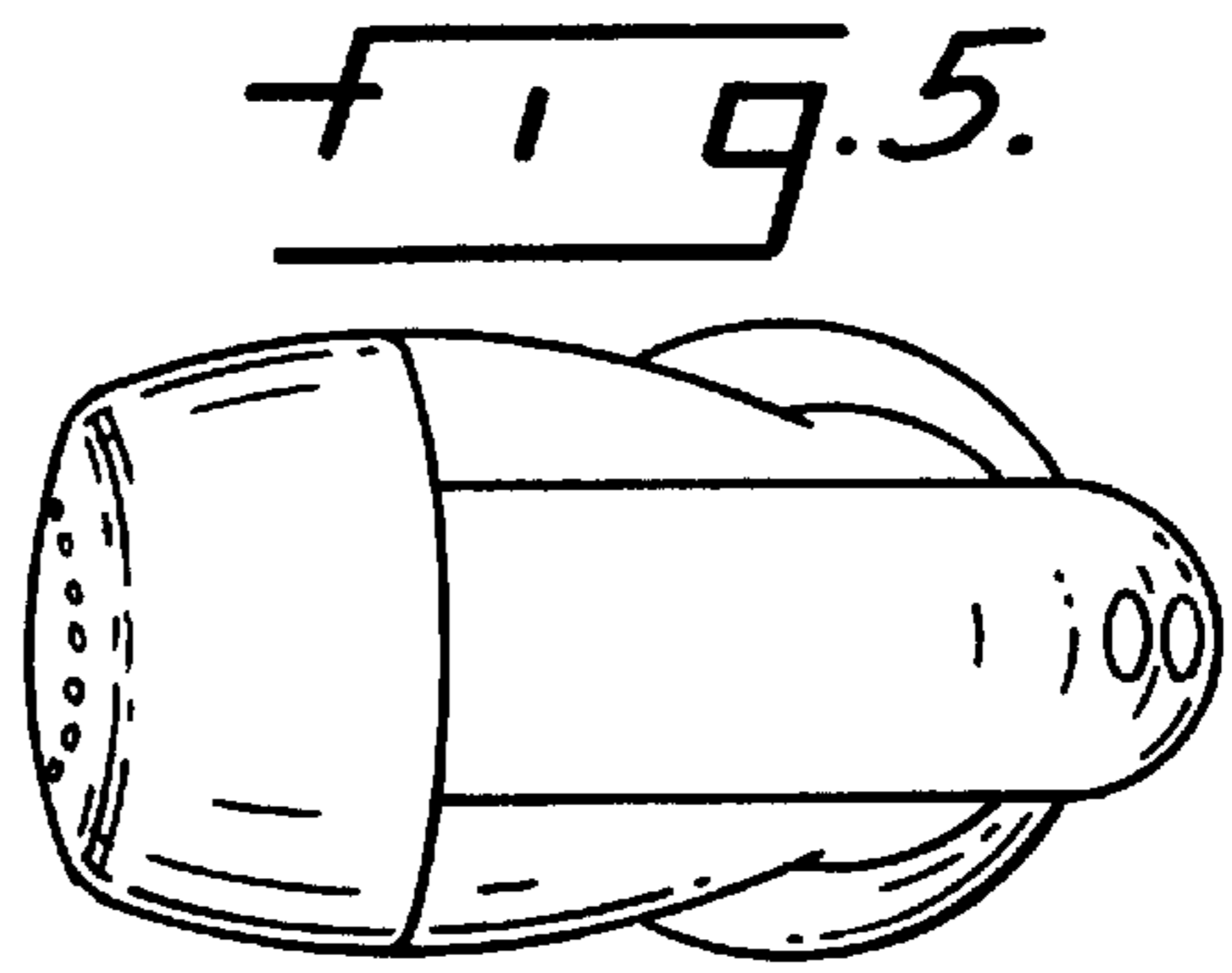
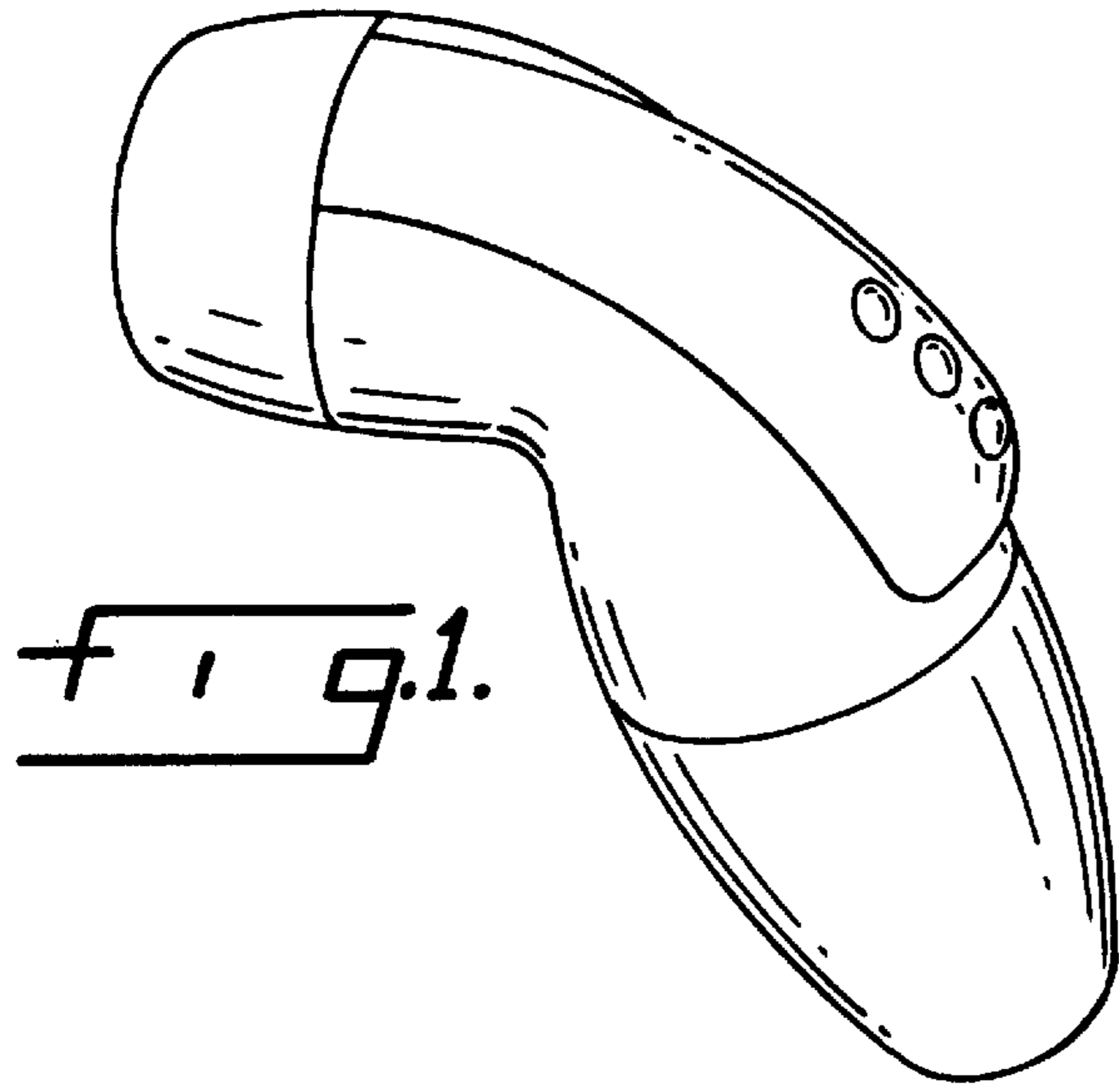


Fig. 2.

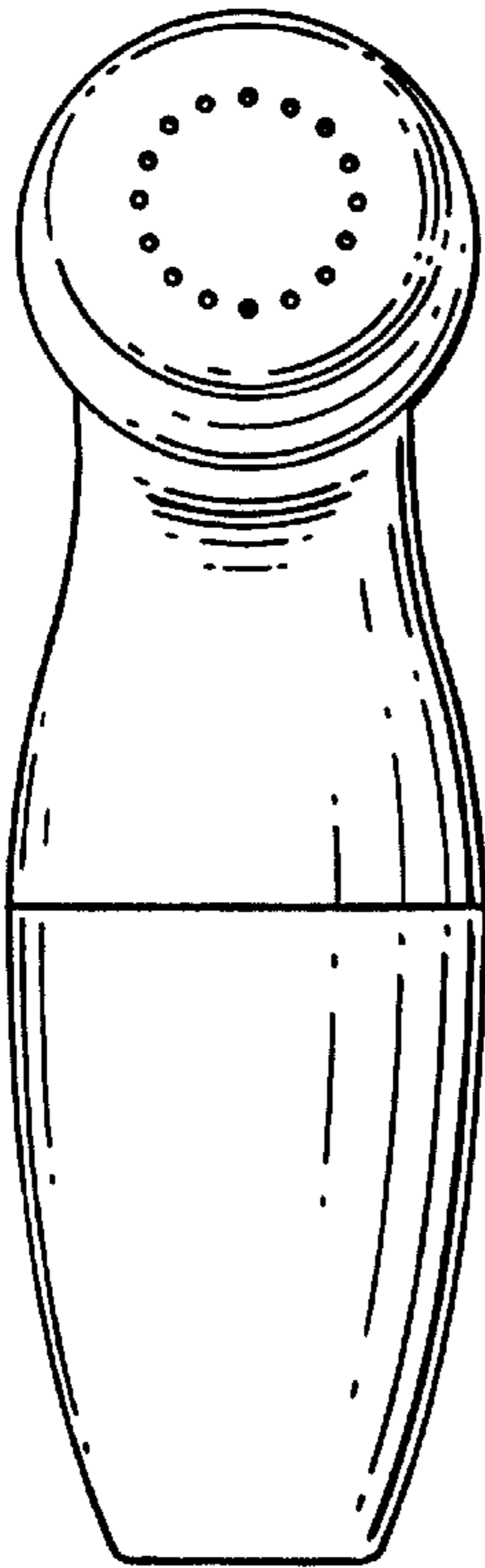


Fig. 3.

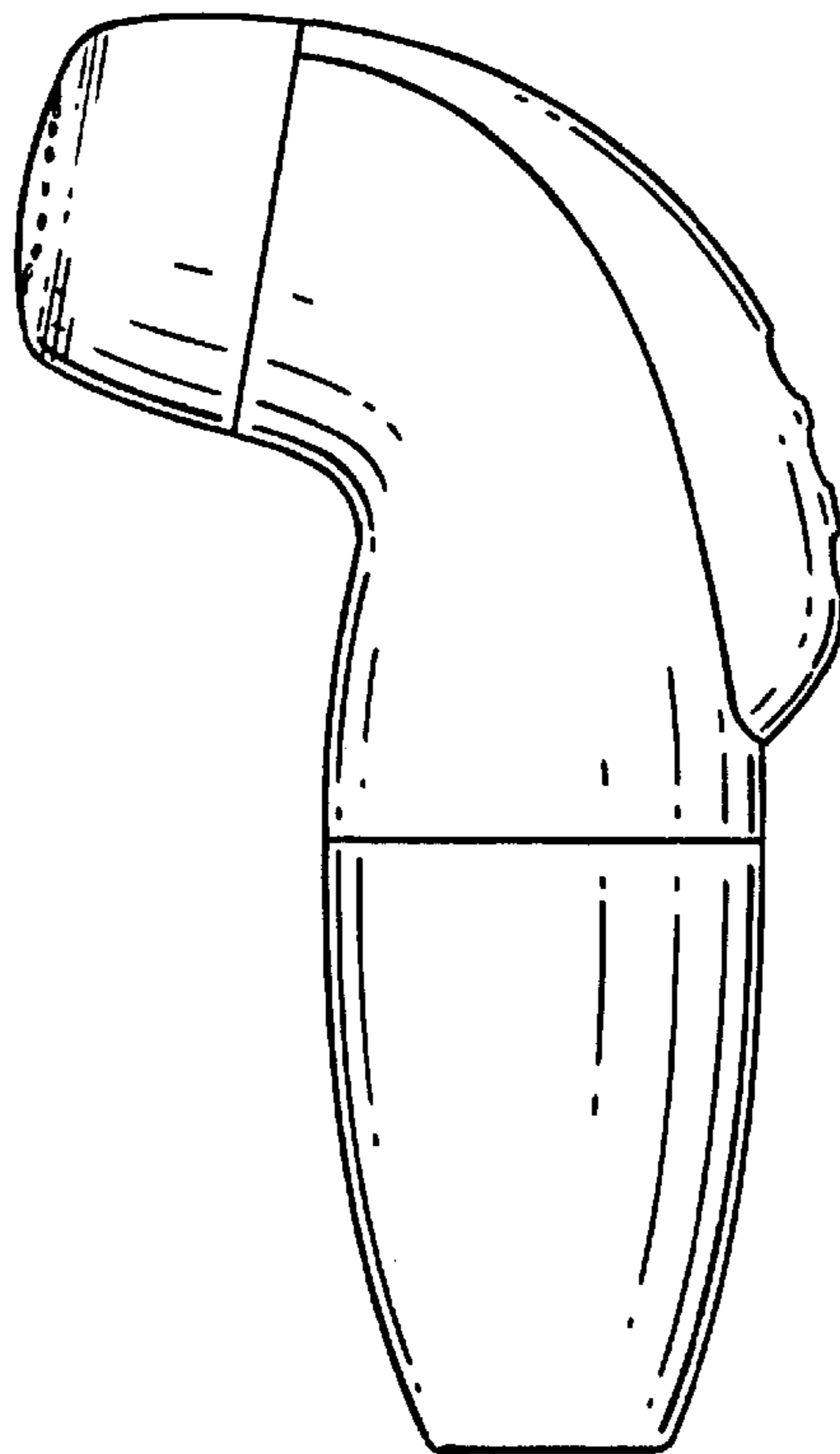


Fig. 4.

