

US00D409716S

# United States Patent [19]

Bakke

[11] Patent Number: **Des. 409,716**

[45] Date of Patent: **\*\* May 11, 1999**

[54] **SYPHON WAND KIT FOR USE WITH AQUARIUMS AND TANKS**

4,797,206	1/1989	Lynch .....	210/416.2
5,004,536	4/1991	Geisler .....	210/416.1
5,269,338	12/1993	Figas .....	210/169

[76] Inventor: **James F. Bakke**, R.R. 5, Box 5619  
Owl Hollow Rd., Saylorsburg, Pa.  
18353

*Primary Examiner*—Alan P. Douglas  
*Assistant Examiner*—Robin V. Taylor

[\*\*] Term: **14 Years**

[57] **CLAIM**

[21] Appl. No.: **29/083,275**

The ornamental design for a syphon wand kit for use with aquariums and tanks, as shown and described.

[22] Filed: **Feb. 9, 1998**

**DESCRIPTION**

[51] **LOC (6) Cl.** ..... **23-01**

FIG. 1 is a front elevational view of the syphon wand kit for use with aquariums and tanks showing my new design; FIG. 2 is a rear elevational view thereof; FIG. 3 is a right side view thereof; FIG. 4 is a left side view thereof; FIG. 5 is a top plan view thereof; and, FIG. 6 is a bottom plan view thereof.

[52] **U.S. Cl.** ..... **D23/210**

[58] **Field of Search** ..... D23/200, 207,  
D23/209, 210; 210/169, 416.1, 416.2

The claimed design is shown fragmented in FIGS. 1-4 to indicate indeterminate length.

[56] **References Cited**

**U.S. PATENT DOCUMENTS**

D. 204,586	4/1966	Willinger .....	D23/210
D. 317,970	7/1991	Yen .....	D23/210
2,820,548	1/1958	Marcus et al. ....	210/169

**1 Claim, 3 Drawing Sheets**

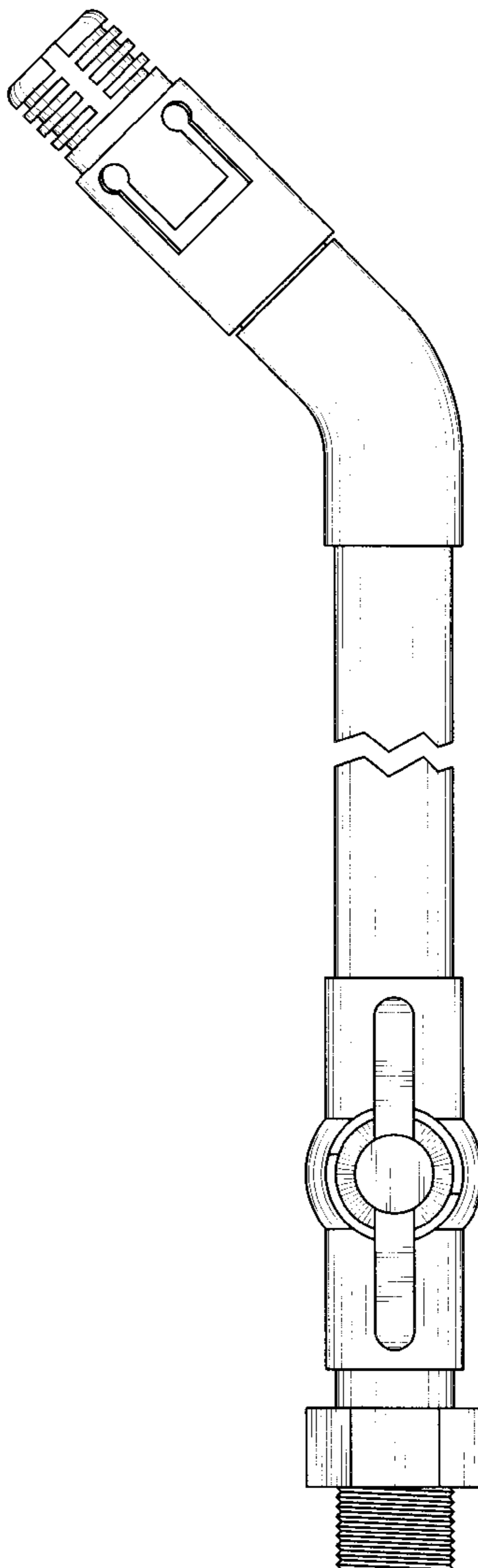


FIG. 1

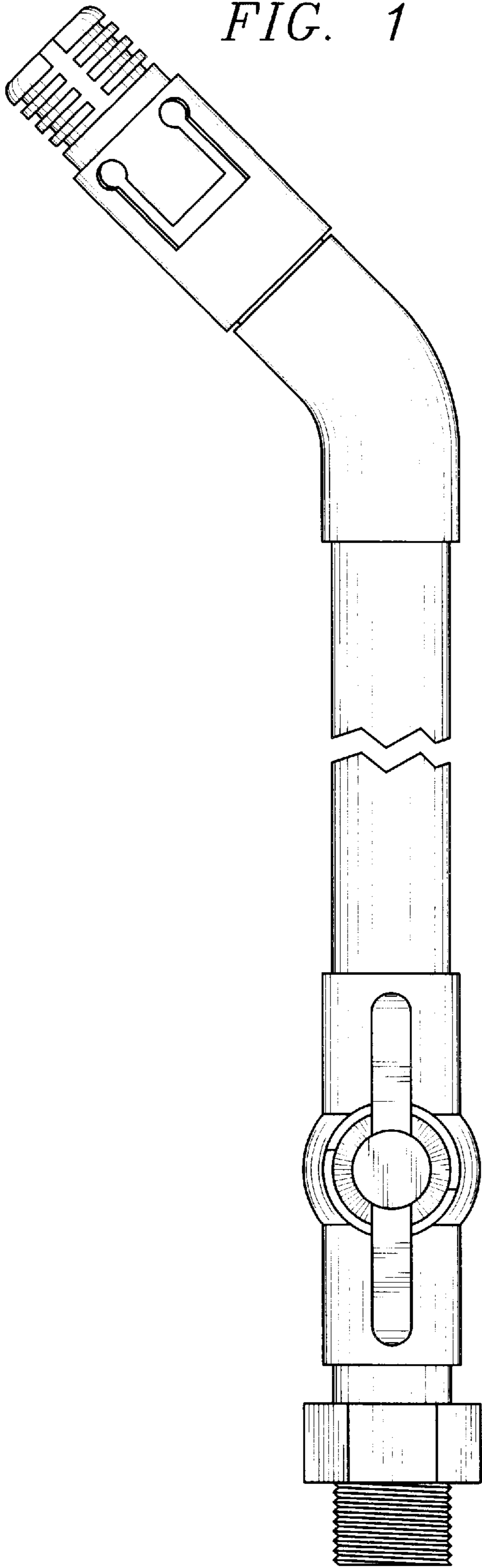


FIG. 2

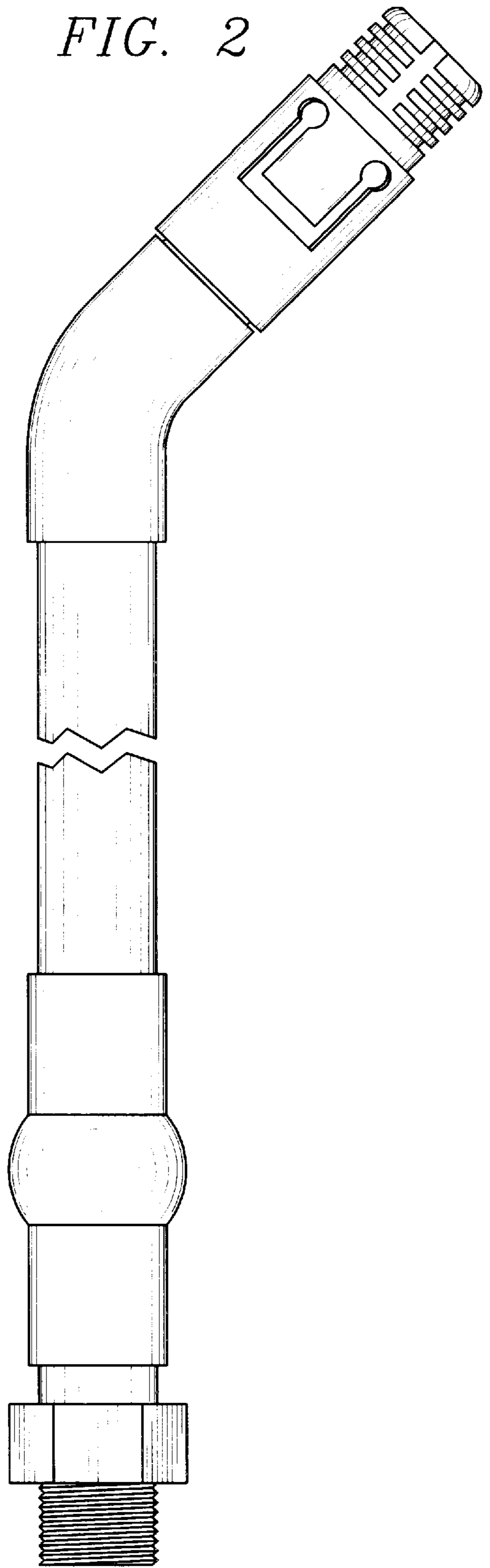


FIG. 3

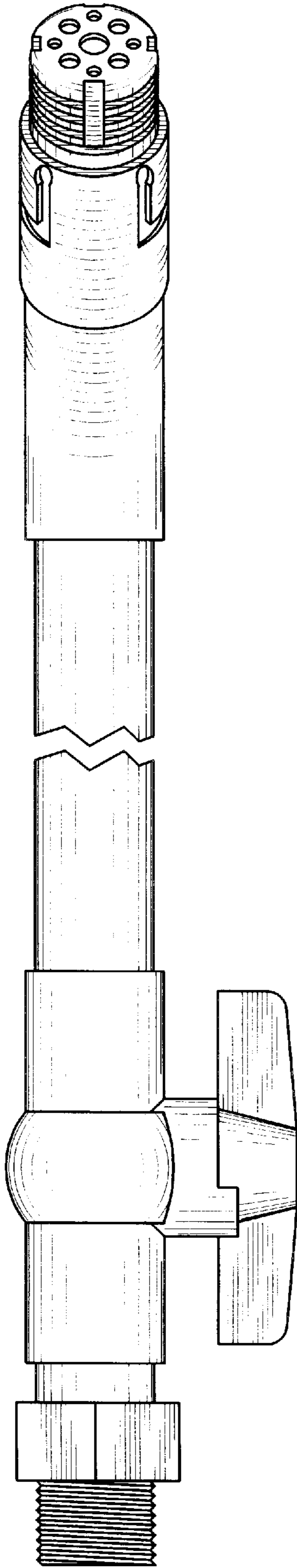
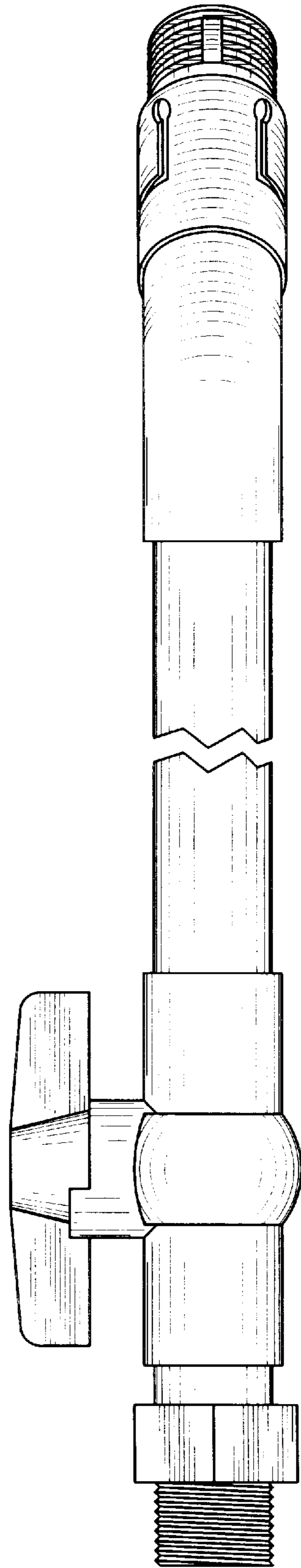
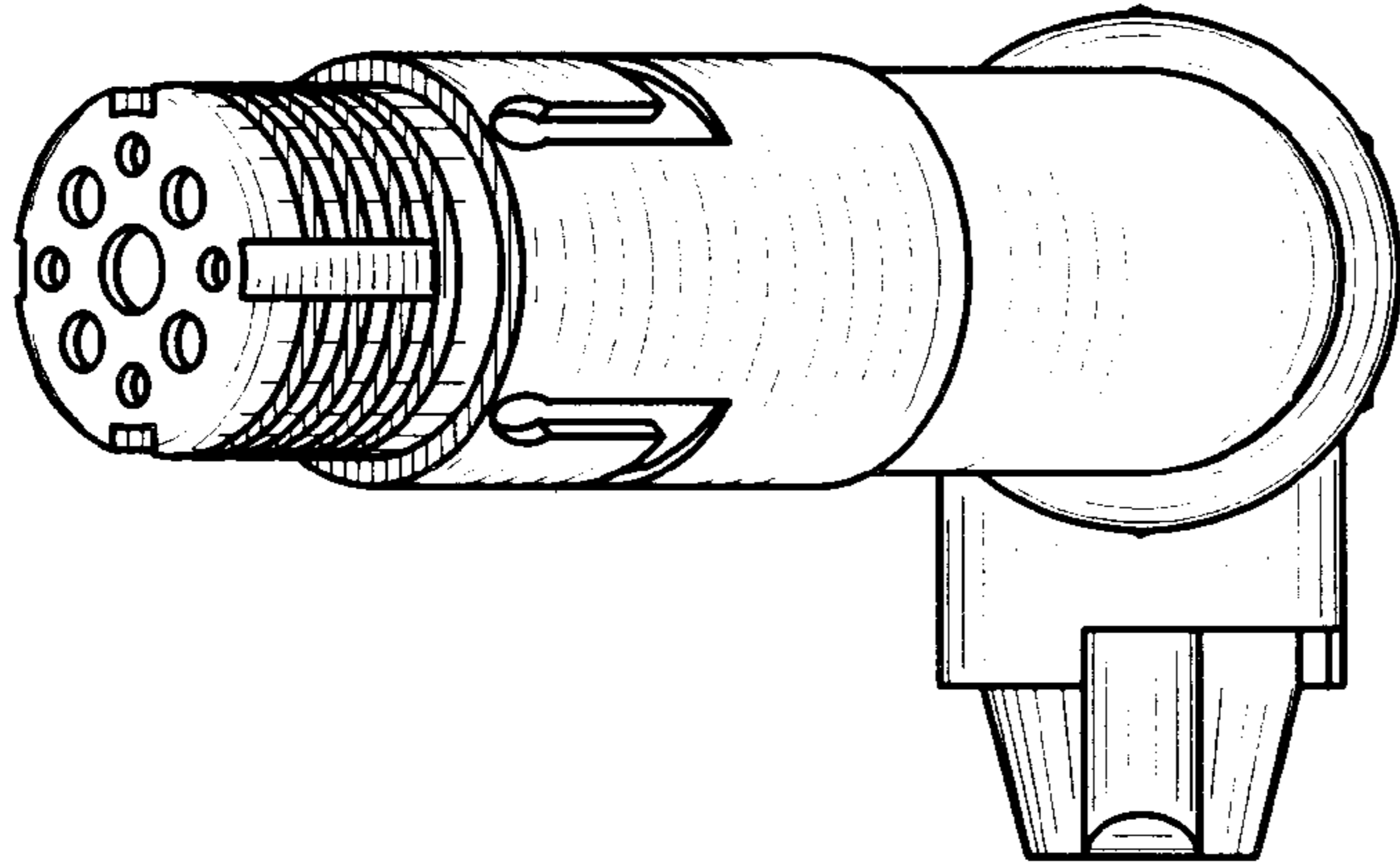


FIG. 4



*FIG. 5*



*FIG. 6*

