



US00D409711S

United States Patent [19]
Johnson

[11] **Patent Number: Des. 409,711**

[45] **Date of Patent: ** May 11, 1999**

[54] **RODENT BAIT UNIT**

[75] Inventor: **Daniel C. Johnson**, Madison, Wis.

[73] Assignee: **Bell Laboratories, Inc.**, Madison, Wis.

[**] Term: **14 Years**

[21] Appl. No.: **29/093,804**

[22] Filed: **Sep. 18, 1998**

[51] **LOC (6) Cl.** **22-06**

[52] **U.S. Cl.** **D22/119**

[58] **Field of Search** D22/119, 120,
D22/122, 199; 43/1, 58, 60, 131, 124; D25/136,
122; 424/410; 426/1

[56] **References Cited**

U.S. PATENT DOCUMENTS

1,352,067	7/1920	Keyser	43/131
3,767,785	10/1973	Bordenca	.	
4,891,218	1/1990	Sherman	424/410
5,044,113	9/1991	Stack et al.	.	
5,449,514	9/1995	Marshall et al.	424/410

FOREIGN PATENT DOCUMENTS

2032164 11/1970 France .

Primary Examiner—Louis S. Zarfes
Assistant Examiner—Inga-Maria Hyttinen
Attorney, Agent, or Firm—Lathrop & Clark LLP

[57] **CLAIM**

The ornamental design for a rodent bait unit, as shown and described.

DESCRIPTION

FIG. 1 is an isometric view of the rodent bait unit of my invention;

FIG. 2 is a front elevational view thereof, the rear elevational view being a mirror image thereof;

FIG. 3 is a right side elevational view thereof, the left side elevational view being a mirror image thereof;

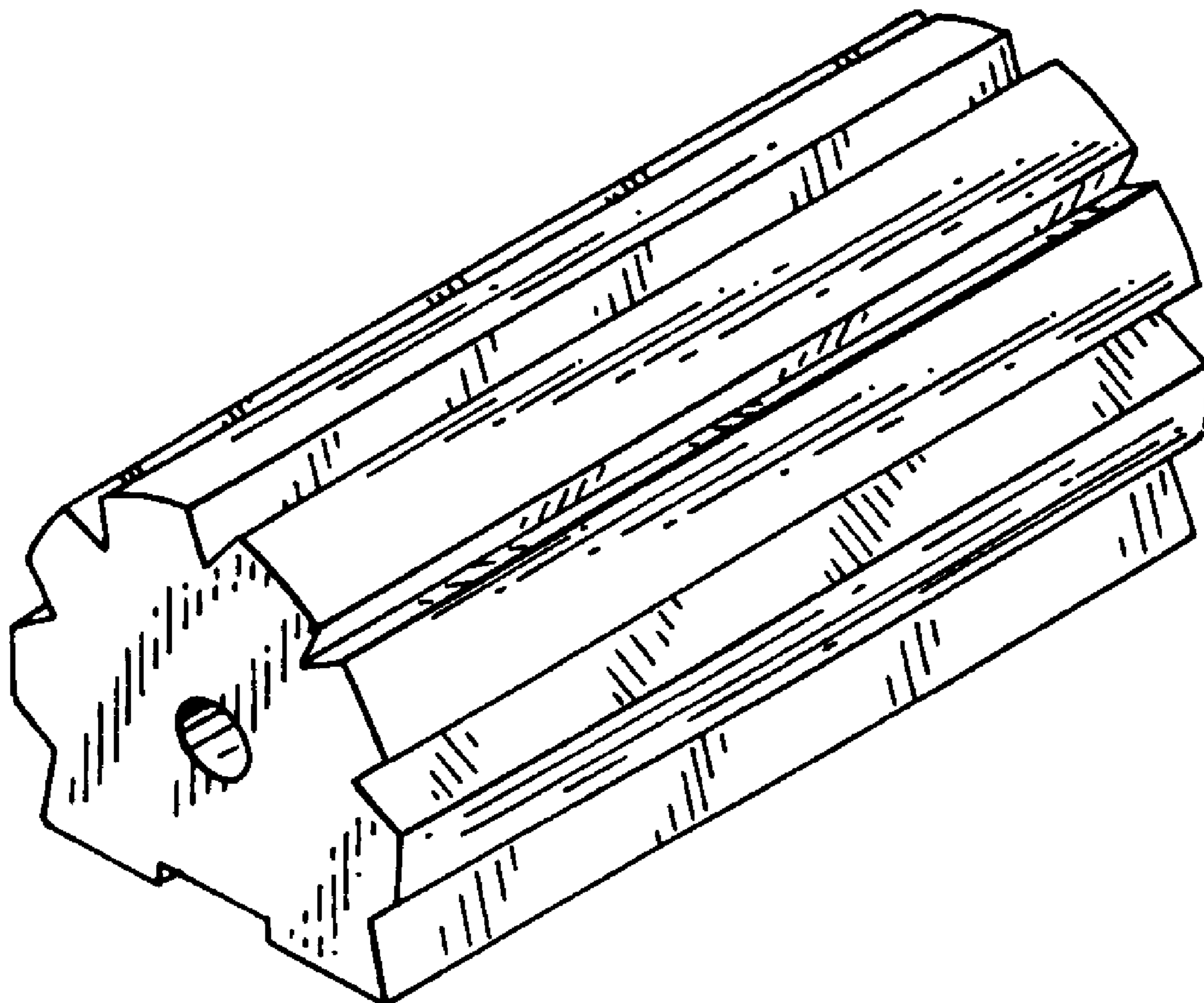
FIG. 4 is a top plan view thereof; and

FIG. 5 is a bottom plan view thereof.

FIG. 6 is an isometric view of an alternative embodiment of the rodent bait unit of my invention, the right side elevational view being identical to the view shown in FIG. 3, and the left side elevational view being a mirror image of the view in FIG. 3, the top plan view being identical to the view of FIG. 4, and the bottom plan view being identical to the view of FIG. 5; and,

FIG. 7 is a front elevational view thereof, the rear elevational view being a mirror image thereof.

1 Claim, 1 Drawing Sheet



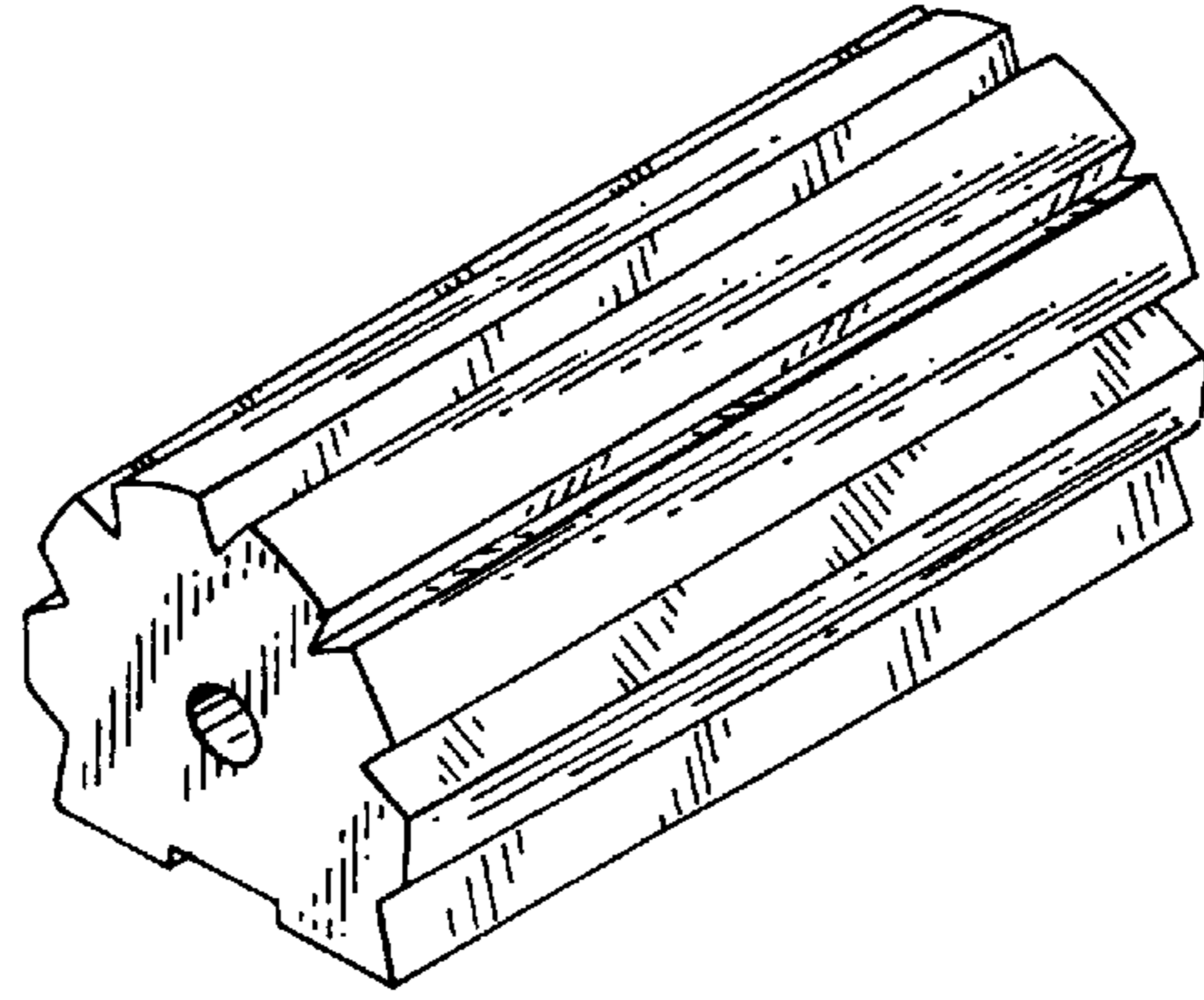


FIG. 1

FIG. 2

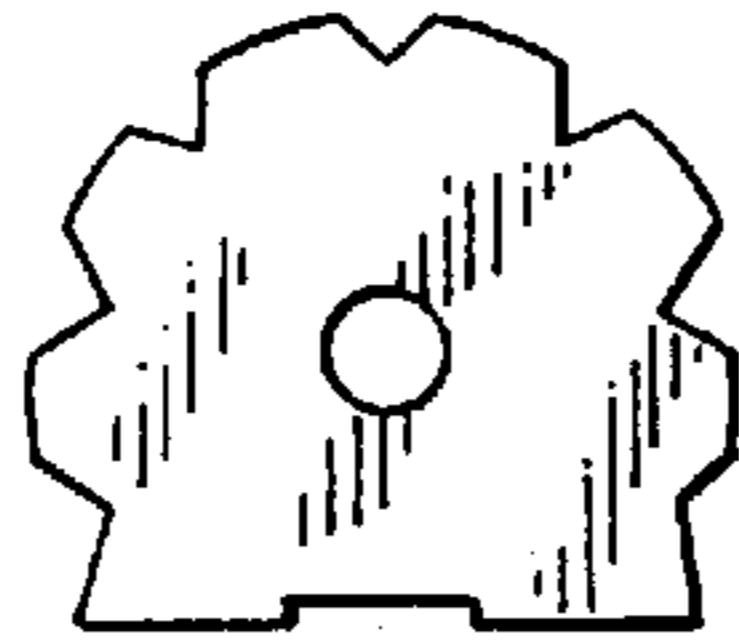


FIG. 3

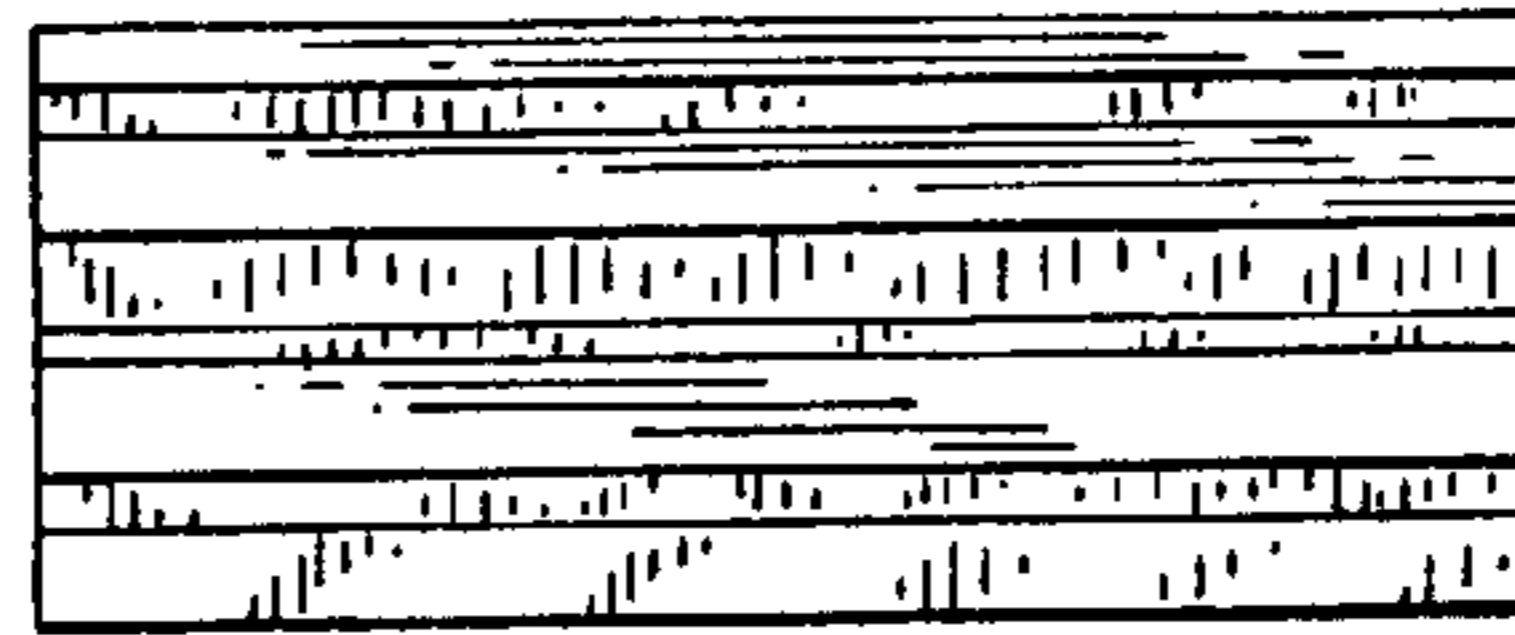


FIG. 4



FIG. 5

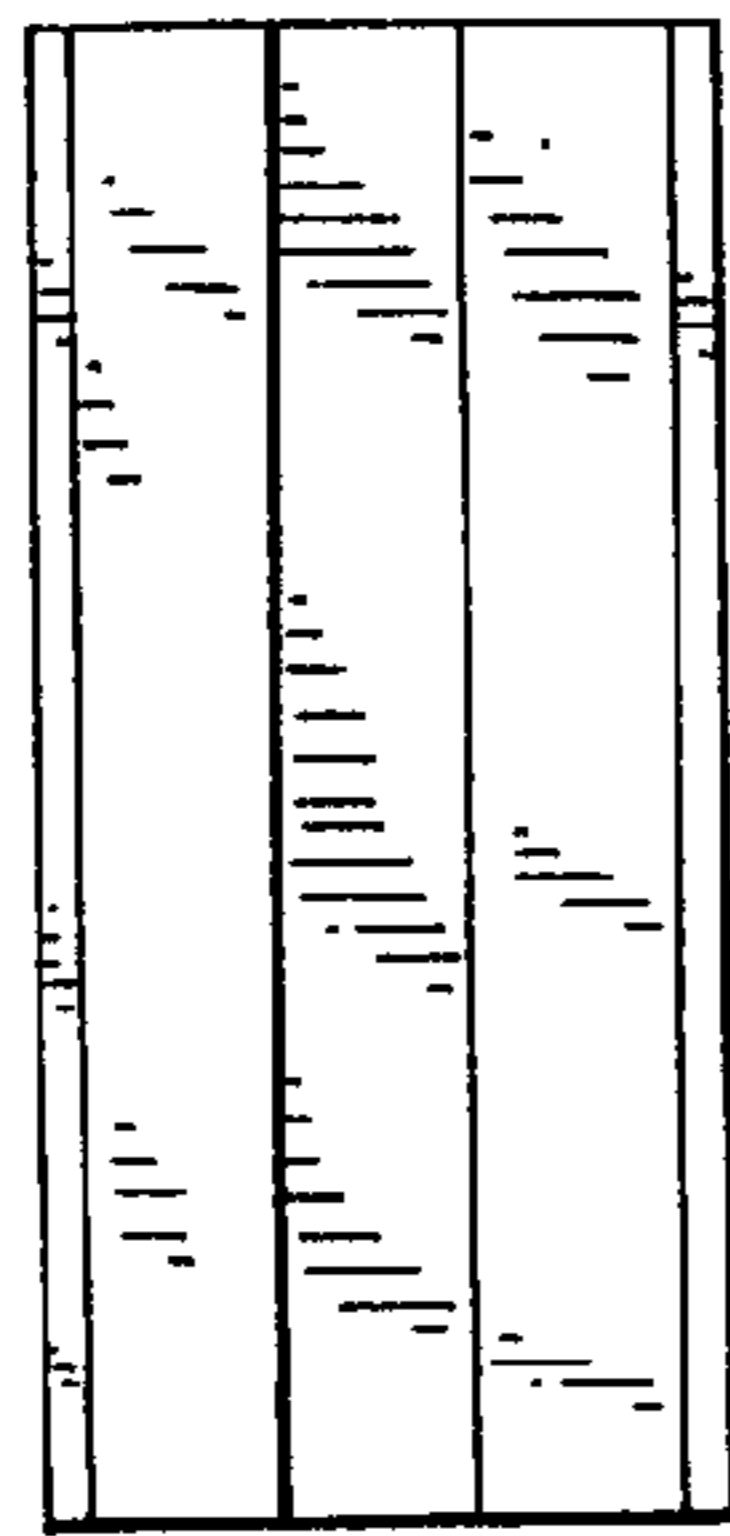


FIG. 7

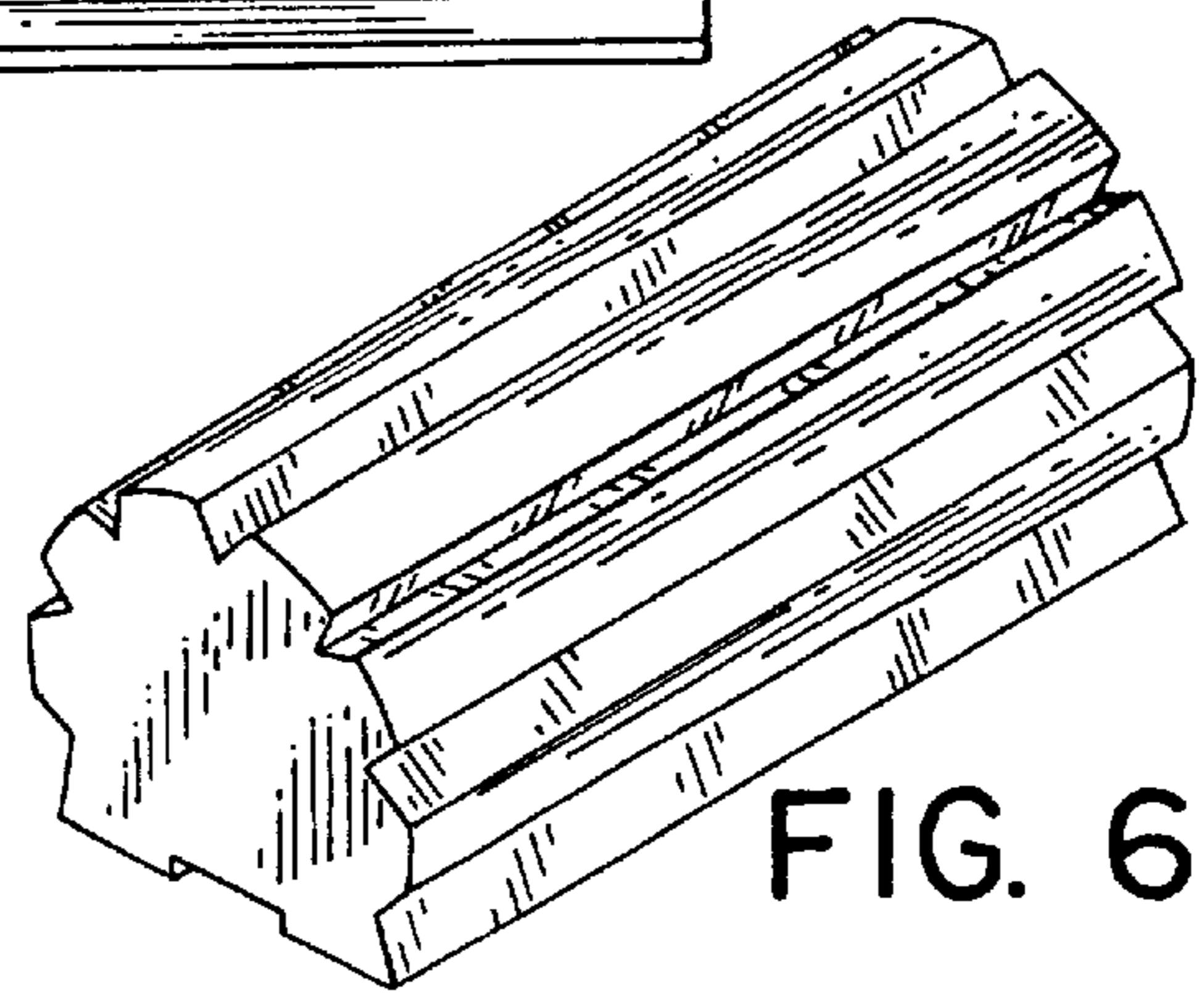


FIG. 6