



US00D409705S

United States Patent [19]

Fazekas

[11] Patent Number: Des. 409,705

[45] Date of Patent: ** May 11, 1999

[54] MULTIPURPOSE GOLF TOOL

[76] Inventor: Craig A. Fazekas, 39 Varda Landing Rd., Sausalito, Calif. 94965

[**] Term: 14 Years

[21] Appl. No.: 29/067,392

[22] Filed: Mar. 6, 1997

[51] LOC (6) Cl. 21-02

[52] U.S. Cl. D21/793

[58] Field of Search D21/234, 208; D8/13; 473/406, 408, 285, 286

[56] **References Cited**

U.S. PATENT DOCUMENTS

D. 218,836	9/1970	Watanabe .
D. 237,516	11/1975	Yaudes .
D. 247,686	4/1978	Desjardins .
D. 254,211	2/1980	Gutnecht .
D. 285,233	8/1986	Owen .
D. 290,985	7/1987	Dikoff .
D. 328,117	7/1992	Haugom .
D. 331,090	11/1992	Cellura .
D. 340,755	10/1993	Shearer .
D. 356,358	3/1995	Woodruff .
D. 357,964	5/1995	Williams .
D. 360,450	7/1995	Louden et al. .
D. 361,815	8/1995	Fazekas .
D. 373,401	9/1996	Schempp .
D. 384,719	10/1997	Fazekas D21/234
3,049,182	8/1962	Pelow .
3,120,388	2/1964	Doble .
3,203,700	8/1965	Antonious .
3,233,802	2/1966	Ludwick .
3,622,157	11/1971	Hatch .
3,744,542	7/1973	Stephens et al. .
3,763,515	10/1973	Voss .
3,774,913	11/1973	Dien .
4,063,731	12/1977	Kitay .
4,315,624	2/1982	Buckman .
4,453,294	6/1984	Morita .
4,530,500	7/1985	Kaymen .
4,535,987	8/1985	Dikoff .

4,822,052	4/1989	Dimmick et al. .
4,908,899	3/1990	Killen .
4,974,842	12/1990	Widman .
5,022,650	6/1991	Madock .
5,121,519	6/1992	Haugom .
5,282,616	2/1994	Stacavich-Notaro .
5,295,683	3/1994	Tate .

OTHER PUBLICATIONS

FIGS. 1-7 showing multipurpose golf tool on sale before Mar. 6, 1996.

Primary Examiner—Sandra L. Morris
Assistant Examiner—Mitchell I. Siegel
Attorney, Agent, or Firm—Oppenheimer Wolff & Donnelly LLP

[57] CLAIM

The ornamental design for a multipurpose golf tool, as shown and described.

DESCRIPTION

FIG. 1 is an enlarged perspective view of a multipurpose golf tool showing my new design;

FIG. 2 is a front elevational view;

FIG. 3 is a top plan view of FIG. 2;

FIG. 4 is a rear elevational view of FIG. 2;

FIG. 5 is a bottom plan view of FIG. 2;

FIG. 6 is a left side elevational view of FIG. 2; the right side elevational view being a mirror image thereof;

FIG. 7 is an enlarged perspective view showing the ball marker in a removed position;

FIG. 8 is a front elevational view of the multipurpose golf tool of FIG. 7;

FIG. 9 is a cross-sectional view taken on line 9—9 of FIG. 8;

FIG. 10 is a cross-sectional view taken on line 10—10 of FIG. 8; and,

FIG. 11 is an enlarged perspective view of a second embodiment thereof which is identical to the embodiment of FIG. 1 except it has a rounded top.

1 Claim, 4 Drawing Sheets

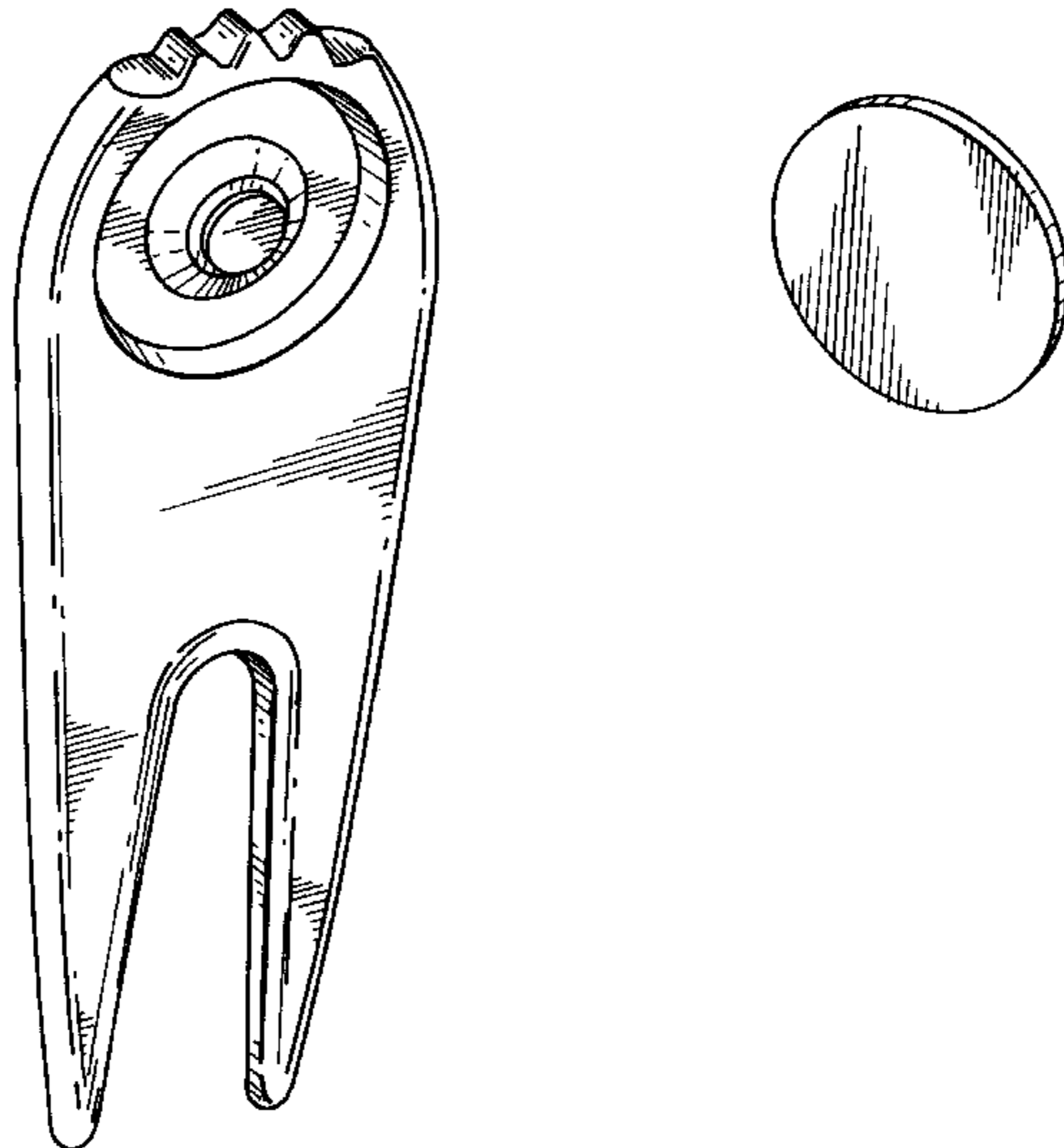


FIG. 1

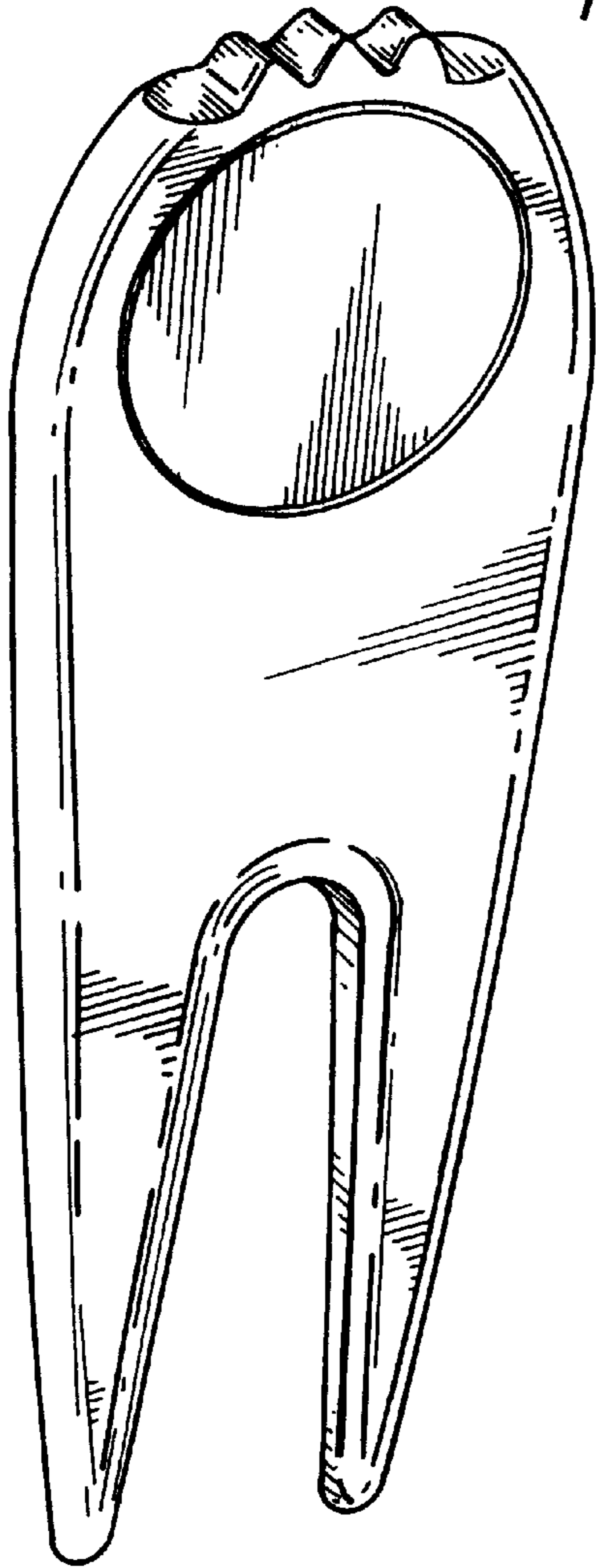


FIG. 2

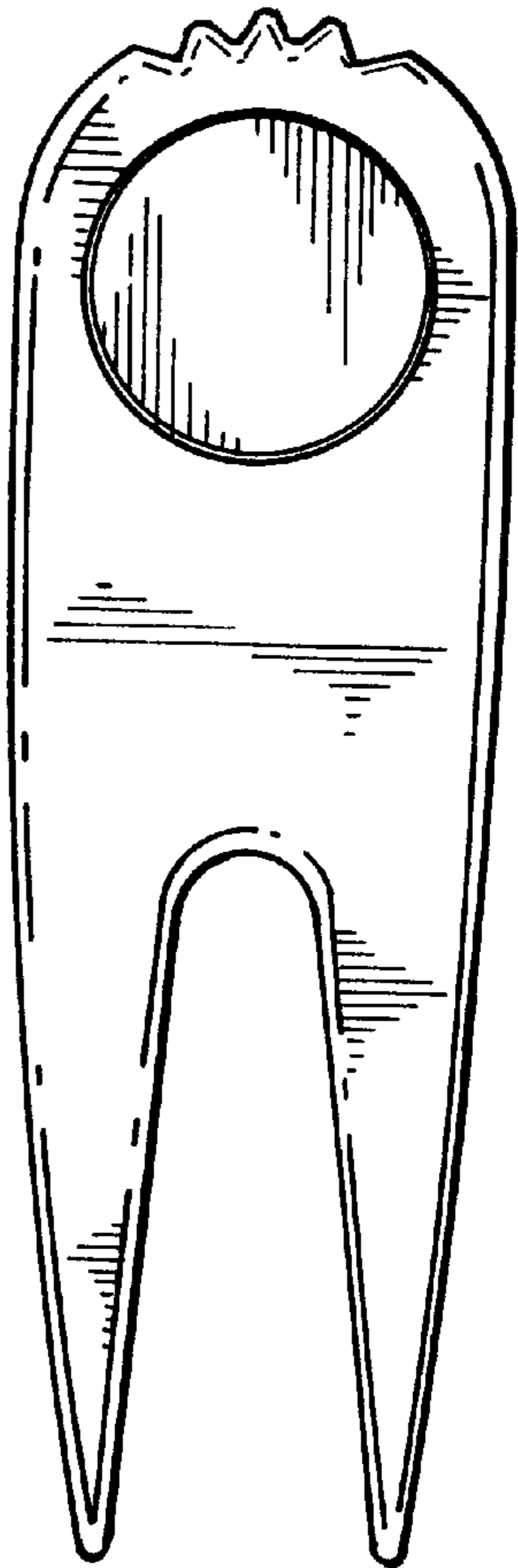


FIG. 3

FIG. 4

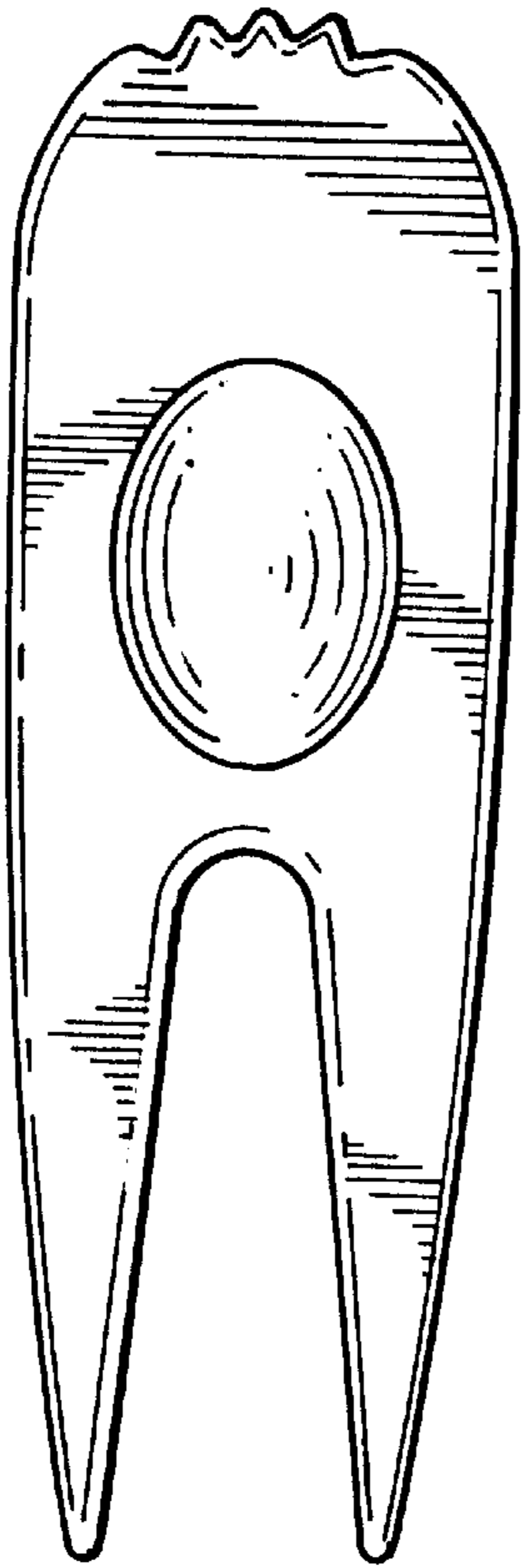


FIG. 5



FIG. 6



FIG. 7

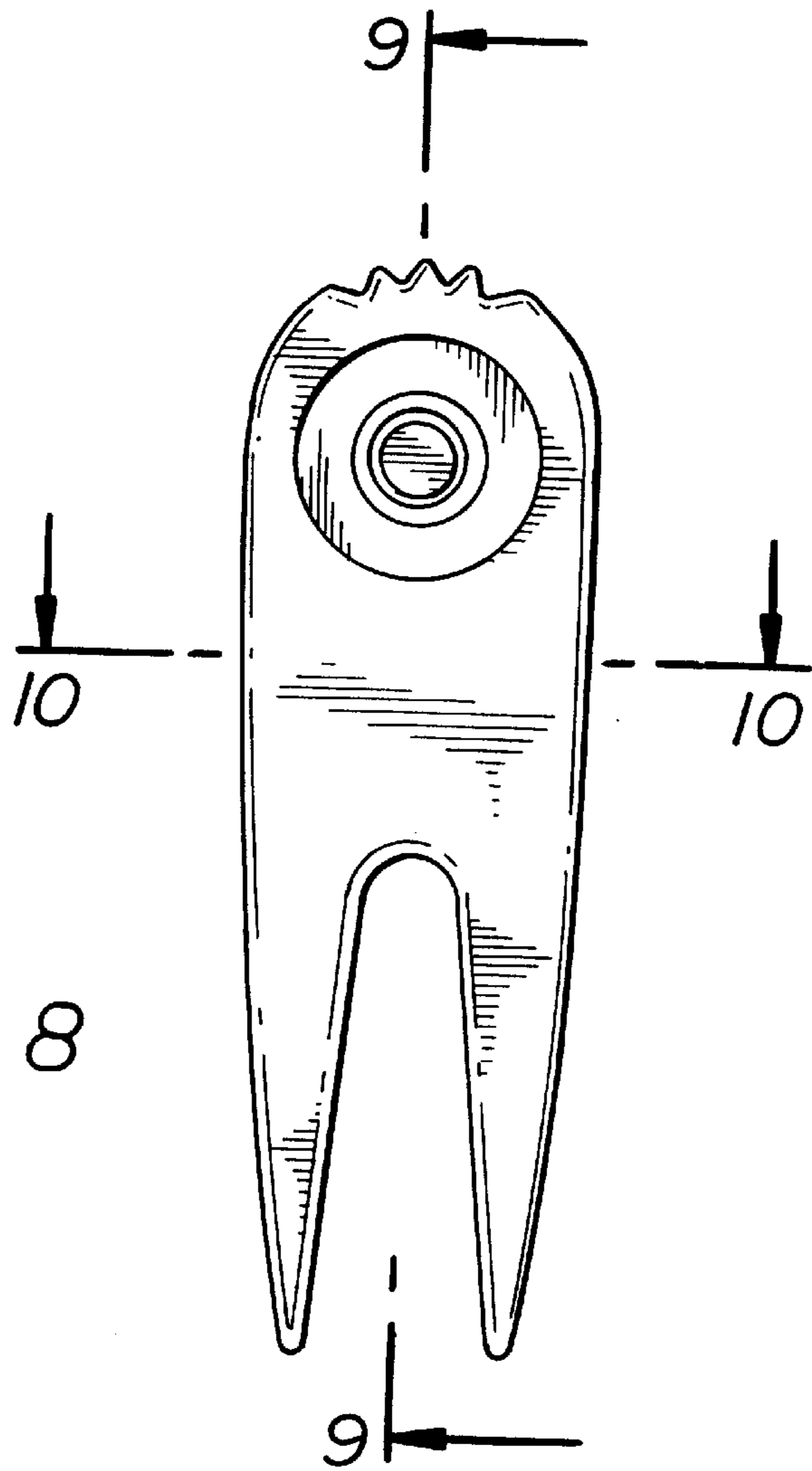
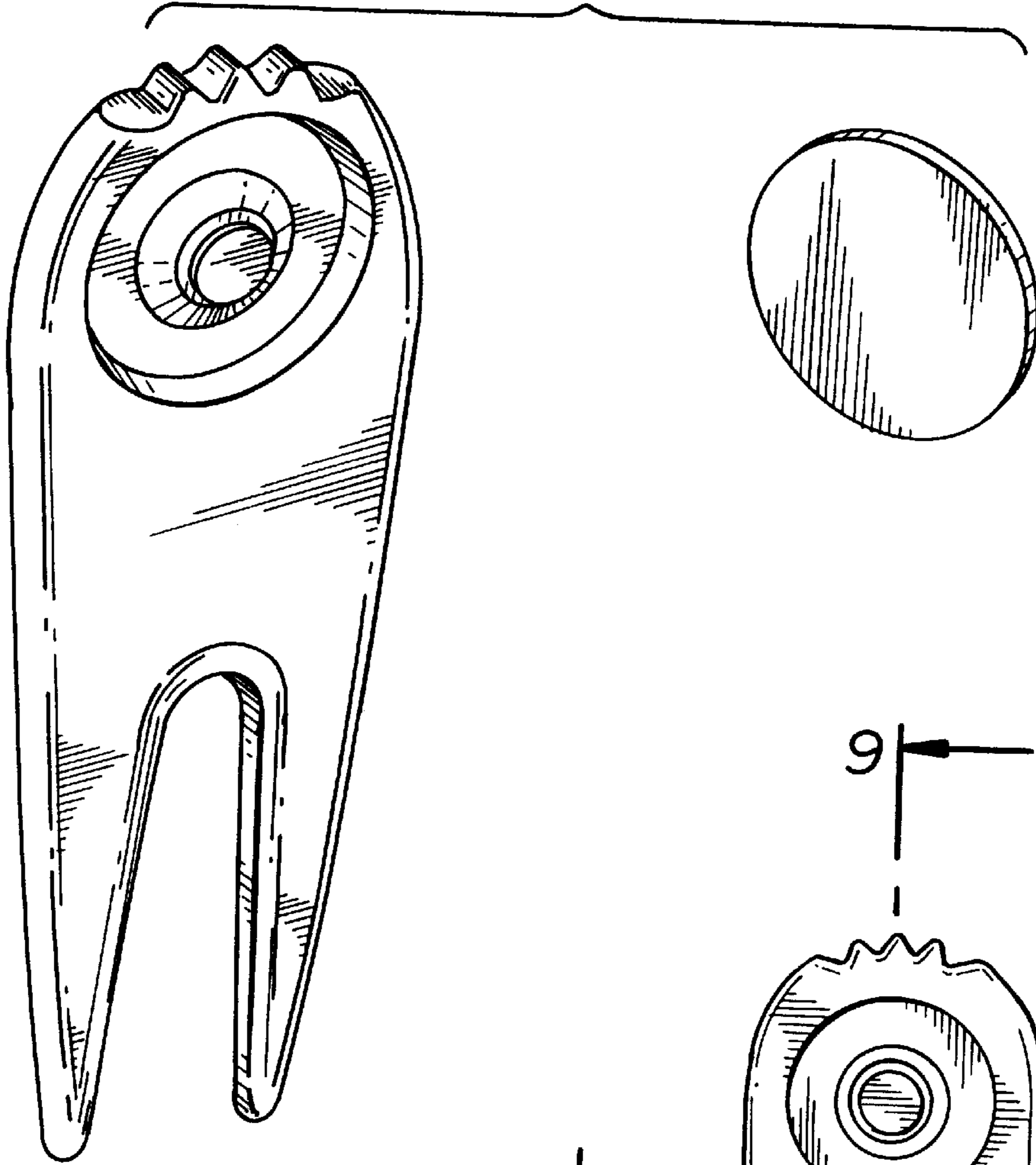


FIG. 8



FIG. 9



FIG. 10

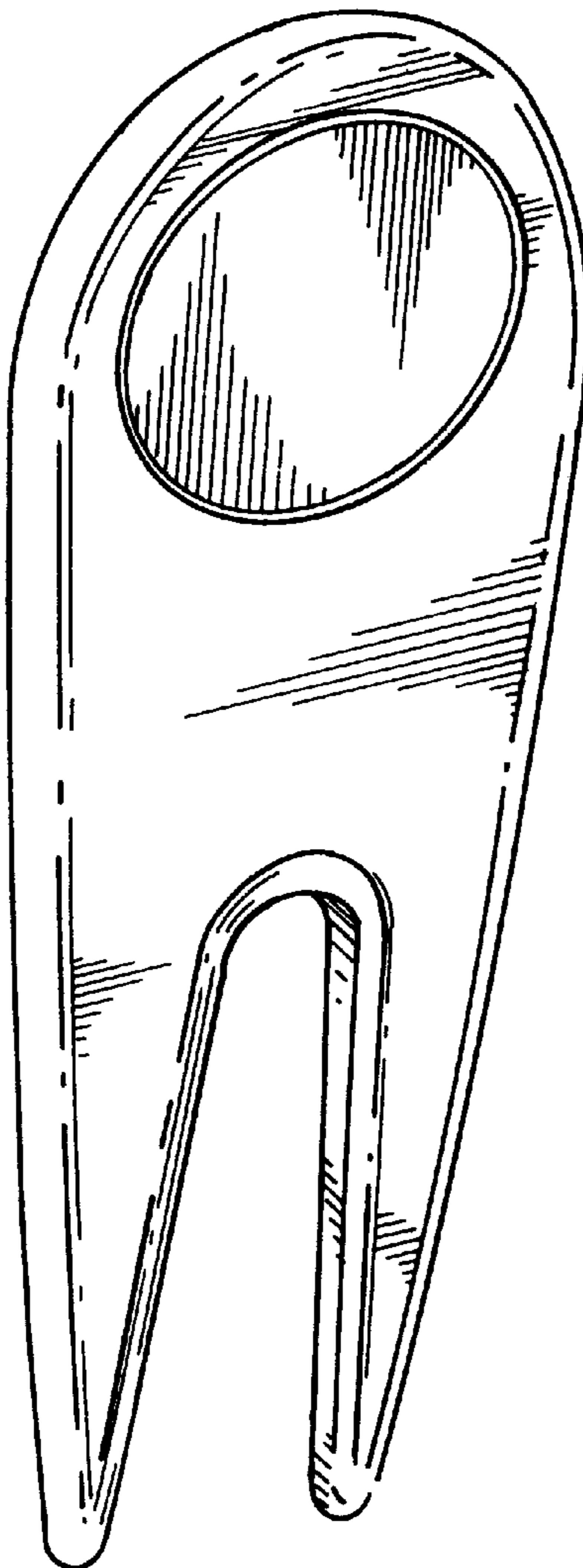


FIG. 11