



US00D409704S

United States Patent [19]

[11] **Patent Number: Des. 409,704**

Nunes

[45] **Date of Patent: ** May 11, 1999**

[54] **PUTTING CUP**

Attorney, Agent, or Firm—Nixon & Vanderhye P.C.

[76] Inventor: **Brendon G. Nunes**, 467 Westney Road, S., Unit 3, Ajax, Ontario, Canada, L1S 8V7

[57] **CLAIM**

The ornamental design for a “putting cup,” as shown and described.

[**] Term: **14 Years**

DESCRIPTION

[21] Appl. No.: **29/092,743**

FIG. 1 is a side elevational view of a putting cup showing my new design, the opposite side being a mirror image thereof;

[22] Filed: **Aug. 25, 1998**

FIG. 2 is a front elevational view;

[51] **LOC (6) Cl.** **21-02**

FIG. 3 is a rear elevational view;

[52] **U.S. Cl.** **D21/791**

FIG. 4 is a top plan view;

[58] **Field of Search** D21/792, 789, D21/791, 796; 473/173, 174, 251

FIG. 5 is a top perspective view;

FIG. 6 is a top plan view of a second embodiment of the putting cup as disclosed in FIG. 1; and,

[56] **References Cited**

FIG. 7 is a top perspective view of FIG. 6.

U.S. PATENT DOCUMENTS

The undisclosed bottom surface of both embodiments is plain and unornamented. The undisclosed side of the second embodiment is identical to those disclosed in the first embodiment.

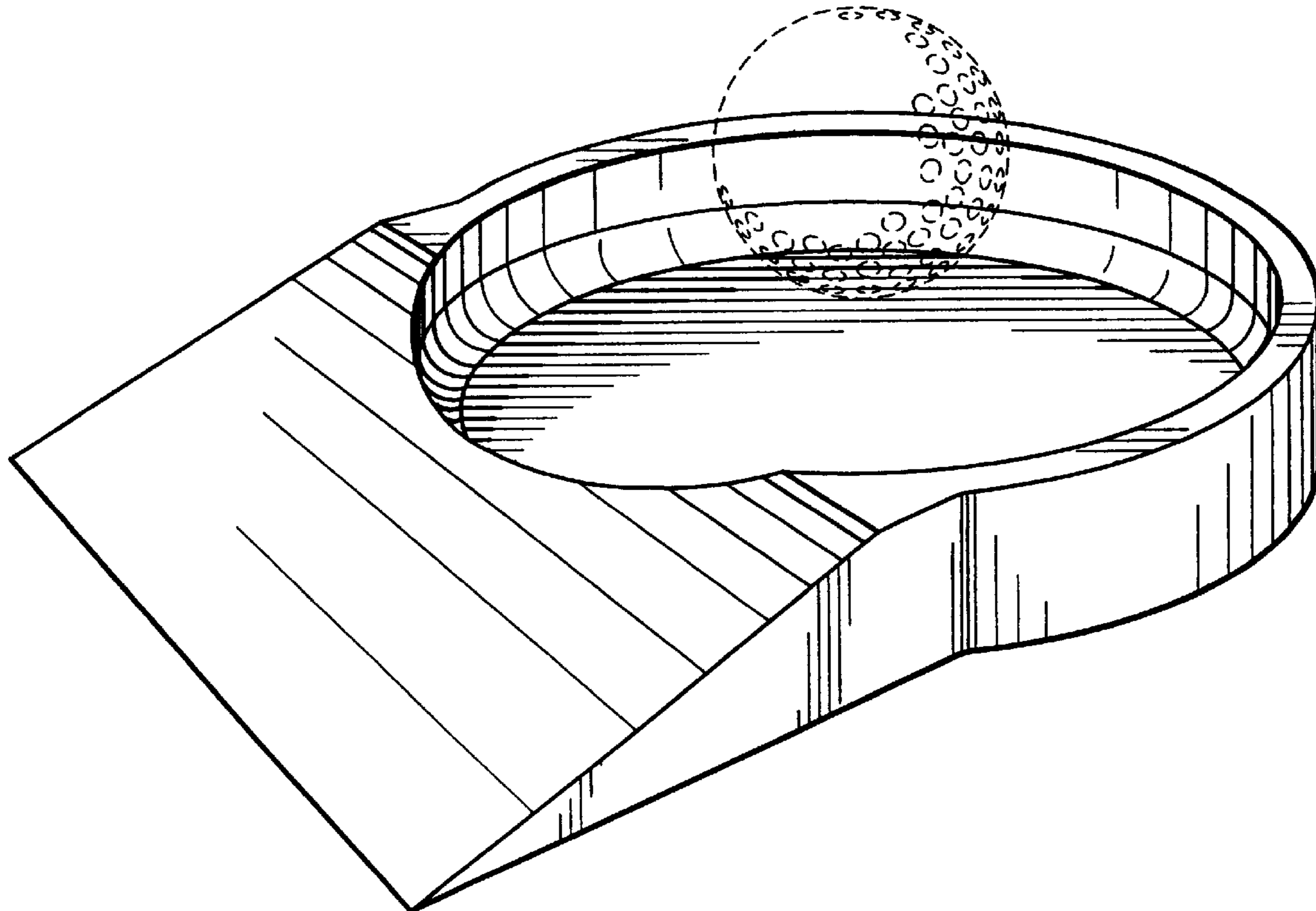
D. 353,433 12/1994 Erdoes et al. D21/792

D. 385,610 10/1997 McDonald D21/791

D. 399,285 10/1998 Ridge D21/791

Primary Examiner—Mitchell I. Siegel

1 Claim, 2 Drawing Sheets



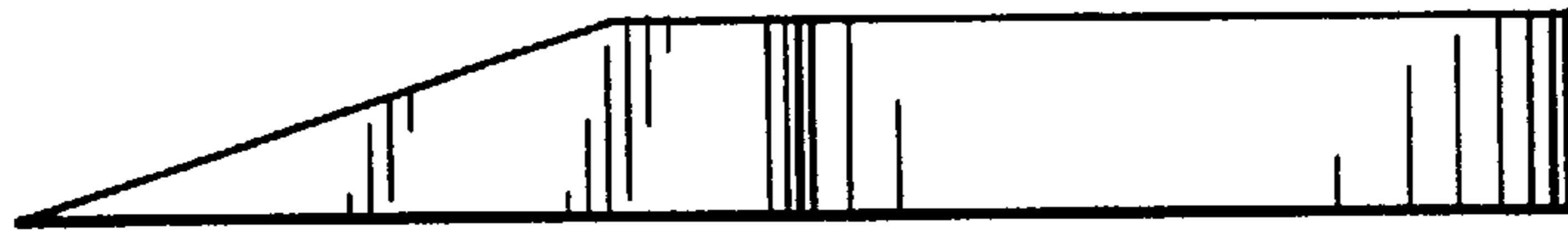


FIG. 1

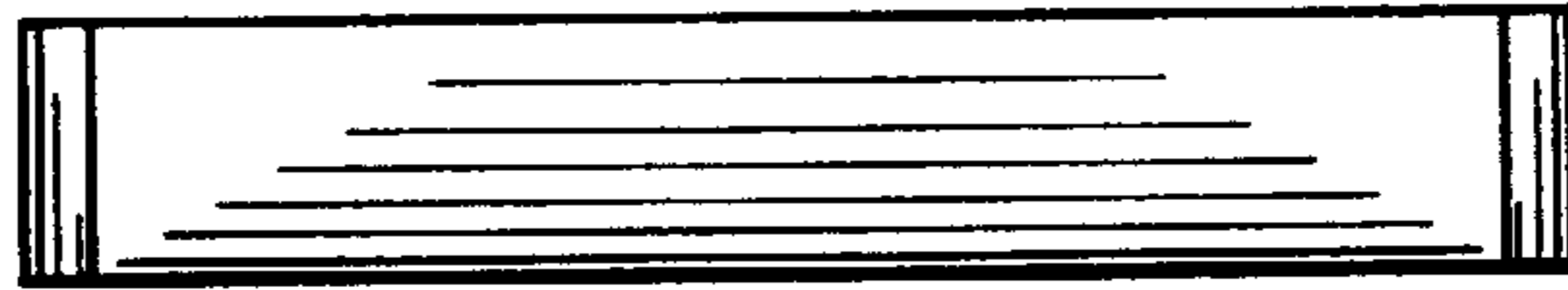


FIG. 2



FIG. 3

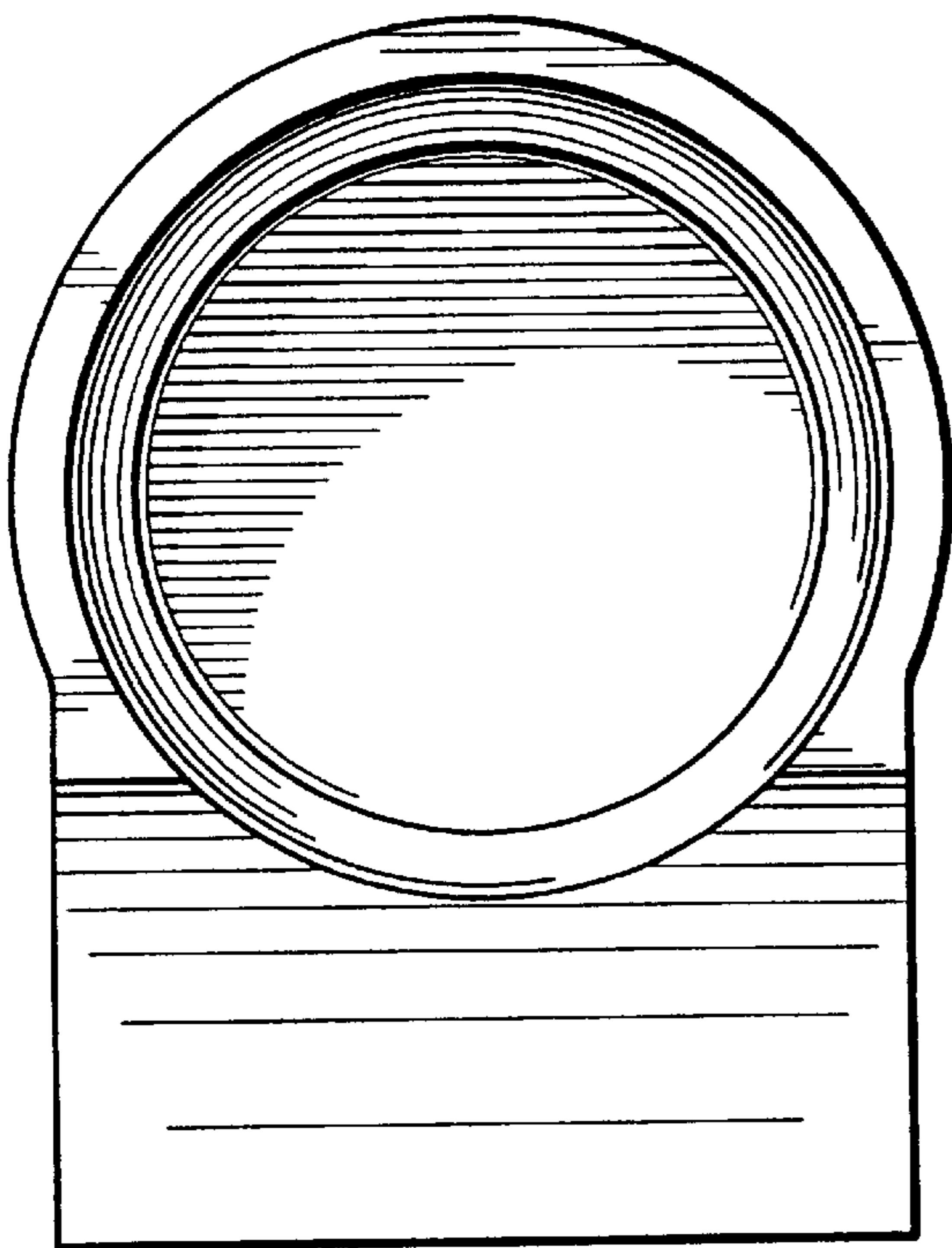


FIG. 4

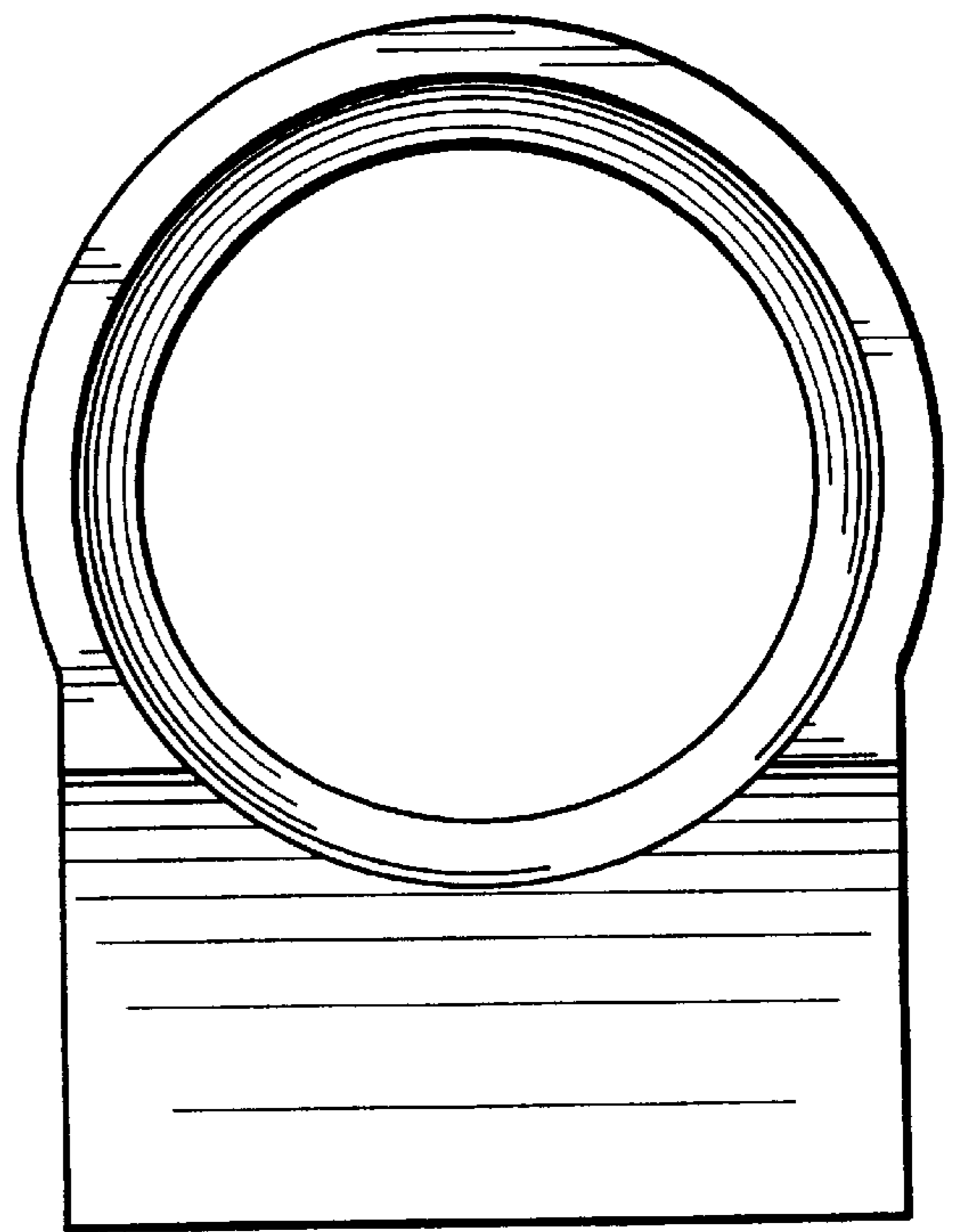


FIG. 6

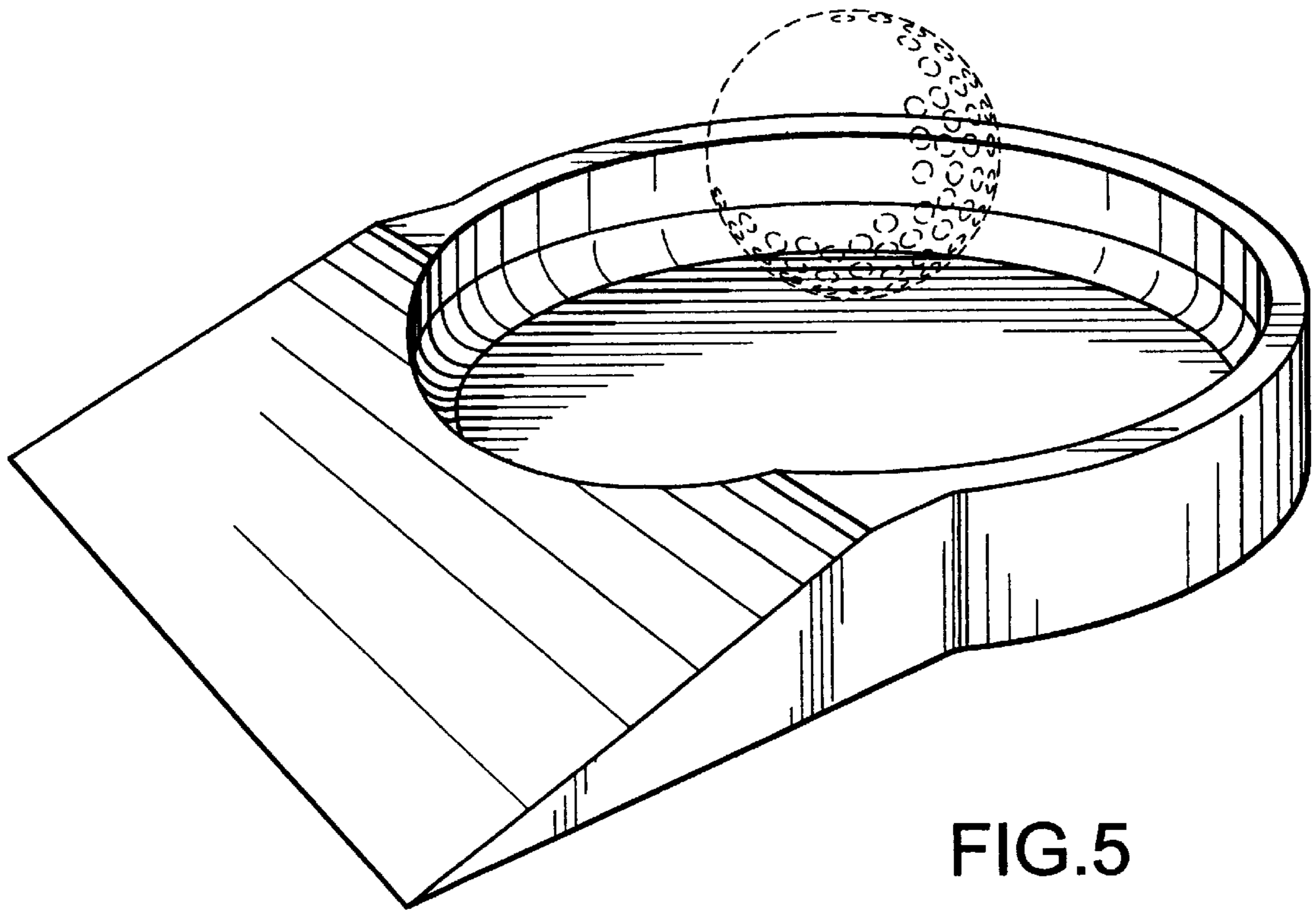


FIG. 5

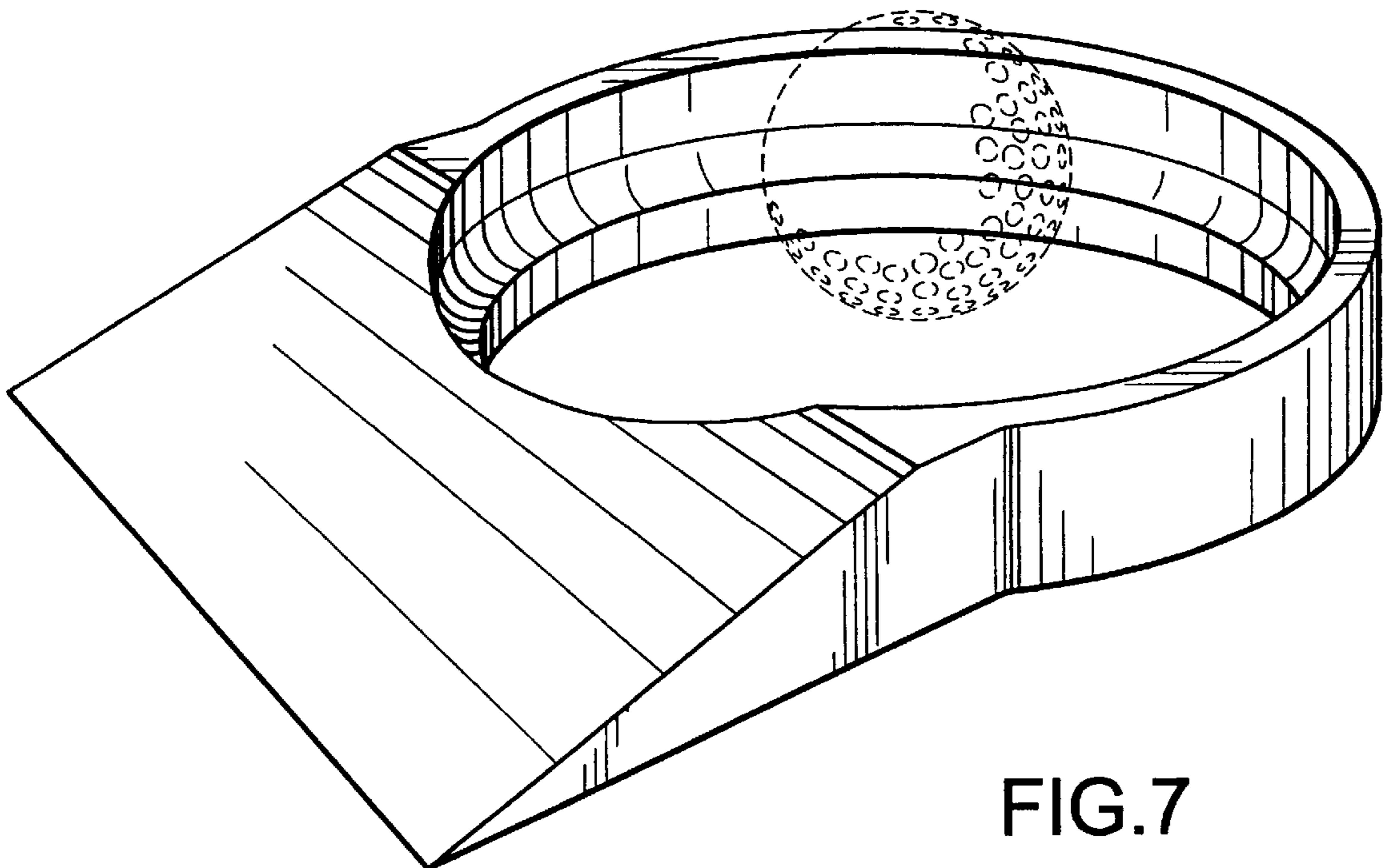


FIG. 7