



US00D409703S

United States Patent [19]
Lee

[11] **Patent Number: Des. 409,703**

[45] **Date of Patent: ** May 11, 1999**

[54] **SNOWBOARD BINDER**

[75] **Inventor: Jong Gu Lee, Seoul, Rep. of Korea**

[73] **Assignee: Ellim Corporation Limited,
Kyunggi-do, Rep. of Korea**

[**] **Term: 14 Years**

[21] **Appl. No.: 29/084,140**

[22] **Filed: Feb. 25, 1998**

[51] **LOC (6) Cl. 21-02**

[52] **U.S. Cl. D21/773**

[58] **Field of Search D21/766-774;
280/607, 613-615, 623**

[57] **CLAIM**

The ornamental design for snowboard binder, as shown and described.

DESCRIPTION

FIG. 1 is a top perspective view of a snowboard binder showing my new design;
FIG. 2 is a front elevational view thereof;
FIG. 3 is a rear elevational view thereof;
FIG. 4 is a left side elevational view thereof;
FIG. 5 is a right side elevational view thereof;
FIG. 6 is a top plan view thereof;
FIG. 7 is a bottom plan view thereof;
FIG. 8 is an exploded top perspective view thereof; and,
FIG. 9 is another exploded top perspective view thereof.

*Primary Examiner—Kay H. Chin
Attorney, Agent, or Firm—Ladas & Parry*

1 Claim, 6 Drawing Sheets

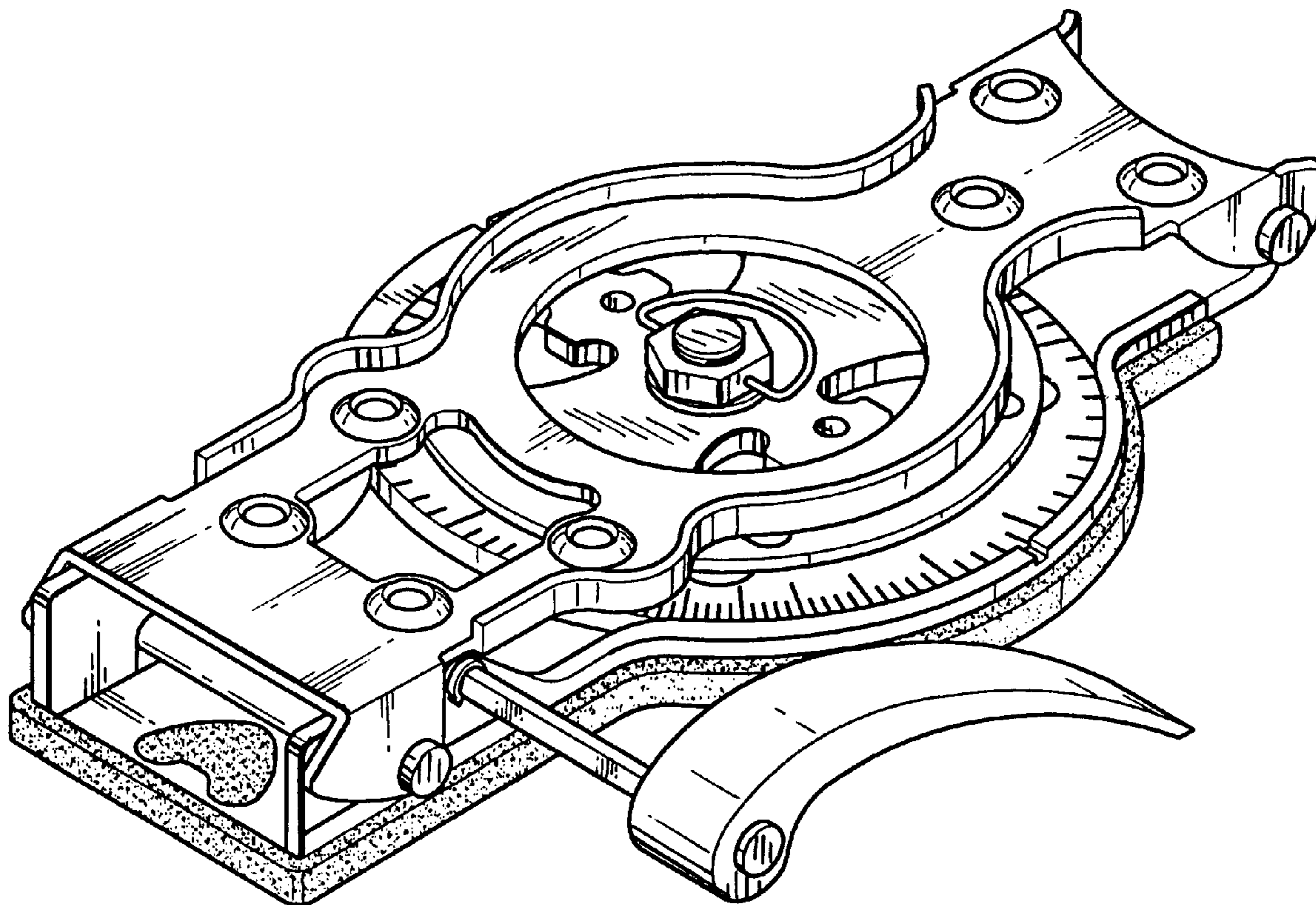


FIG. 1

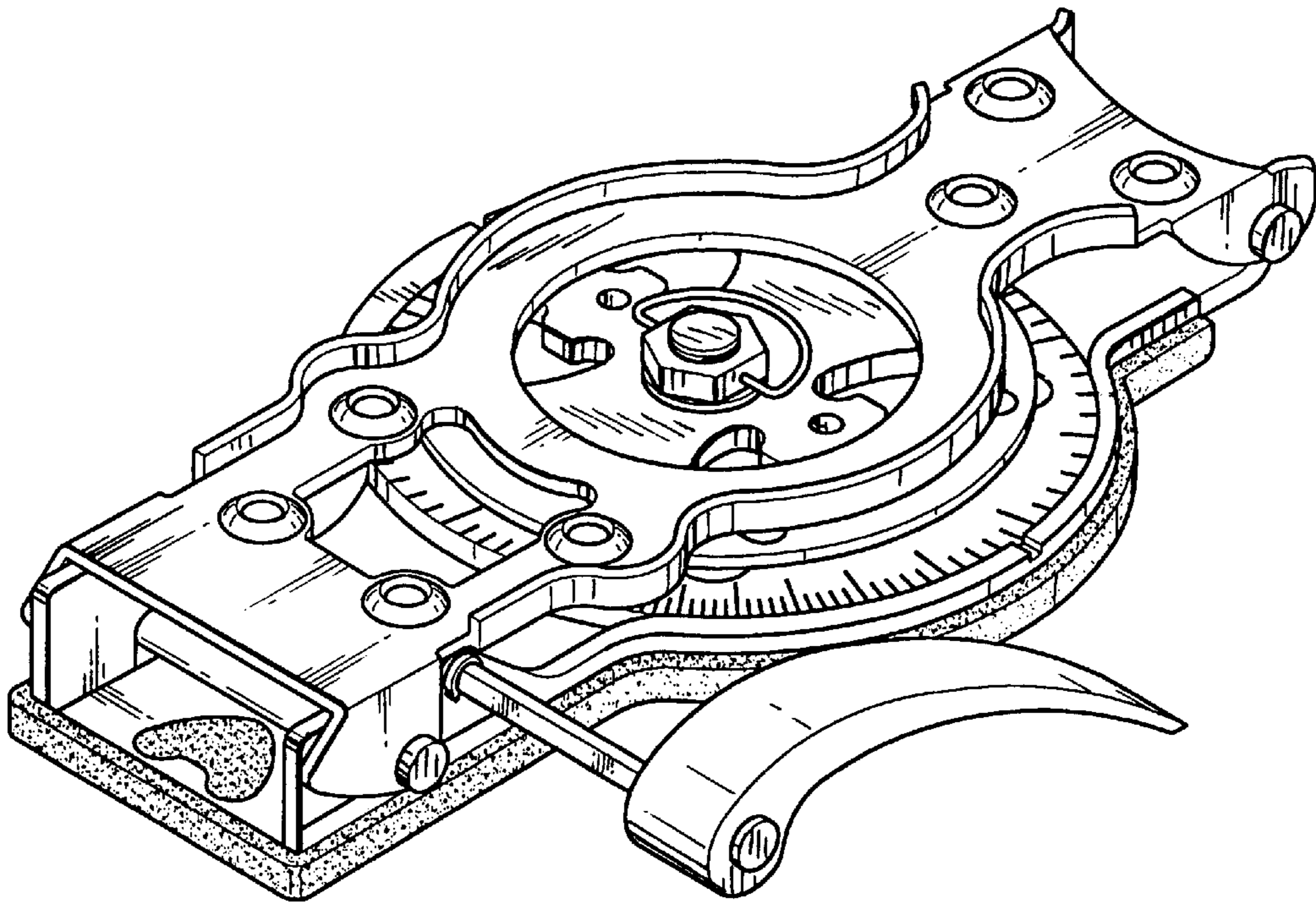


FIG. 2

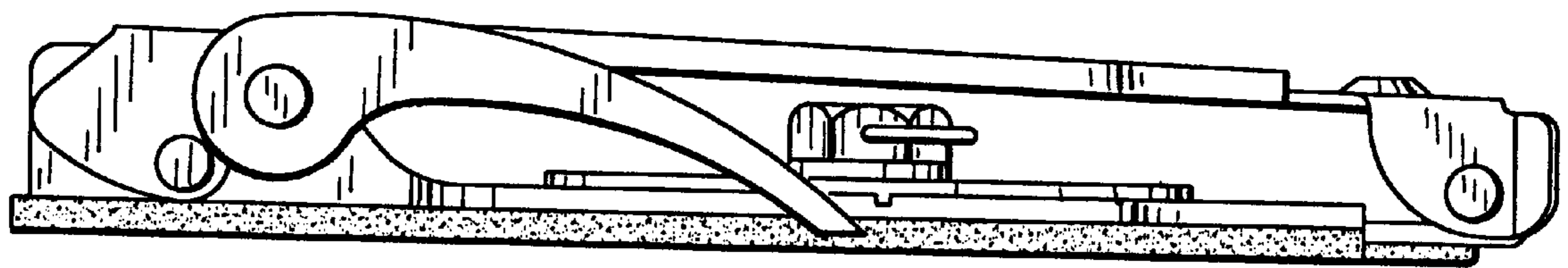


FIG. 3

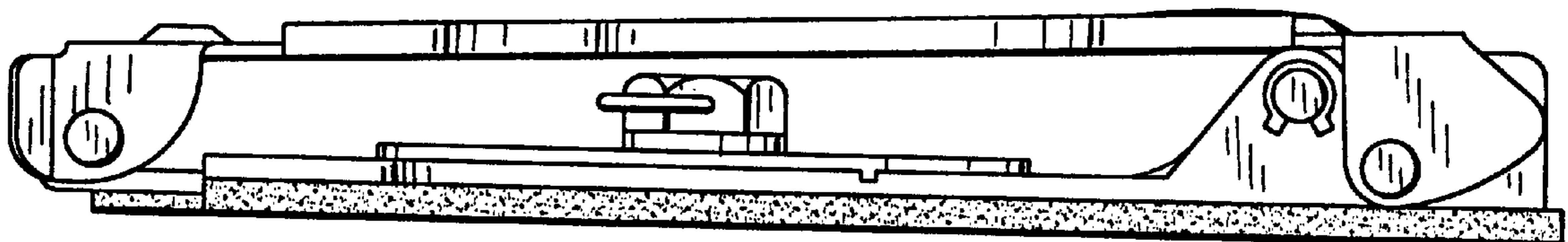


FIG. 4

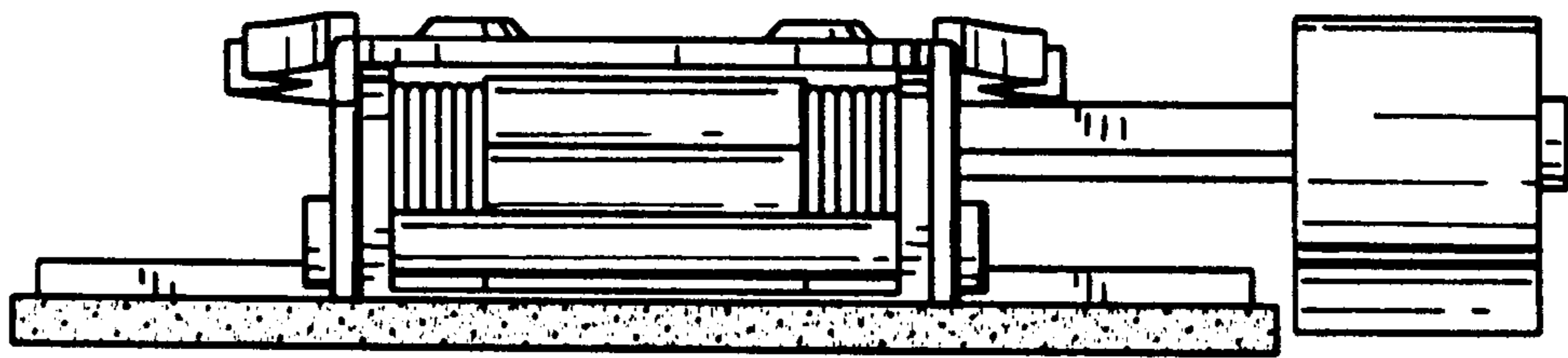


FIG. 5

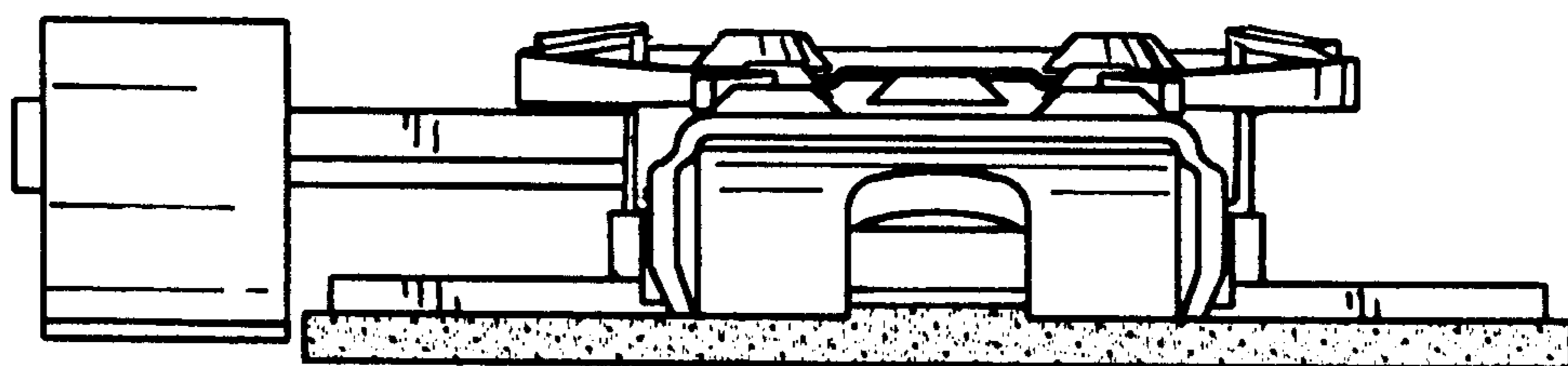


FIG. 6

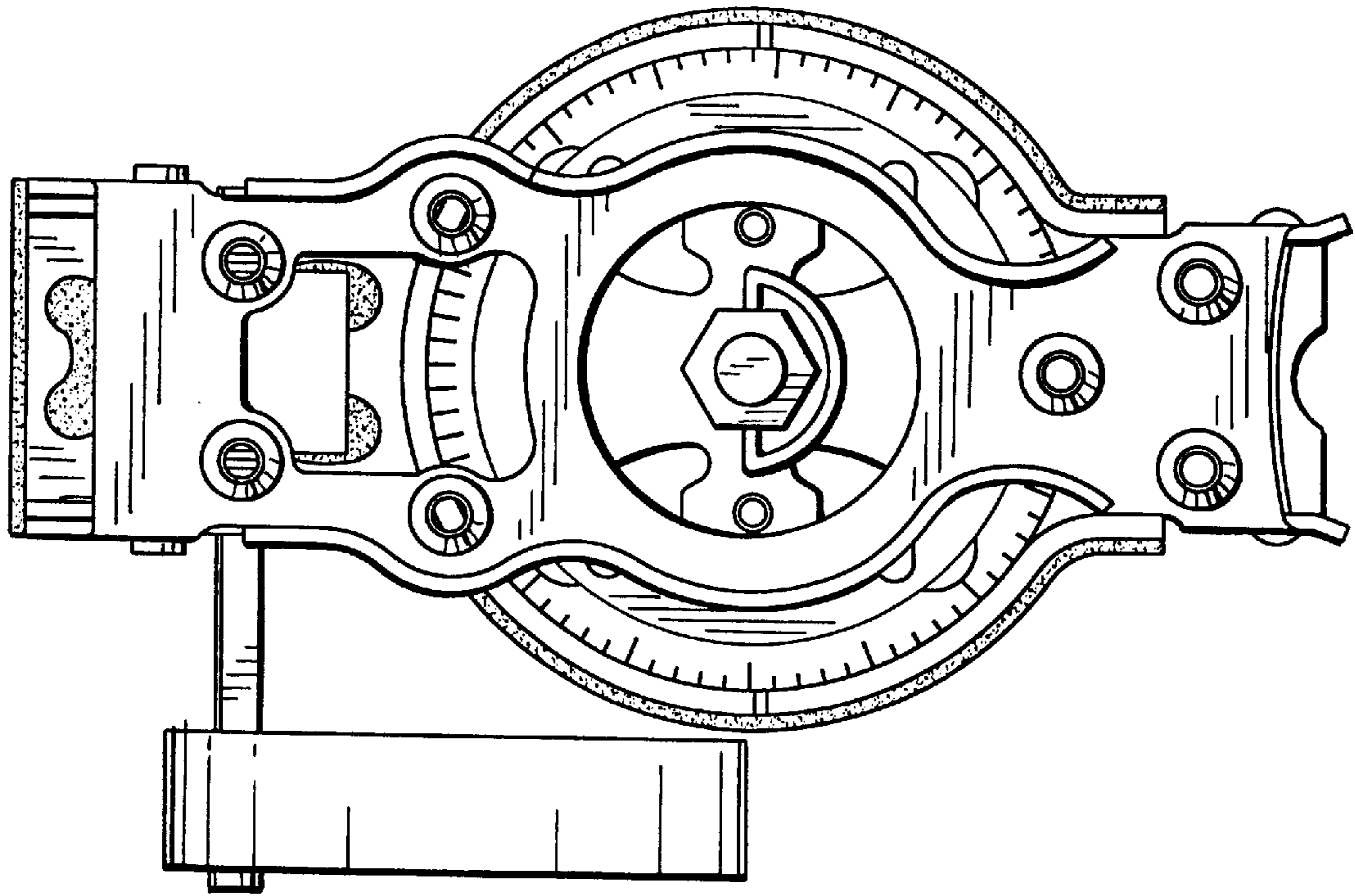


FIG. 7

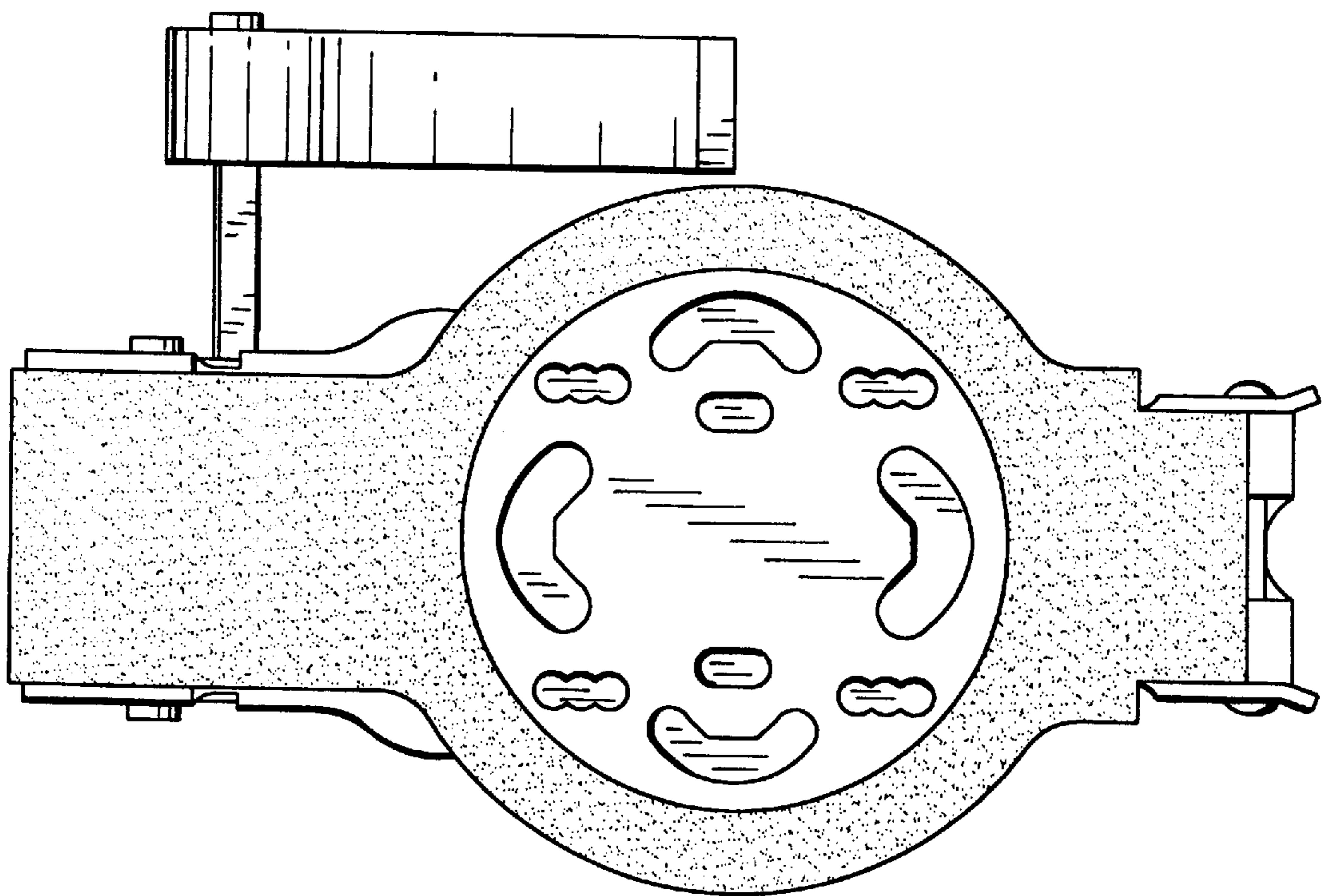


FIG. 8

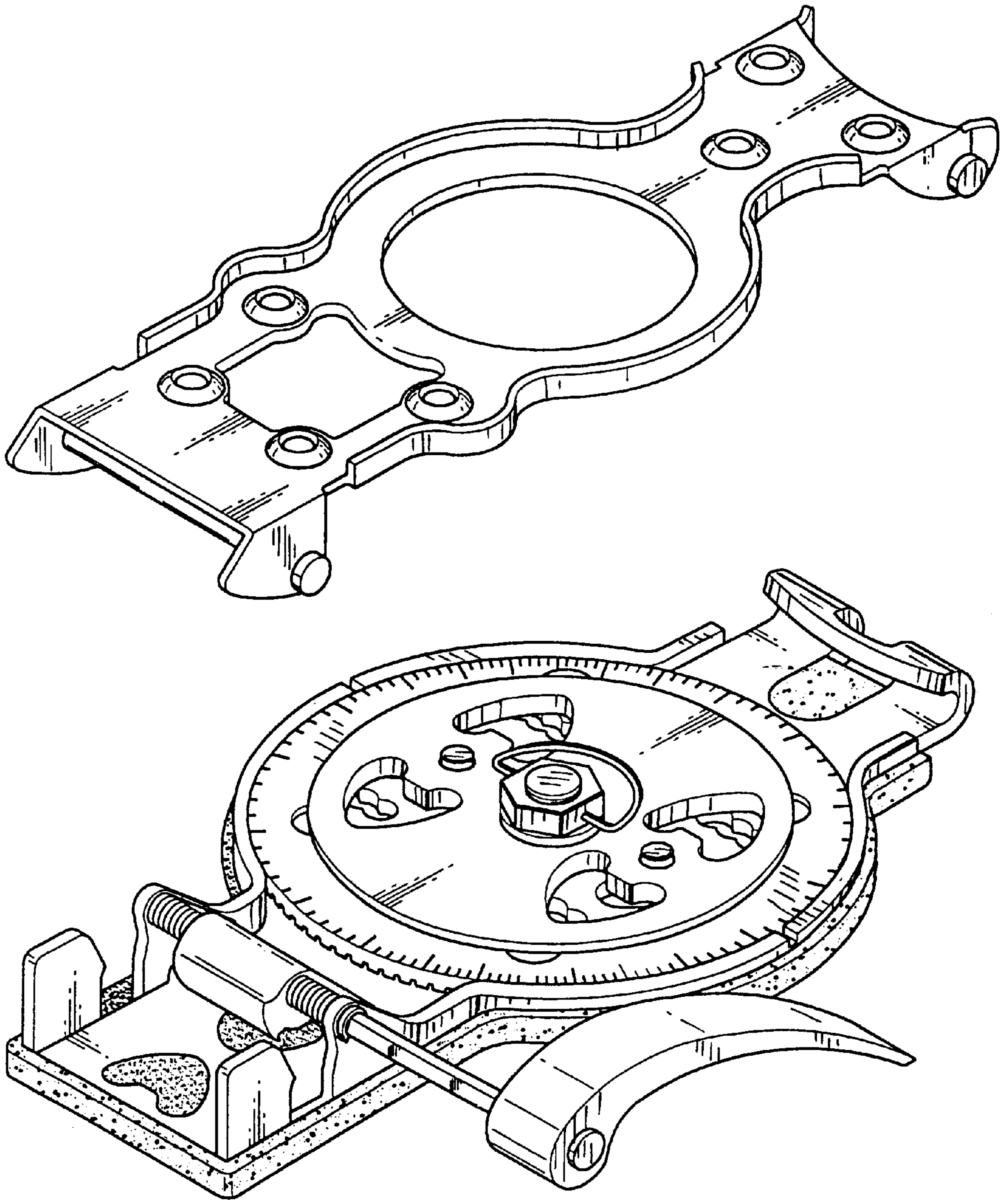
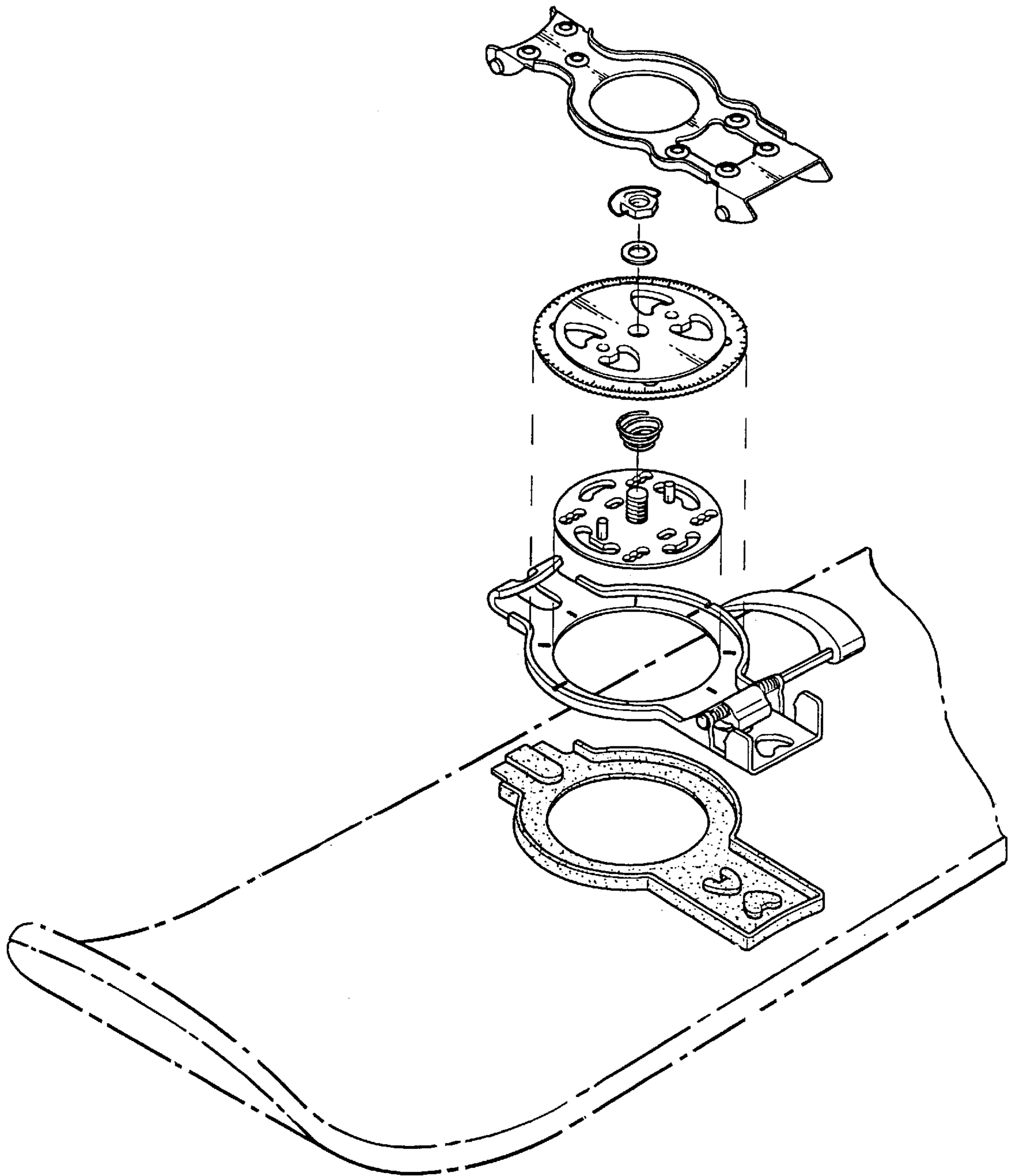


FIG. 9



UNITED STATES PATENT AND TRADEMARK OFFICE
CERTIFICATE OF CORRECTION

PATENT NO. : Des. 409,703
DATED : May 11, 1999
INVENTOR(S) : Jong Gu Lee

It is certified that error appears in the above-identified patent and that said Letters Patent is hereby corrected as shown below:

On the title page, delete "[73] assignee: Ellim Corporation Limited, Kyungg-do, Rep. of Korea".

Signed and Sealed this
Twelfth Day of October, 1999

Attest:



Q. TODD DICKINSON

Attesting Officer

Acting Commissioner of Patents and Trademarks