



US00D409701S

# United States Patent [19]

[11] Patent Number: **Des. 409,701**

Ashcraft et al.

[45] Date of Patent: **\*\* May 11, 1999**

## [54] GOLF CLUB PUTTER STRIKING HEAD

[76] Inventors: **Danny Craig Ashcraft**, 1543 Sapphire Ln., Vista, Calif. 92083; **Richard De La Cruz**, 32019 Wiskon East, Pauma Valley, Calif. 92161

[\*\*] Term: **14 Years**

[21] Appl. No.: **29/026,023**

[22] Filed: **Oct. 6, 1994**

[51] LOC (6) Cl. .... **21-02**

[52] U.S. Cl. .... **D21/743**

[58] Field of Search ..... D21/736-746;  
473/251-256, 324, 327, 328, 340, 341

## [56] References Cited

### U.S. PATENT DOCUMENTS

D. 264,743	6/1982	Mills	.....	D21/736
D. 264,745	6/1982	Mills	.....	D21/736
D. 350,582	9/1994	Miansian et al.	.....	D21/742
D. 396,258	7/1998	Sheets	.....	D21/743
4,043,562	8/1977	Shillington	.....	473/254
5,429,366	7/1995	McCabe	.....	473/251

### OTHER PUBLICATIONS

Golf Day; p. 6; Spalding TP putters, Nov. 1995.

Golf World; p. 34 and 35; putters, Jul. 1988.

Primary Examiner—Mitchell I Siegel

Attorney, Agent, or Firm—Thomas M. Scofield

## [57] CLAIM

The ornamental design for a golf club putter striking head, as shown and described.

## DESCRIPTION

FIG. 1 is a three-quarter perspective view of a golf club putter striking head.

FIG. 2 is a front view of the striking face of the golf club putter striking head.

FIG. 3 is a top plan view of the golf club putter striking head.

FIG. 4 is a rear view of the golf club putter striking head.

FIG. 5 is a bottom plan view of the golf club putter striking head.

FIG. 6 is a front end view of the golf club putter striking head.

FIG. 7 is a rear end view of the golf club putter striking head.

FIG. 8 is a three-quarter perspective view of a second embodiment of the golf club putter striking head as disclosed in FIG. 1.

FIG. 9 is a top plan view of the golf club putter striking head of FIG. 8.

FIG. 10 is a front view of the golf club putter striking head of FIG. 8.

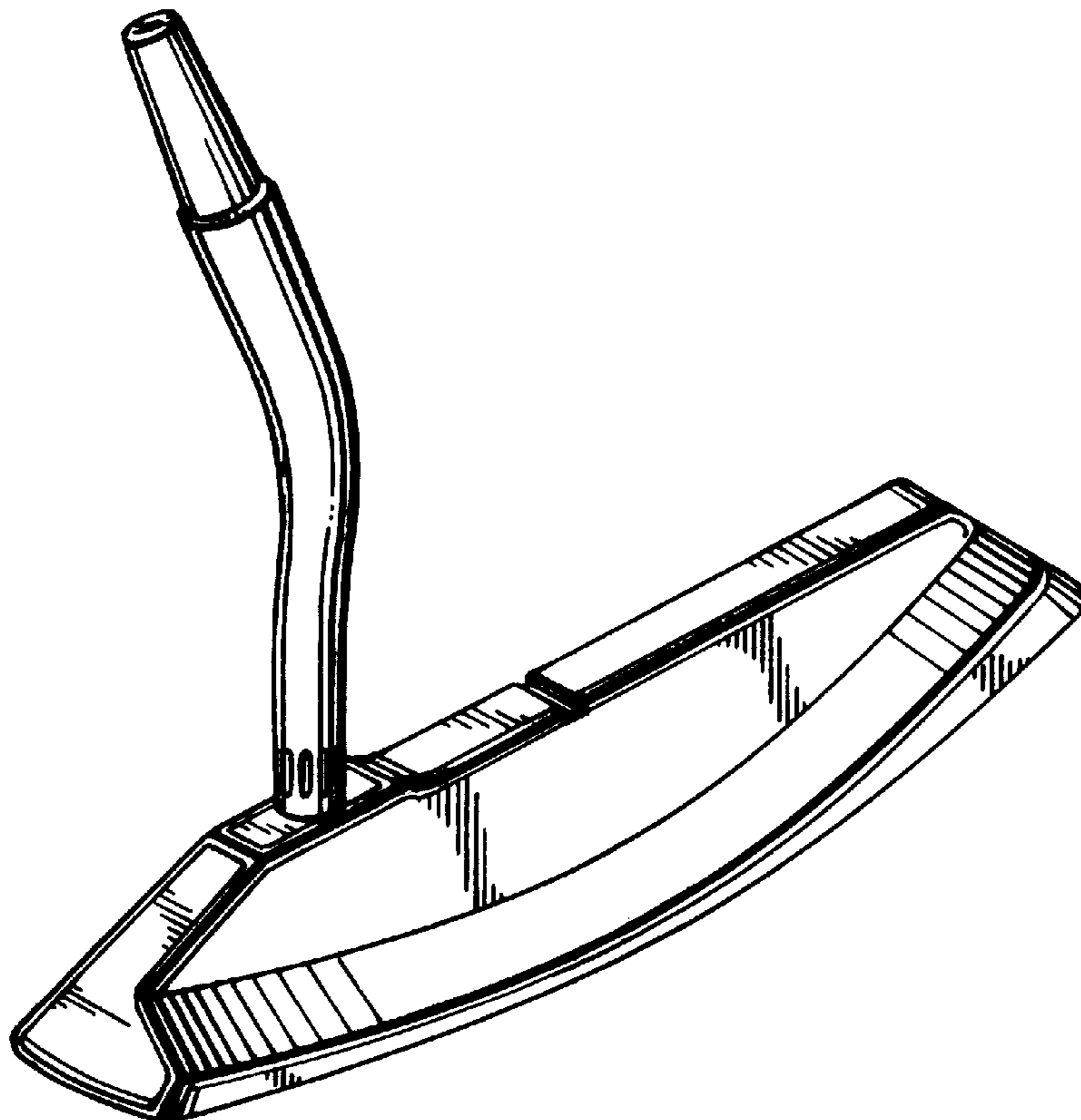
FIG. 11 is a bottom view of the golf club putter striking head of FIG. 8.

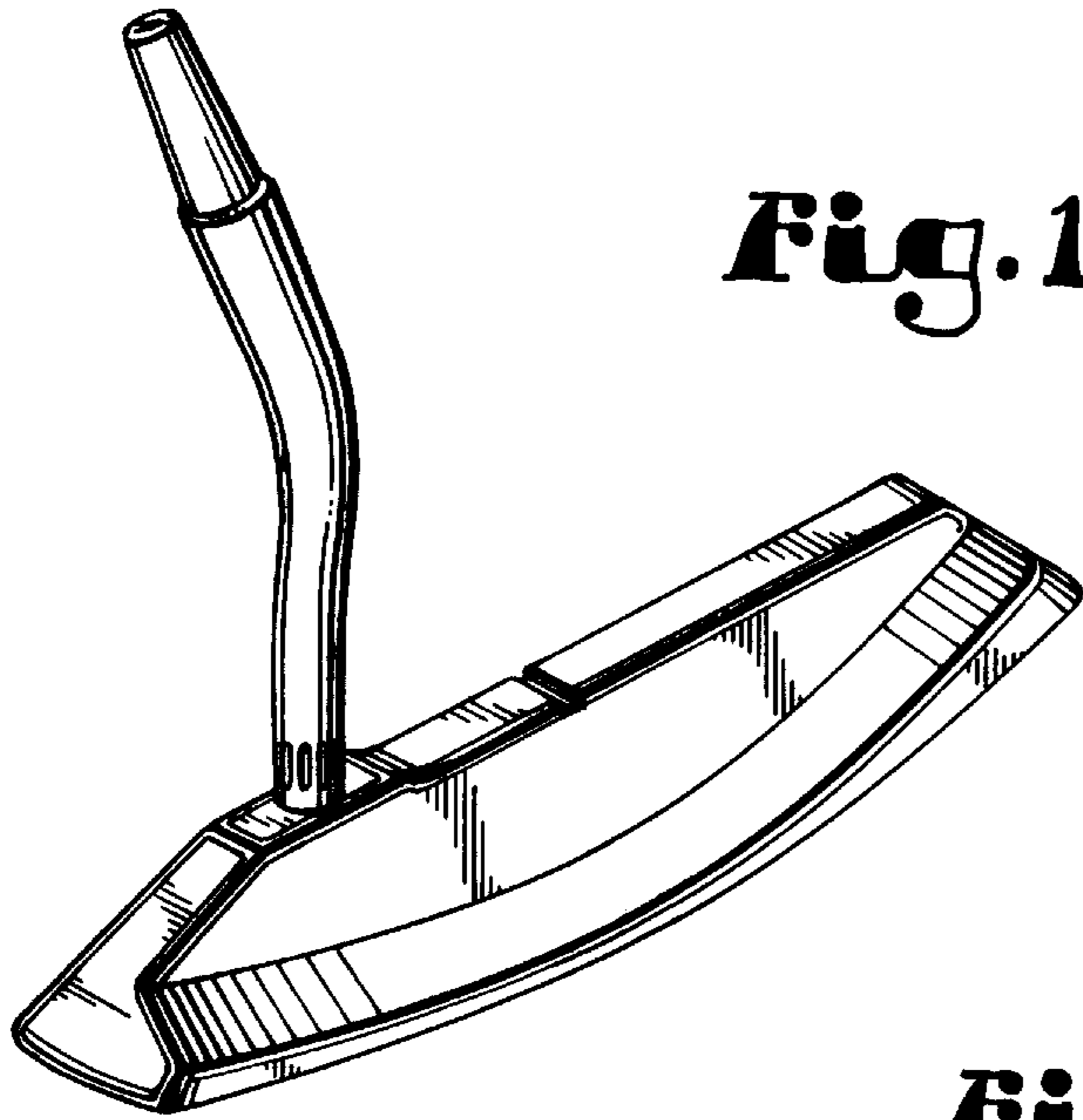
FIG. 12 is a front end view of the golf club putter striking head of FIG. 8.

FIG. 13 is a rear end view of the golf club putter striking head of FIG. 8; and,

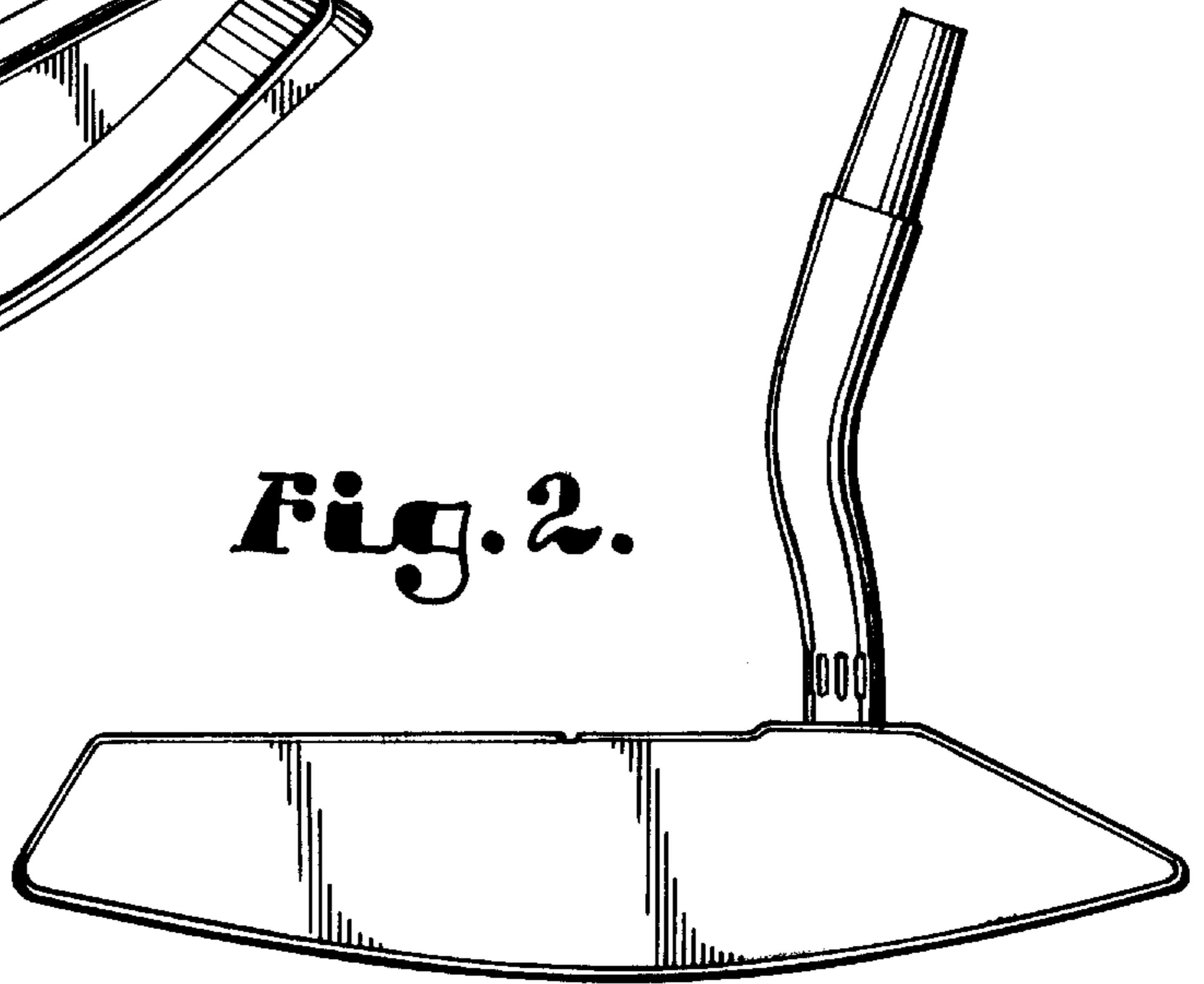
FIG. 14 is a front end view of the golf club putter striking head of FIG. 8.

**1 Claim, 3 Drawing Sheets**



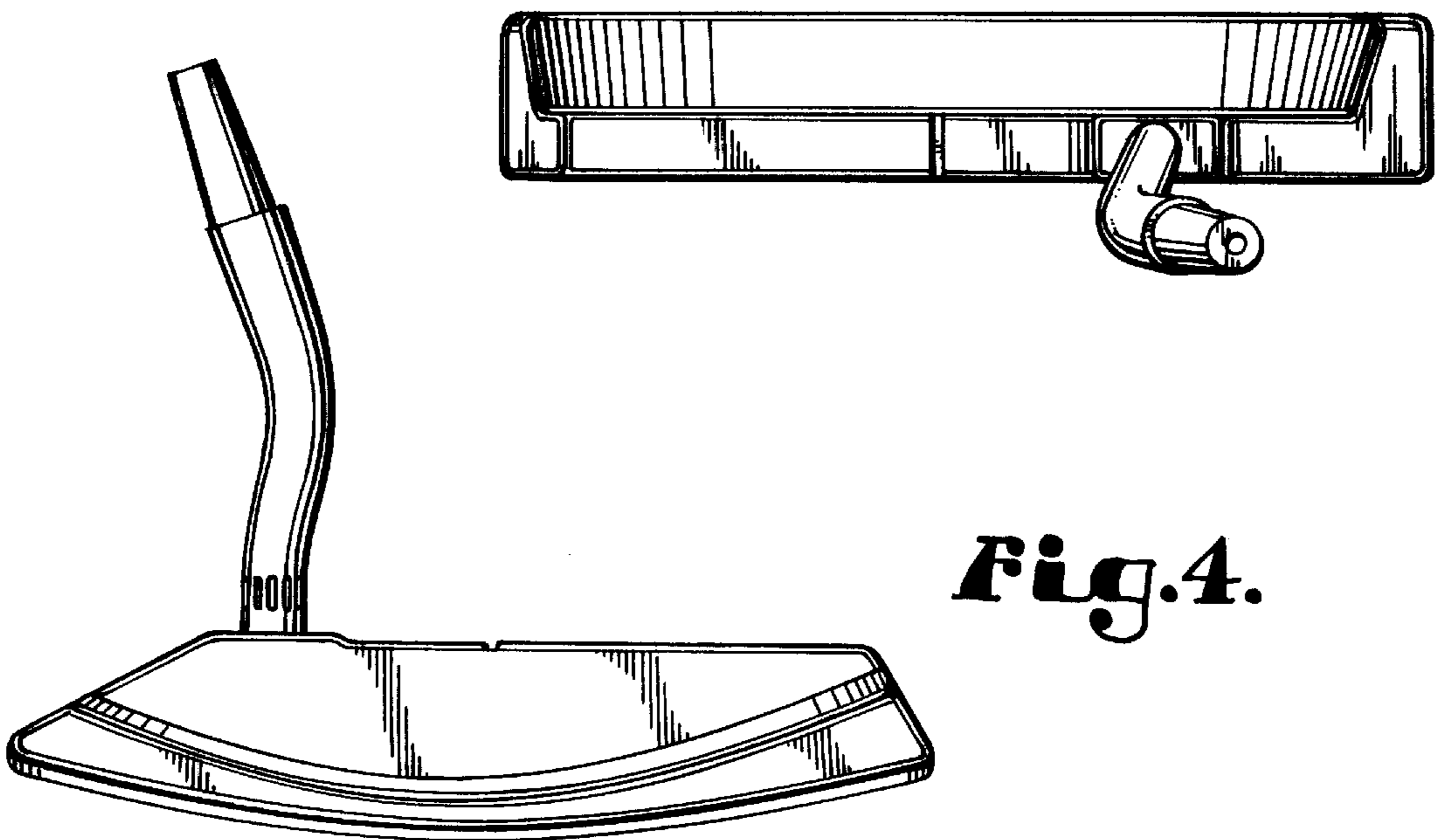


**Fig. 1.**

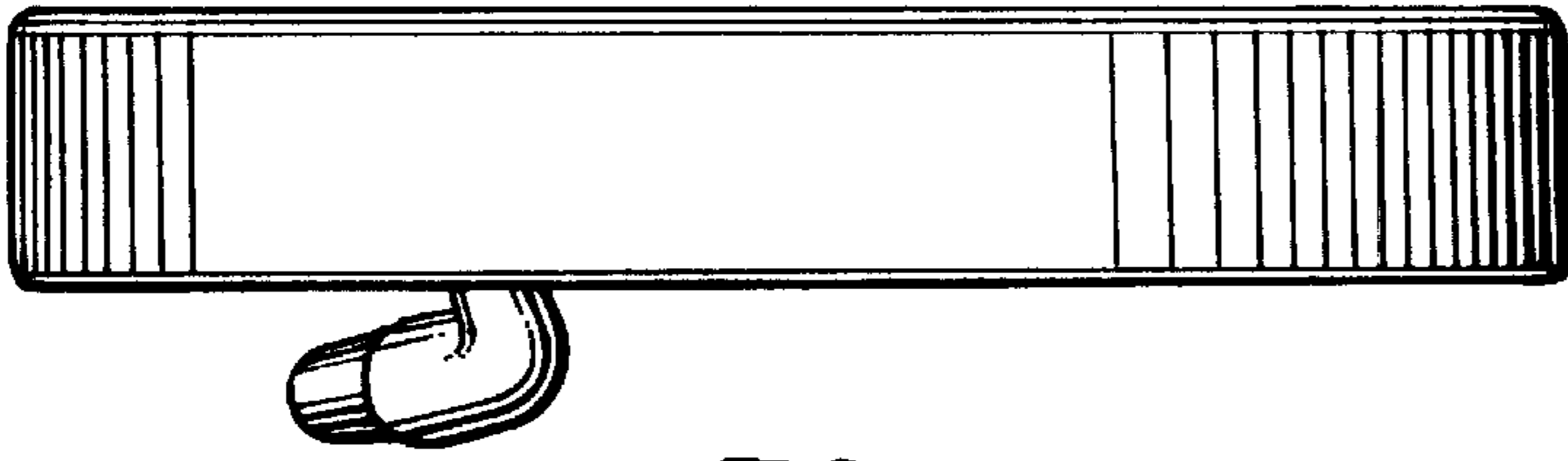


**Fig. 2.**

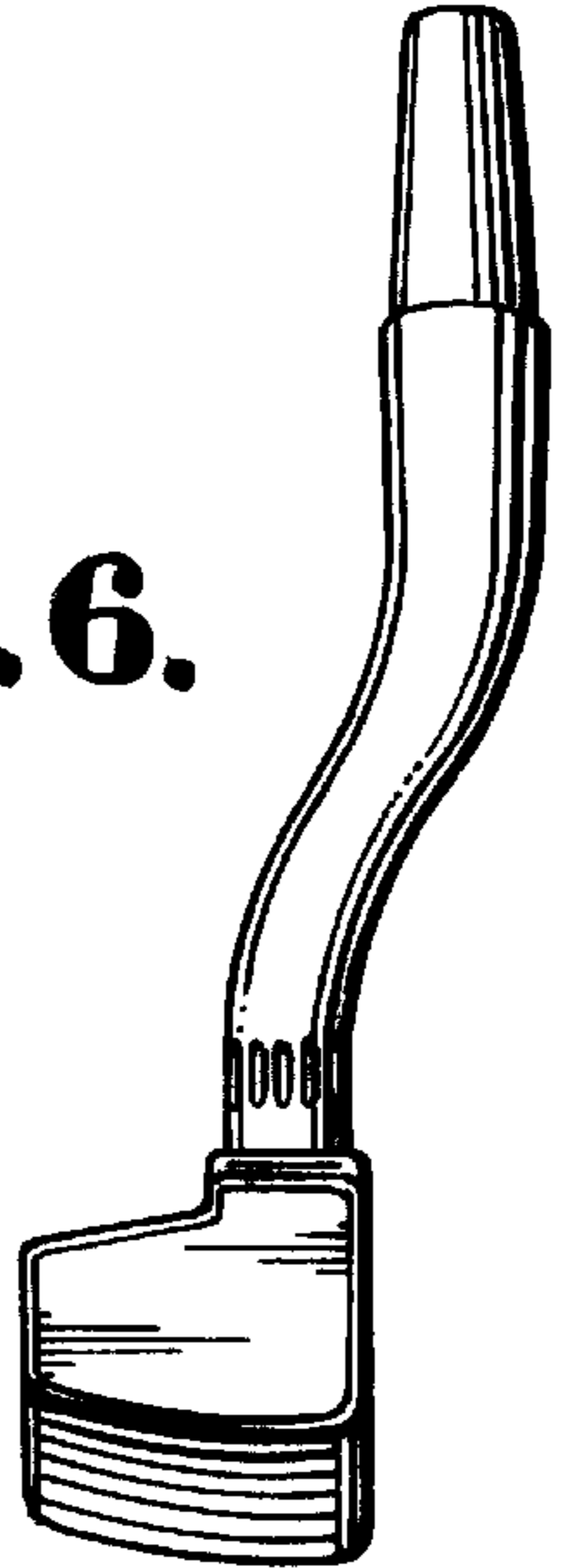
**Fig. 3.**



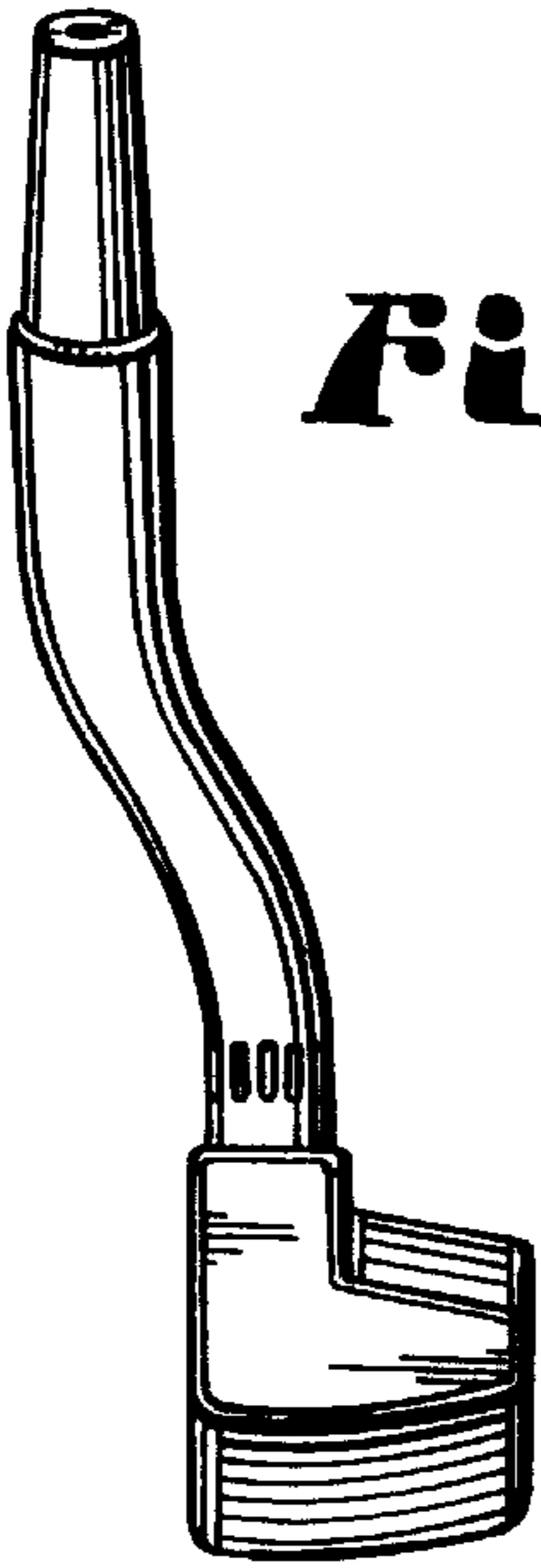
**Fig. 4.**



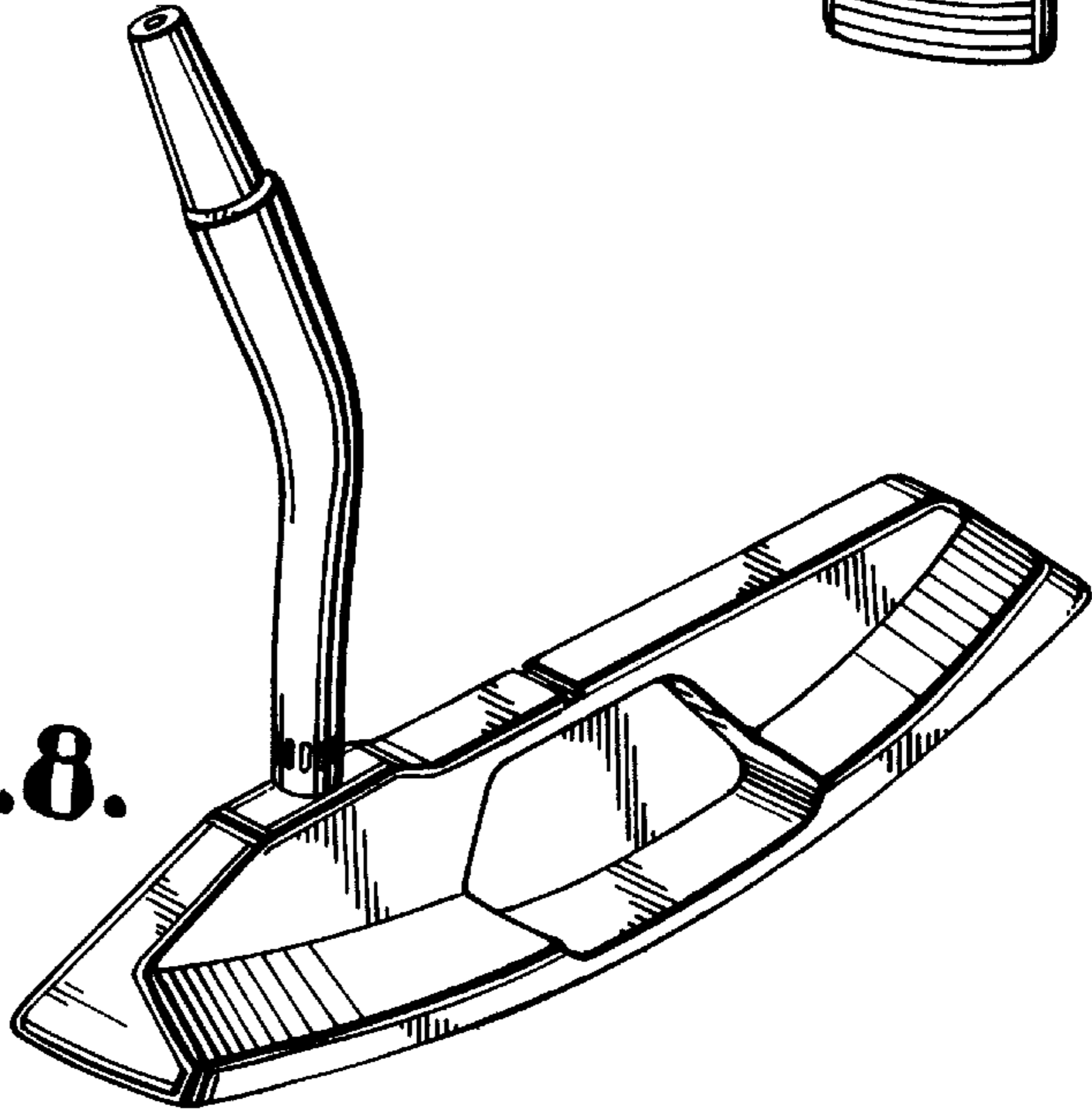
**Fig. 5.**



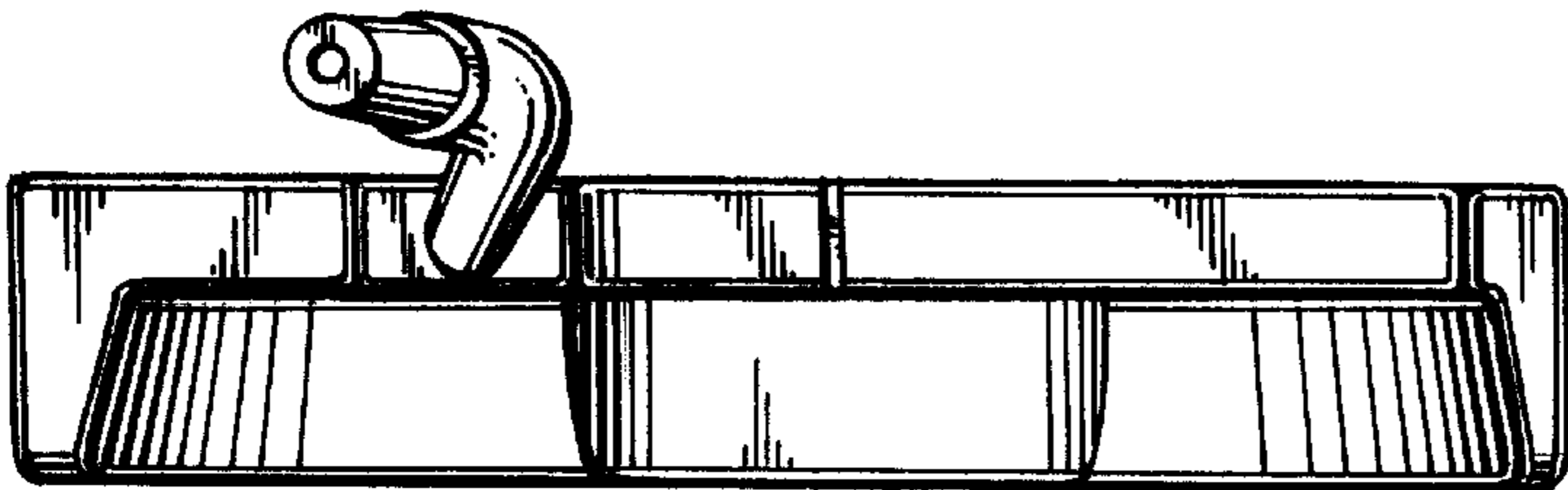
**Fig. 6.**



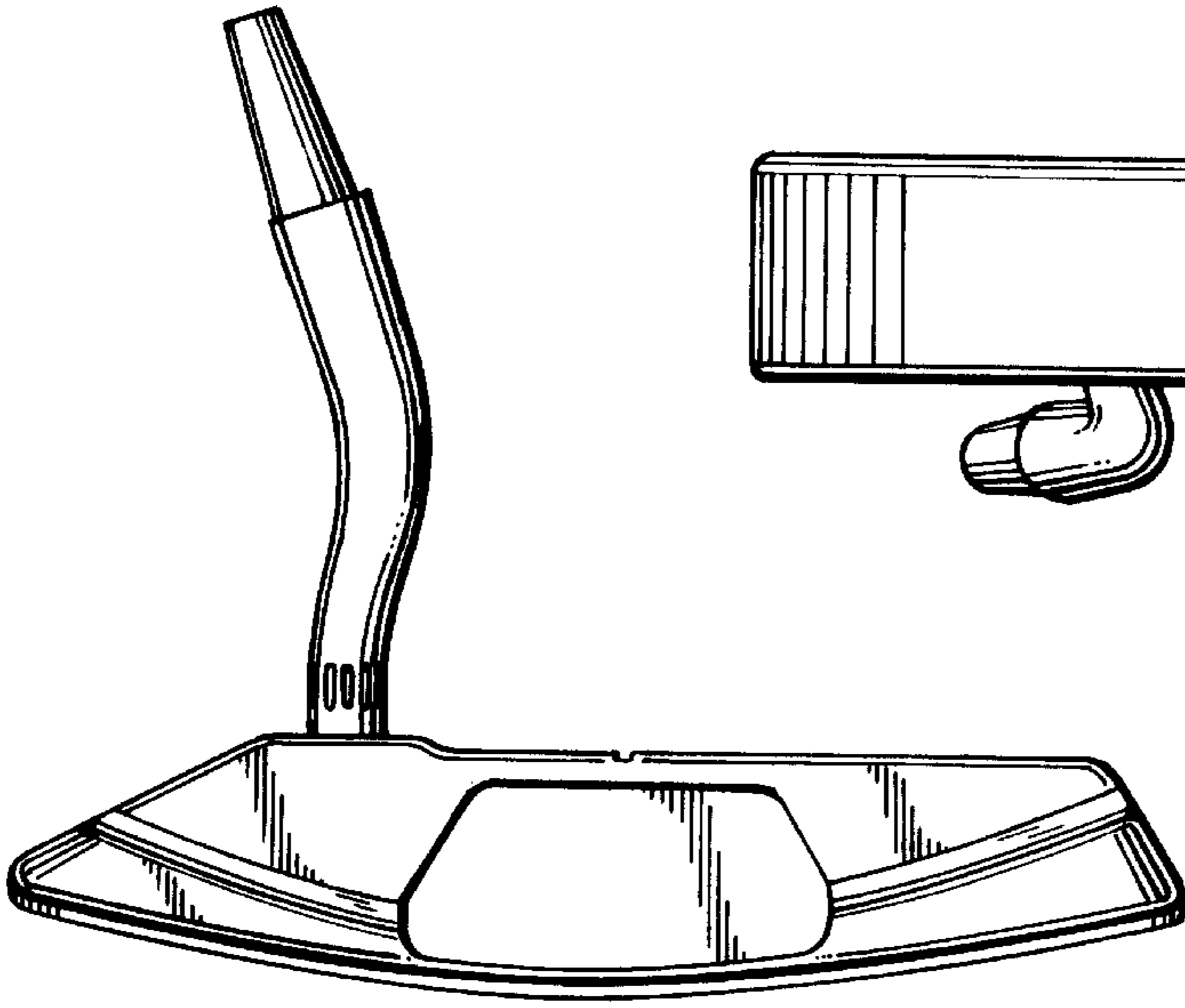
**Fig. 7.**



**Fig. 8.**



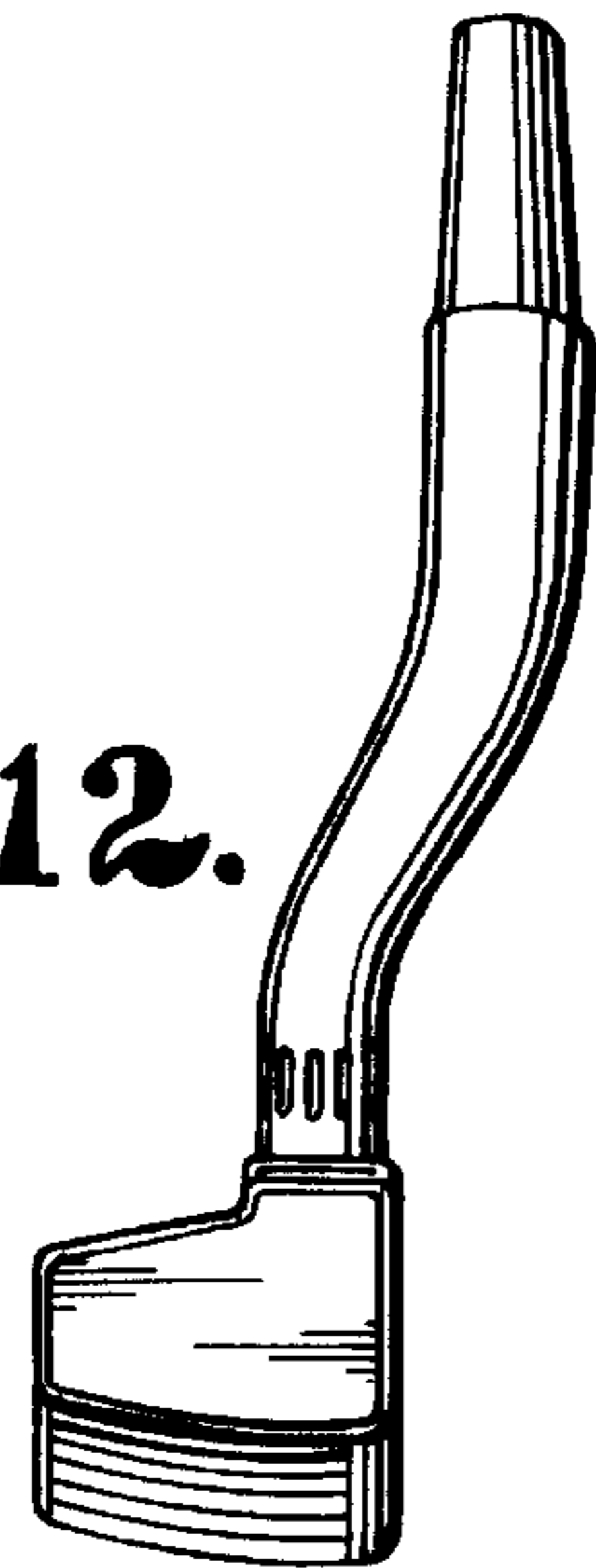
**Fig. 9.**



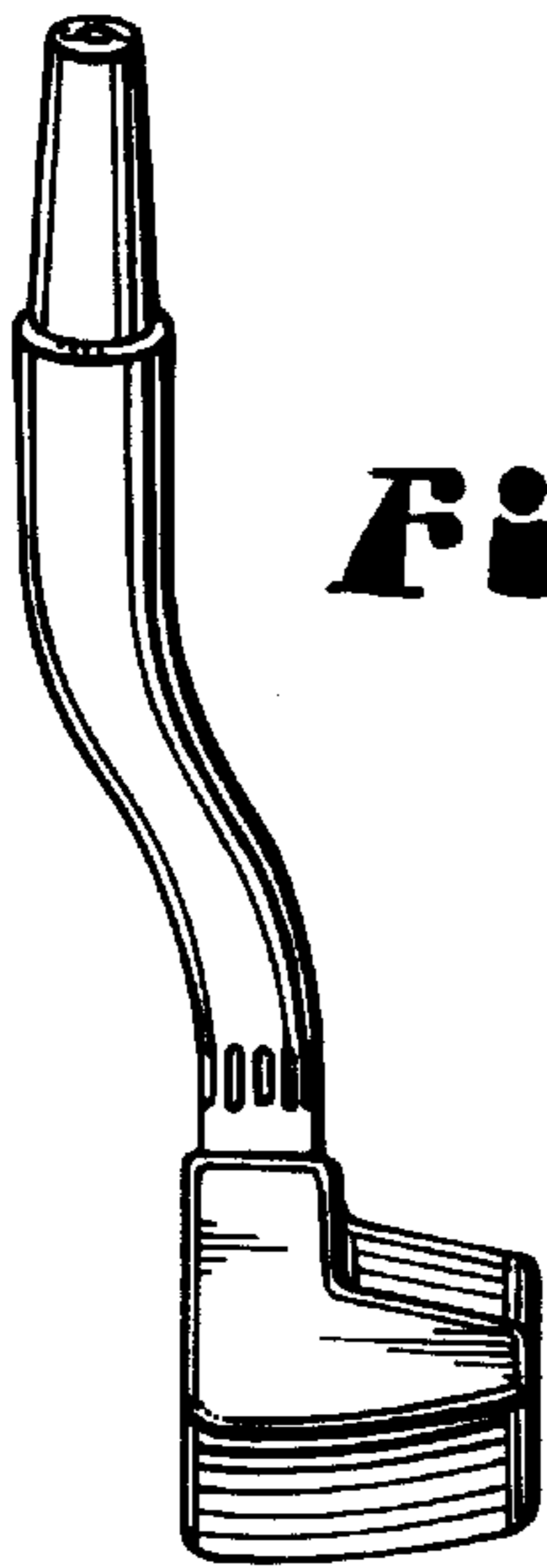
**Fig. 10.**



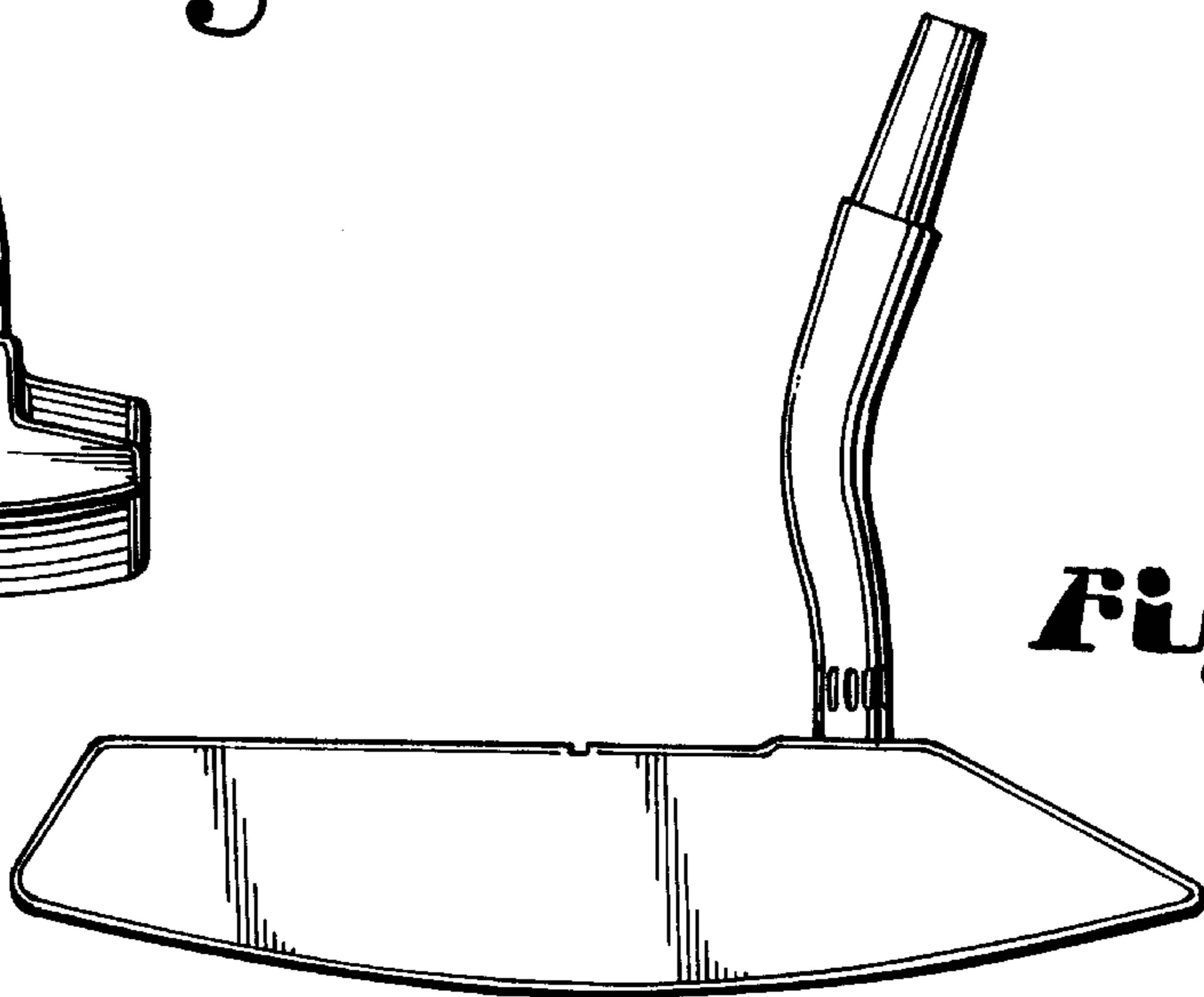
**Fig. 11.**



**Fig. 12.**



**Fig. 13.**



**Fig. 14.**