



US00D409698S

United States Patent [19]

Beckham et al.

[11] **Patent Number: Des. 409,698**

[45] **Date of Patent: ** *May 11, 1999**

[54] **TABLE TENNIS GAME TABLE TOP WITH BANKBOARDS**

[76] Inventors: **Raymond E. Beckham**, 1260 Oak Crest Cir., Provo, Utah 84604; **Bernard J. Barnes**, 6348 W. Aurora Dr., Glendale, Ariz. 85308

[*] Notice: This patent is subject to a terminal disclaimer.

[**] Term: **14 Years**

[21] Appl. No.: **29/084,986**

[22] Filed: **Mar. 12, 1998**

[51] **LOC (6) Cl.** **21-02**

[52] **U.S. Cl.** **D21/698**

[58] **Field of Search** D21/334, 397, D21/698, 799; 273/236-285; 473/496

[56] **References Cited**

U.S. PATENT DOCUMENTS

D. 187,034 1/1960 Lohr D21/799

D. 260,154 8/1981 Dremel D21/397
4,176,842 12/1979 Zaldivar 473/496
5,460,365 10/1995 Payne 473/496
5,575,471 11/1996 Robinson et al. 473/496

Primary Examiner—Sandra L. Morris
Attorney, Agent, or Firm—Hill Johnson & Schmutz; Angus C. Fox, III

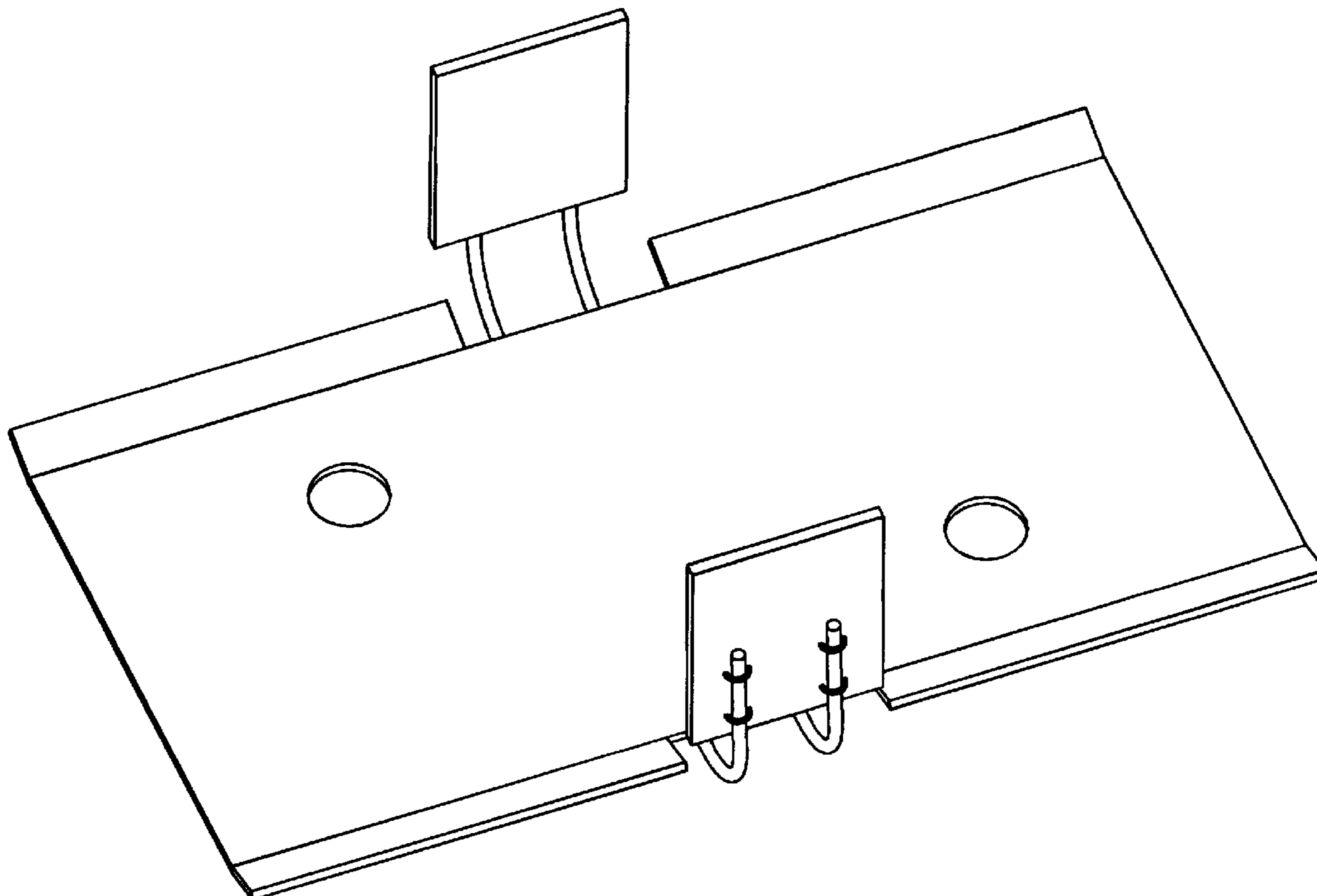
[57] **CLAIM**

The ornamental design for a table tennis game table top with bankboards, as shown and described.

DESCRIPTION

FIG. 1 is top, left-side perspective view of the table tennis game table top with bankboards, showing our new design; FIG. 2 is a bottom, left-side perspective view thereof; FIG. 3 is a top, right side perspective view thereof; and, FIG. 4 is a bottom, right side perspective view thereof.

1 Claim, 2 Drawing Sheets



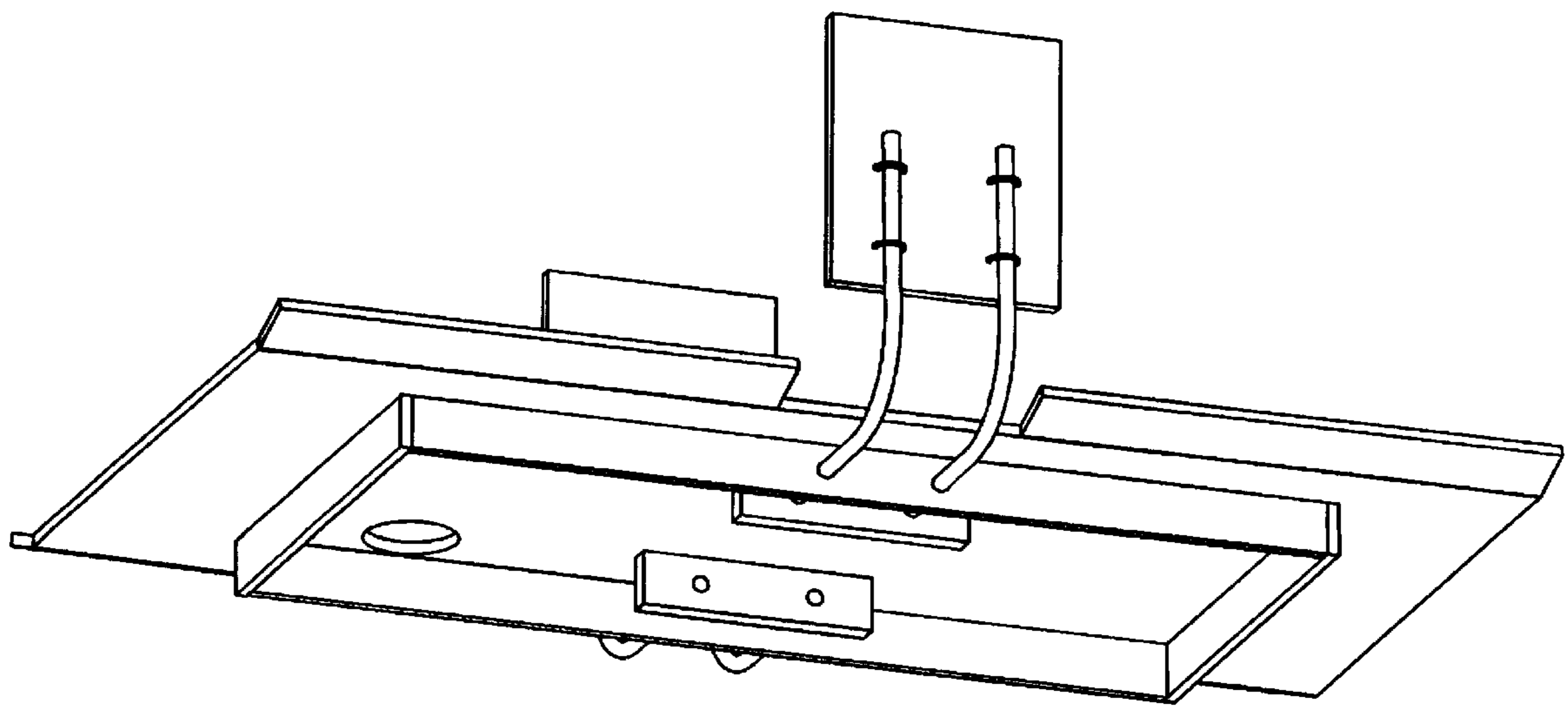
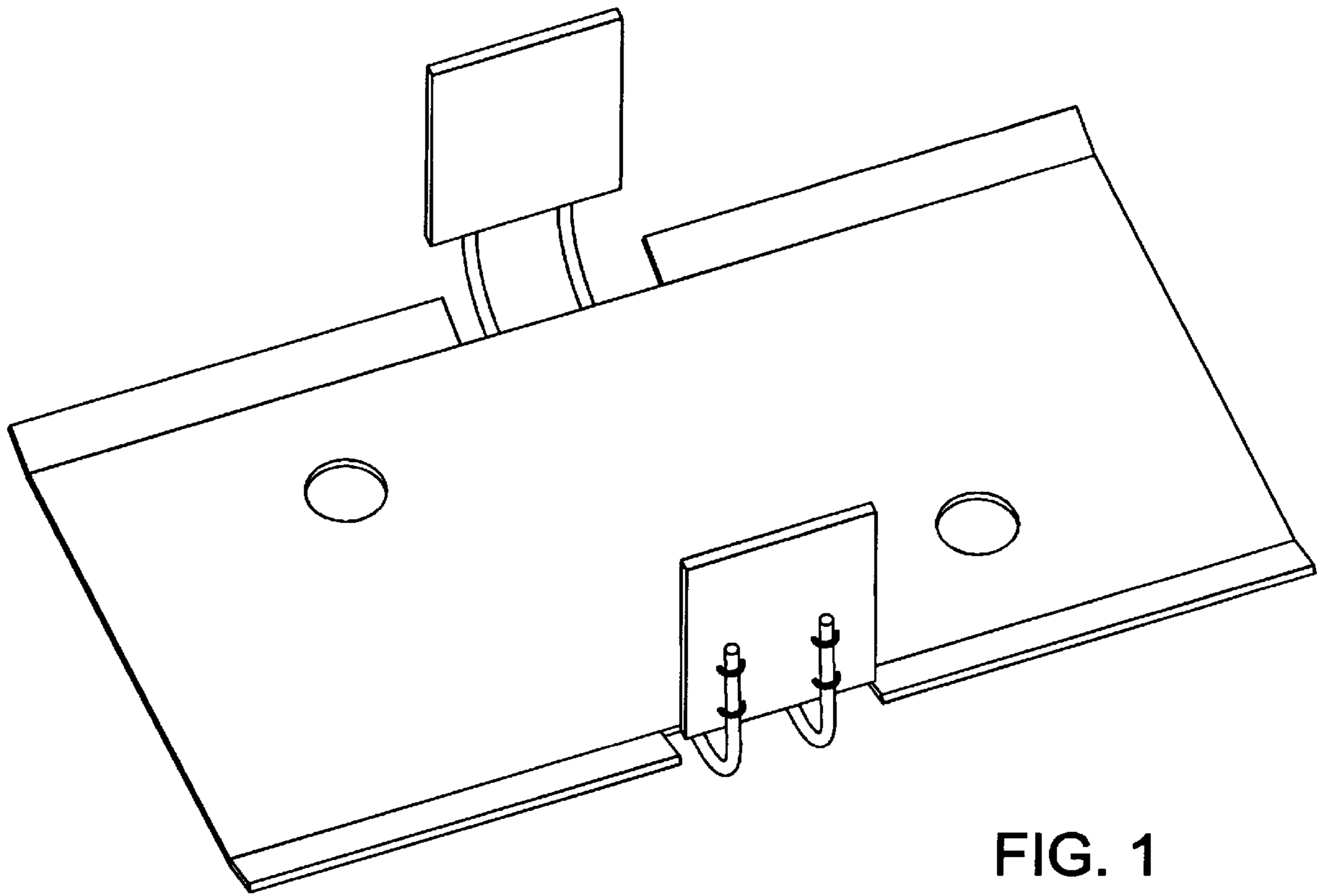


FIG. 4

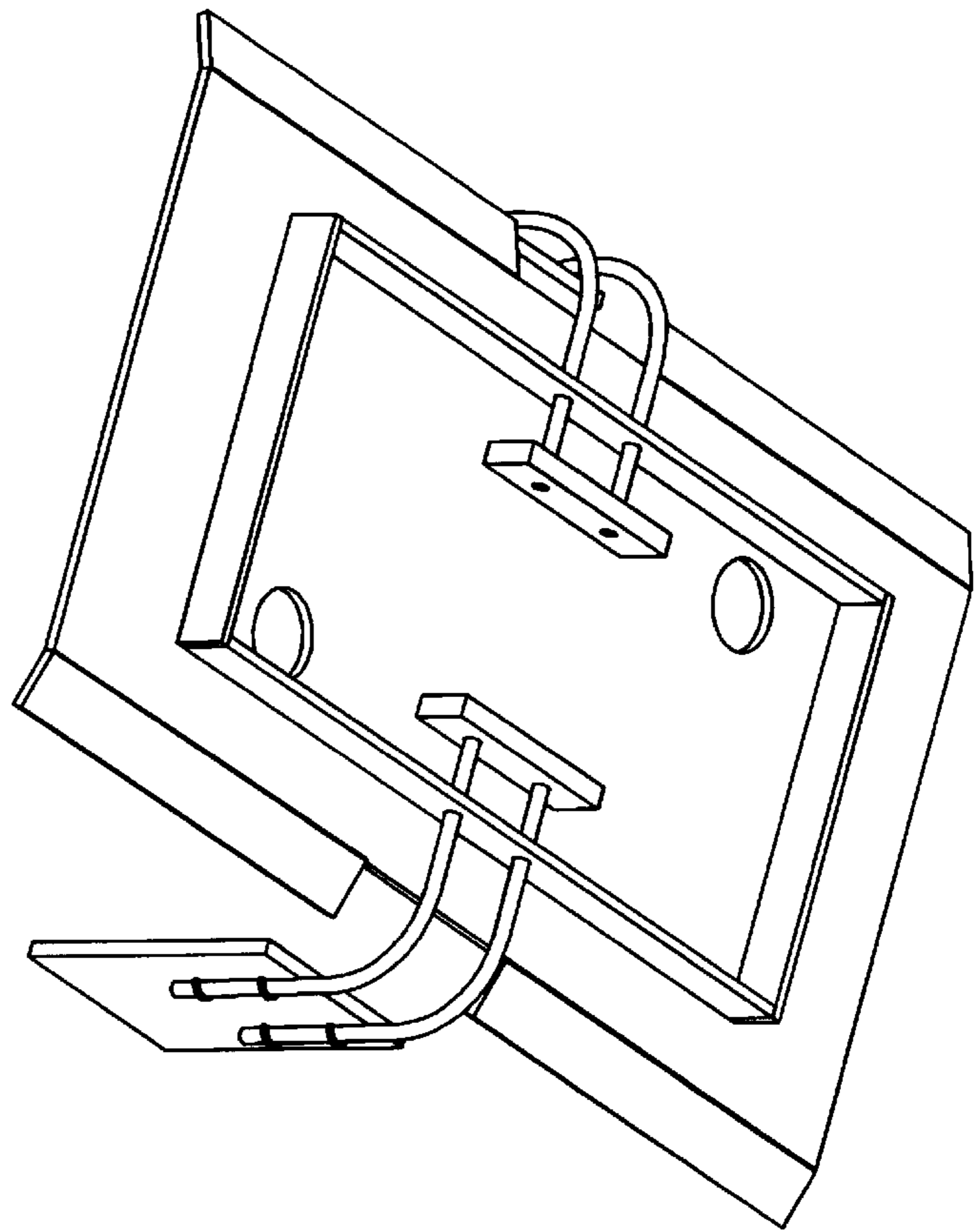


FIG. 3

