



US00D409696S

United States Patent [19]
Sandoval

[11] **Patent Number: Des. 409,696**

[45] **Date of Patent: ** May 11, 1999**

[54] **REVOLVING WEIGHT LIFT BAR**

4,607,840 8/1986 Harper 482/108
4,768,780 9/1988 Hayes 482/108
5,221,244 6/1993 Doss 482/108

[76] Inventor: **Martin Sandoval**, 22213 Ibex Ave.,
Hawiiian Gardens, Calif. 90715

[**] Term: **14 Years**

Primary Examiner—Philip S. Hyder
Attorney, Agent, or Firm—Marcia Devon

[21] Appl. No.: **29/086,318**

[57] **CLAIM**

[22] Filed: **Apr. 9, 1998**

The ornamental design for a revolving weight lift bar, as shown and described.

[51] **LOC (6) Cl.** **21-02**

DESCRIPTION

[52] **U.S. Cl.** **D21/681**

[58] **Field of Search** D21/662, 679,
D21/680, 681, 682; 482/105, 106, 107,
108

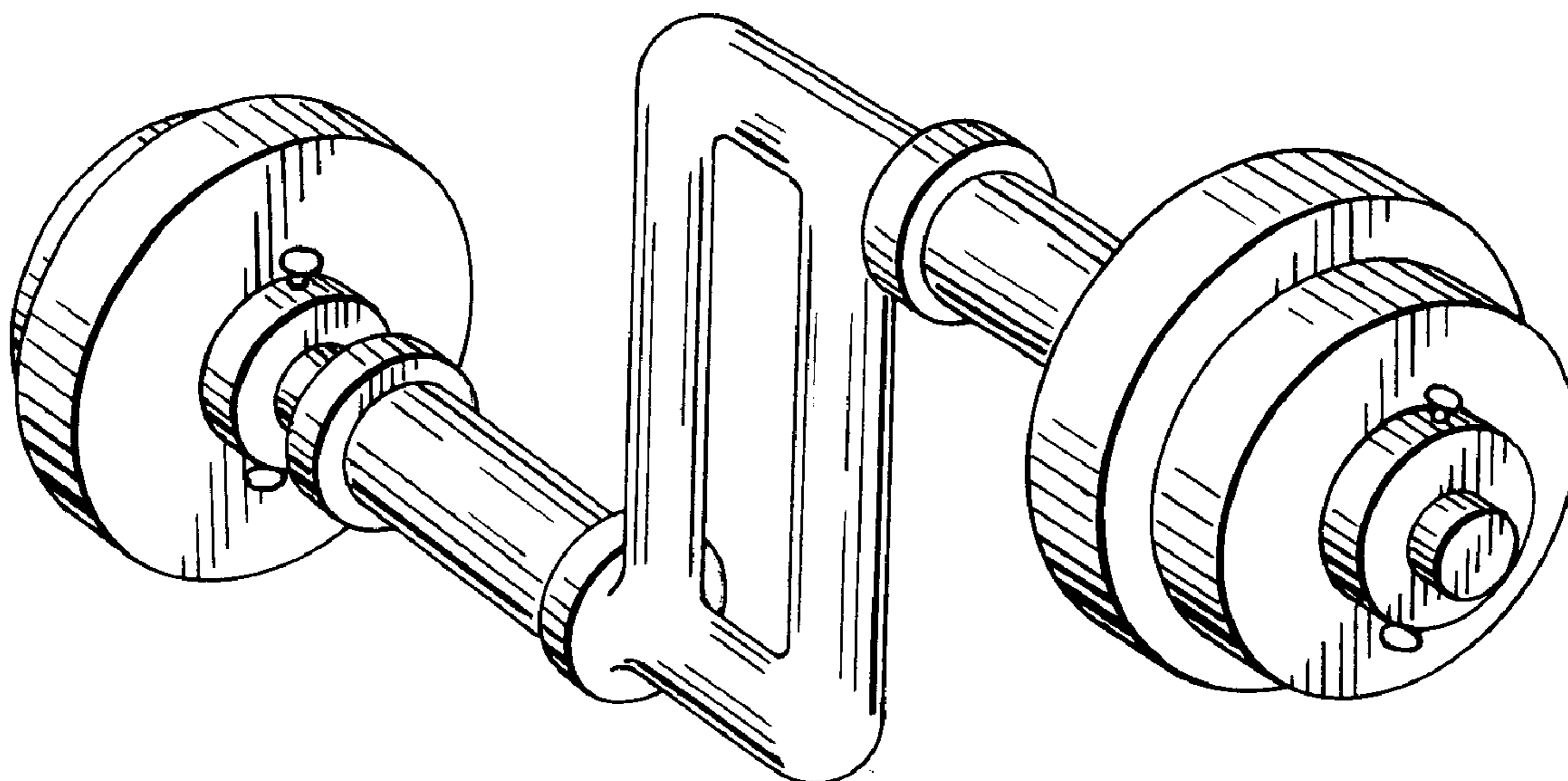
Fig. 1 is a perspective view of the invention;
FIG. 2 is an end view thereof, wherein the opposite end is an inverted mirror image thereof;
FIG. 3 is a side elevational view thereof, wherein the opposite side is a mirror image thereof; and,
FIG. 4 is a top plan view thereof, wherein the bottom plan view is identical.

[56] **References Cited**

U.S. PATENT DOCUMENTS

D. 287,526 12/1986 Brockett et al. D21/681
4,605,222 8/1986 Shannon 482/108

1 Claim, 1 Drawing Sheet



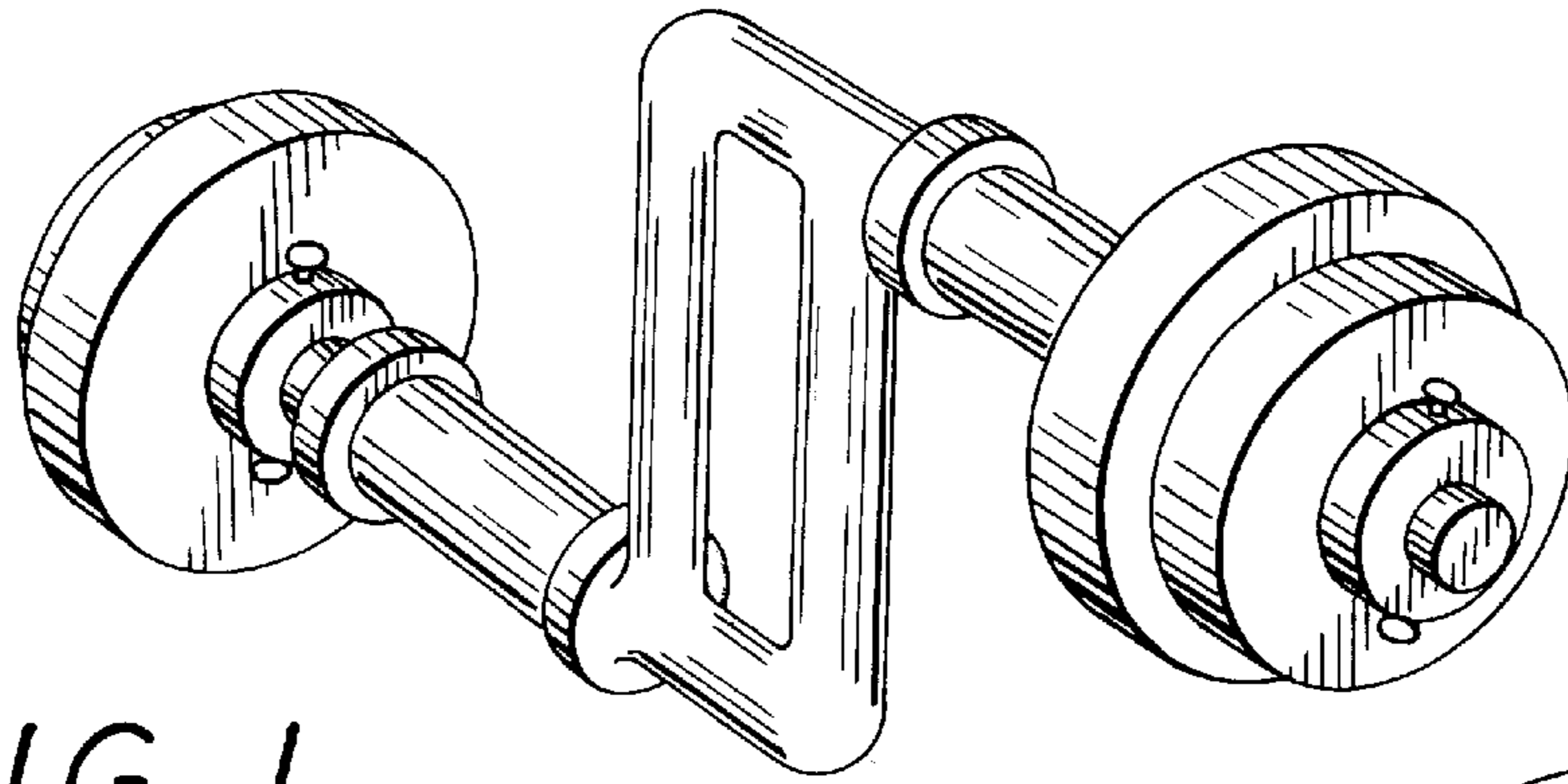


FIG. 1

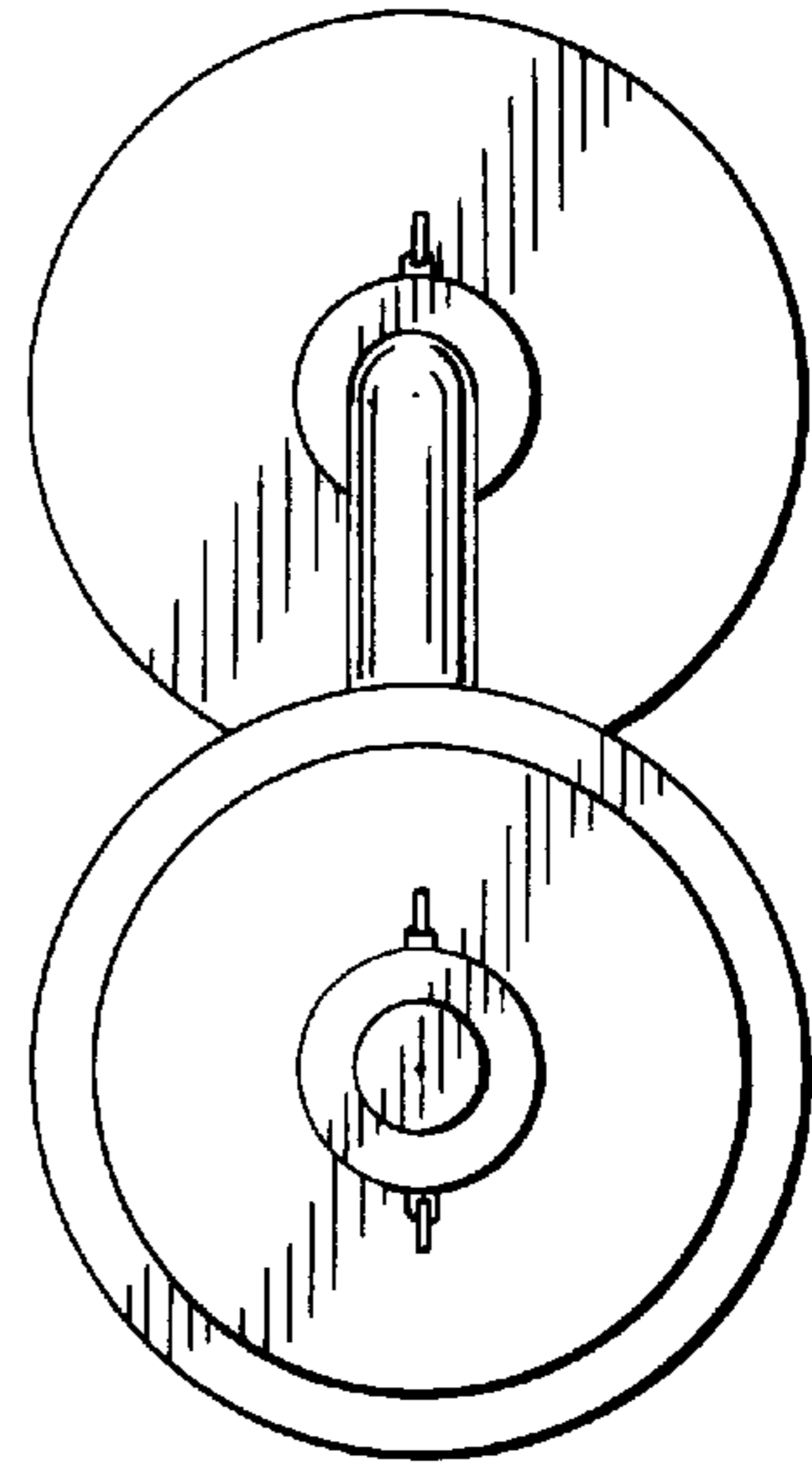


FIG. 2

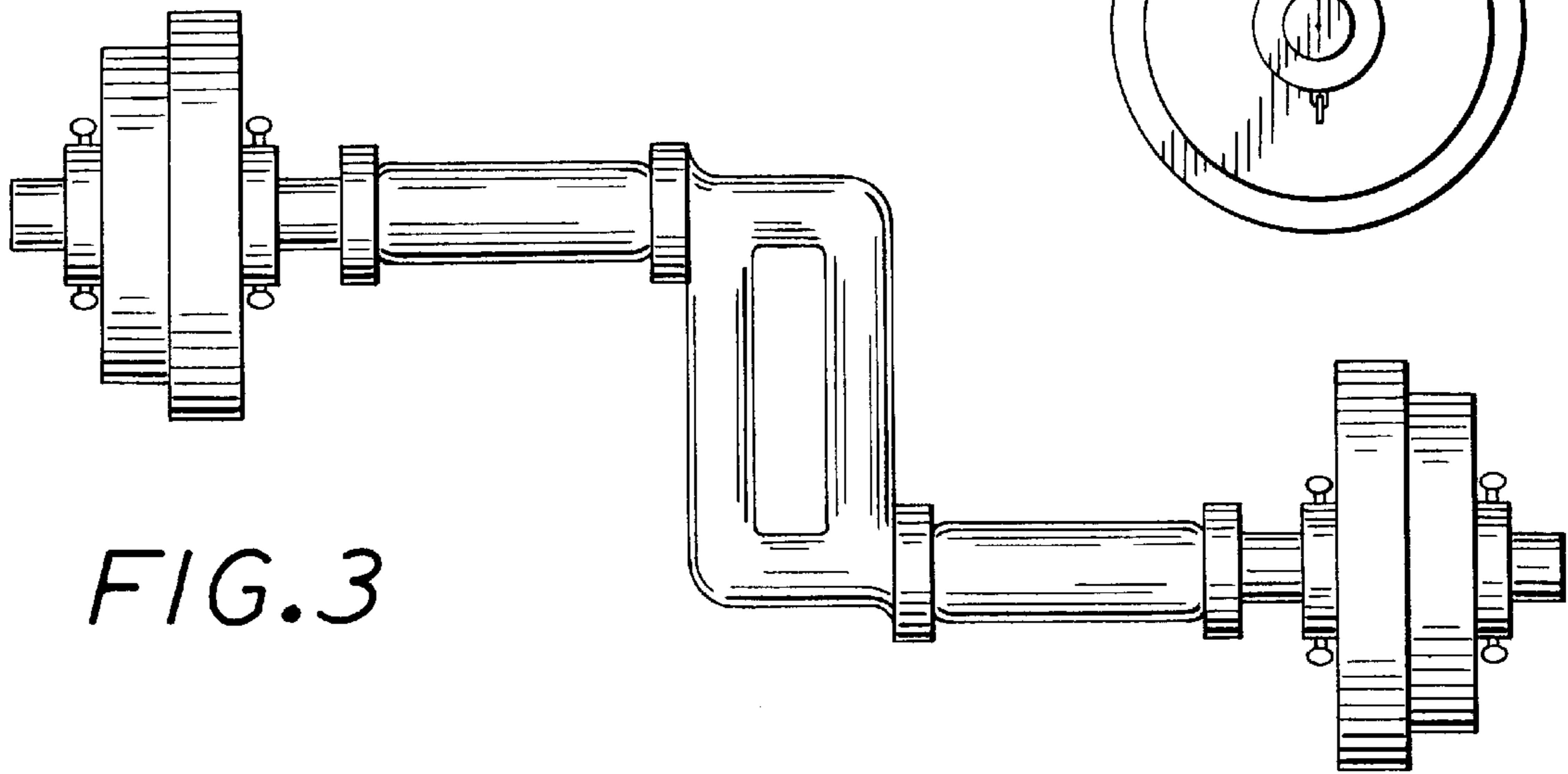


FIG. 3

FIG. 4

