



US00D409694S

United States Patent [19]
Kuo et al.

[11] **Patent Number: Des. 409,694**

[45] **Date of Patent: ** May 11, 1999**

[54] **MULTI-PURPOSE EXERCISE DEVICE**

[76] Inventors: **Johnson Kuo**, 11FL-1, No. 342,
Keelung Rd., Sec. 1, Taipei, Taiwan;
Lenny Sands, 3858 Hayvenhurst Dr.,
Encino, Calif. 91436

[**] Term: **14 Years**

[21] Appl. No.: **29/085,161**

[22] Filed: **Mar. 18, 1998**

[51] **LOC (6) Cl.** **21-02**

[52] **U.S. Cl.** **D21/675; D21/676**

[58] **Field of Search** D21/673, 675,
D21/676; 482/92, 93, 94, 95, 96, 97, 104,
135, 136, 137

[56] **References Cited**

U.S. PATENT DOCUMENTS

- D. 320,245 9/1991 Fitzpatrick D21/676
- D. 321,391 11/1991 Jones D21/676
- D. 326,696 6/1992 Bogaczyk et al. D21/676

- D. 360,246 7/1995 Yeh D21/675
- D. 361,808 8/1995 Yeh D21/676
- D. 387,108 12/1997 Lee D21/665
- 5,722,918 3/1998 Lee 482/51

Primary Examiner—Philip S. Hyder
Attorney, Agent, or Firm—Browdy and Neimark

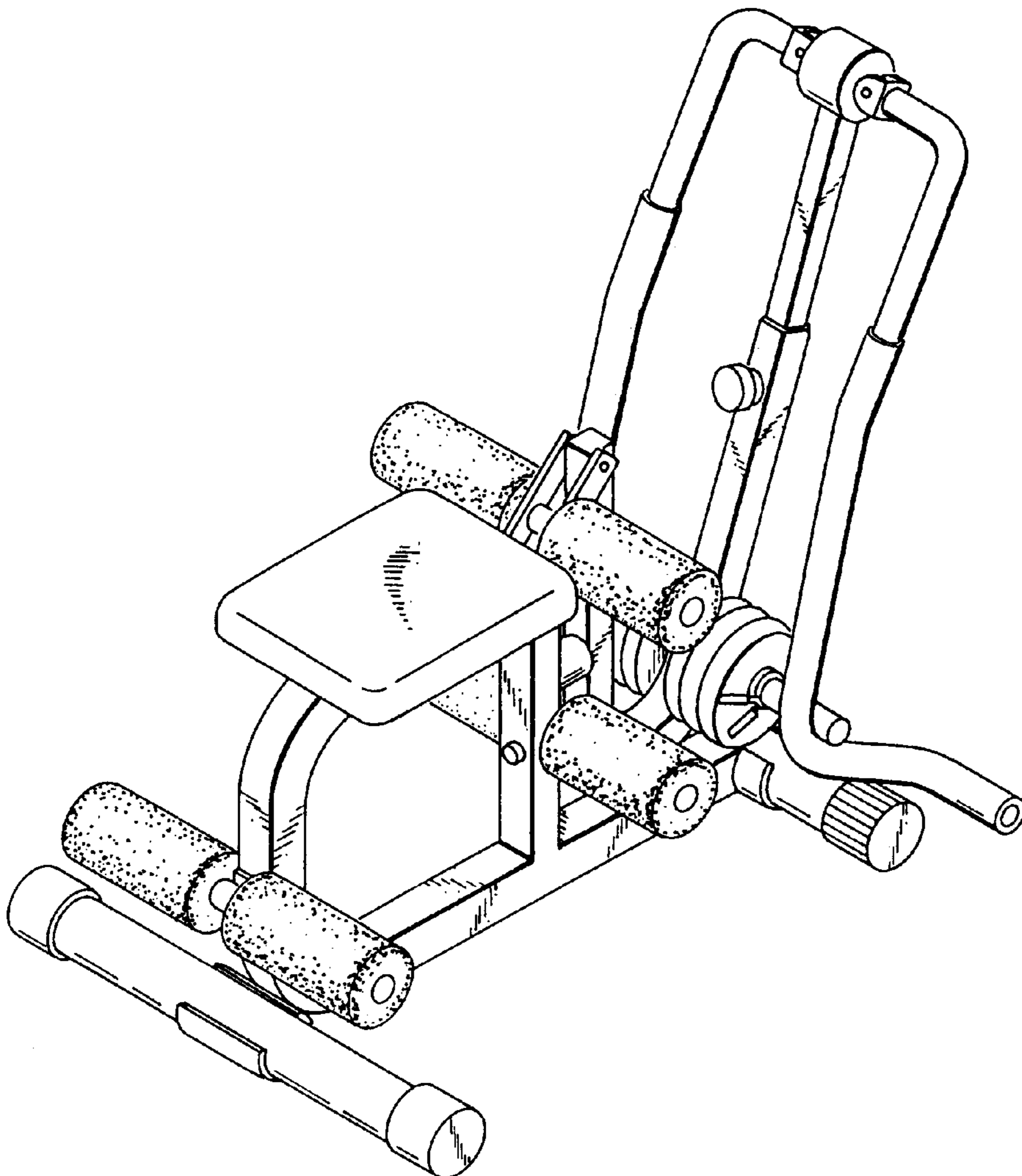
[57] **CLAIM**

The ornamental design for a multi-purpose exercise device,
as shown and described.

DESCRIPTION

FIG. 1 shows a perspective view of the present design.
FIG. 2 shows a front elevational view of the present design.
FIG. 3 shows a rear elevational view of the present design.
FIG. 4 shows a left side elevational view of the present design.
FIG. 5 shows a right side elevational view of the present design.
FIG. 6 shows a top plan view of the present design; and,
FIG. 7 shows a bottom plan view of the present design.

1 Claim, 3 Drawing Sheets



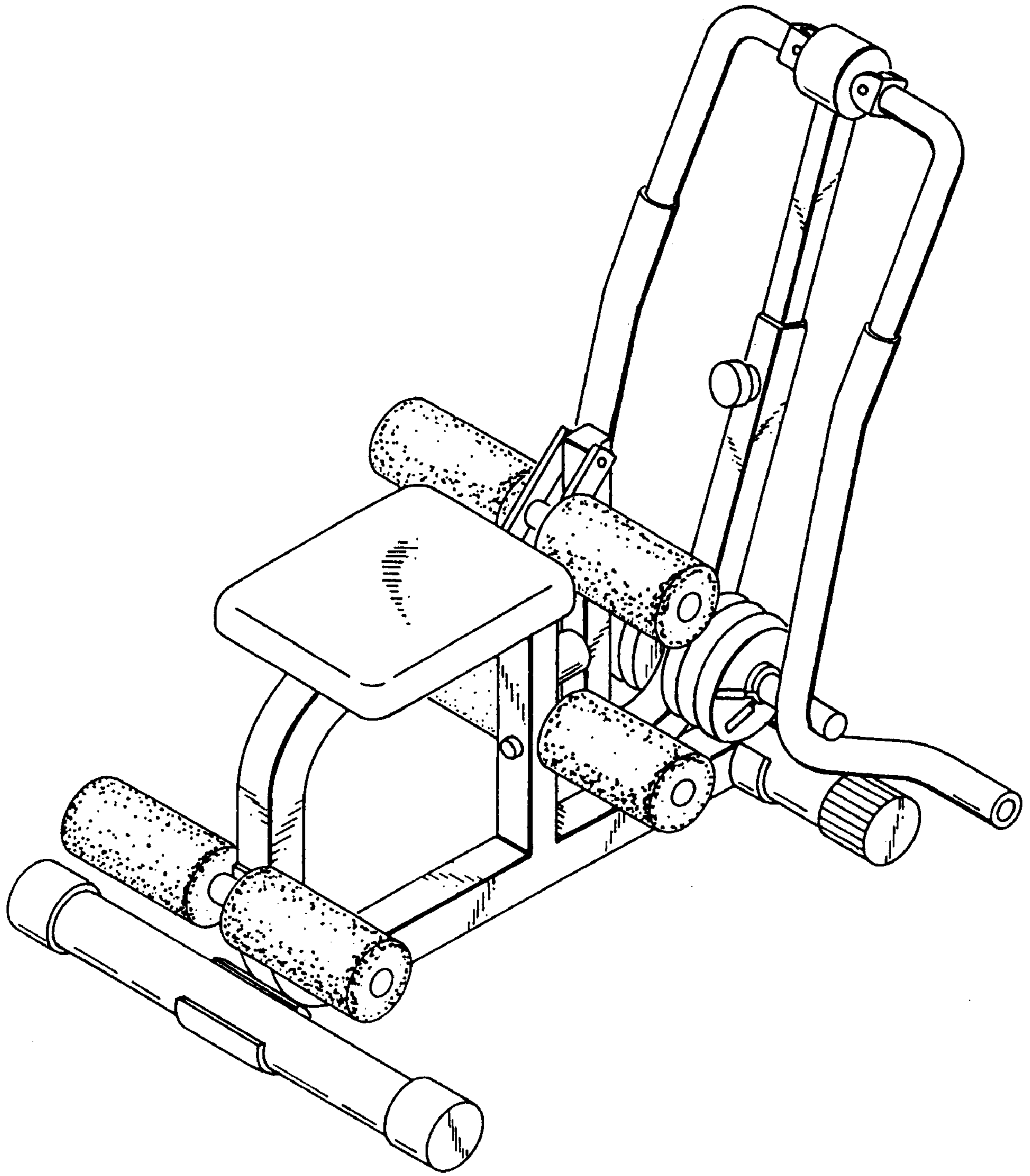


FIG. 1

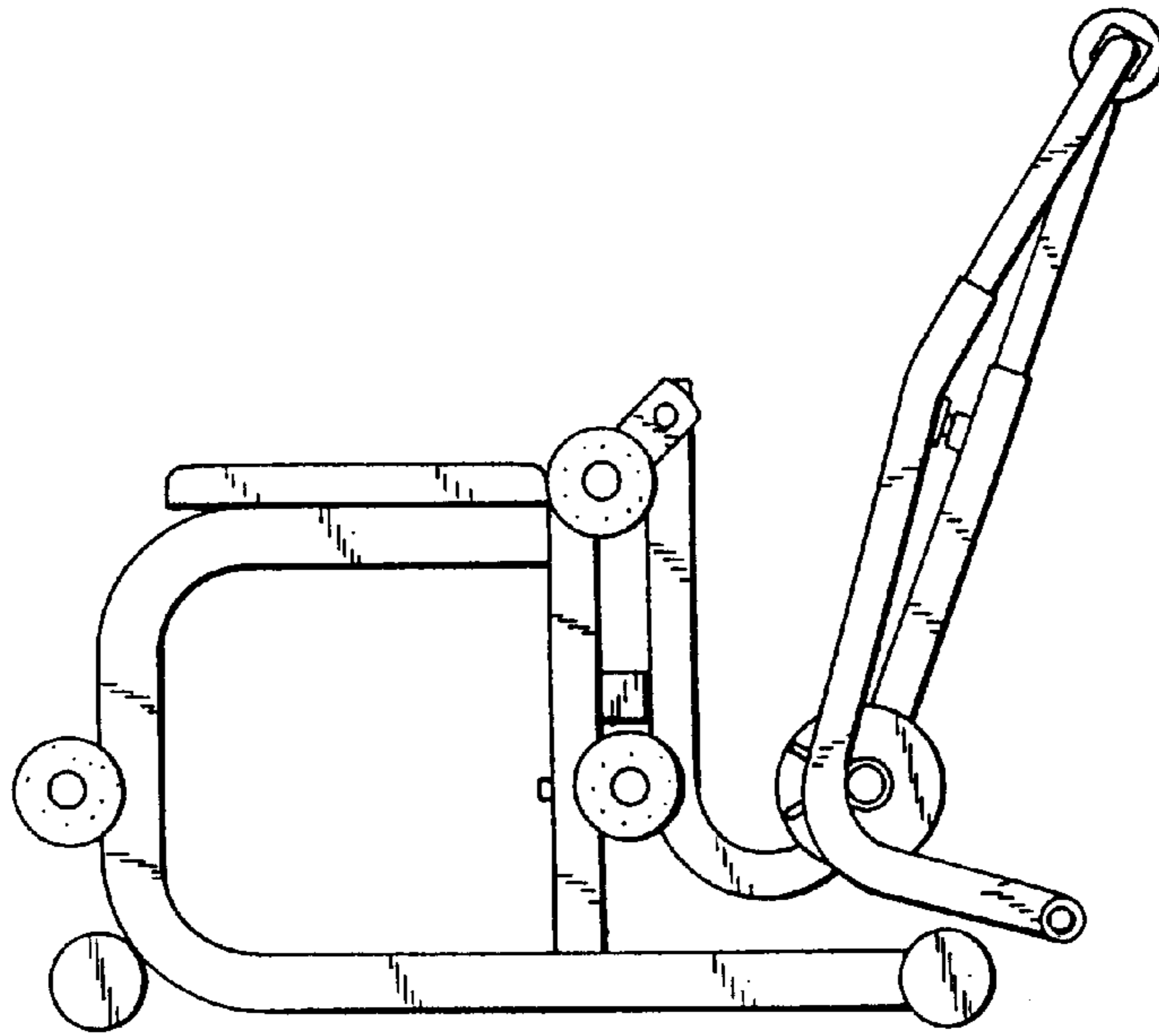


FIG. 2

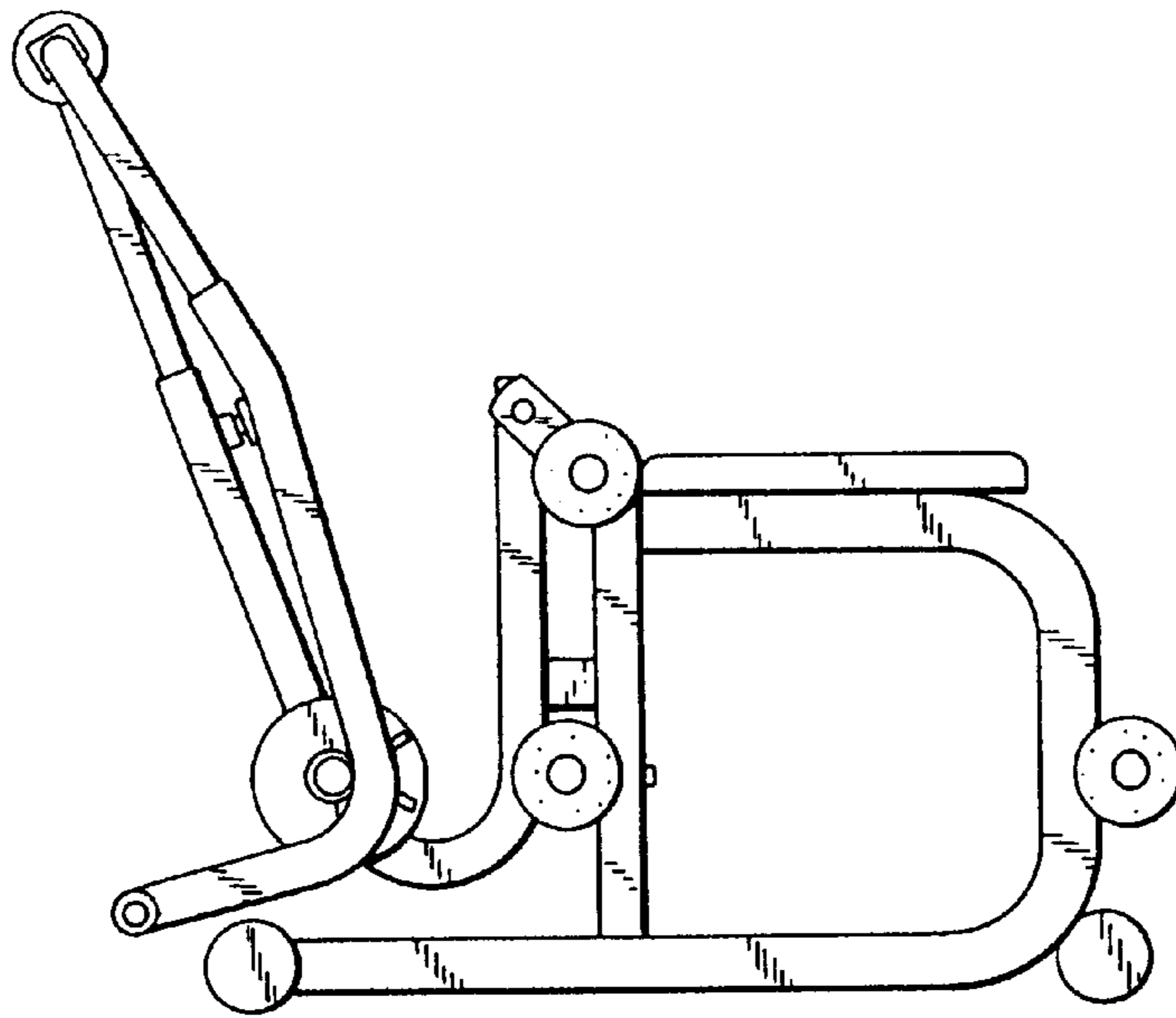


FIG. 3

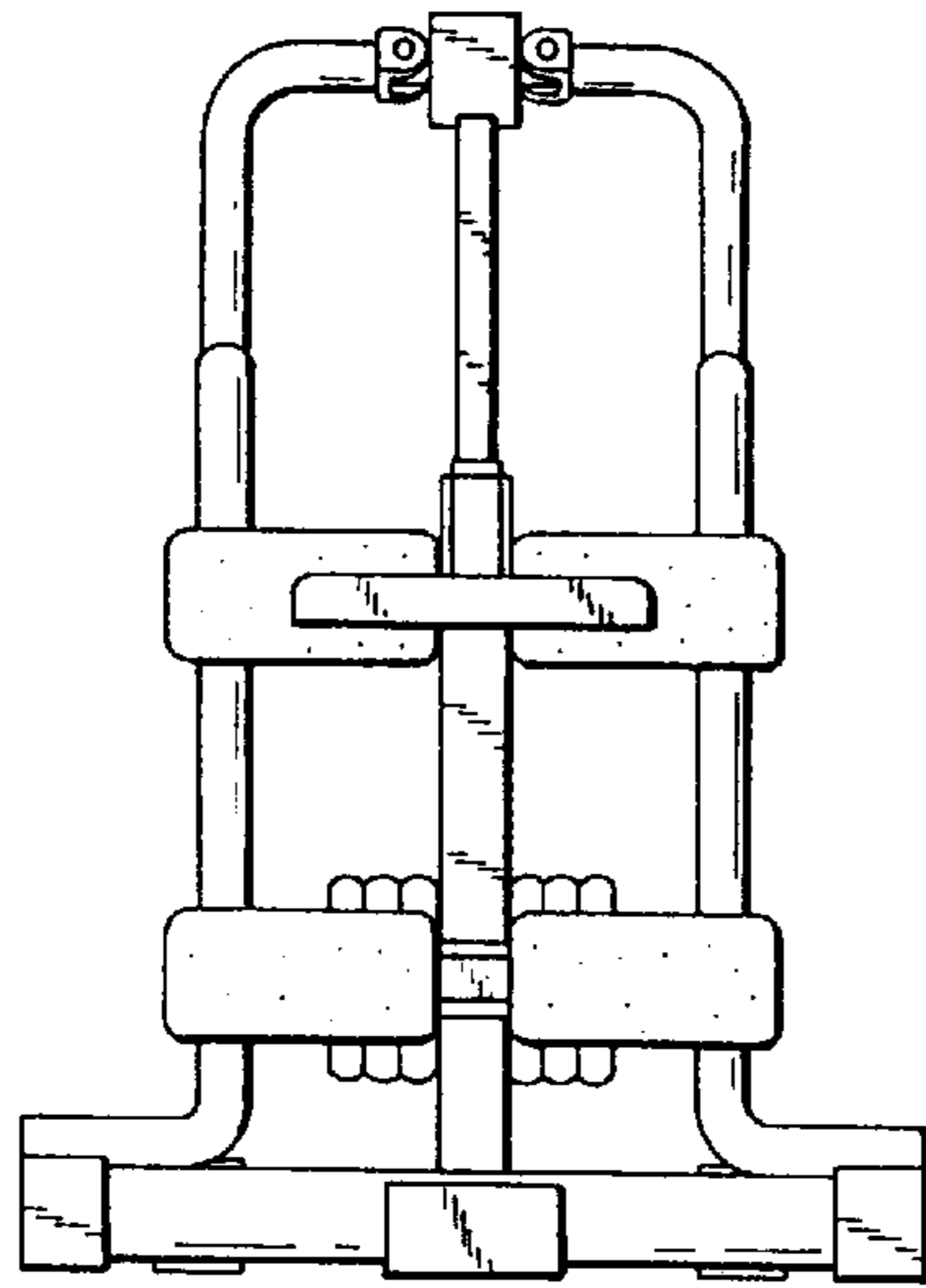


FIG. 4

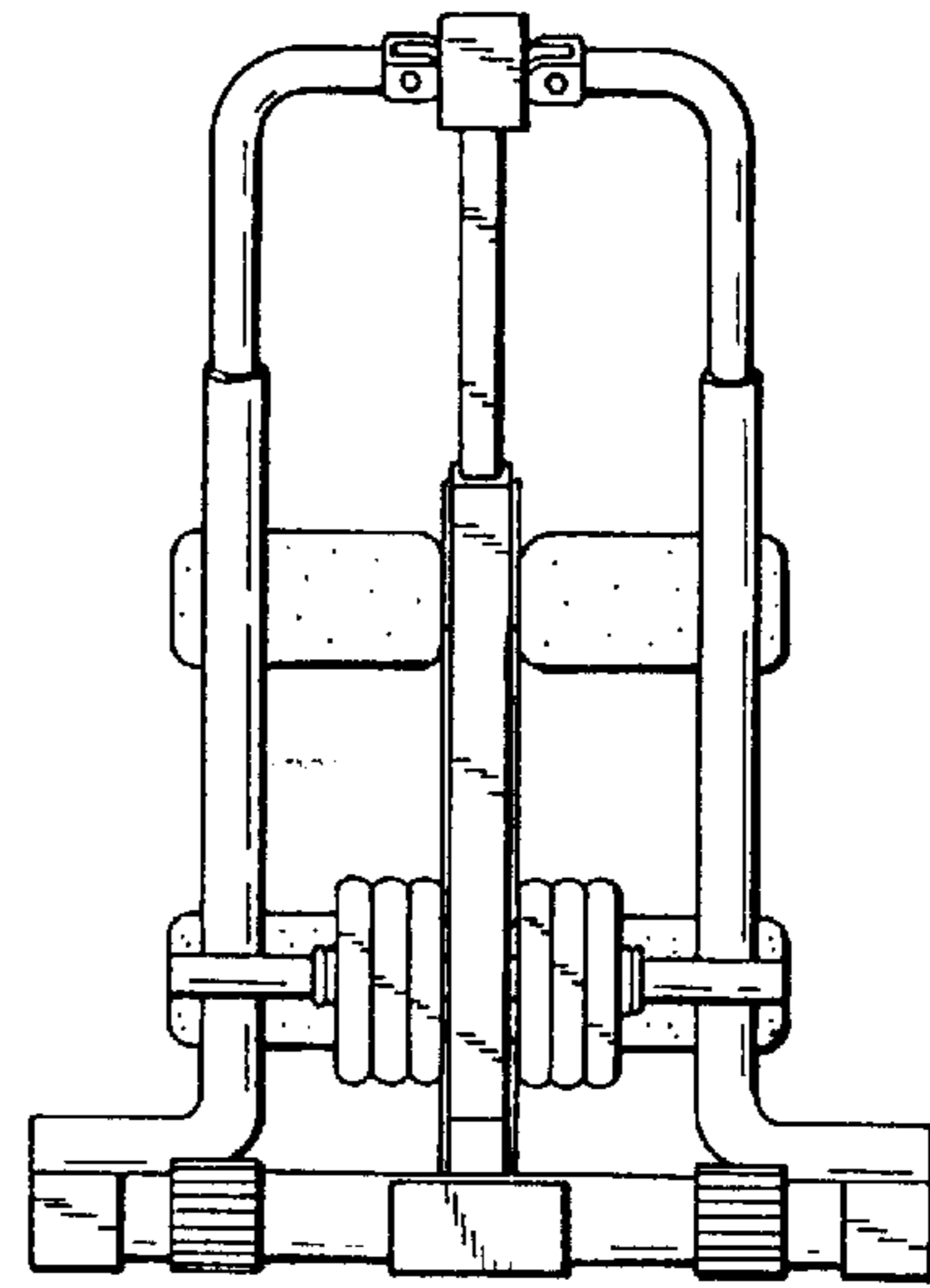


FIG. 5

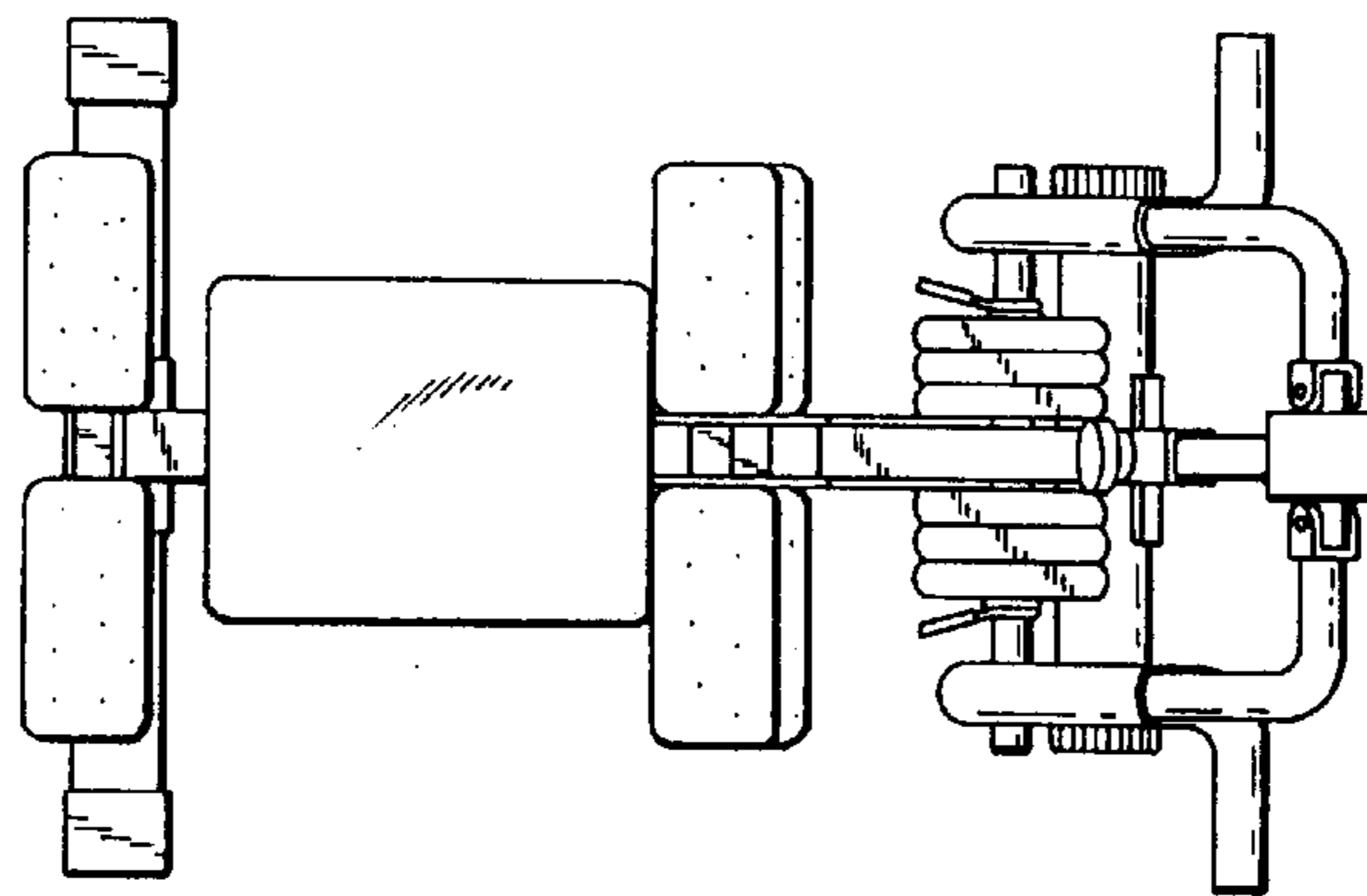


FIG. 6

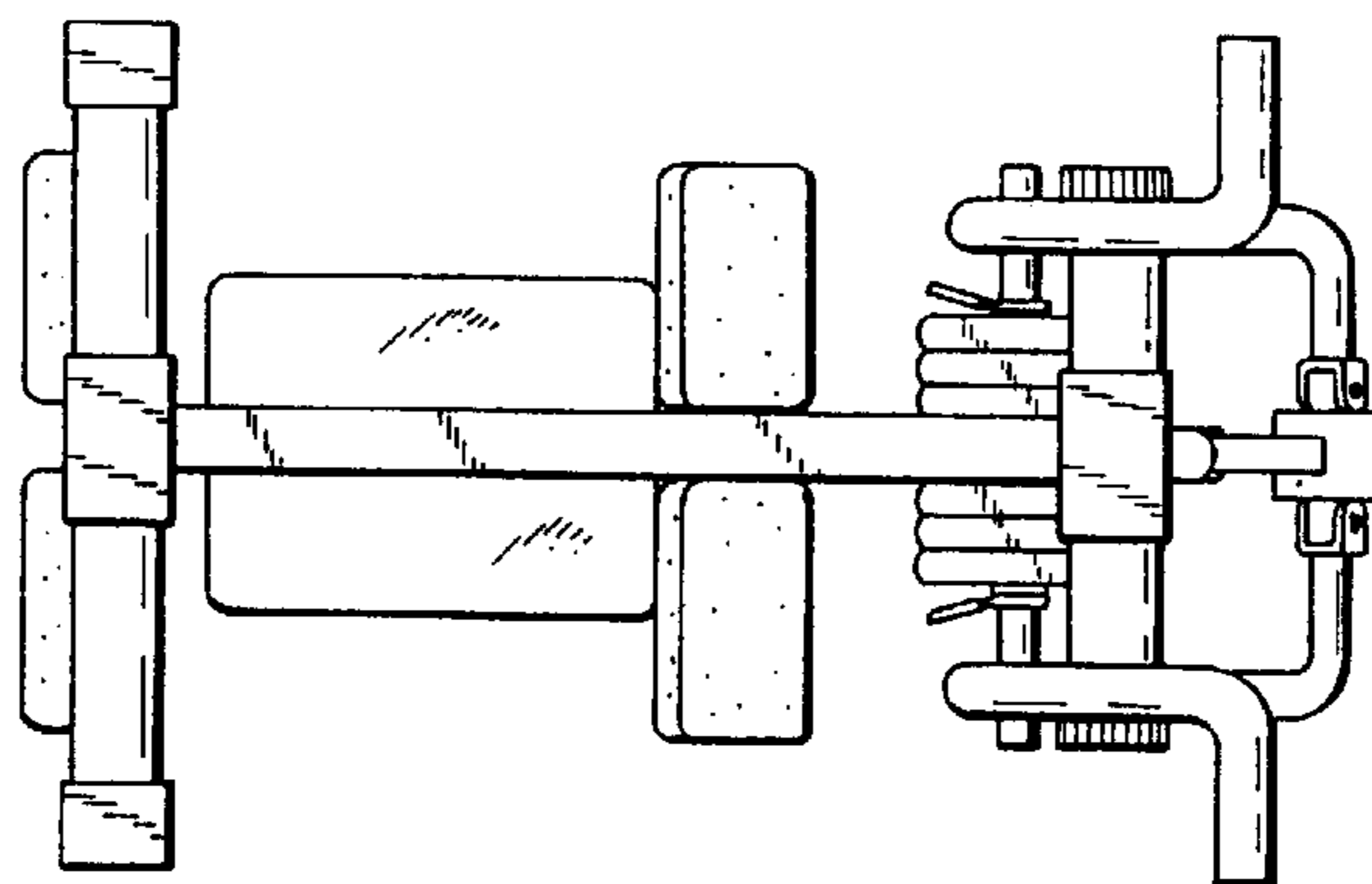


FIG. 7