



US00D409690S

United States Patent [19] Nielsen

[11] **Patent Number: Des. 409,690**

[45] **Date of Patent: ** May 11, 1999**

[54] **RAIL ELEMENT FOR A TOY TRAIN**
[75] Inventor: **Per Steen Nielsen**, Hvidovre, Denmark
[73] Assignee: **INTERLEGO AG**, Baar, Switzerland
[**] Term: **14 Years**

3,597,876 8/1971 Haji 446/444
5,078,354 1/1992 Kim 446/123
5,564,962 10/1996 Nayarrete Espinosa 446/128
5,830,032 11/1998 Campbell 446/128

[21] Appl. No.: **29/095,025**
[22] Filed: **Oct. 14, 1998**

Primary Examiner—Raphael Barkai
Attorney, Agent, or Firm—Kane, Dalsimer, Sullivan,
Kurucz, Levy, Eisele and Richard, LLP

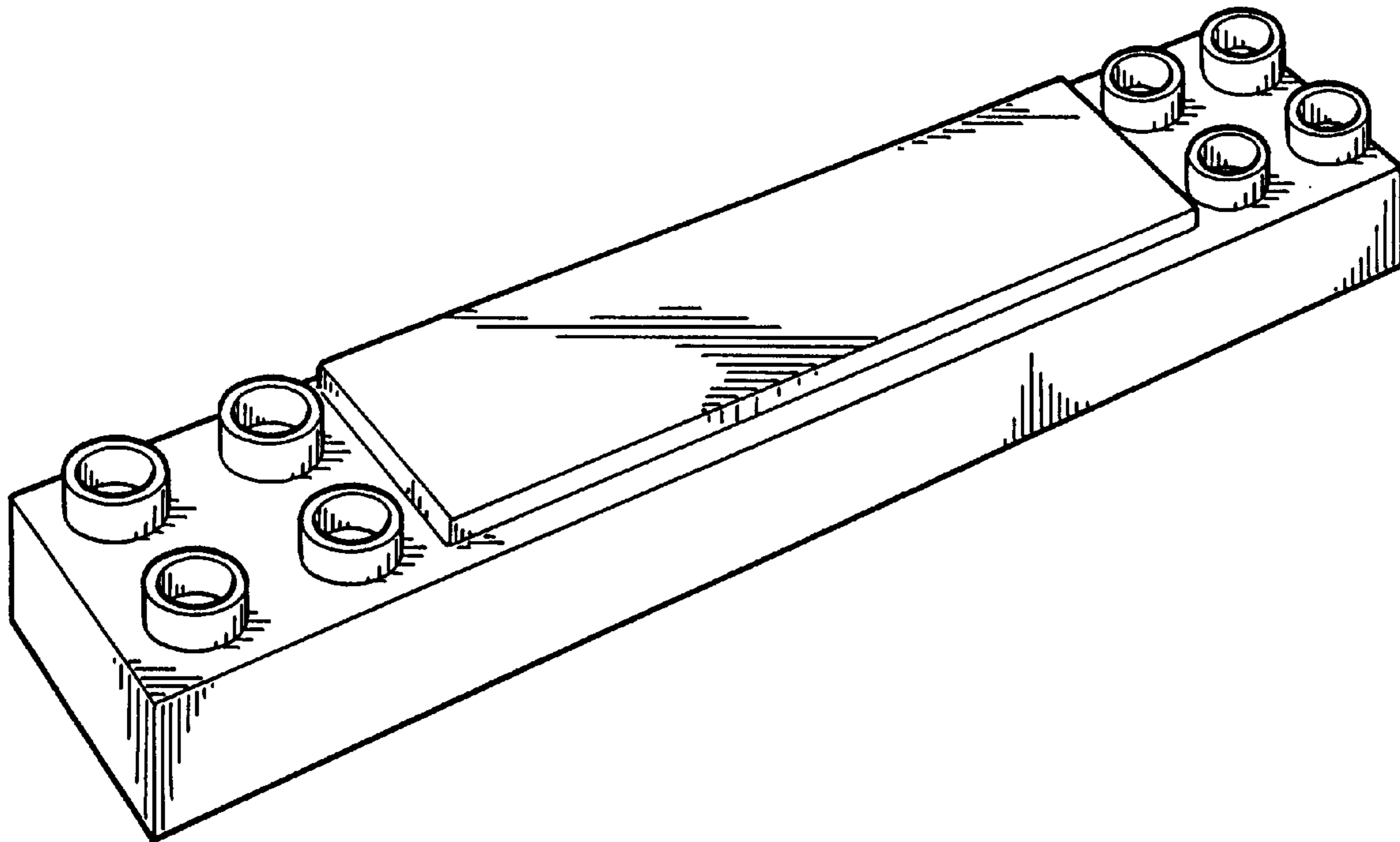
[51] **LOC (6) Cl.** **21-01**
[52] **U.S. Cl.** **D21/564; D21/493**
[58] **Field of Search** D21/484–505,
D21/564; 238/10 E; 446/85, 88, 96, 102,
104, 120–125, 128, 444, 445, 467, 476

[57] **CLAIM**
The ornamental design for a rail element for a toy train, as shown and described.

[56] **References Cited**
U.S. PATENT DOCUMENTS
D. 195,679 7/1963 Genin D21/565
D. 344,310 2/1994 Ruskai D21/565
D. 344,992 3/1994 Ruskai D21/565
D. 374,258 10/1996 Schmidt et al. D21/486
1,422,146 7/1922 Tackenberg 446/128
3,562,950 2/1971 Genin 446/444

DESCRIPTION
FIG. 1 is a top perspective view of the rail element for a toy train,
FIG. 2 is top plan view thereof,
FIG. 3 is a front elevational view thereof,
FIG. 4 is a bottom plan view thereof,
FIG. 5 is a right side elevational view thereof,
FIG. 6 is a left side elevational view thereof,
FIG. 7 is a rear elevational view thereof; and,
FIG. 8 is a bottom perspective view thereof.

1 Claim, 2 Drawing Sheets



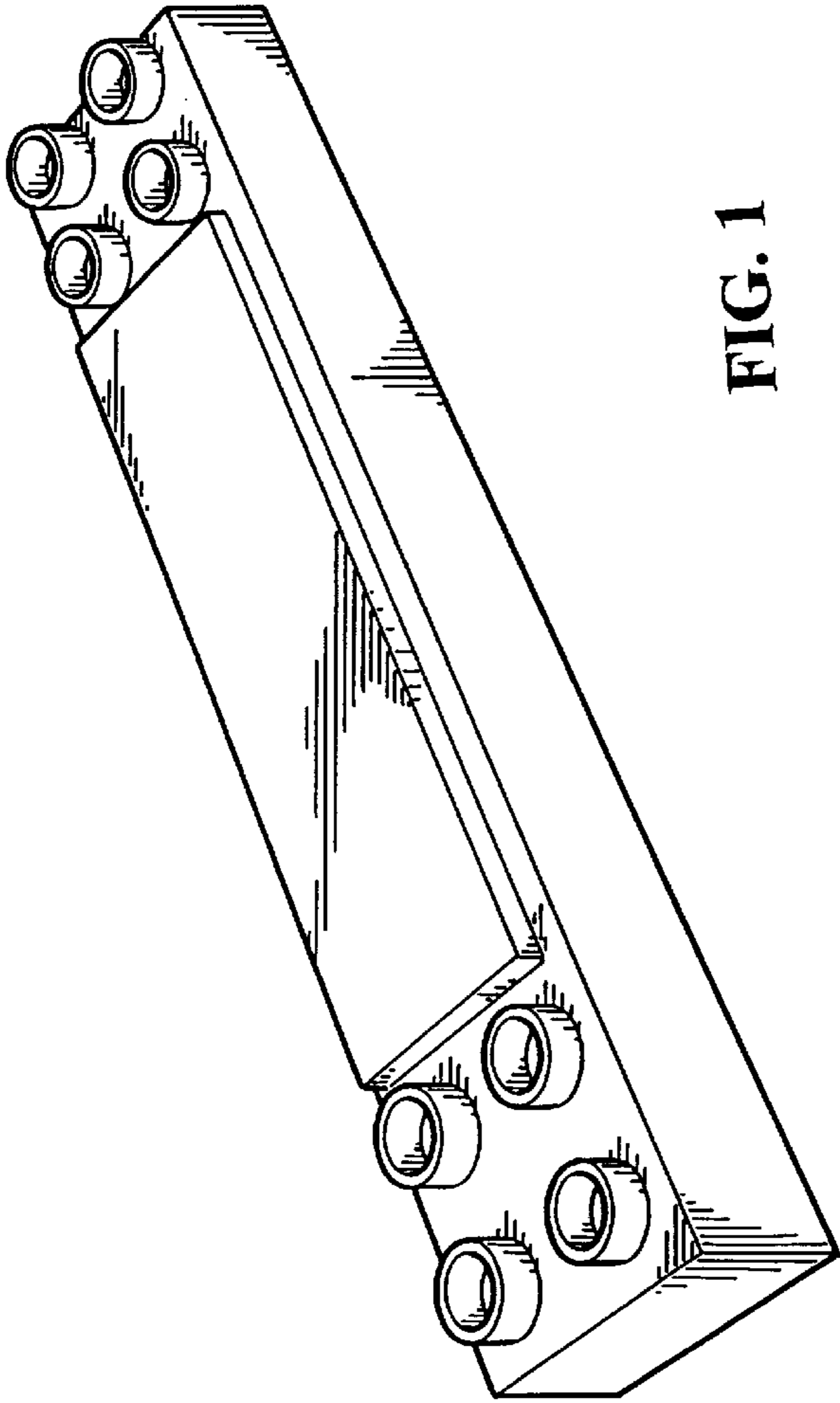


FIG. 1

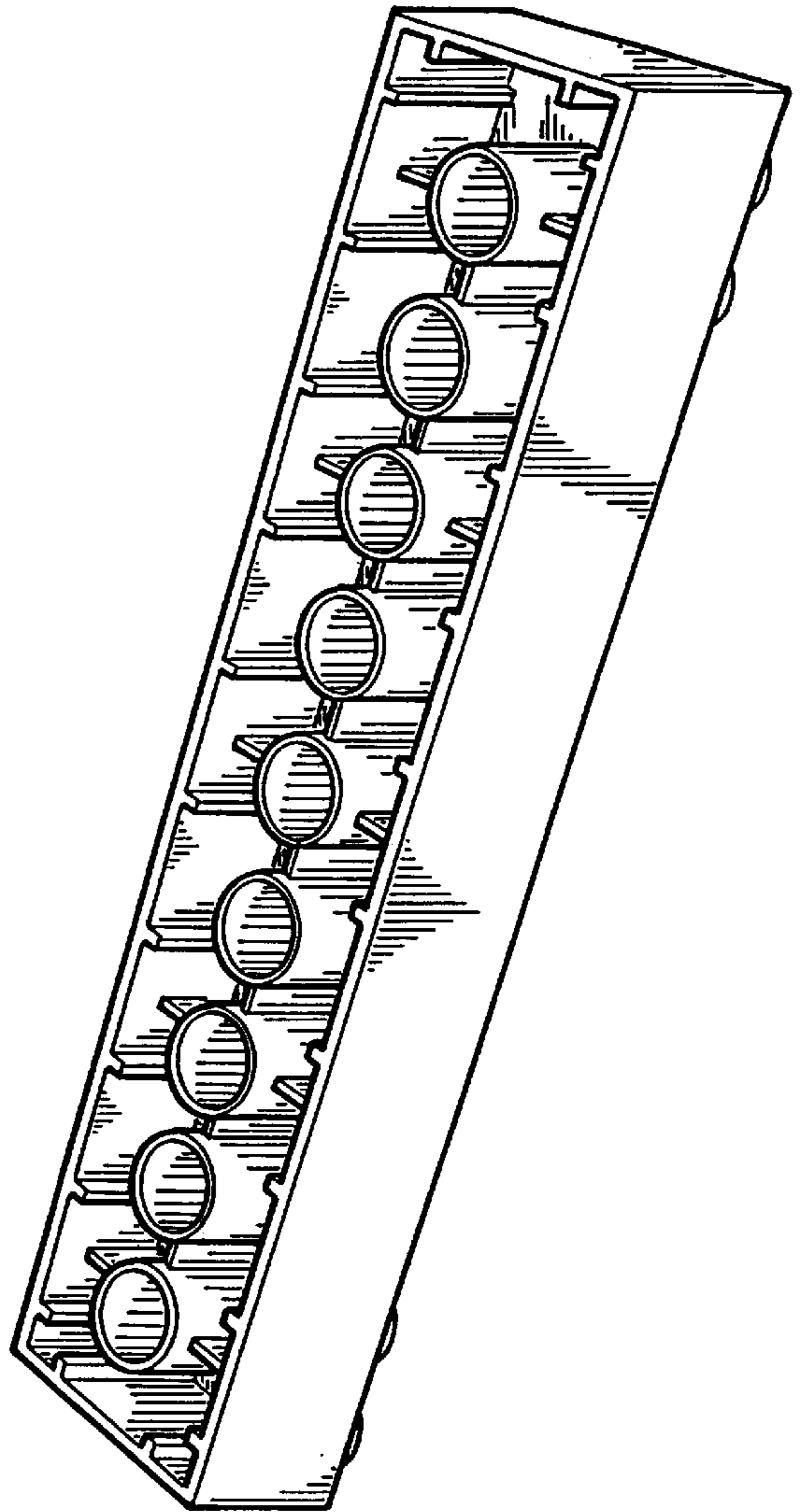


FIG. 8

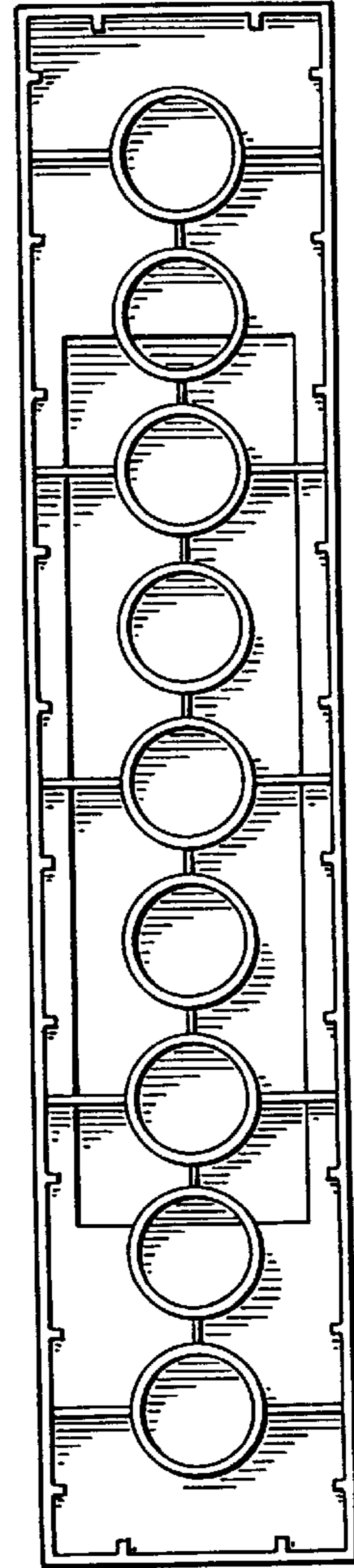
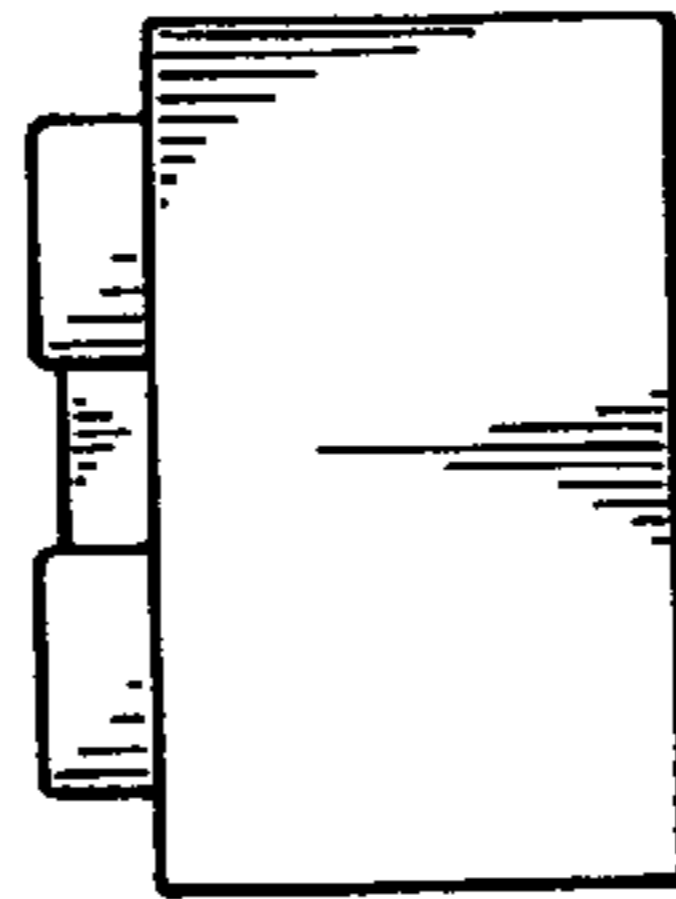
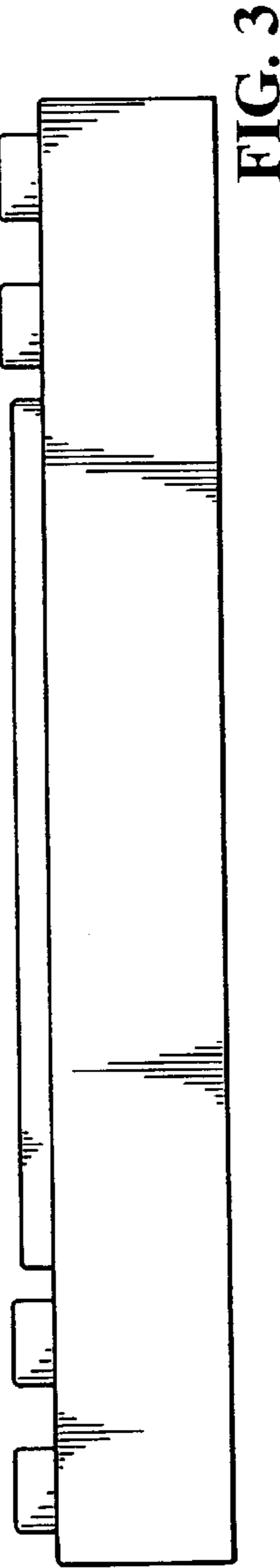
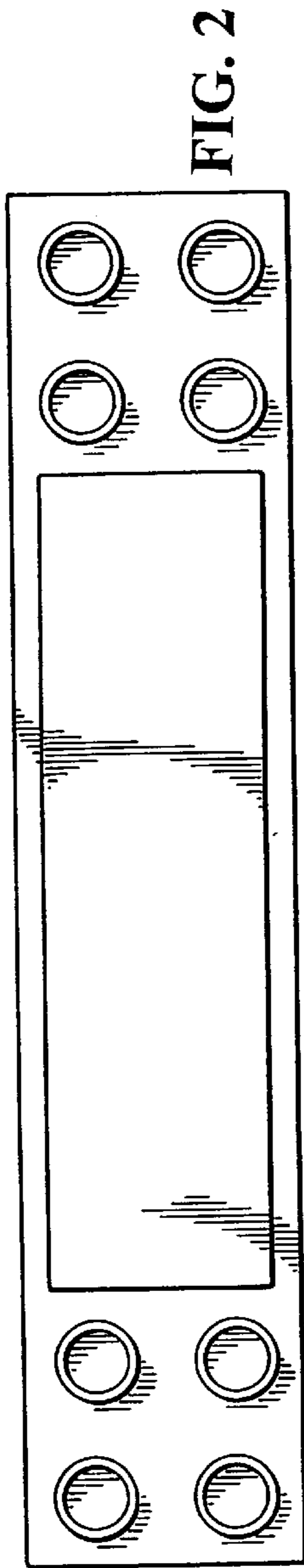
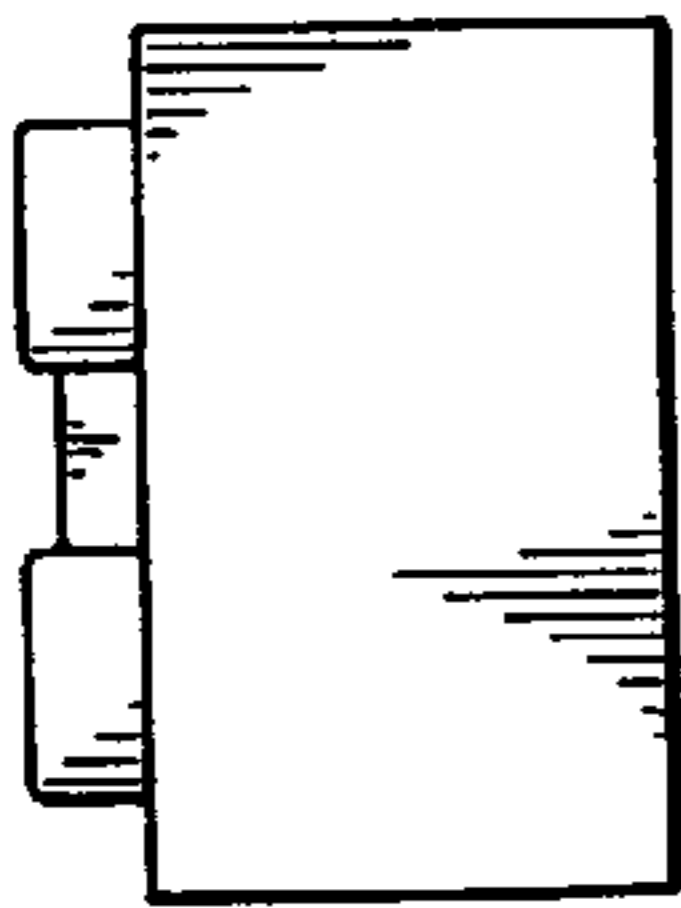
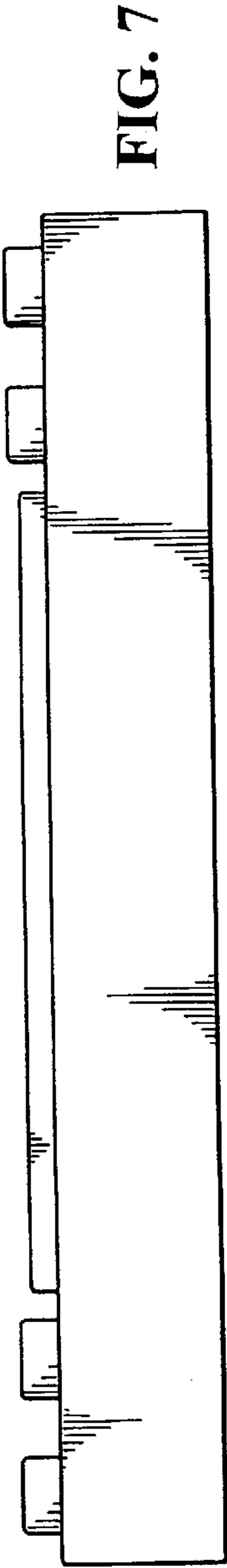


FIG. 6

FIG. 5