



US00D409688S

United States Patent [19]

Lee

[11] **Patent Number: Des. 409,688**

[45] **Date of Patent: ** May 11, 1999**

[54] **TOY TELEPHONE**

[75] Inventor: **Shin-Hsing Lee**, Shatin, The Hong Kong Special Administrative Region of the People's Republic of China

[73] Assignee: **Meloco Electronic Co. Ltd.**, The Hong Kong Special Administrative Region of the People's Republic of China

[**] Term: **14 Years**

[21] Appl. No.: **29/076,331**

[22] Filed: **Sep. 17, 1997**

[51] **LOC (6) Cl. 21-01**

[52] **U.S. Cl. D21/517**

[58] **Field of Search** D21/466, 475, D21/483, 513, 515, 517, 566; D14/114, 117.1, 117.5, 117.6, 117.9, 137, 138, 143, 147; 446/141-143, 456

[56] **References Cited**

U.S. PATENT DOCUMENTS

D. 268,689 4/1983 Nishi D21/566

D. 317,483 6/1991 Wiggs et al. D21/517
D. 339,128 9/1993 Claxton et al. D14/138
D. 391,567 3/1998 Nagele et al. D14/138
D. 393,638 4/1998 Page et al. D14/137
5,681,200 10/1997 Shecter 446/142

Primary Examiner—Raphael Barkai
Attorney, Agent, or Firm—Burns, Doane, Swecker & Mathis, L.L.P.

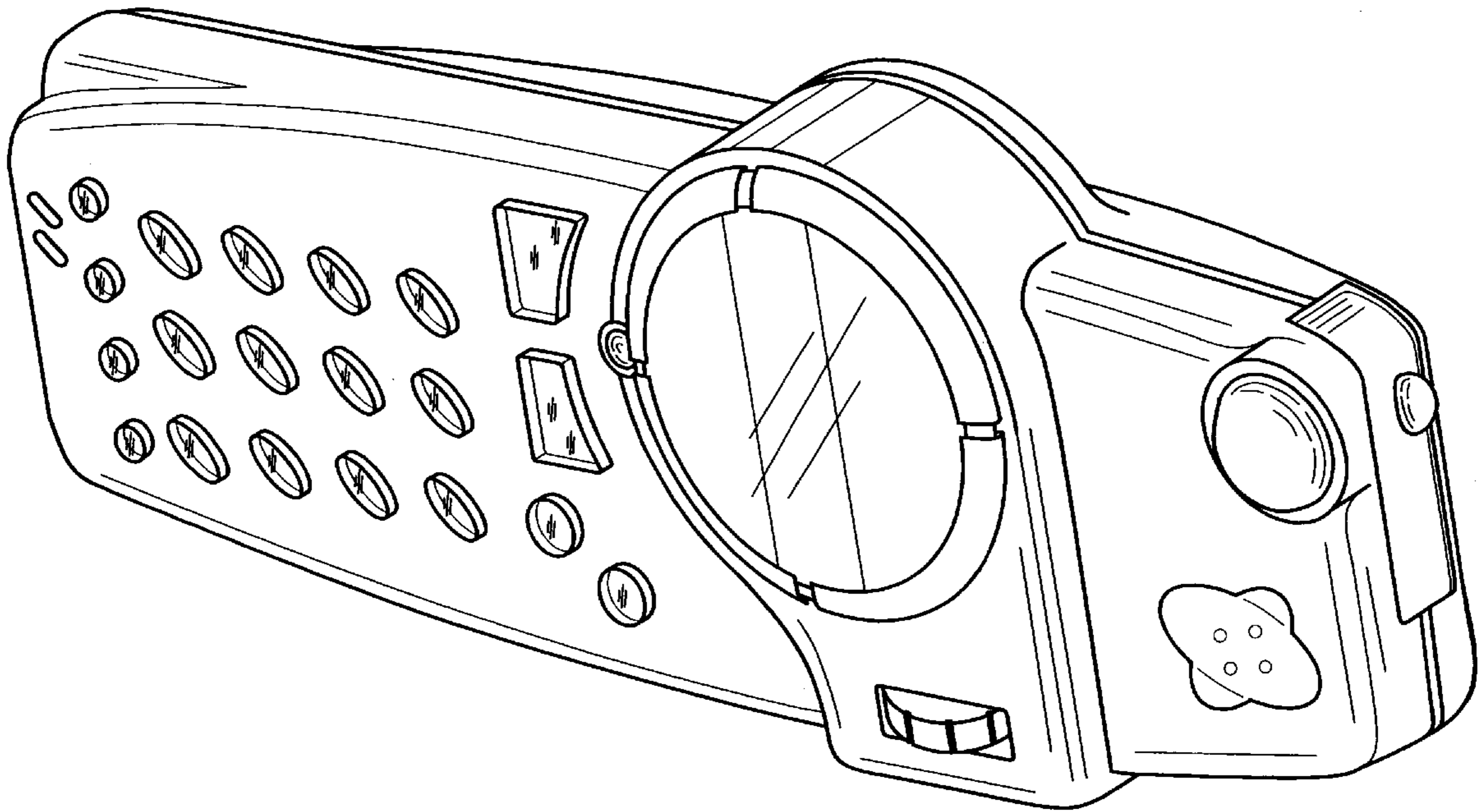
[57] **CLAIM**

The ornamental design for a “toy telephone”, as shown and described.

DESCRIPTION

FIG. 1 is a front view of a toy telephone showing my design; FIG. 2 is a rear view thereof; FIG. 3 is a left side view thereof; FIG. 4 is a right side view thereof; FIG. 5 is a top plan view thereof; FIG. 6 is a bottom view thereof; and, FIG. 7 is a perspective view thereof.

1 Claim, 6 Drawing Sheets



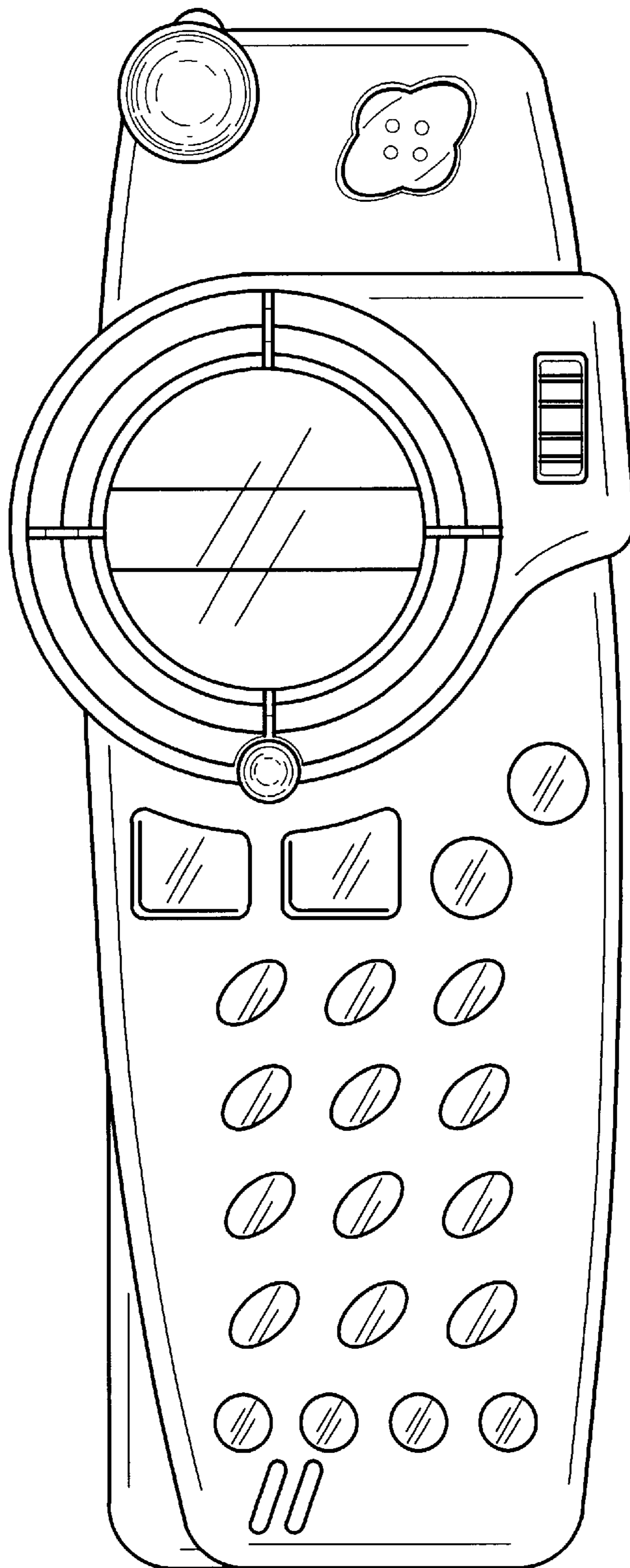


FIG. 1

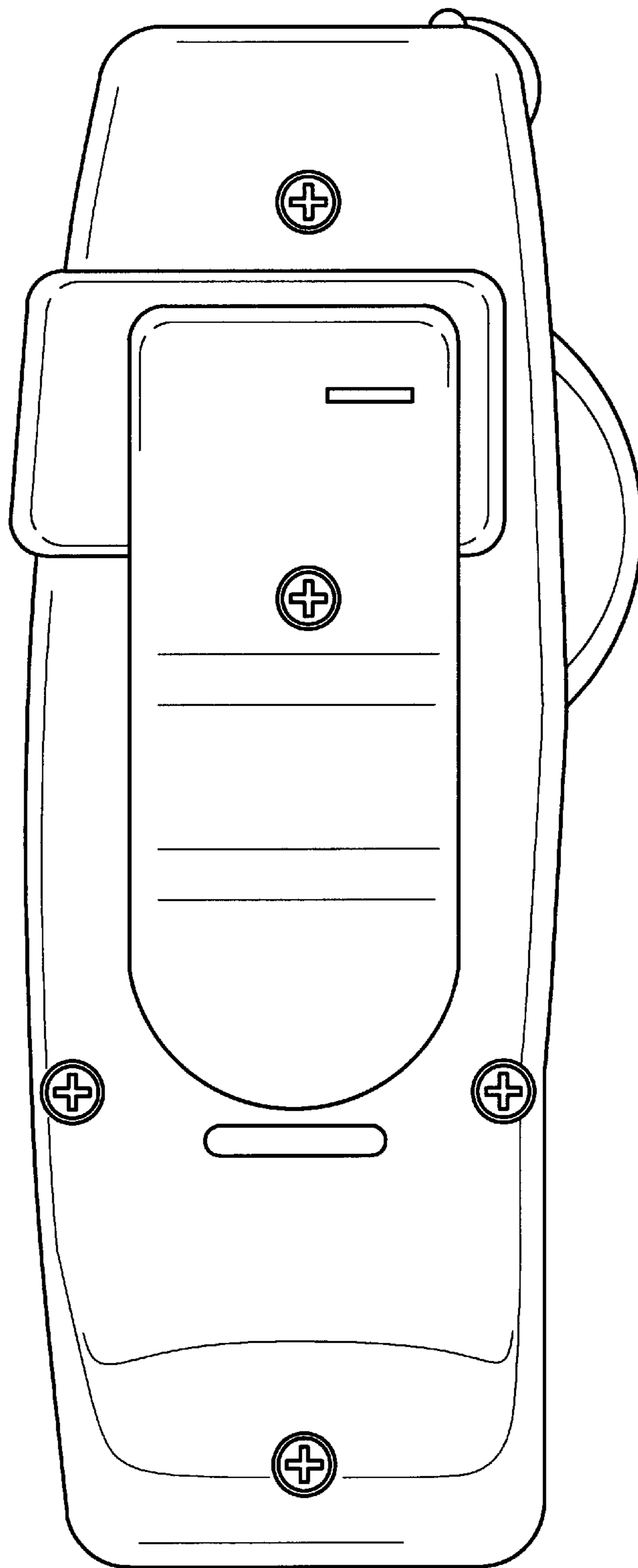


FIG. 2

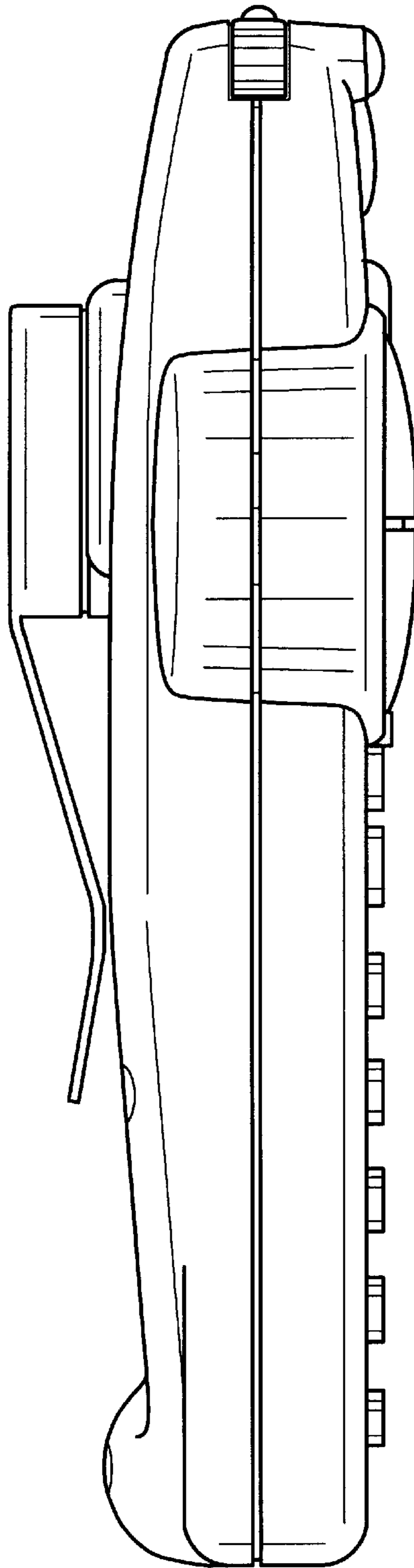


FIG. 3

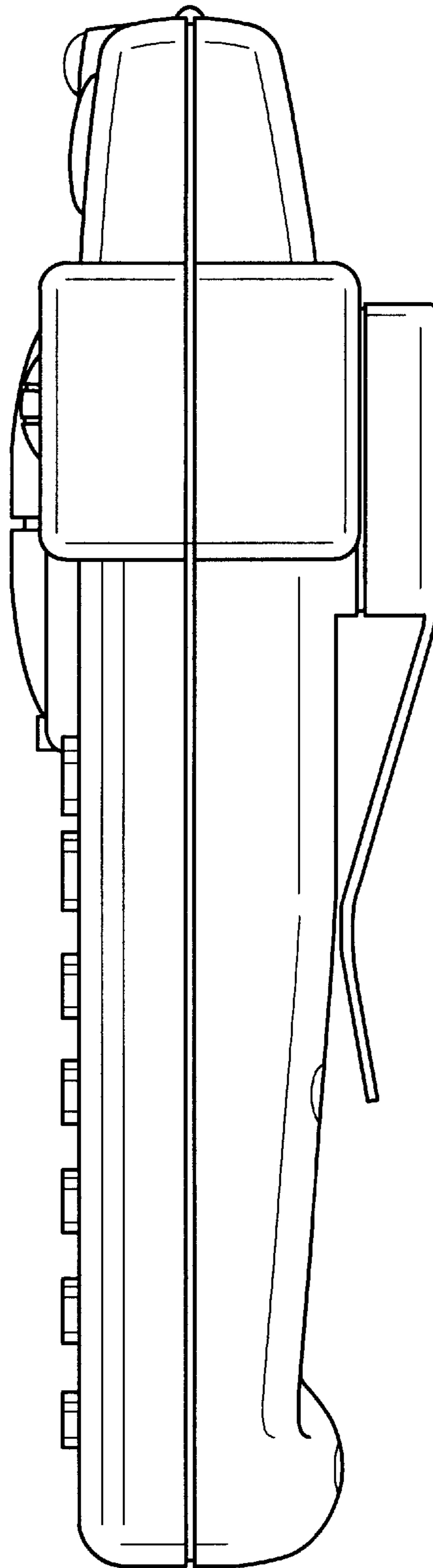


FIG. 4

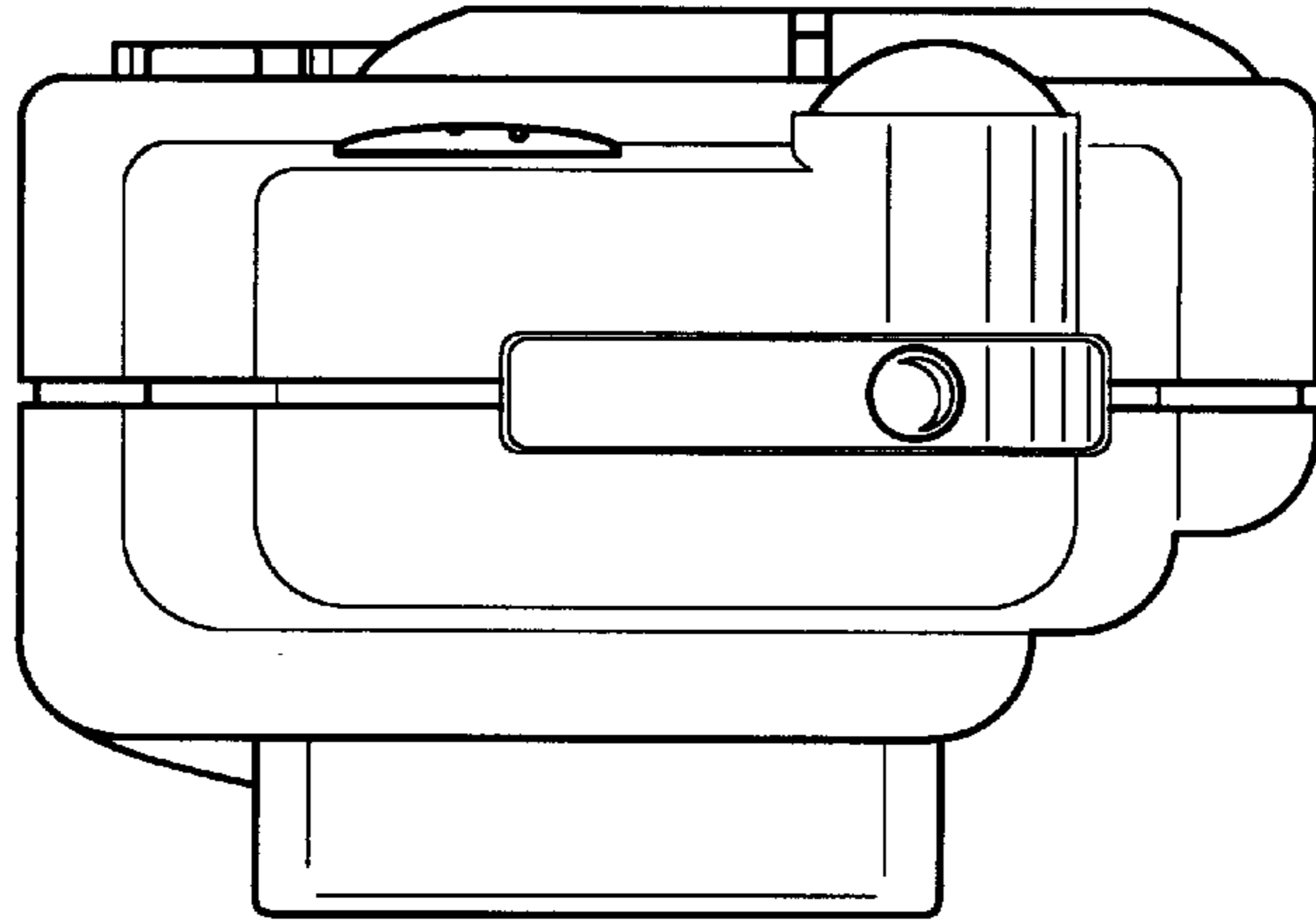


FIG. 5

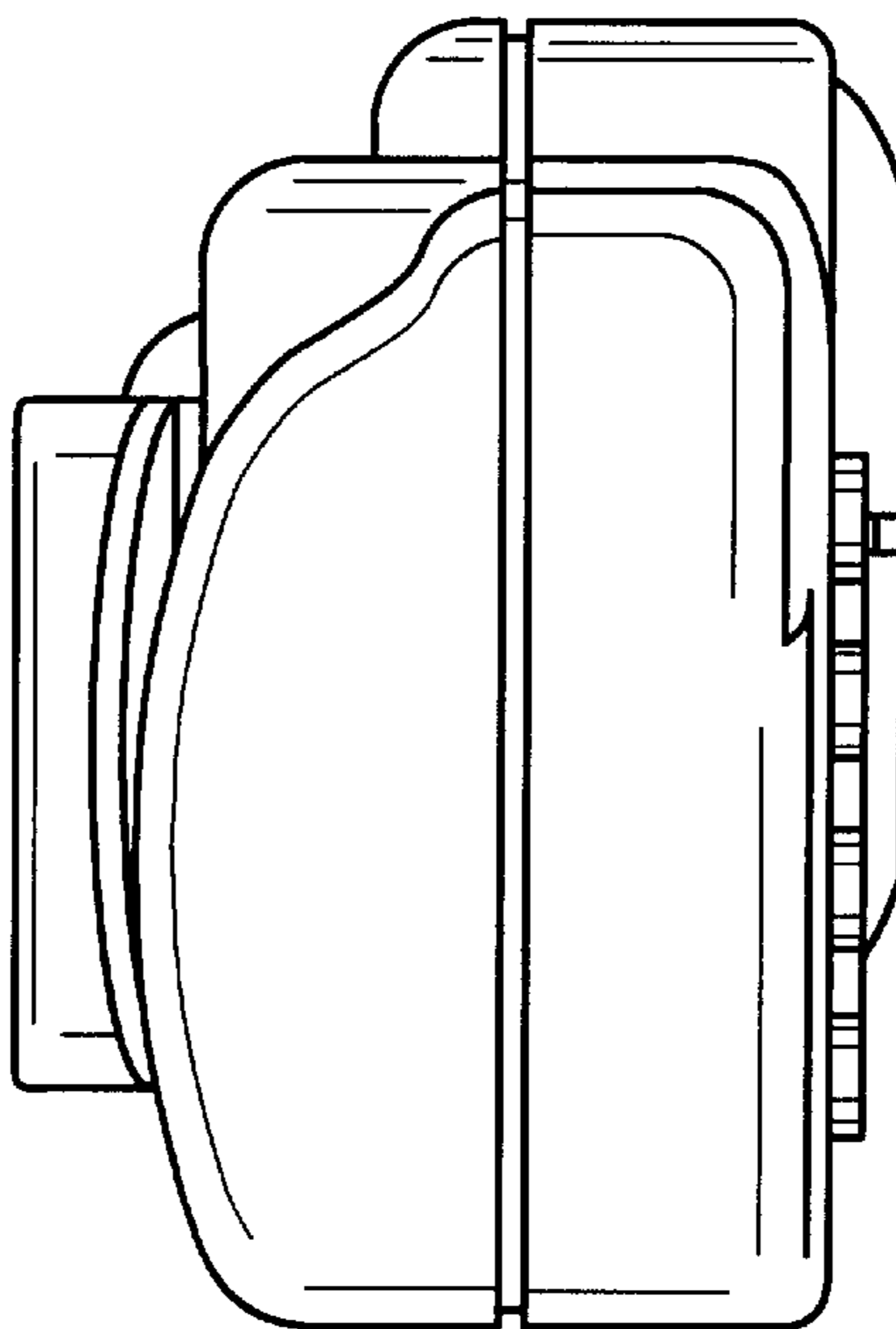


FIG. 6

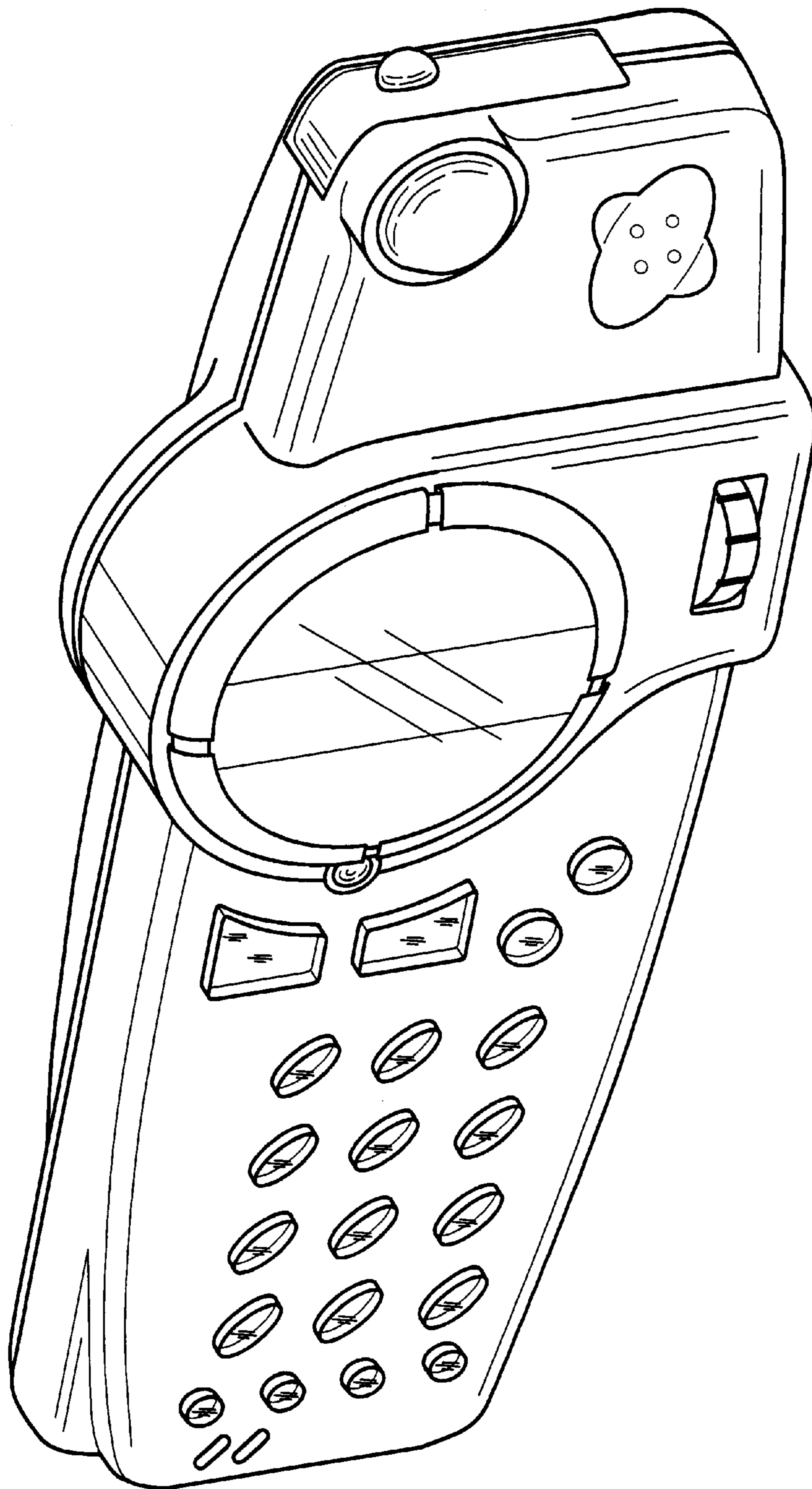


FIG. 7