



US00D409686S

United States Patent [19] Toft

[11] **Patent Number: Des. 409,686**

[45] **Date of Patent: ** May 11, 1999**

[54] **TOY BUILDING ELEMENT**

D. 348,698 7/1994 Berggreen D21/502
5,827,106 10/1998 Crepeau et al. 446/128

[75] Inventor: **Uffe K. Toft**, Aarhus C, Denmark

Primary Examiner—Raphael Barkai
Attorney, Agent, or Firm—Kane, Dalsimer, Sullivan, Kurucz,
Levy, Eisele and Richard, LLP

[73] Assignee: **INTERLEGO AG**, Baar, Switzerland

[**] Term: **14 Years**

[57] CLAIM

[21] Appl. No.: **29/094,971**

The ornamental design for a toy building element, as shown and described.

[22] Filed: **Oct. 14, 1998**

DESCRIPTION

[51] **LOC (6) Cl.** **21-01**

[52] **U.S. Cl.** **D21/504; D21/505**

[58] **Field of Search** D21/484-505,
D21/506-511; 446/85, 102, 108, 117, 118,
120-125, 128

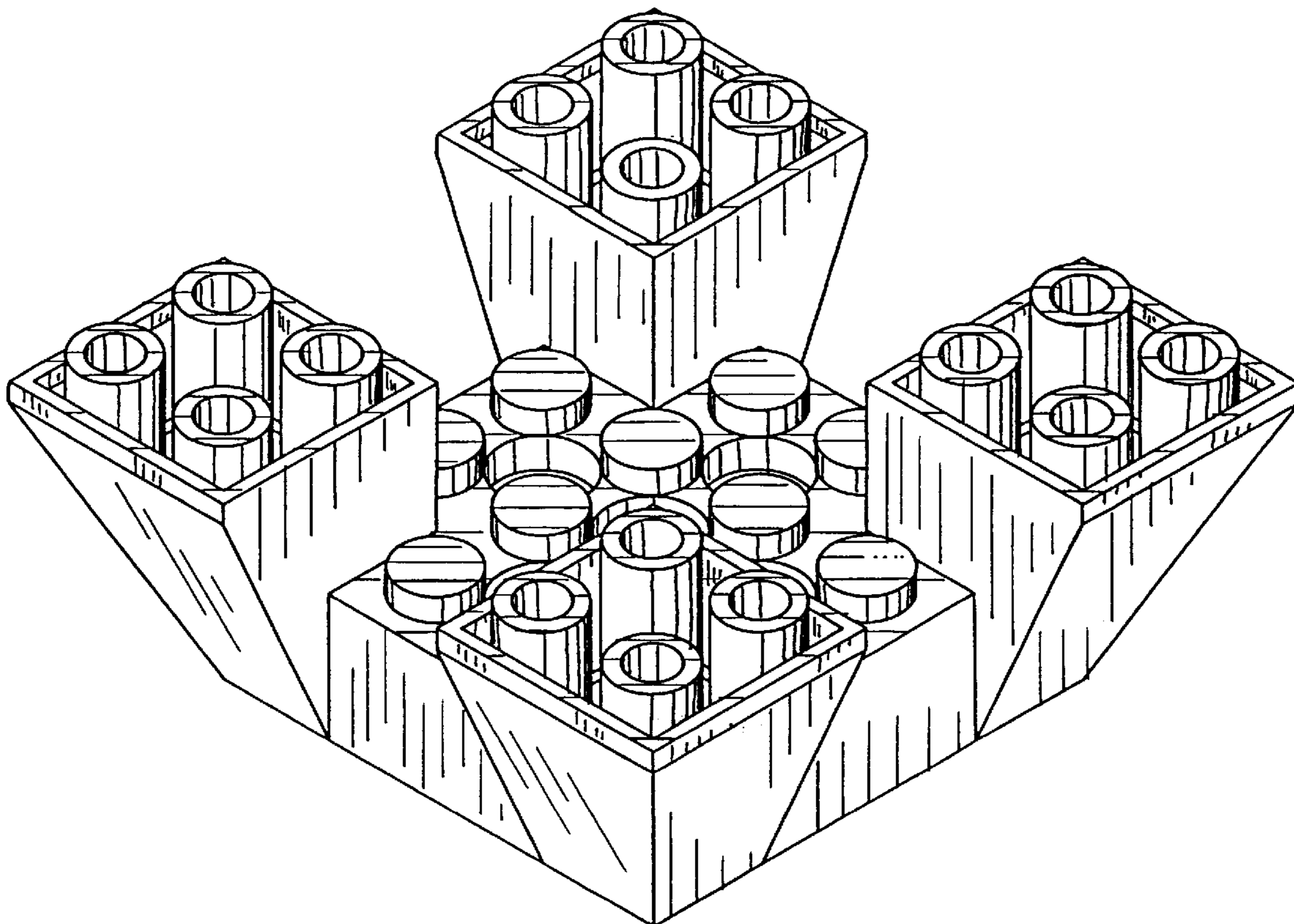
FIG. 1 is a top perspective view of the toy building element,
FIG. 2 is a top plan view thereof,
FIG. 3 is a front elevational view thereof,
FIG. 4 is a bottom plan view thereof,
FIG. 5 is a right side elevational view thereof,
FIG. 6 is a left side elevational view thereof,
FIG. 7 is a rear elevational view thereof; and,
FIG. 8 is a bottom perspective view thereof.

[56] References Cited

U.S. PATENT DOCUMENTS

D. 316,430 4/1991 Andersen D21/505
D. 342,291 12/1993 Bertrand D21/495

1 Claim, 3 Drawing Sheets



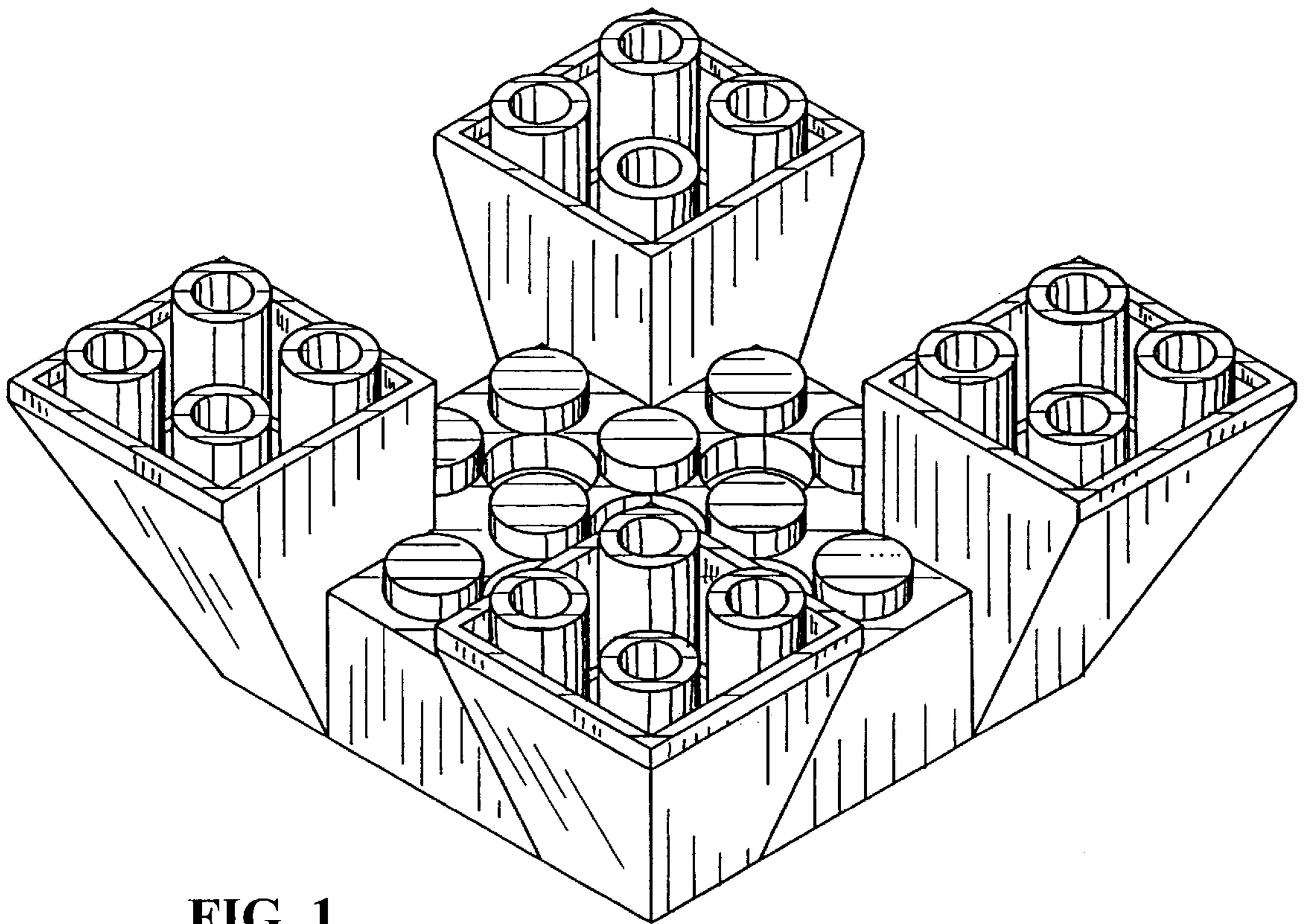


FIG. 1

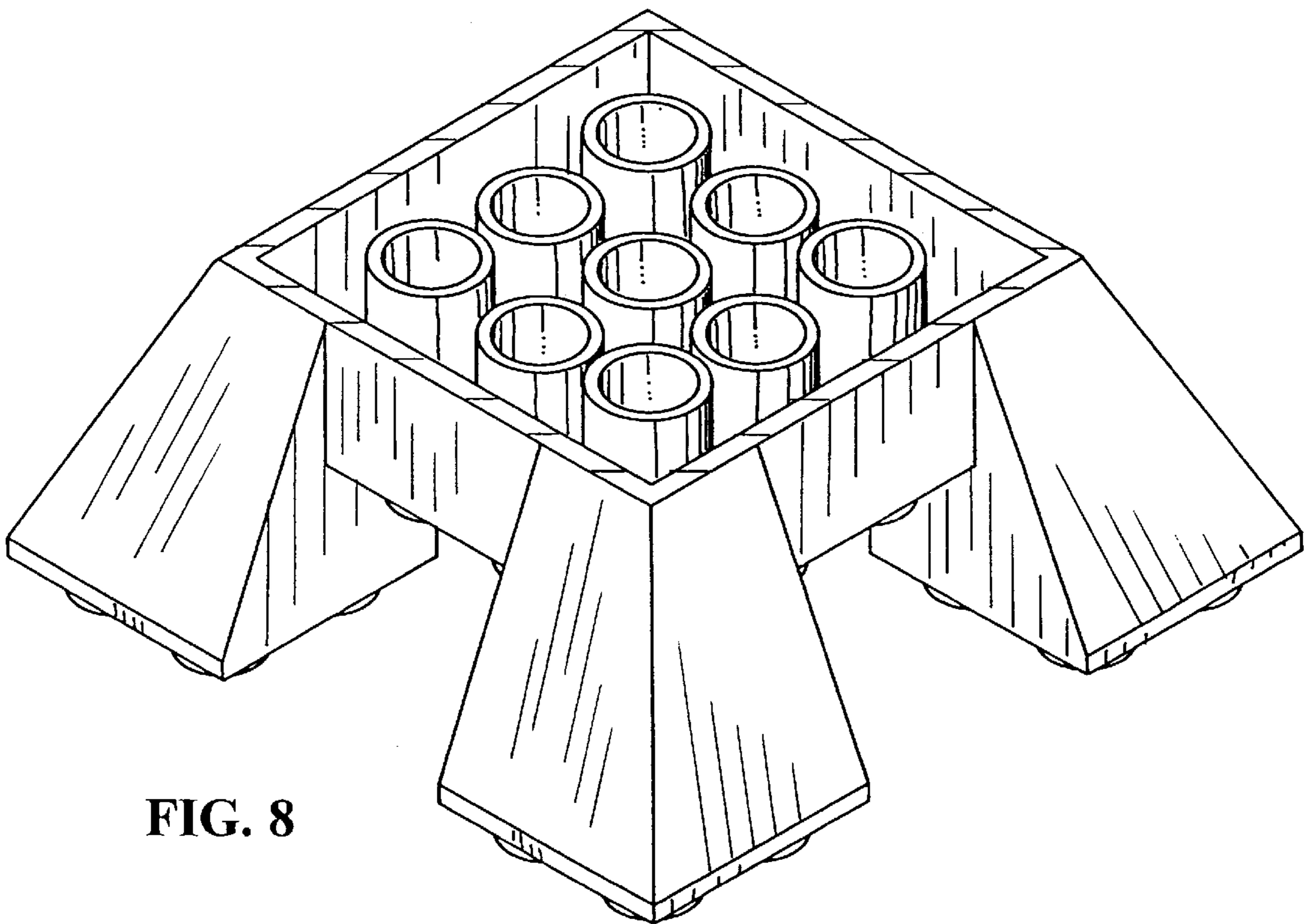


FIG. 8

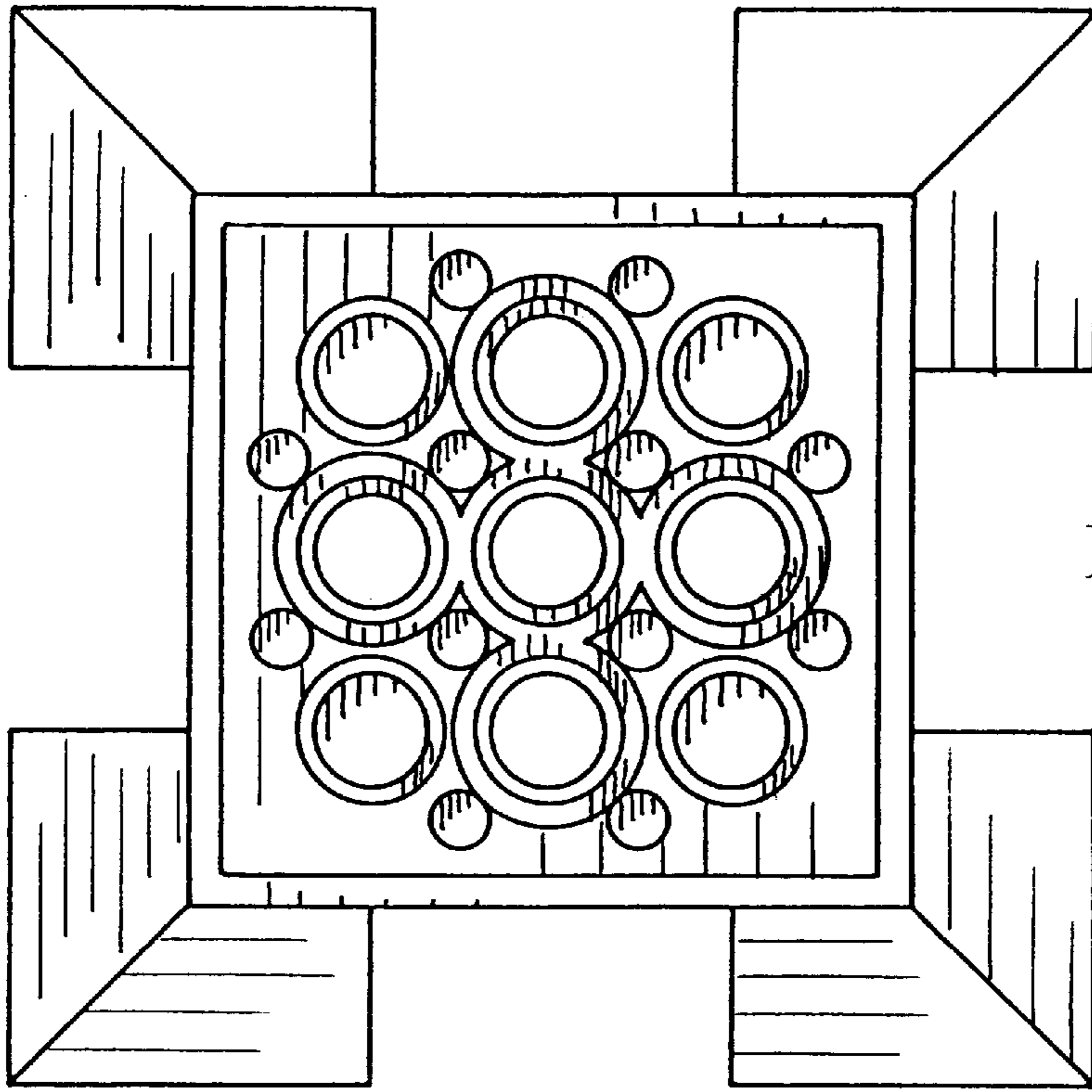


FIG. 4

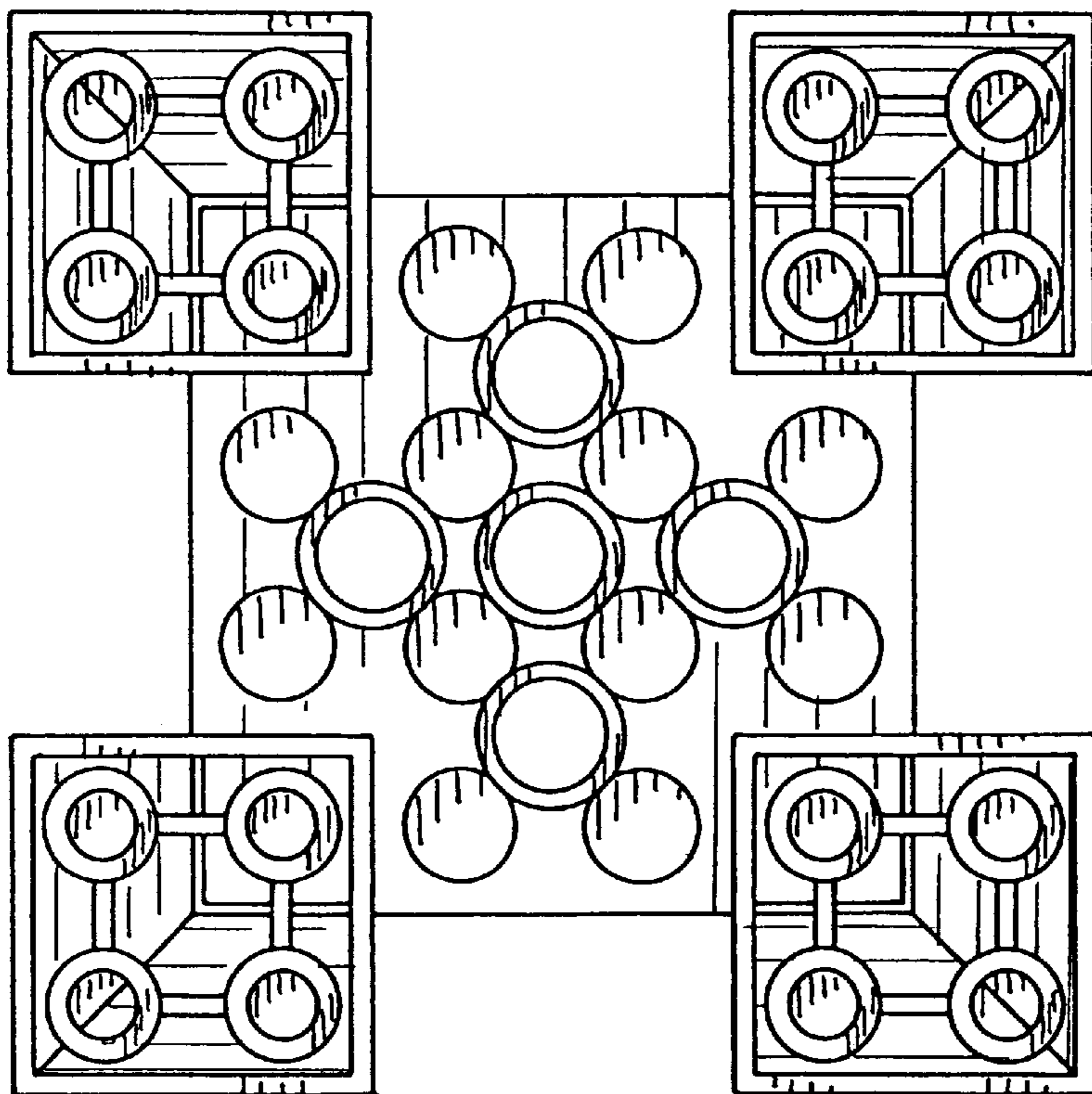


FIG. 2

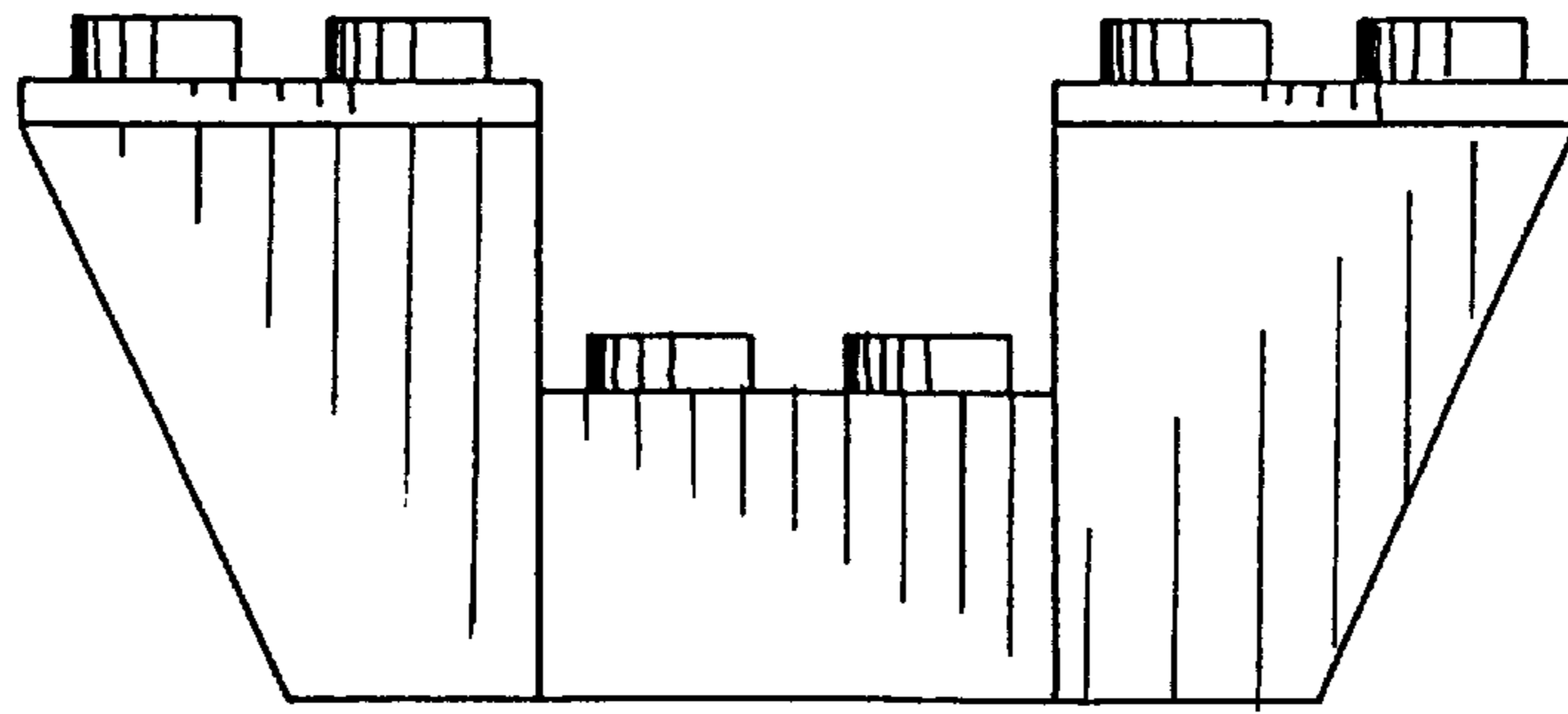


FIG. 3

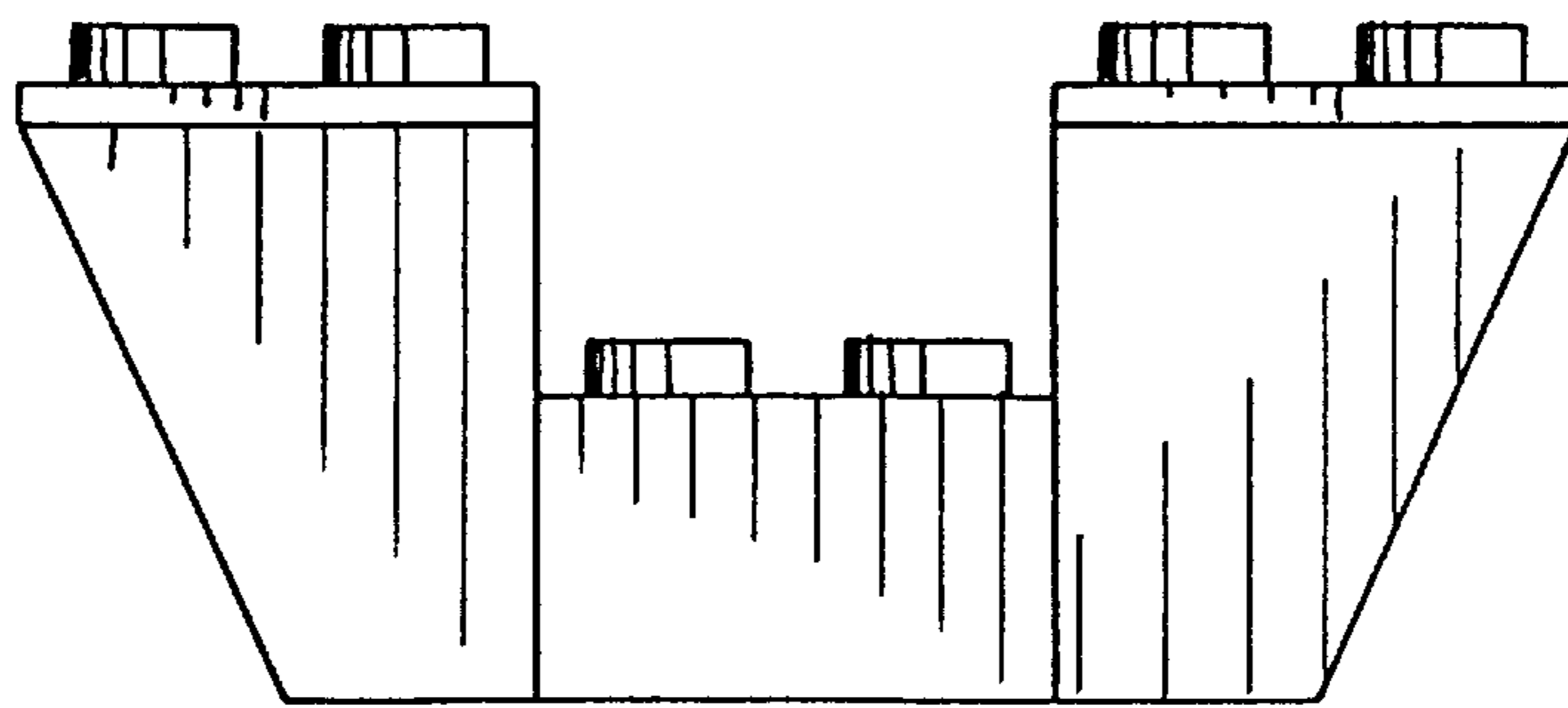


FIG. 5

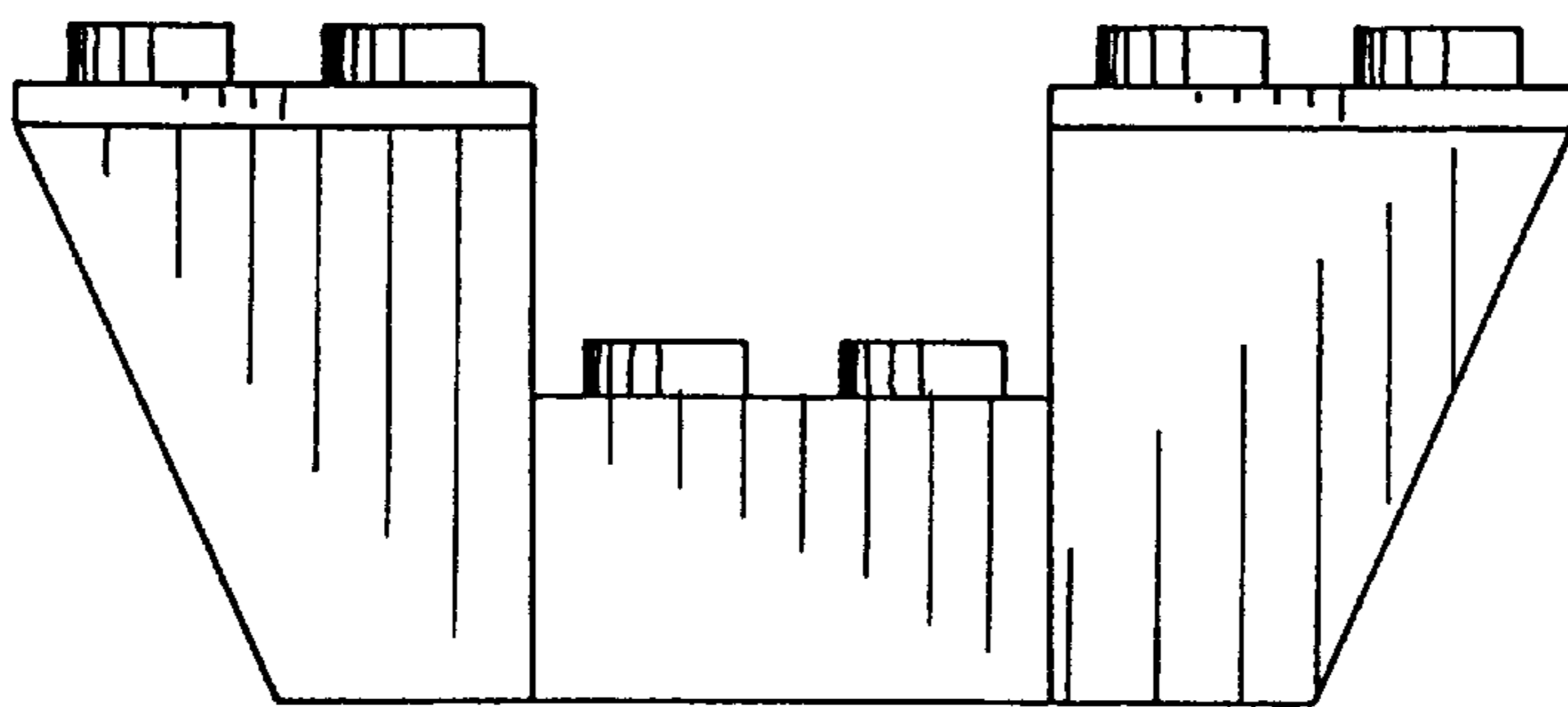


FIG. 6

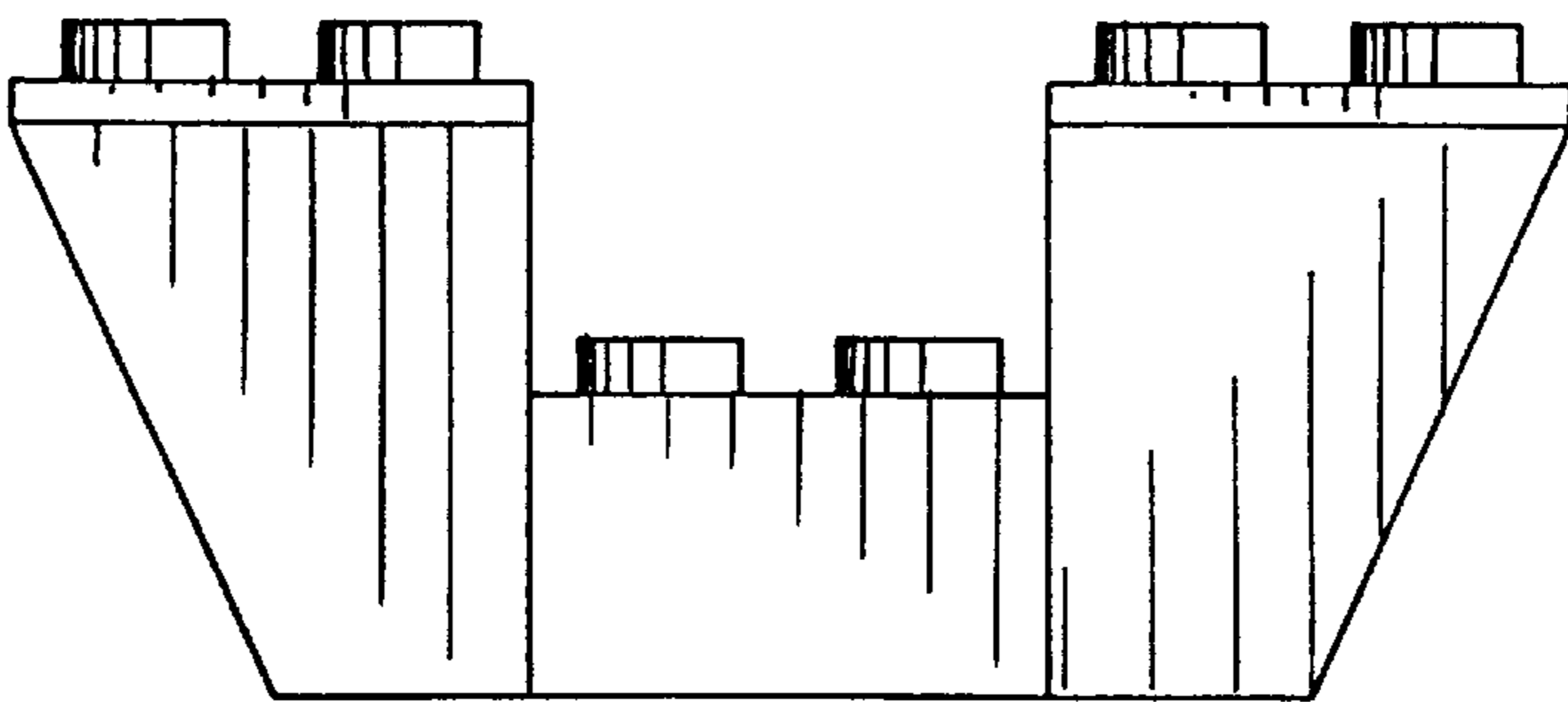


FIG. 7