



US00D409685S

United States Patent [19]
Toft

[11] **Patent Number: Des. 409,685**

[45] **Date of Patent: ** May 11, 1999**

[54] **TOY BUILDING ELEMENT**

4,335,881 6/1982 Warehime 446/121

[75] Inventor: **Uffe K. Toft**, Aarhus, Denmark

Primary Examiner—Raphael Barkai
Attorney, Agent, or Firm—Kane, Dalsimer, Sullivan, Kurucz,
Levy, Eisele and Richard, LLP

[73] Assignee: **INTERLEGO AG**, Baar, Switzerland

[**] Term: **14 Years**

[57] **CLAIM**

[21] Appl. No.: **29/095,030**

The ornamental design for a toy building element, as shown and described.

[22] Filed: **Oct. 14, 1998**

DESCRIPTION

[51] **LOC (6) Cl.** **21-01**

[52] **U.S. Cl.** **D21/503**

[58] **Field of Search** D21/484-505;
446/85, 102, 104, 120-125, 128

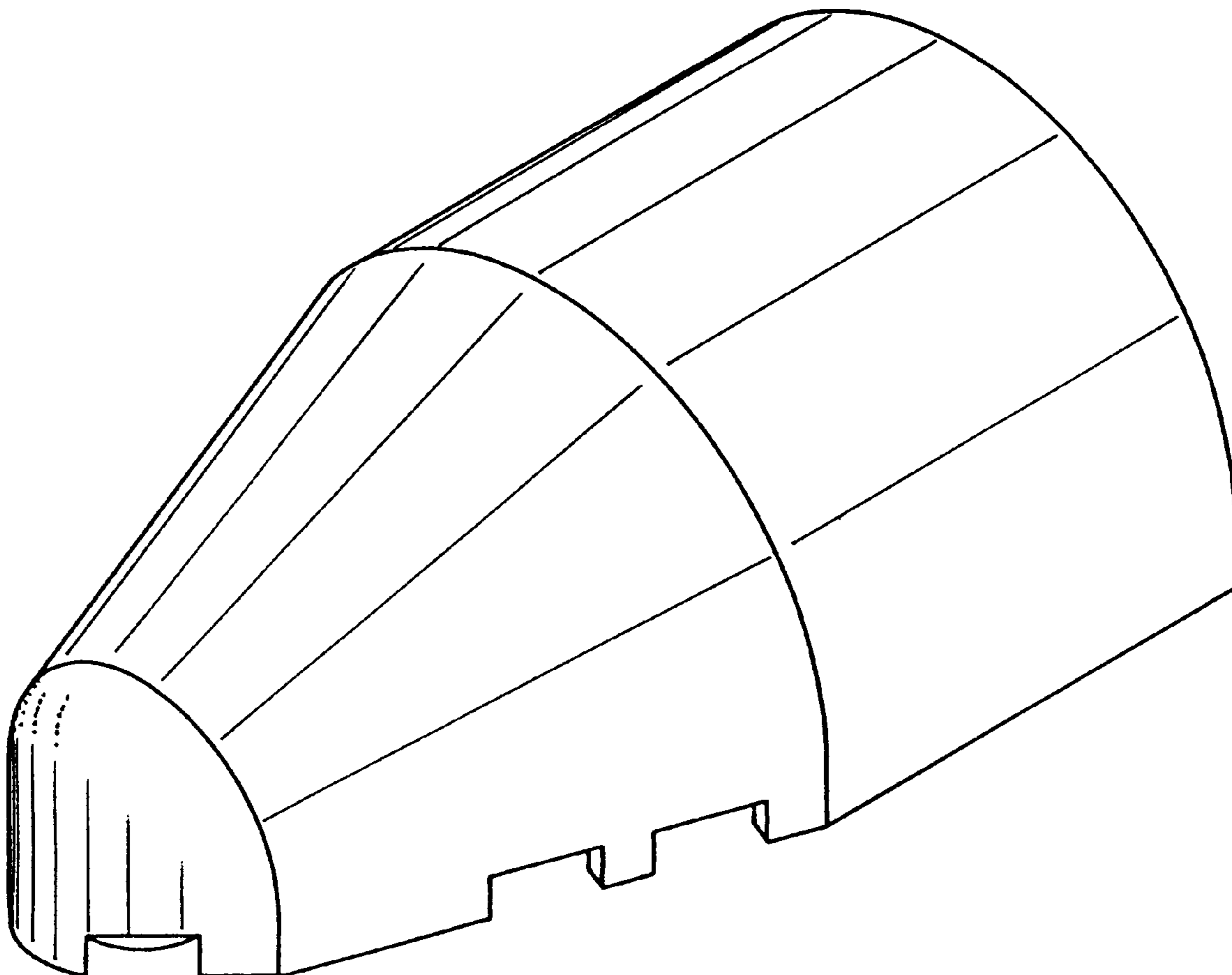
FIG. 1 is a top perspective view of the toy building element, FIG. 2 is a top plan view thereof, FIG. 3 is a front elevational view thereof, FIG. 4 is a bottom plan view thereof, FIG. 5 is a right side elevational view thereof, FIG. 6 is a left side elevational view thereof, FIG. 7 is a rear elevational view thereof; and, FIG. 8 is a bottom perspective view thereof.

[56] **References Cited**

U.S. PATENT DOCUMENTS

D. 361,100 8/1995 Skoy D21/503
3,670,449 6/1972 Lemkin 446/102

1 Claim, 3 Drawing Sheets



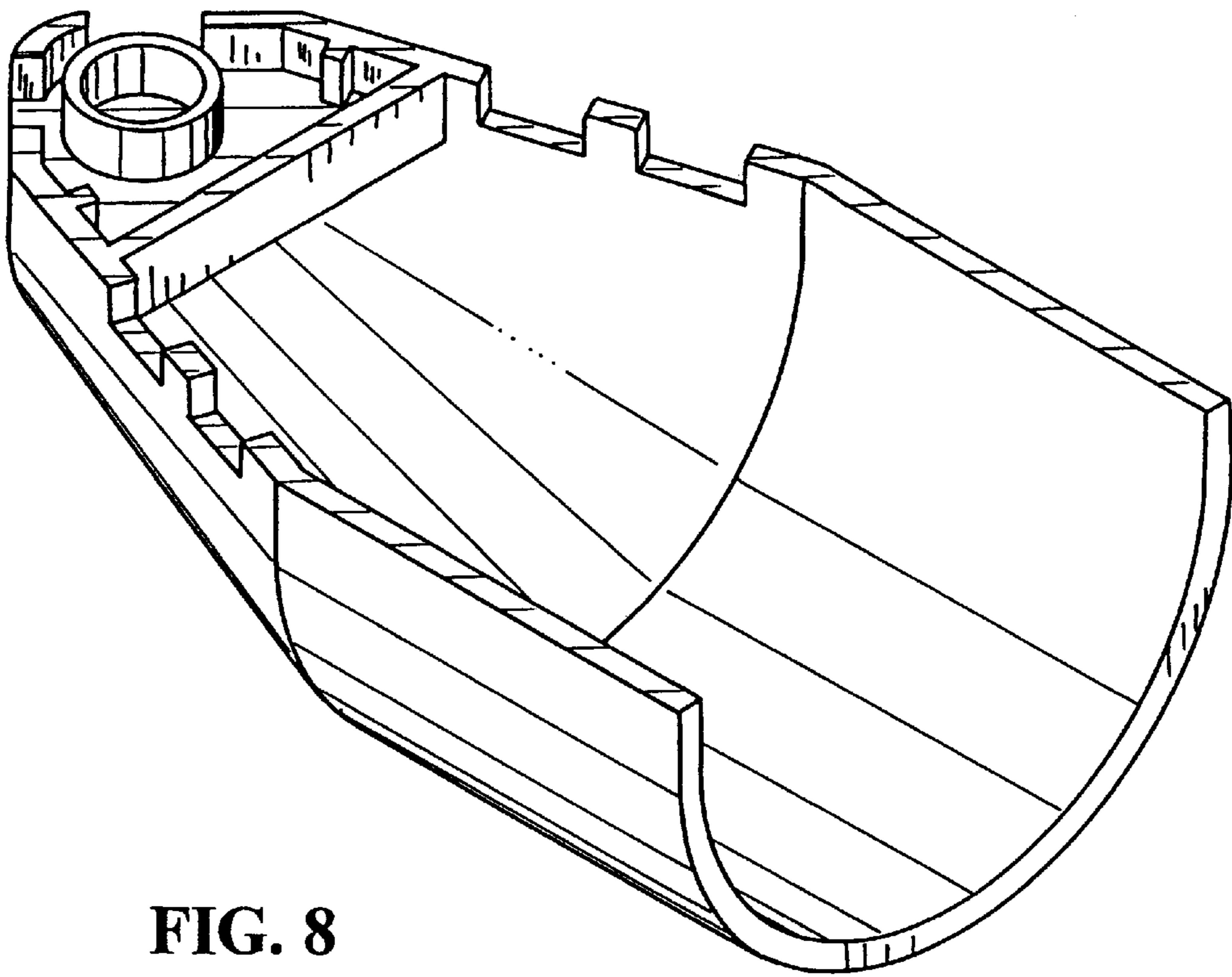


FIG. 8

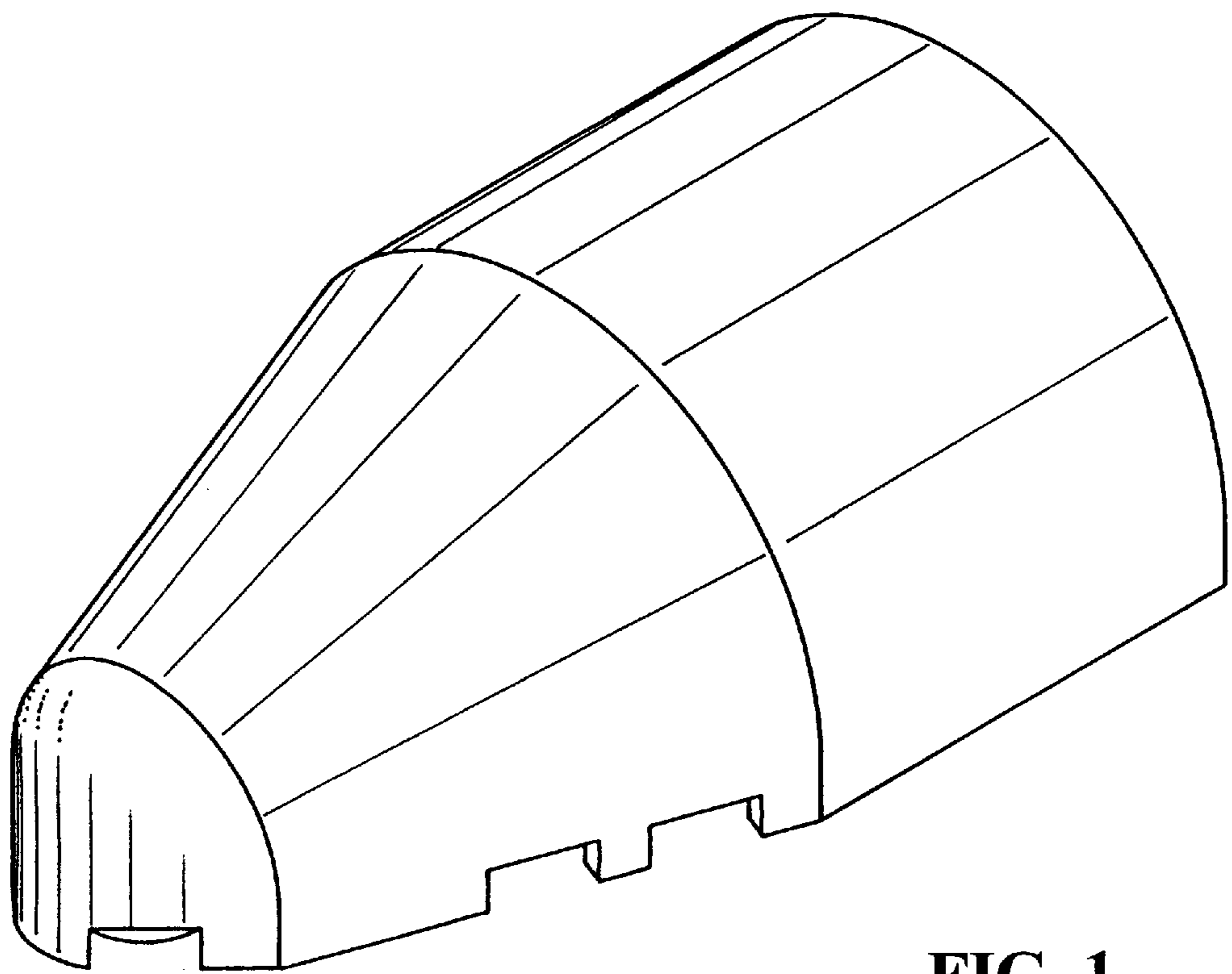


FIG. 1

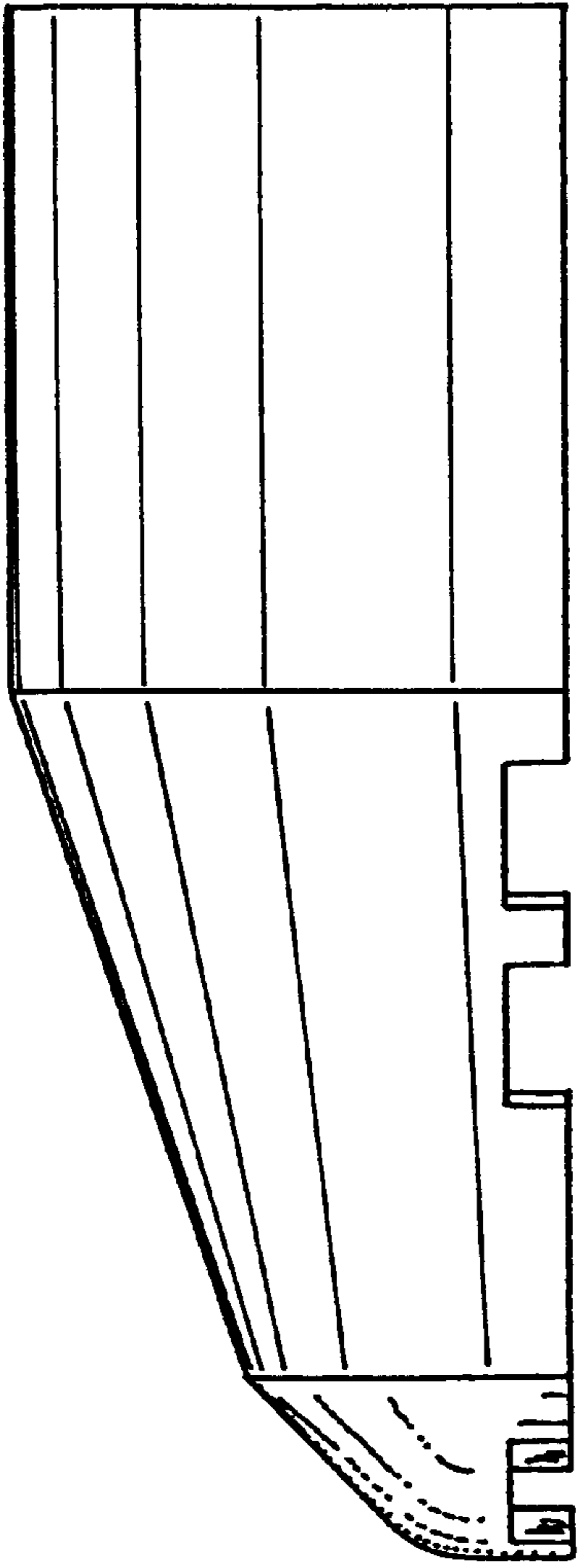


FIG. 6

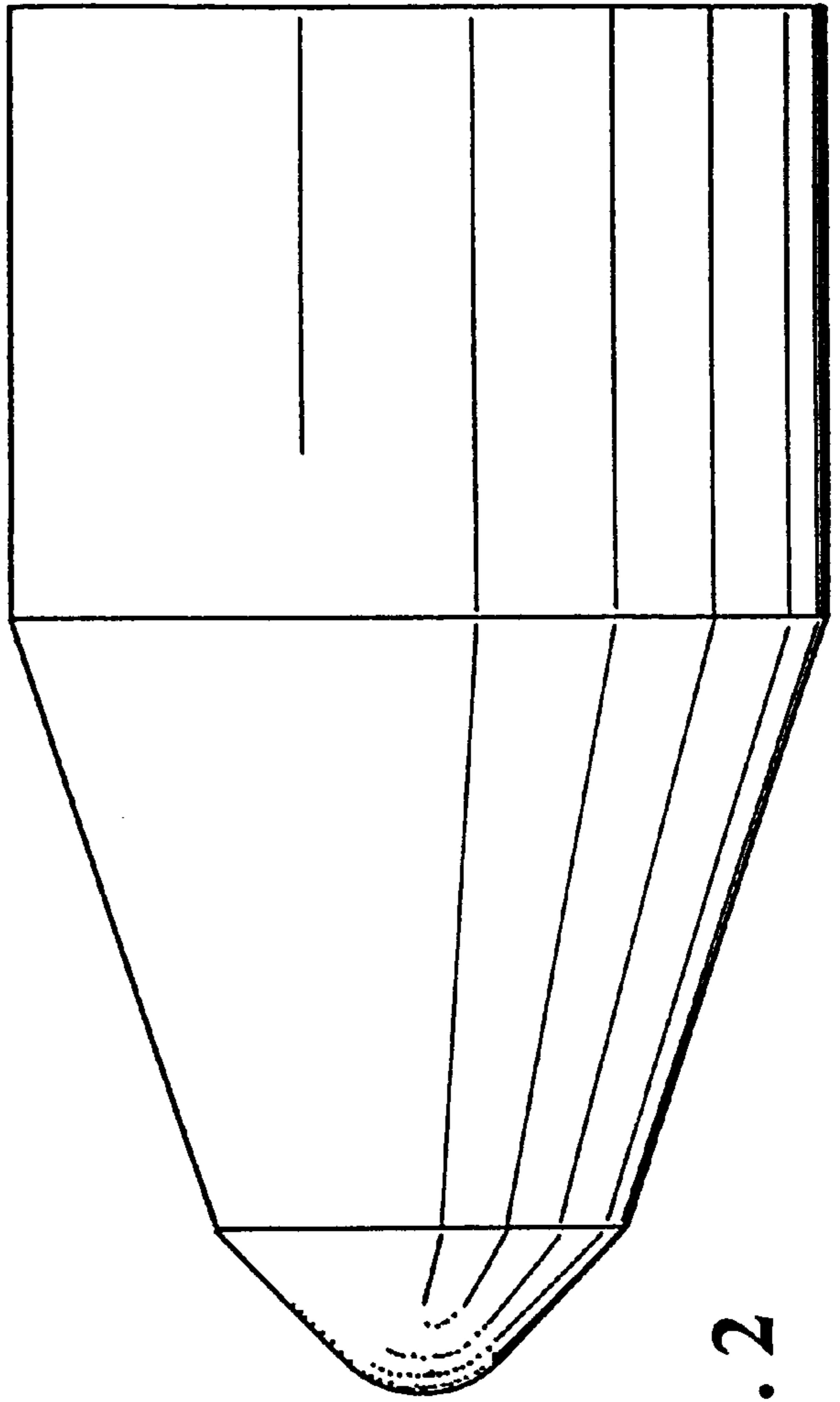


FIG. 2

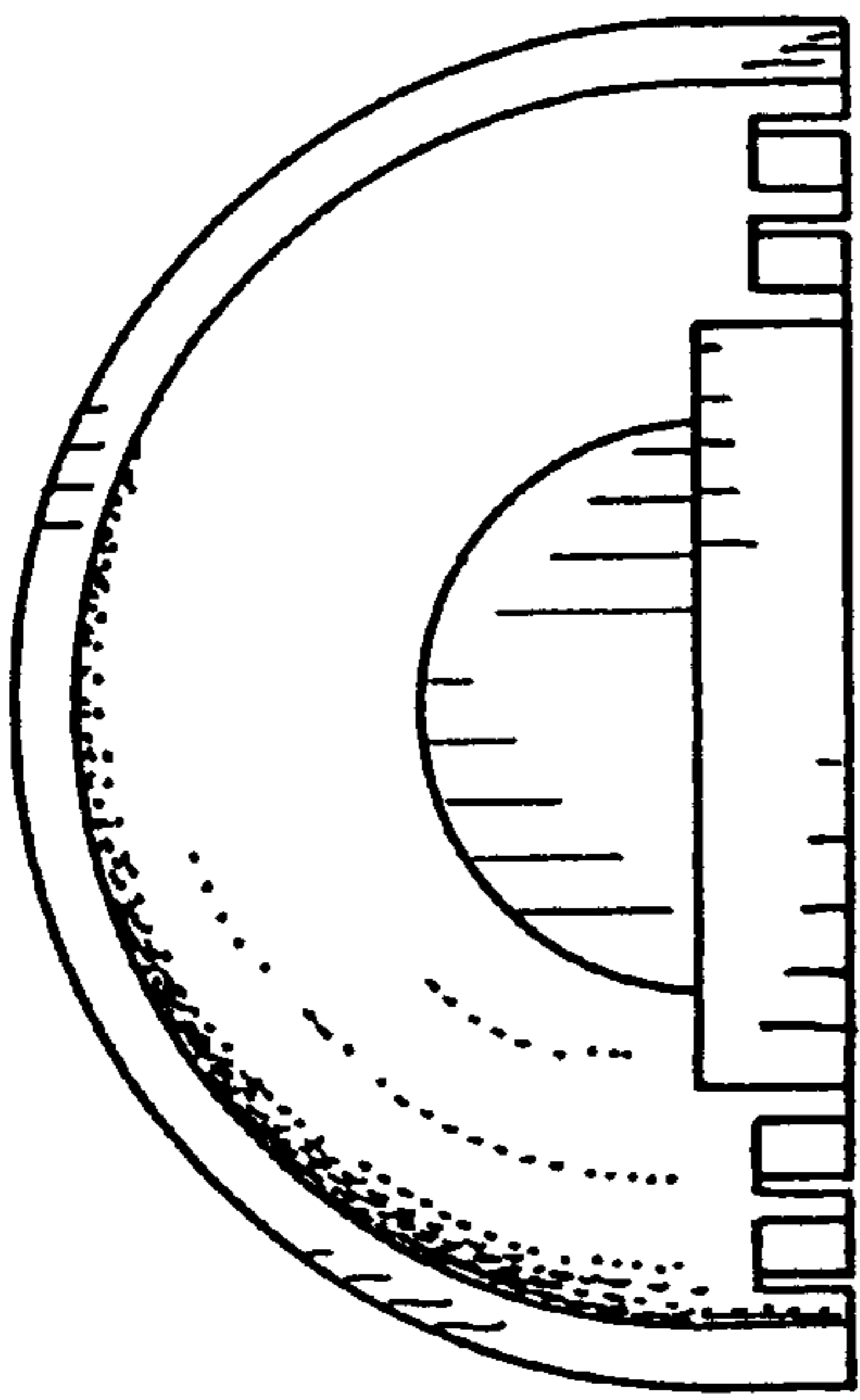


FIG. 7

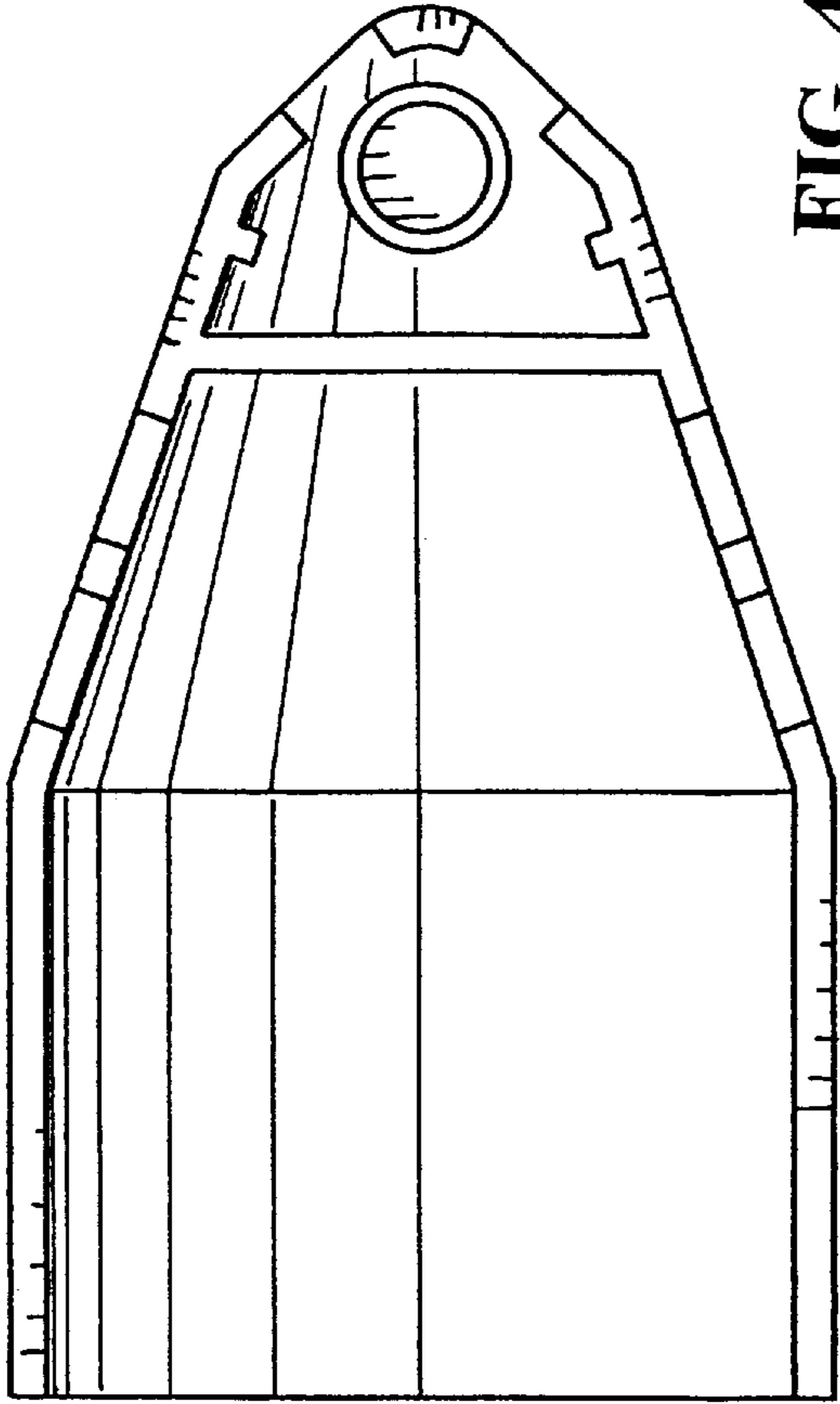


FIG. 4

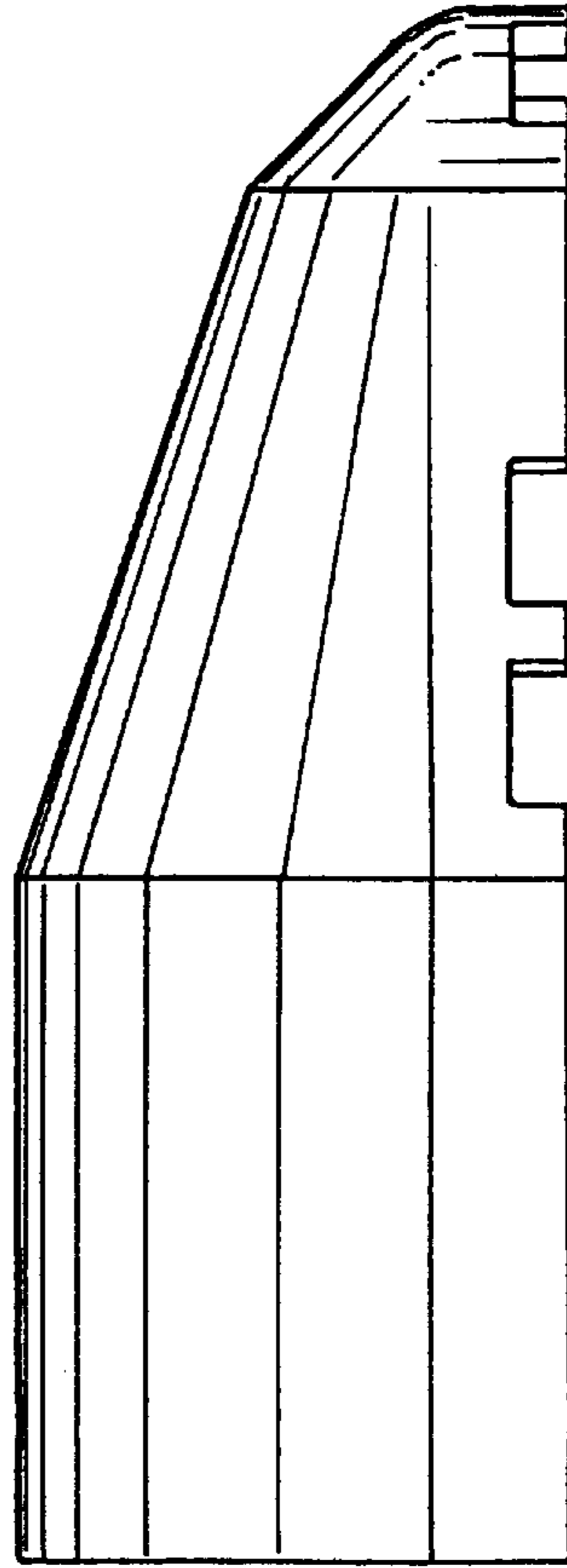


FIG. 5

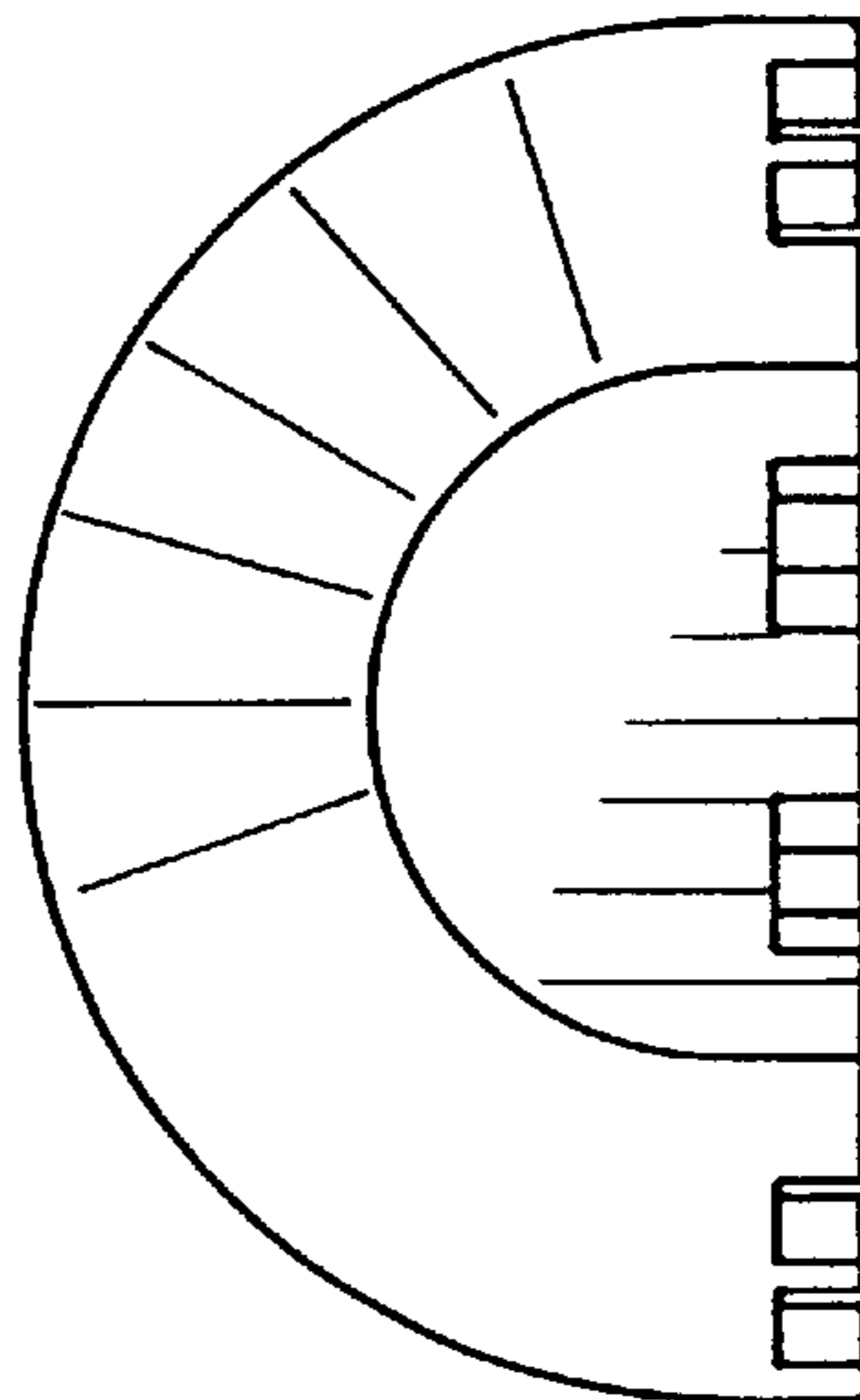


FIG. 3