



US00D409684S

United States Patent [19]
Elling et al.

[11] **Patent Number: Des. 409,684**

[45] **Date of Patent: ** May 11, 1999**

[54] **TOY BUILDING ELEMENT**

4,185,410 1/1980 Kristiansen 446/104

[75] Inventors: **Jesper Elling, Struer; Lars Krog Jensen, Aarhus, both of Denmark**

OTHER PUBLICATIONS

Lego Catalog p. 43, #5272, Jan. 1997.

[73] Assignee: **INTERLEGO AG, Baar, Switzerland**

Primary Examiner—Raphael Barkai
Attorney, Agent, or Firm—Kane, Dalsimer, Sullivan, Kurucz, Levy, Eisele and Richard, LLP

[**] Term: **14 Years**

[21] Appl. No.: **29/095,001**

[57] **CLAIM**

[22] Filed: **Oct. 14, 1998**

The ornamental design for a toy building element, as shown and described.

[51] **LOC (6) Cl.** **21-01**

DESCRIPTION

[52] **U.S. Cl.** **D21/503; D21/504**

[58] **Field of Search** D21/484-505,
D21/528, 561; 446/85, 88, 93-96, 102-104,
120-125, 128

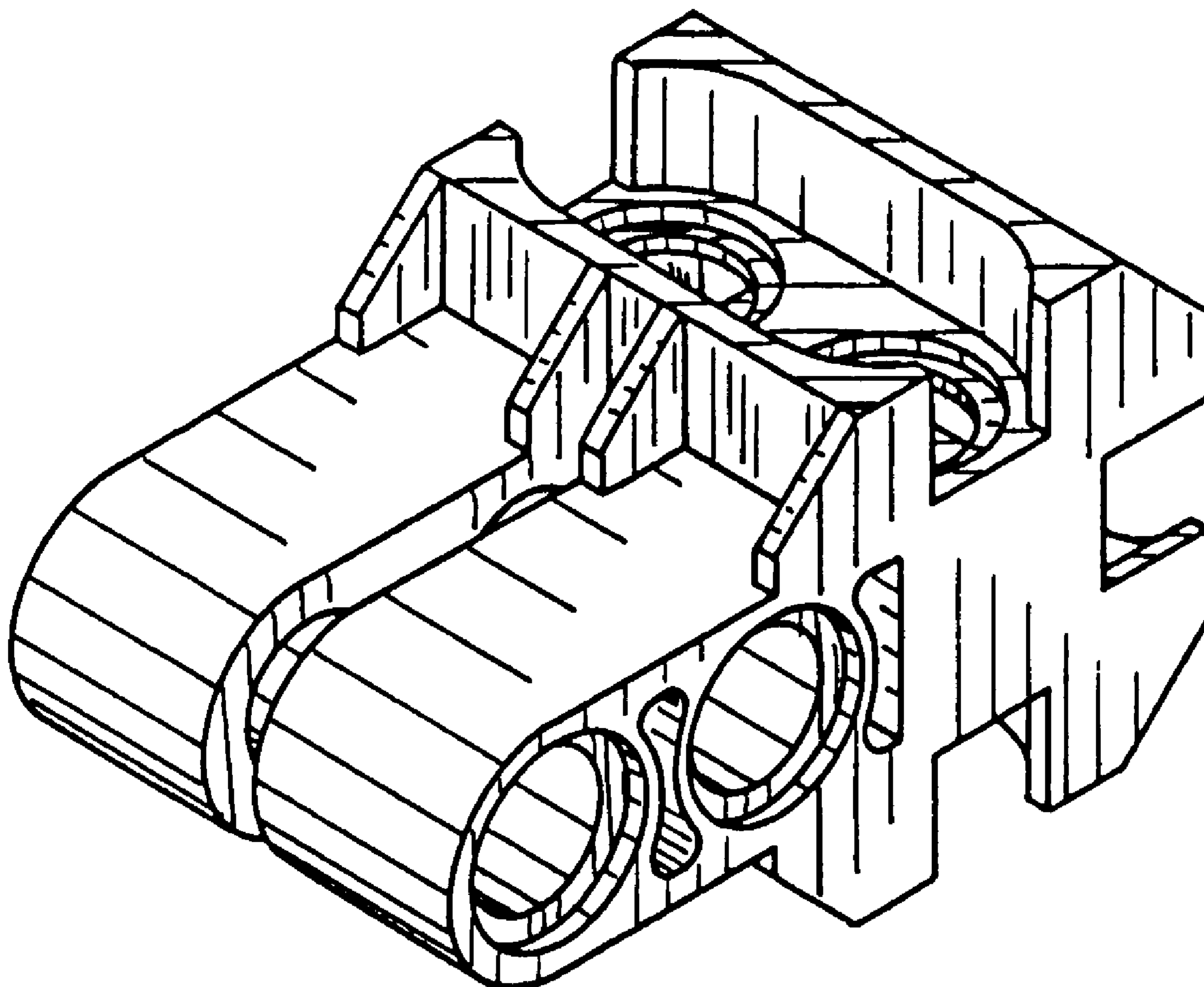
FIG. 1 is a top perspective view of the toy building element, FIG. 2 is a top plan view thereof, FIG. 3 is a front elevational view thereof, FIG. 4 is a bottom plan view thereof, FIG. 5 is a right side elevational view thereof, FIG. 6 is a left side elevational view thereof, FIG. 7 is a rear elevational view thereof, and, FIG. 8 is a bottom perspective view thereof.

[56] **References Cited**

U.S. PATENT DOCUMENTS

D. 329,473	9/1992	Pagel	D21/495
D. 350,155	8/1994	Fotioo	D21/502
2,841,918	7/1958	Sylwan	446/123

1 Claim, 2 Drawing Sheets



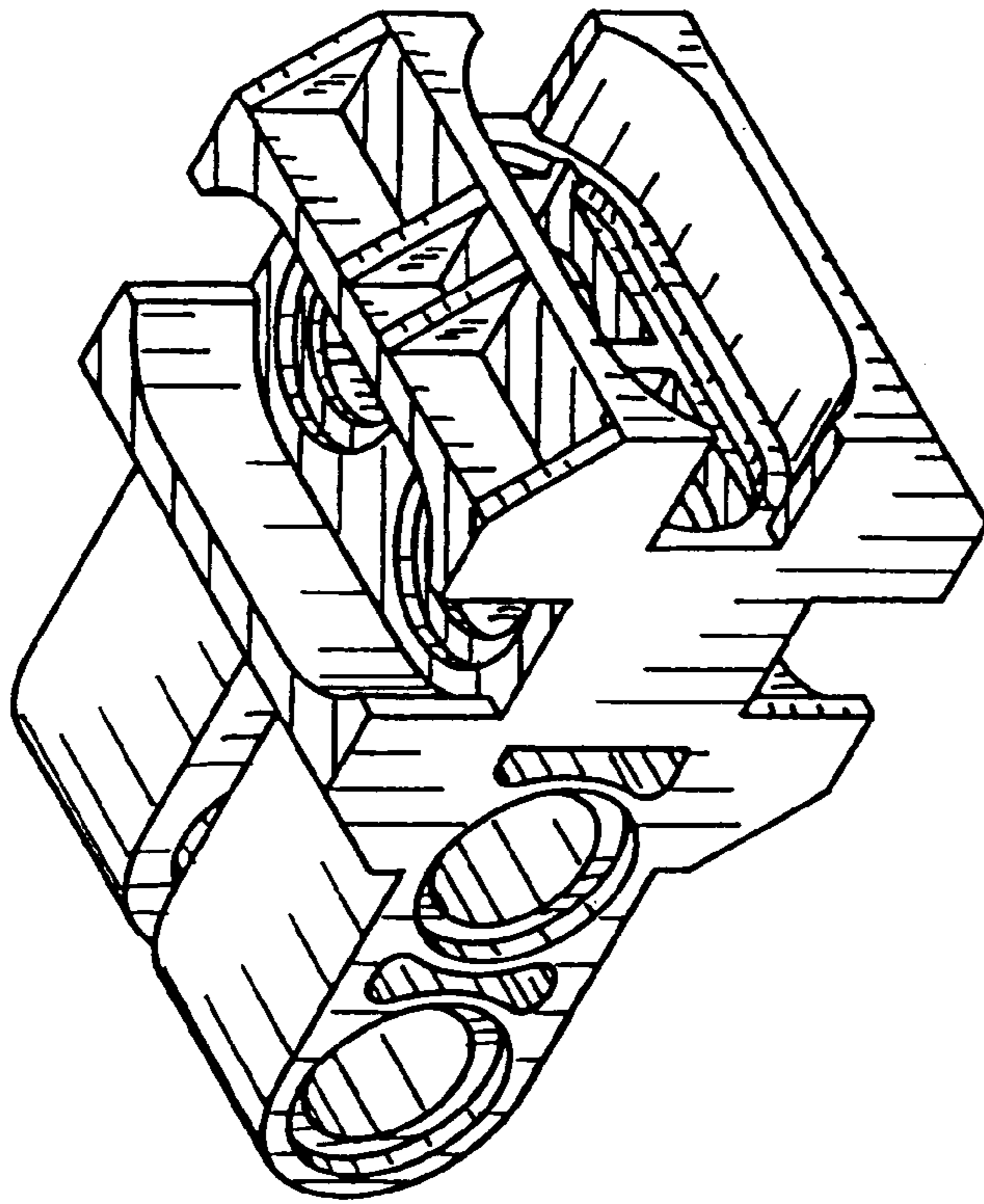


FIG. 8

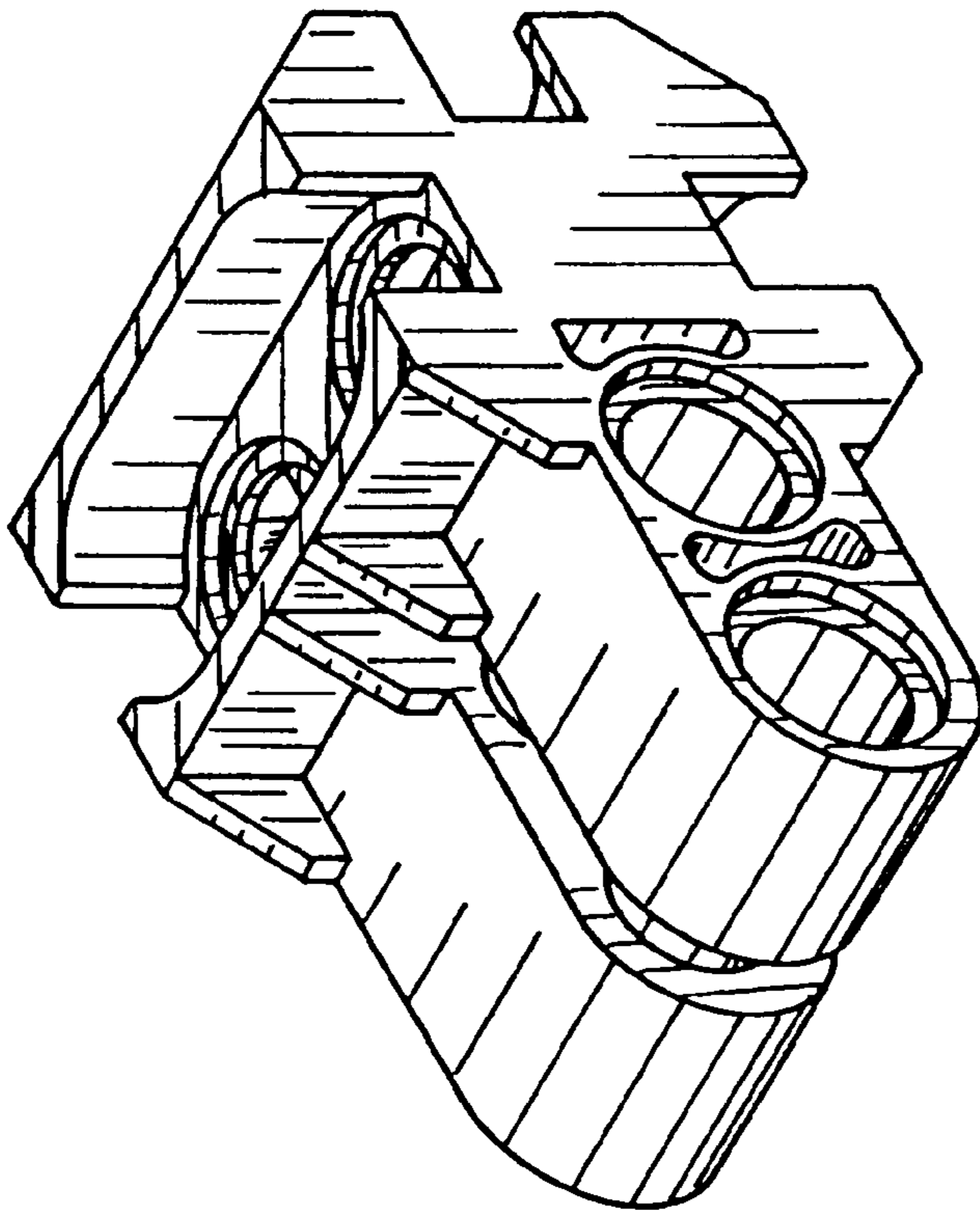


FIG. 1

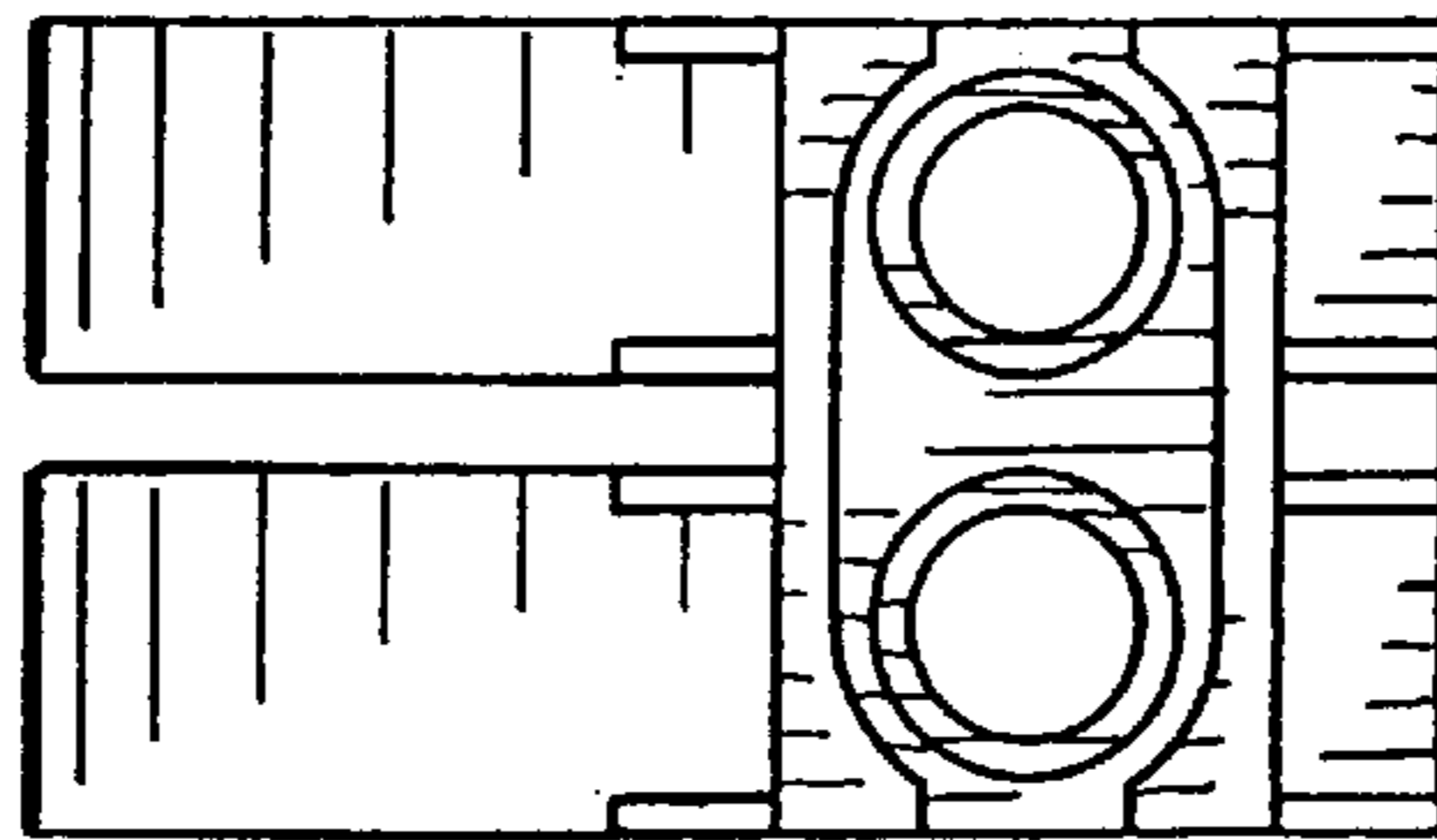


FIG. 2

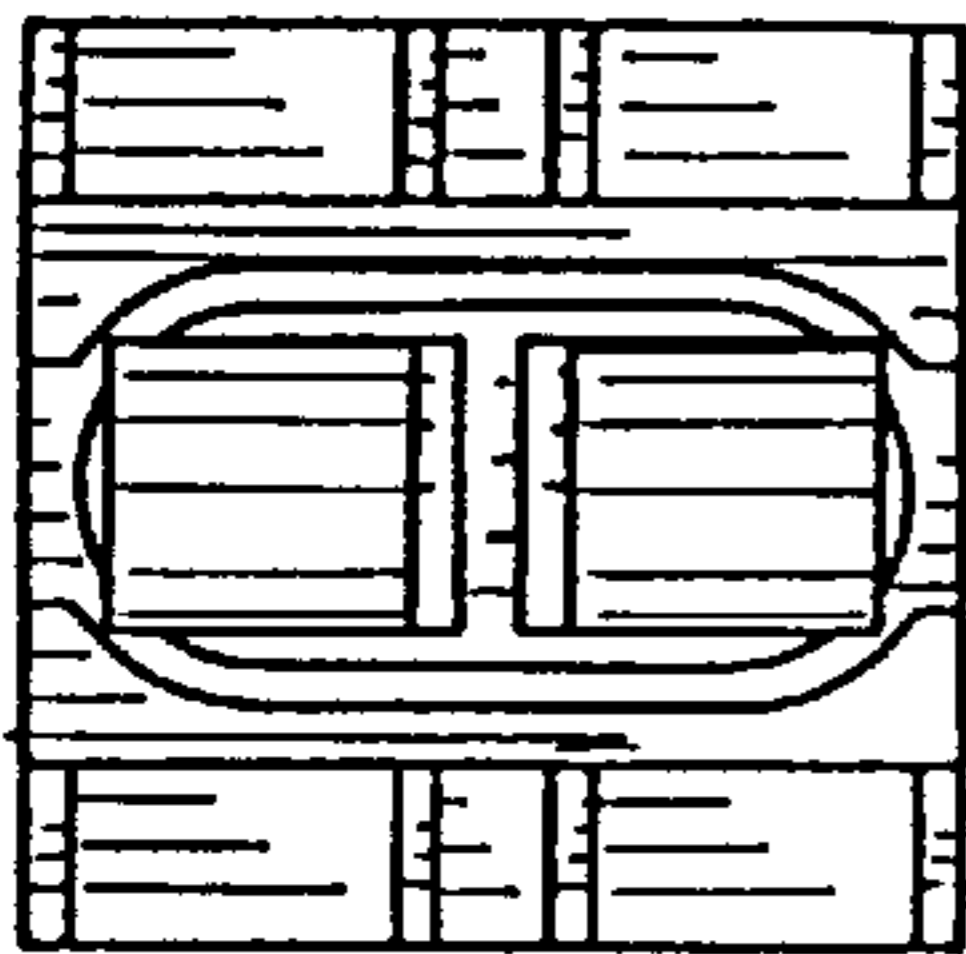


FIG. 3

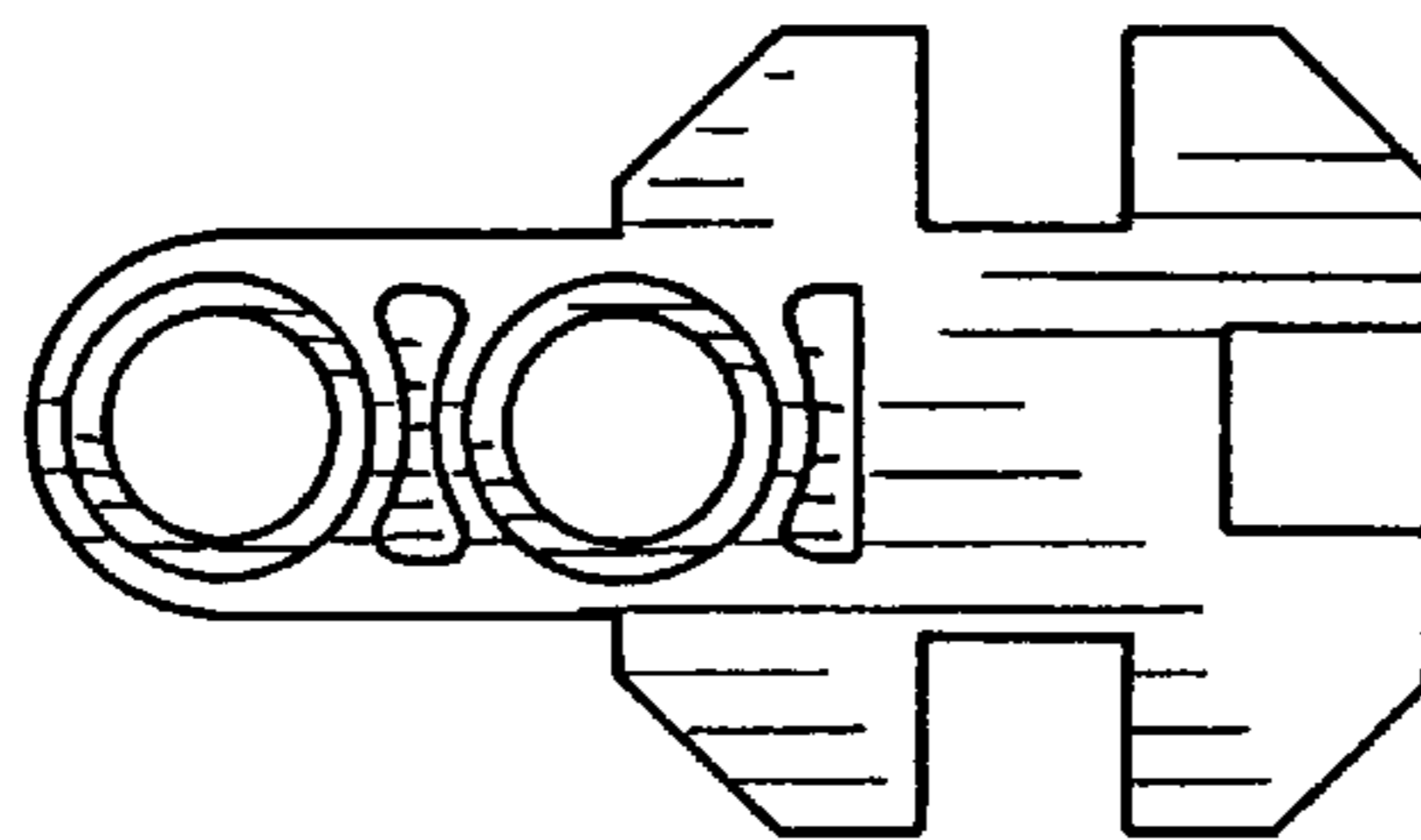


FIG. 5

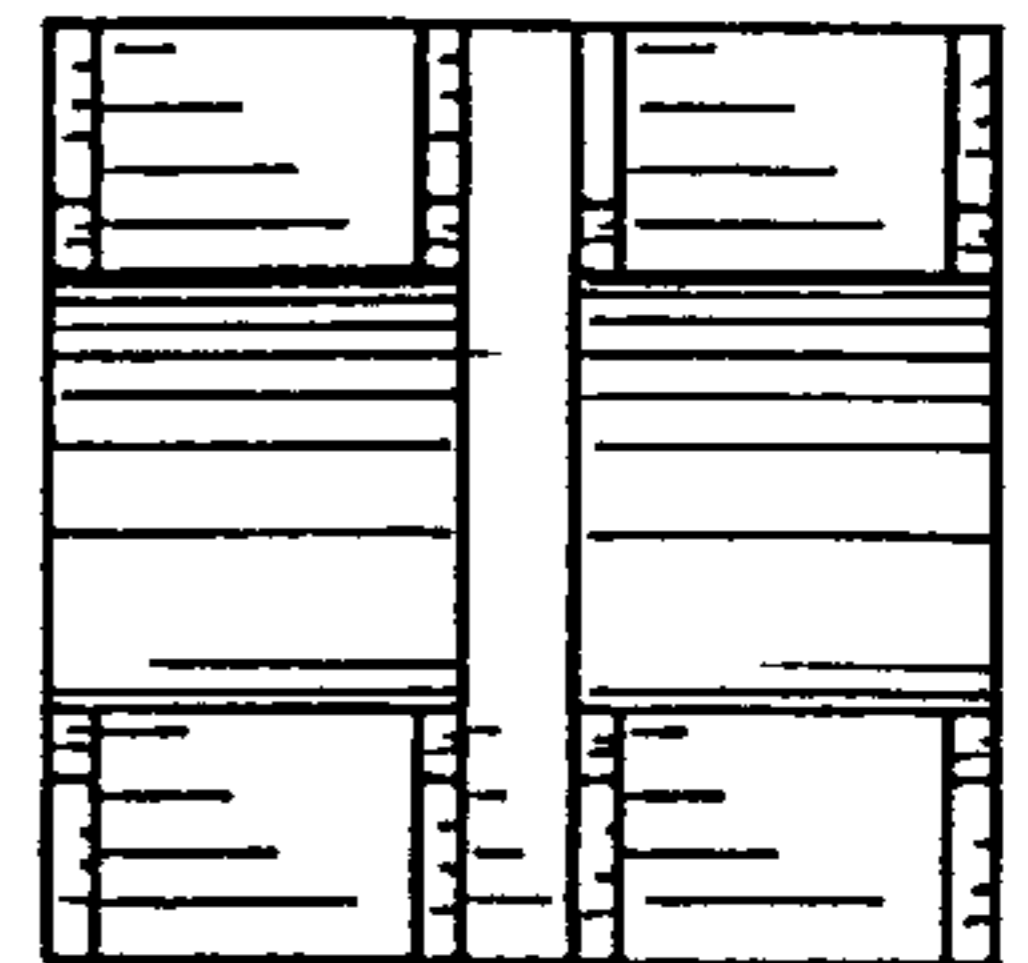


FIG. 7

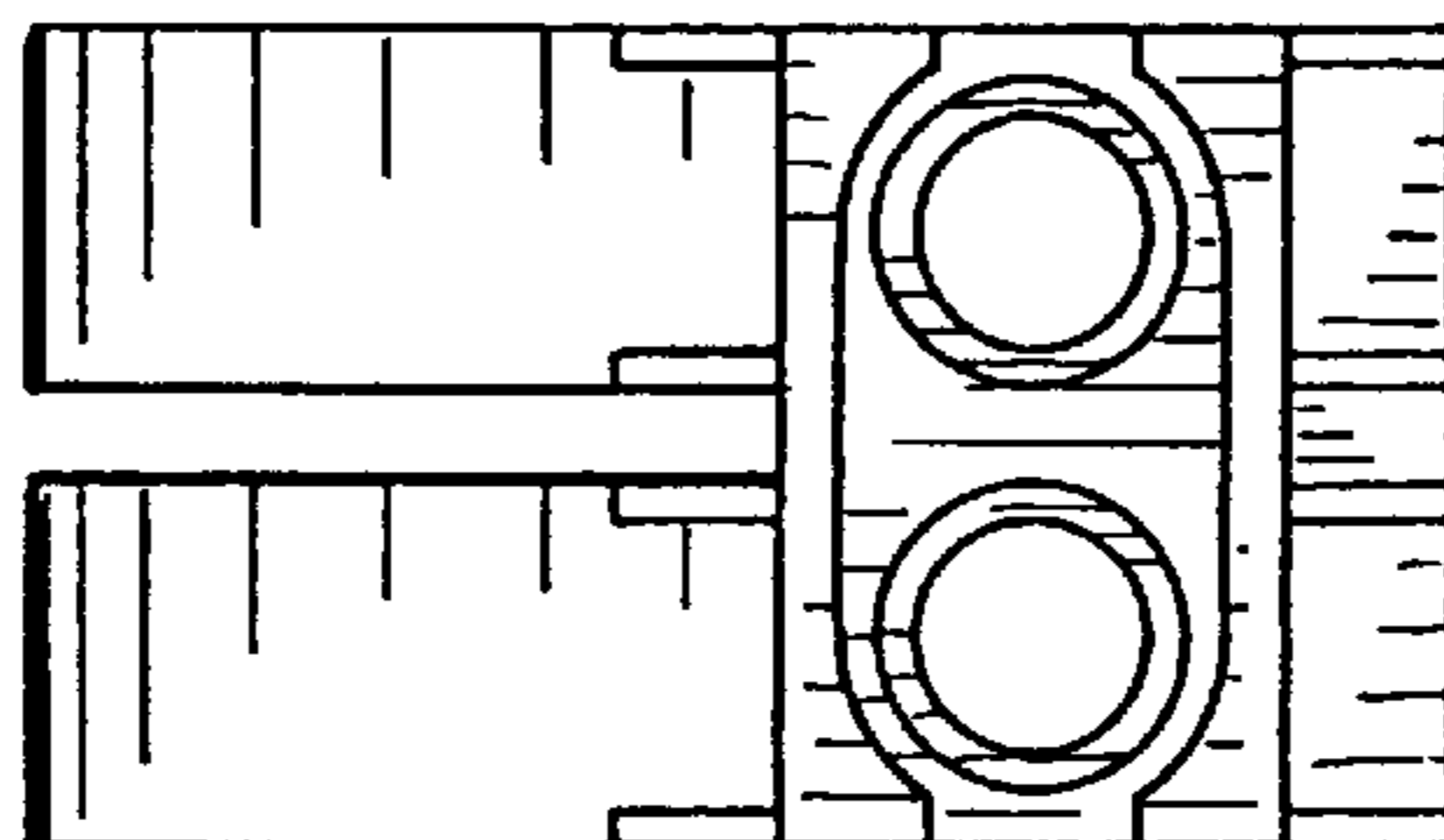


FIG. 4

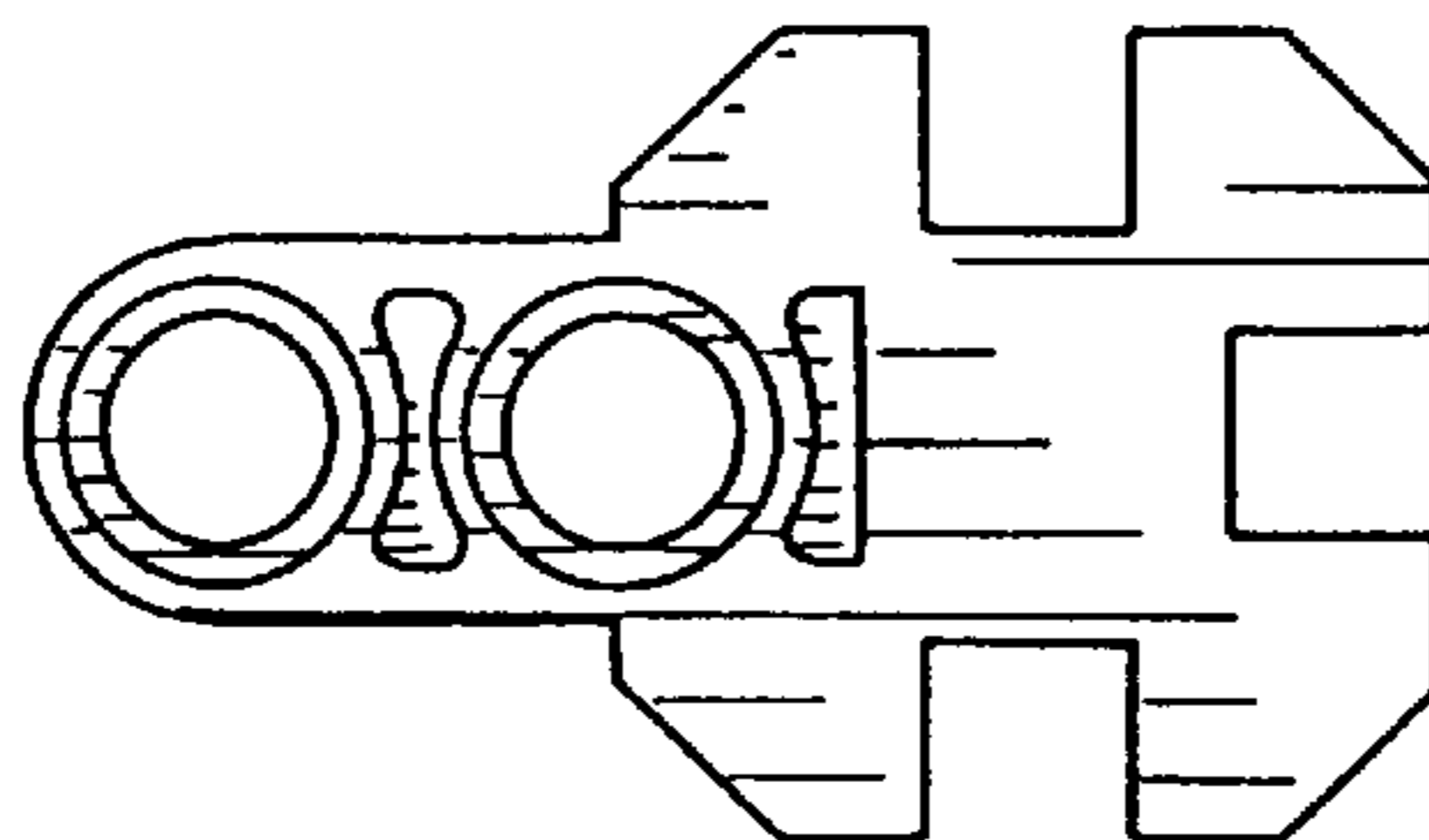


FIG. 6