



US00D409683S

United States Patent [19] Toft

[11] **Patent Number: Des. 409,683**

[45] **Date of Patent: ** May 11, 1999**

[54] **TOY BUILDING ELEMENT**

4,789,369 12/1988 Lyman 446/104

[75] Inventor: **Uffe K. Toft**, Aarhus, Denmark

Primary Examiner—Raphael Barkai
Attorney, Agent, or Firm—Kane,Dalsimer,Sullivan, Kurucz,
Levy, Eisele and Richard, LLP

[73] Assignee: **INTERLEGO AG**, Baar, Switzerland

[**] Term: **14 Years**

[57] CLAIM

[21] Appl. No.: **29/094,969**

The ornamental design for a toy building element, as shown and described.

[22] Filed: **Oct. 14, 1998**

DESCRIPTION

[51] **LOC (6) Cl.** **21-01**

[52] **U.S. Cl.** **D21/503**

[58] **Field of Search** D21/484-505;
446/85, 93-96, 102-104, 111, 116, 117,
120-121, 124, 125, 128

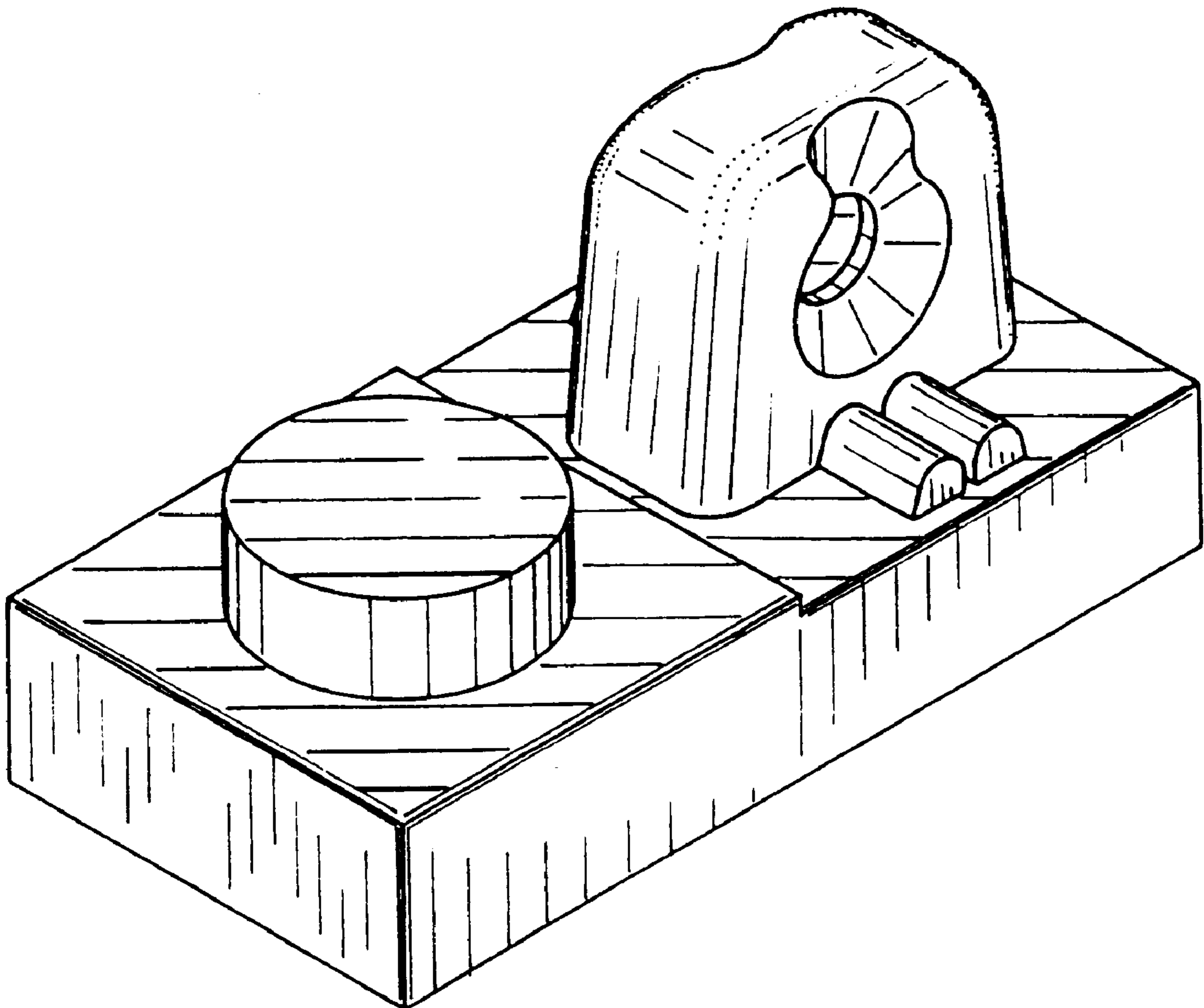
FIG. 1 is a top perspective view of the toy building element, FIG. 2 is a top plan view thereof, FIG. 3 is a front elevational view thereof, FIG. 4 is a bottom plan view thereof, FIG. 5 is a right side elevational view thereof, FIG. 6 is a left side elevational view thereof, FIG. 7 is rear elevational view thereof; and, FIG. 8 is a bottom perspective view thereof.

[56] References Cited

U.S. PATENT DOCUMENTS

D. 377,532 1/1997 Lin D21/500
D. 389,201 1/1998 Redler D21/500

1 Claim, 2 Drawing Sheets



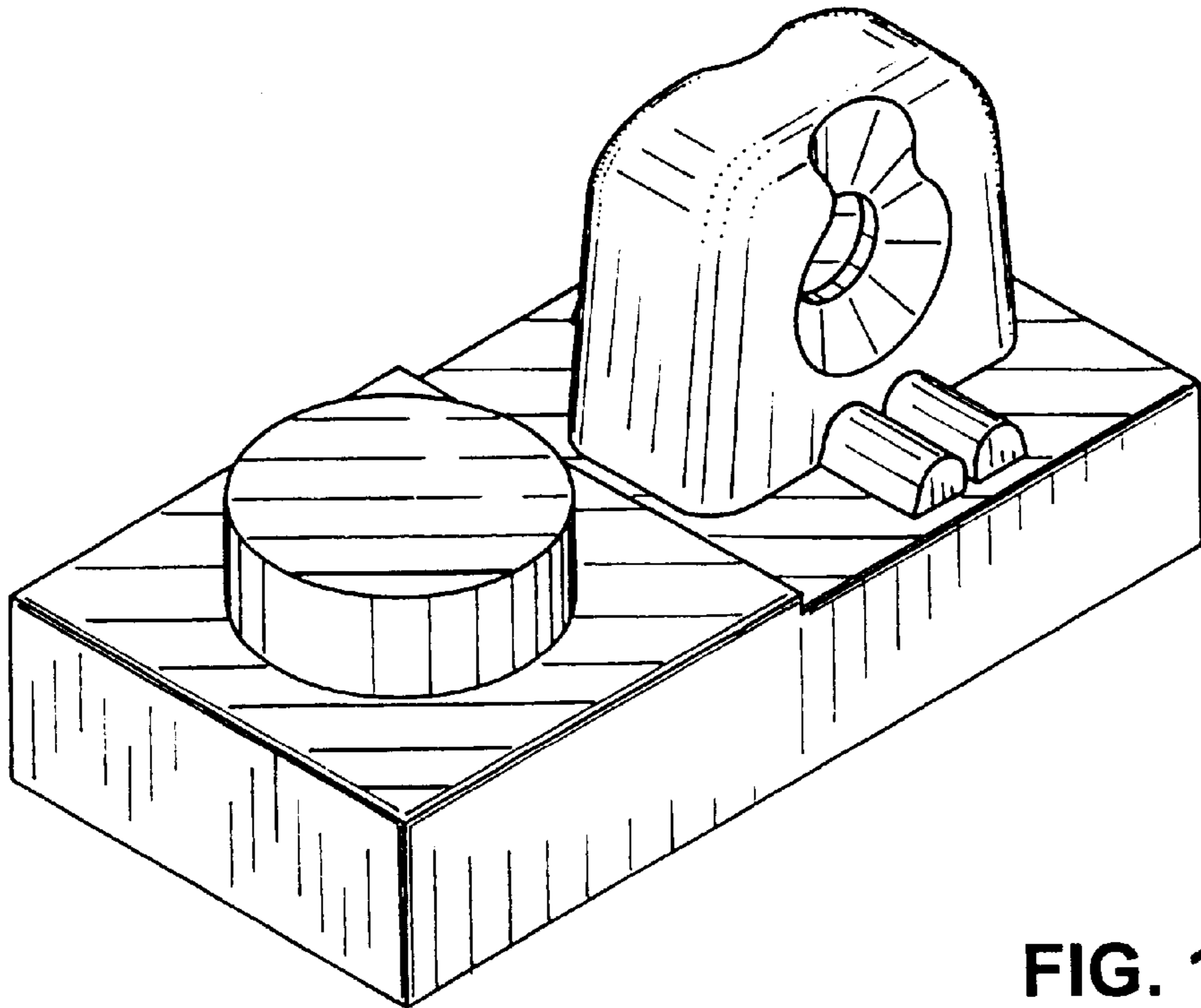


FIG. 1

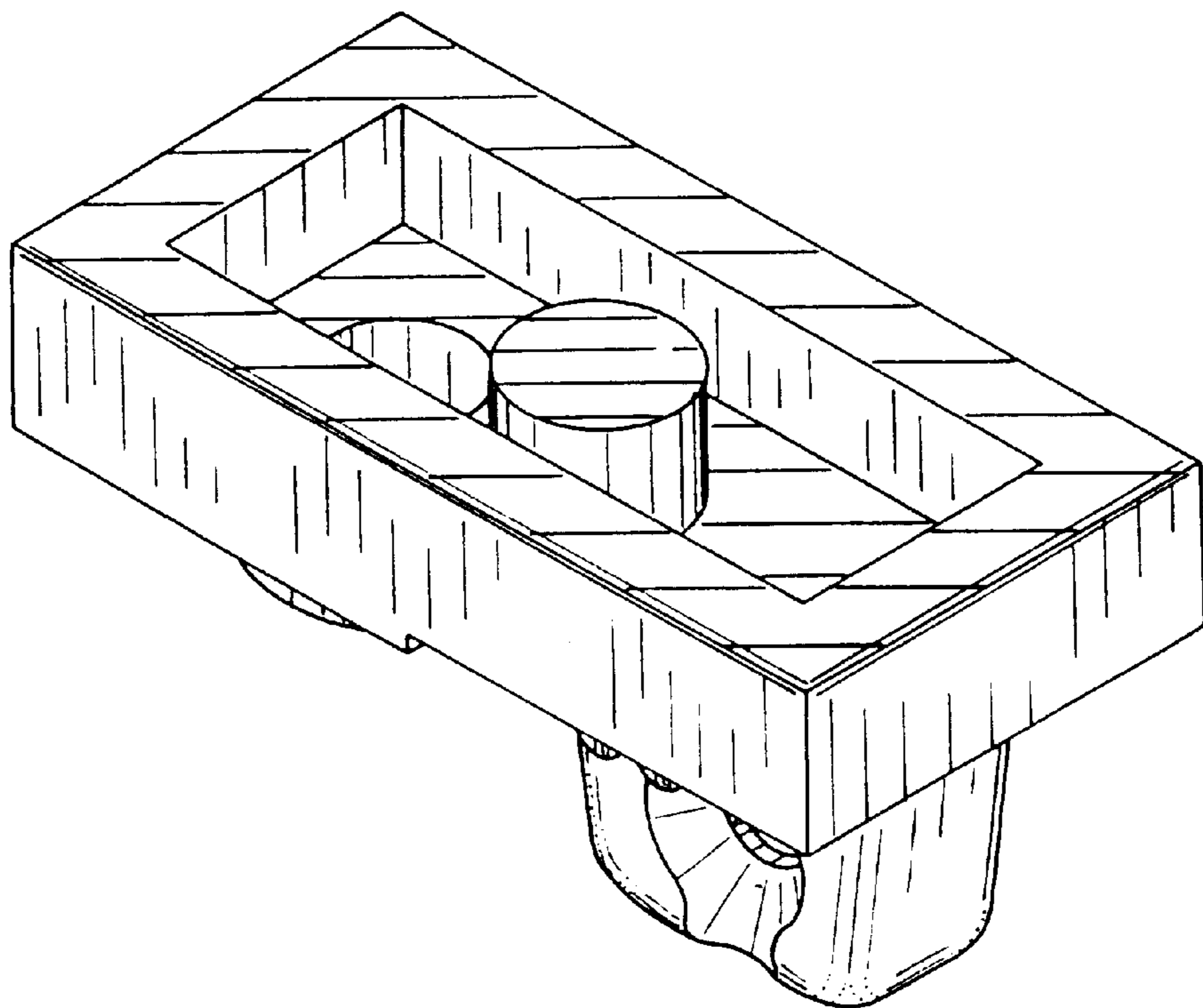


FIG. 8

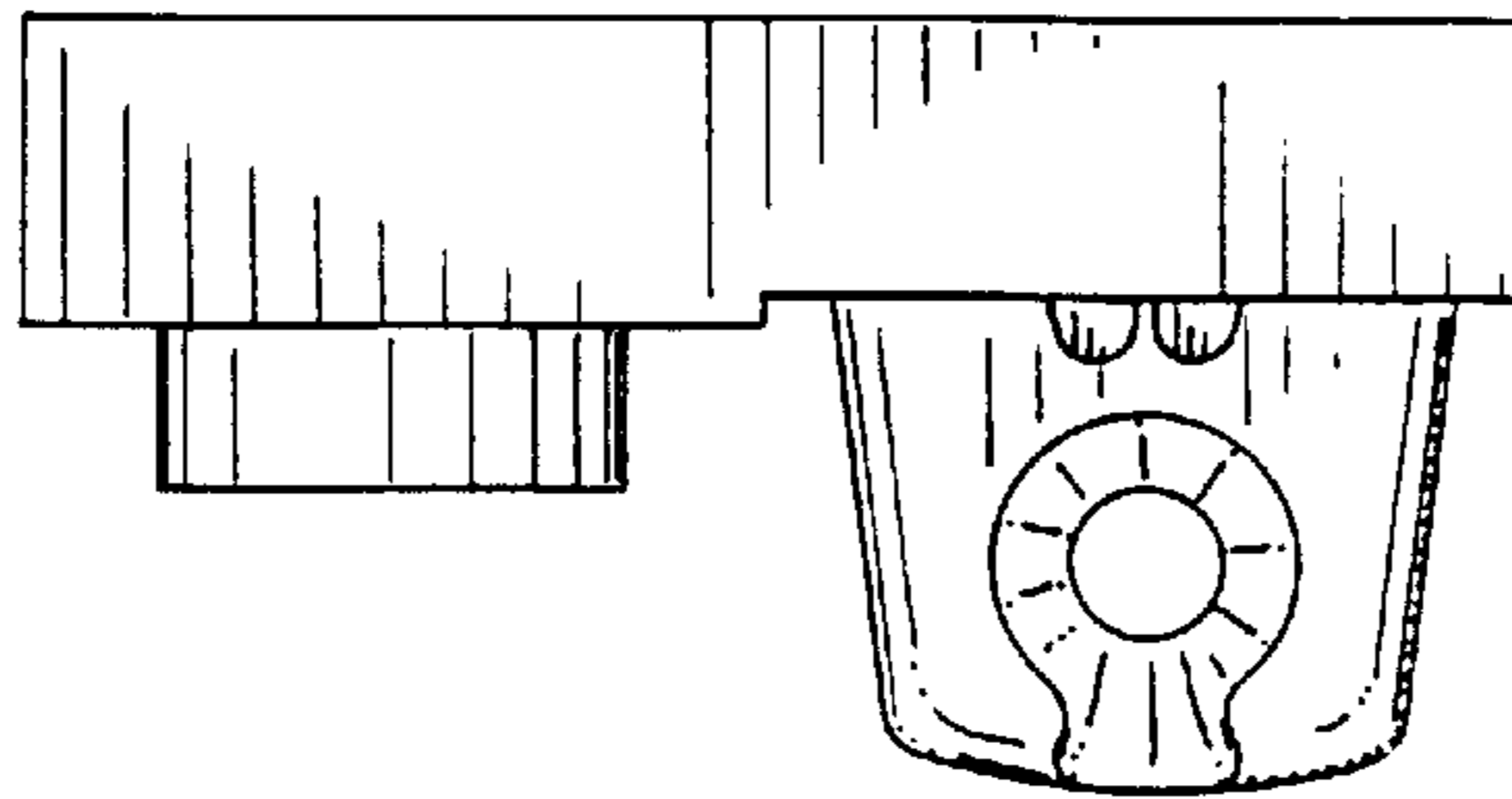


FIG. 7

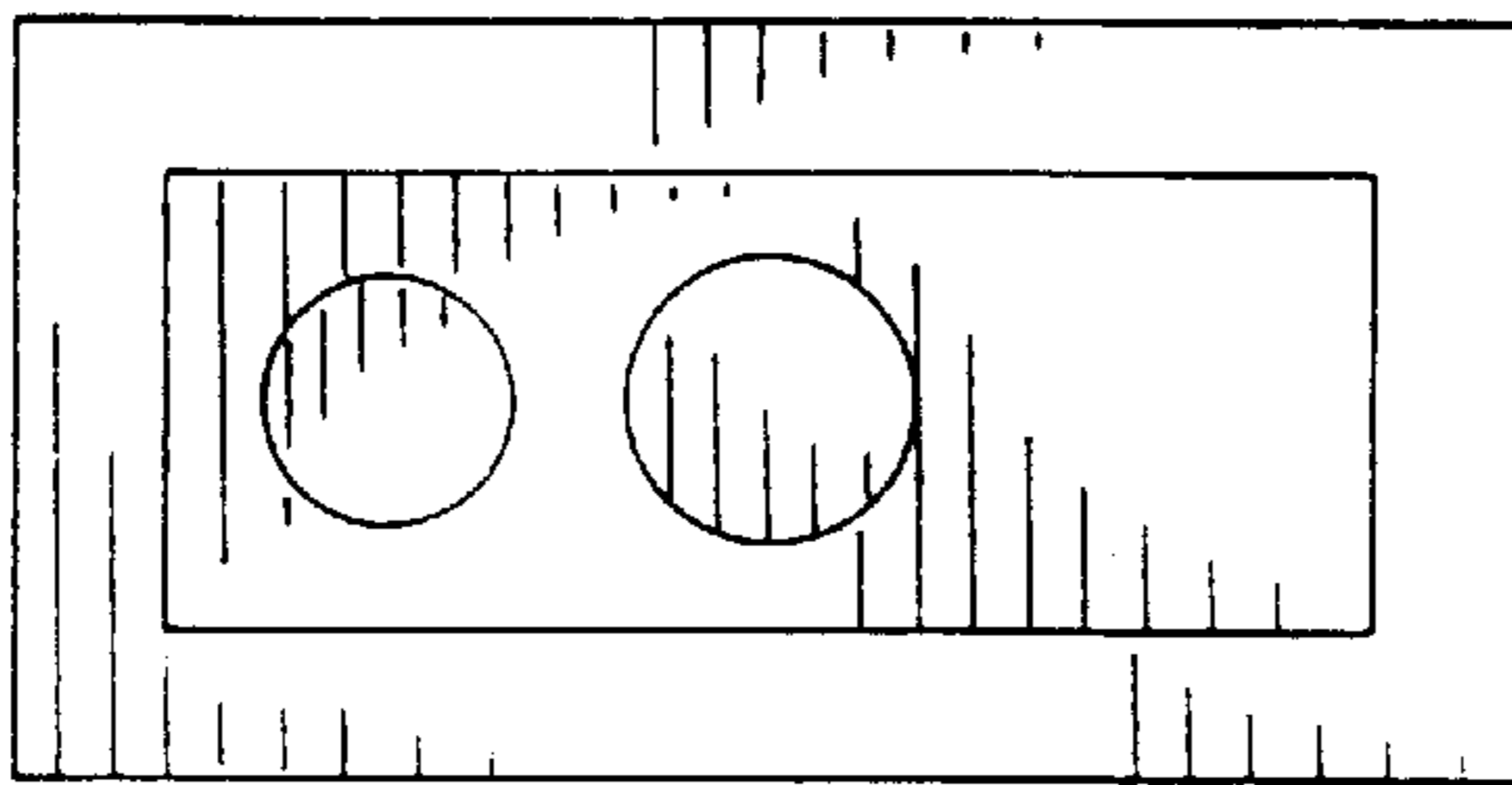


FIG. 4

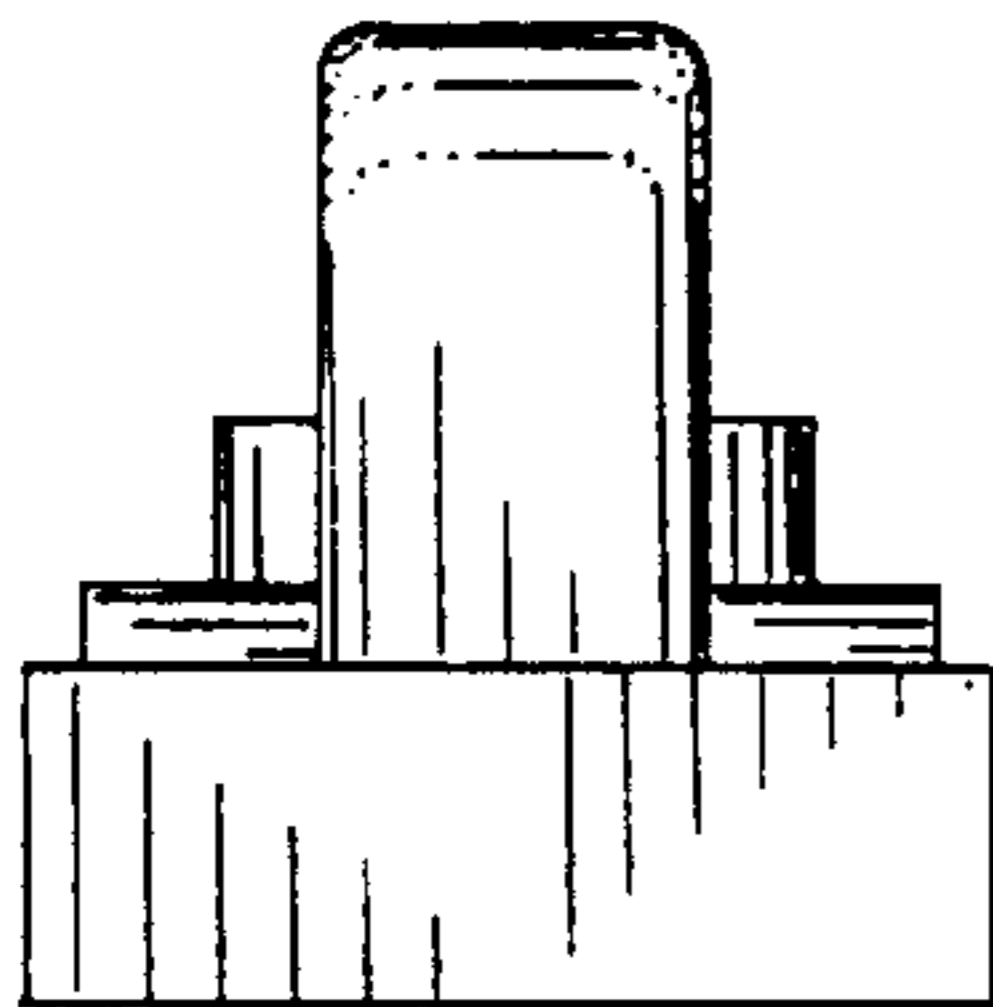


FIG. 5

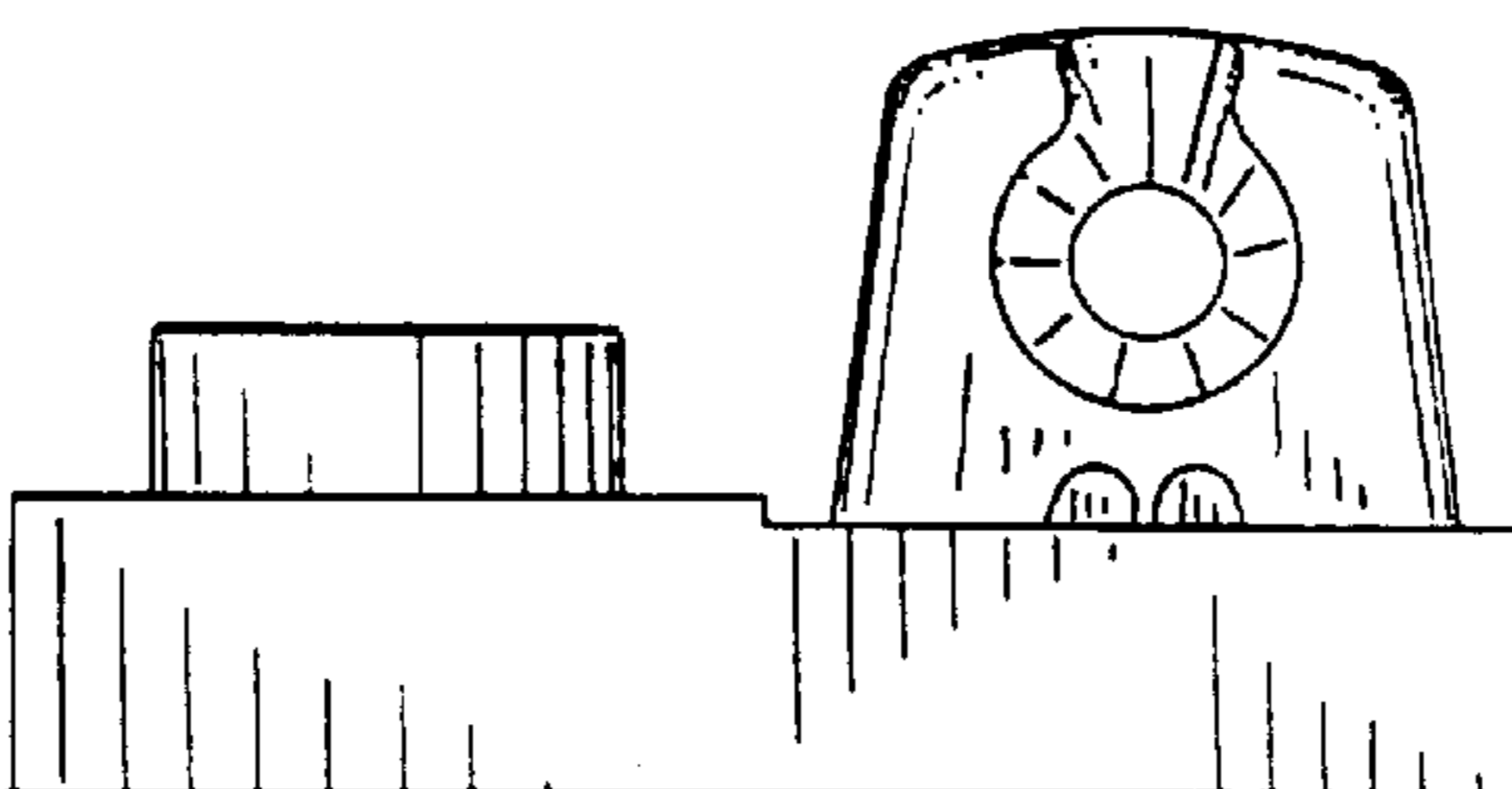


FIG. 3

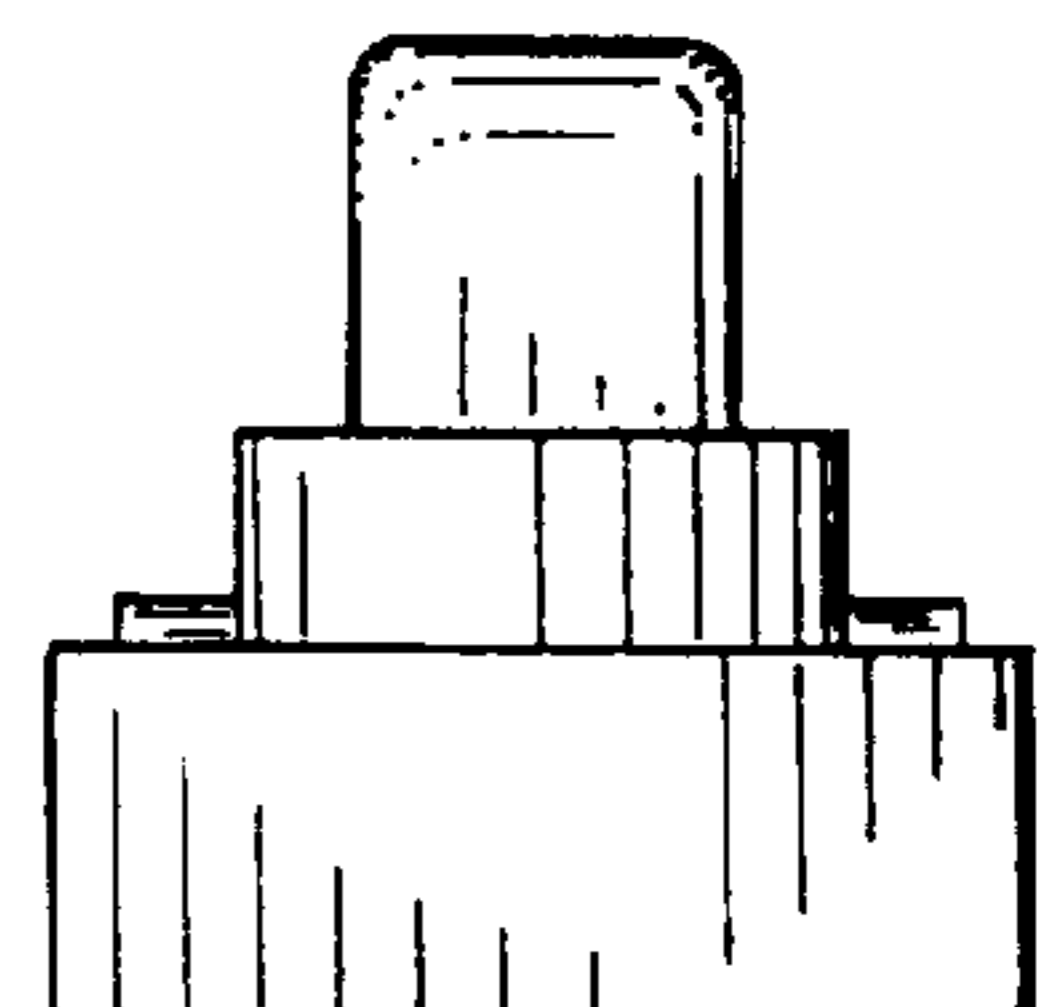


FIG. 6

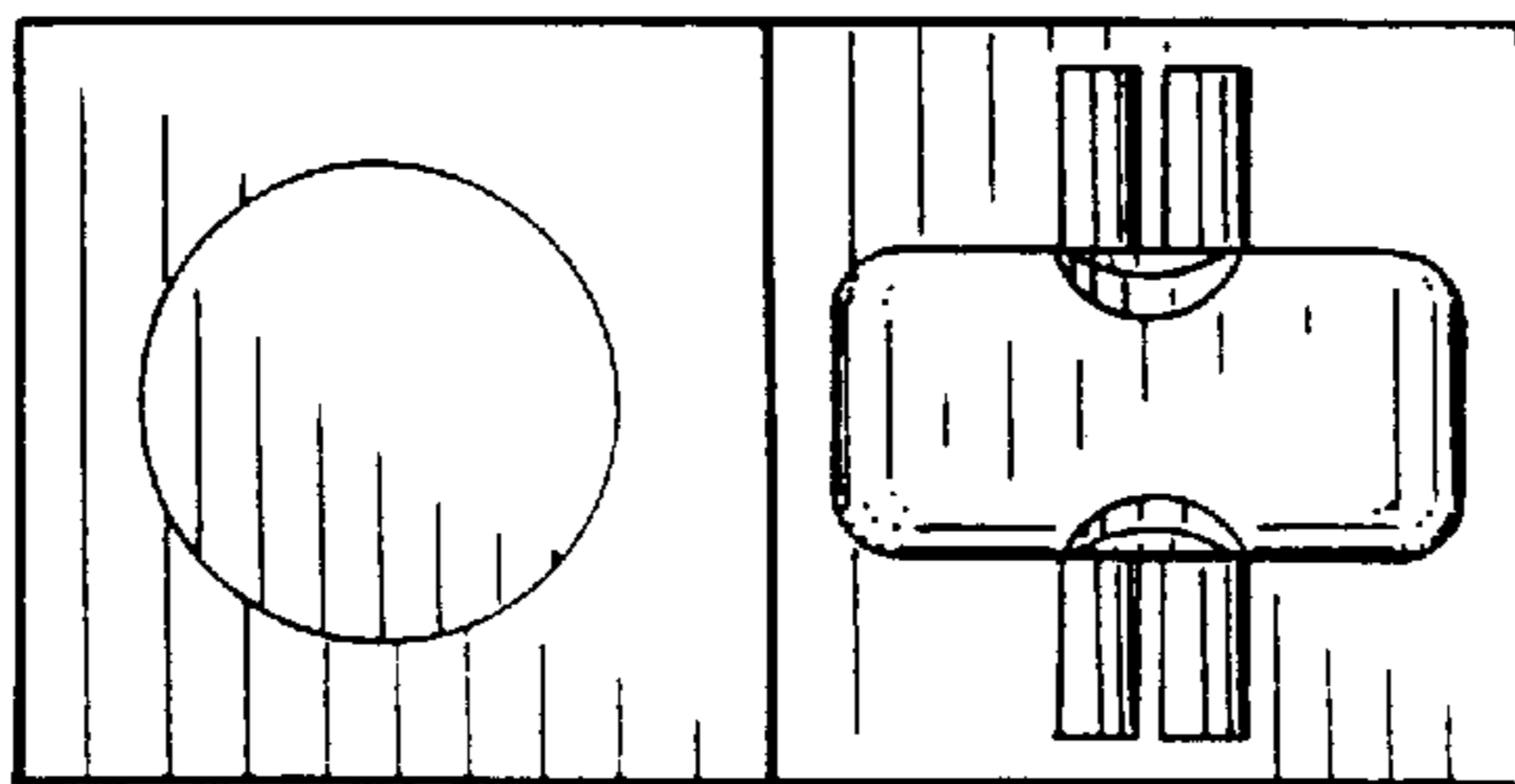


FIG. 2