



US00D409679S

United States Patent [19] Jensen

[11] Patent Number: **Des. 409,679**

[45] Date of Patent: **** May 11, 1999**

[54] **TOY BUILDING ELEMENT**

[75] Inventor: **Jens Laulund Jensen**, Billund,
Denmark

[73] Assignee: **INTERLEGO AG**, Baar, Switzerland

[**] Term: **14 Years**

[21] Appl. No.: **29/093,721**

[22] Filed: **Sep. 17, 1998**

[30] Foreign Application Priority Data

Mar. 18, 1998 [DK] Denmark MA 297 1998

[51] **LOC (6) Cl.** **21-01**

[52] **U.S. Cl.** **D21/501**

[58] **Field of Search** D21/483-505;
D25/113-118; 446/85, 93-96, 102-107,
110, 111-113, 120-122, 124, 128; 52/592.1,
604, 606, 607

[56] References Cited

U.S. PATENT DOCUMENTS

D. 159,255 7/1950 Decker, Sr. et al. D25/114

D. 175,392	8/1955	Clanton	D21/501
2,861,388	11/1958	Favaretto	D21/501
4,107,894	8/1978	Mullins	52/606
4,306,373	12/1981	Chatani et al.	446/124
4,690,656	9/1987	Friedman et al.	446/95
5,427,559	6/1995	Glickman et al.	446/103

Primary Examiner—Raphael Barkai
Attorney, Agent, or Firm—Kane,Dalsimer,Sullivan, Kurucz,
Levy, Eisele and Richard, LLP

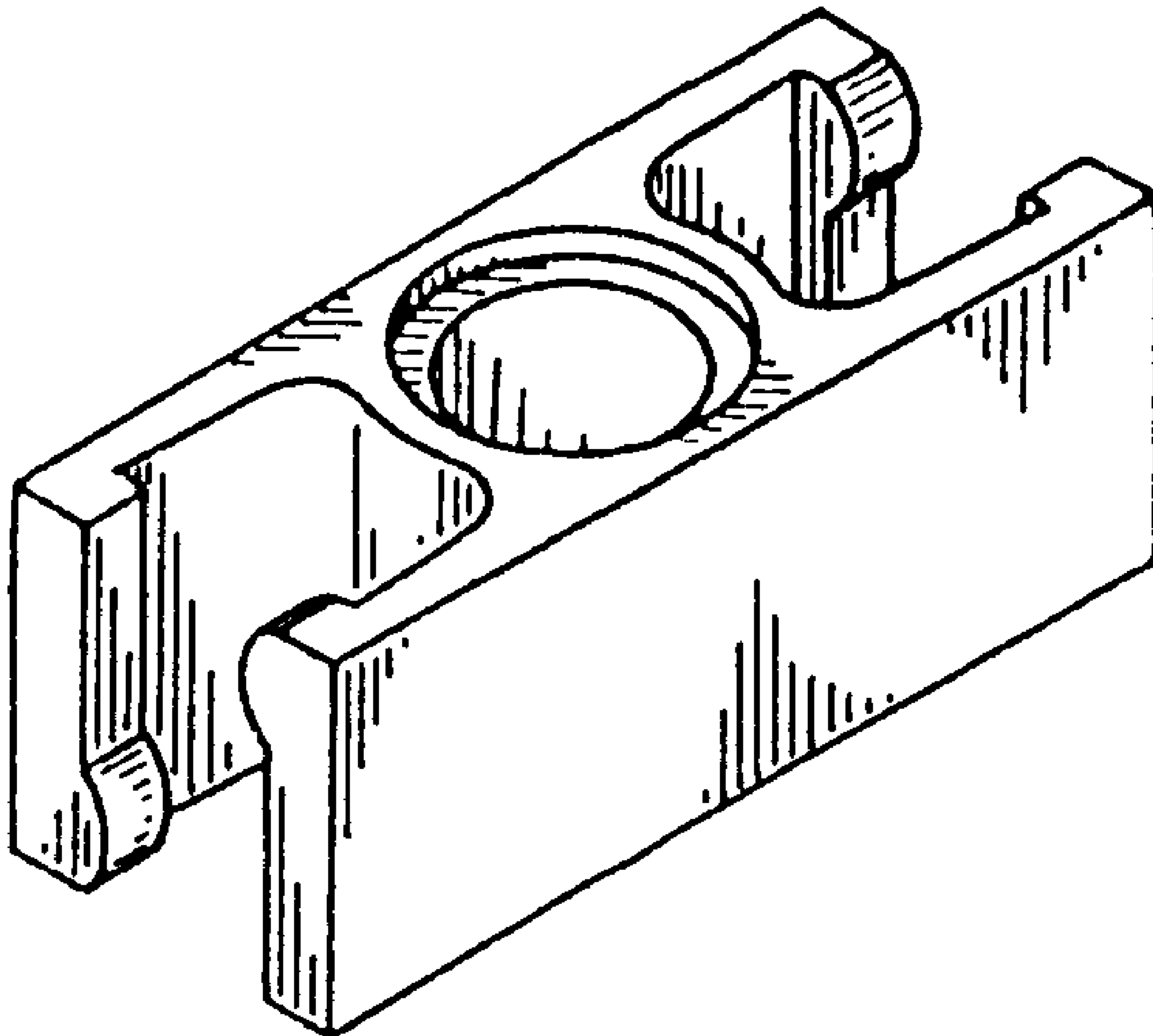
[57] CLAIM

The ornamental design for a toy building element, as shown and described.

DESCRIPTION

FIG. 1 is a top perspective view of the toy building element, FIG. 2 is a top plan view thereof, FIG. 3 is a front elevational view thereof, FIG. 4 is a bottom plan view thereof, FIG. 5 is a right side elevational view thereof, FIG. 6 is a left side elevational view thereof, FIG. 7 is a rear elevational view thereof; and, FIG. 8 is a bottom perspective view thereof.

1 Claim, 1 Drawing Sheet



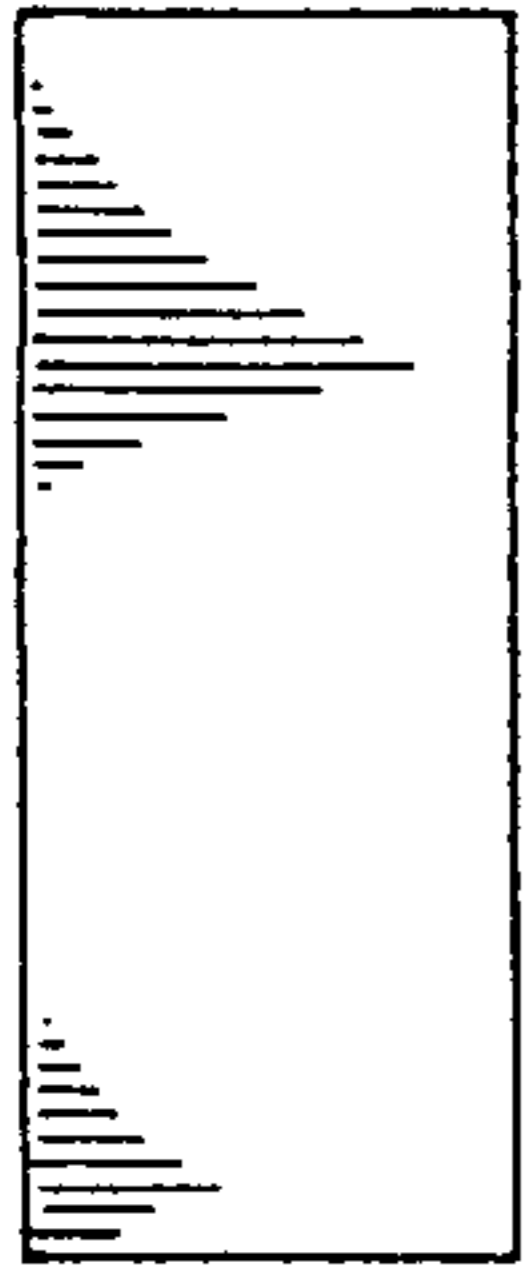


FIG. 7

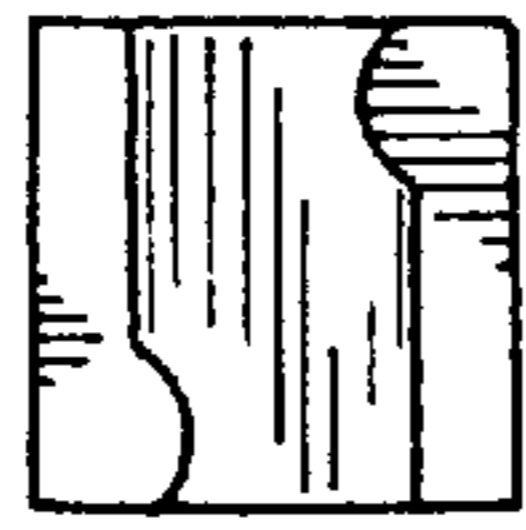


FIG. 6

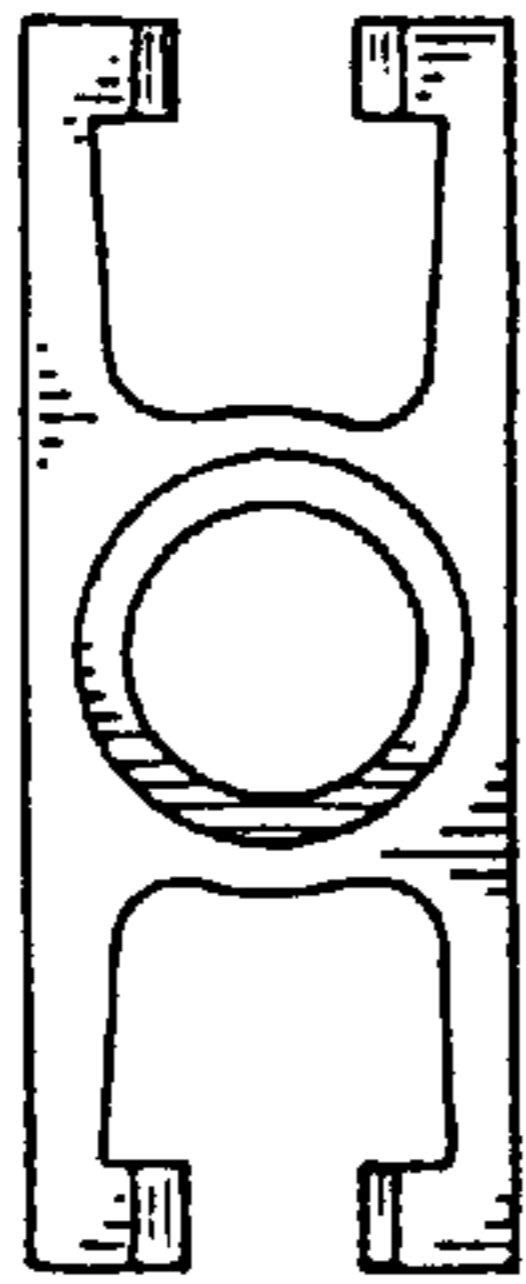


FIG. 2

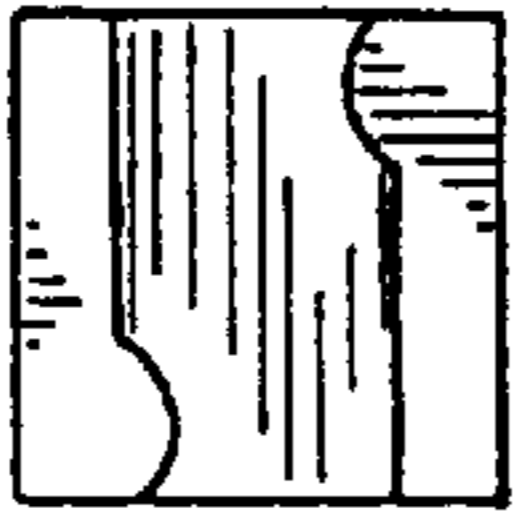


FIG. 5

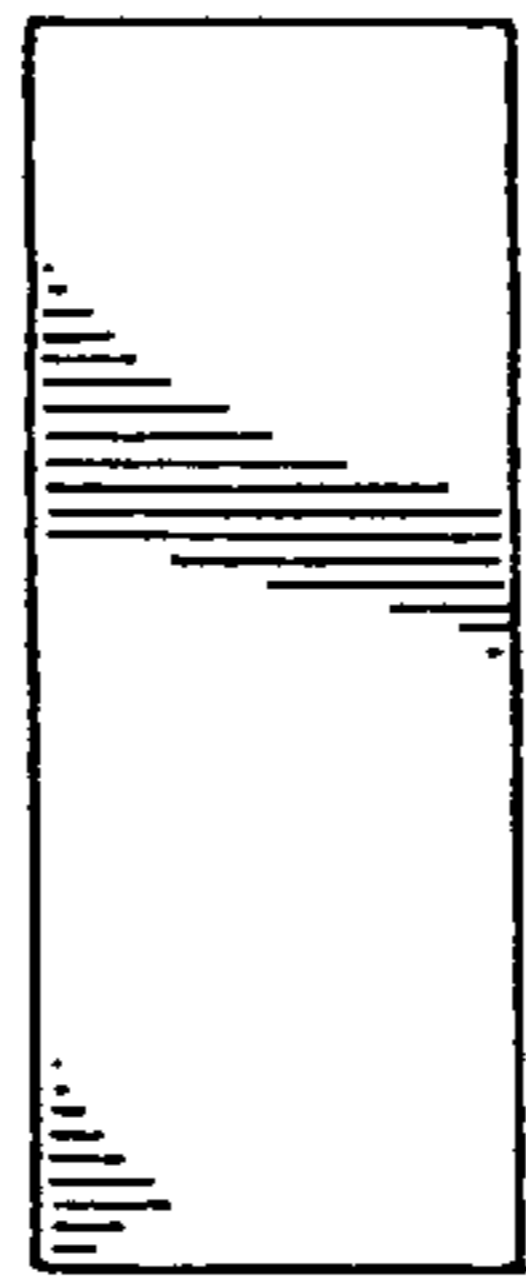


FIG. 3

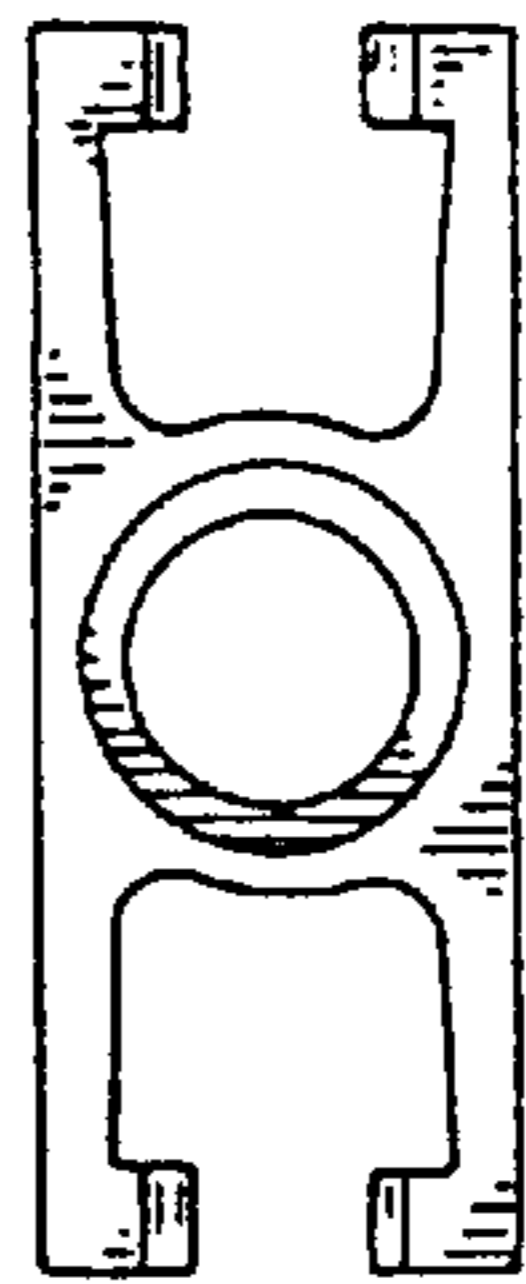


FIG. 4

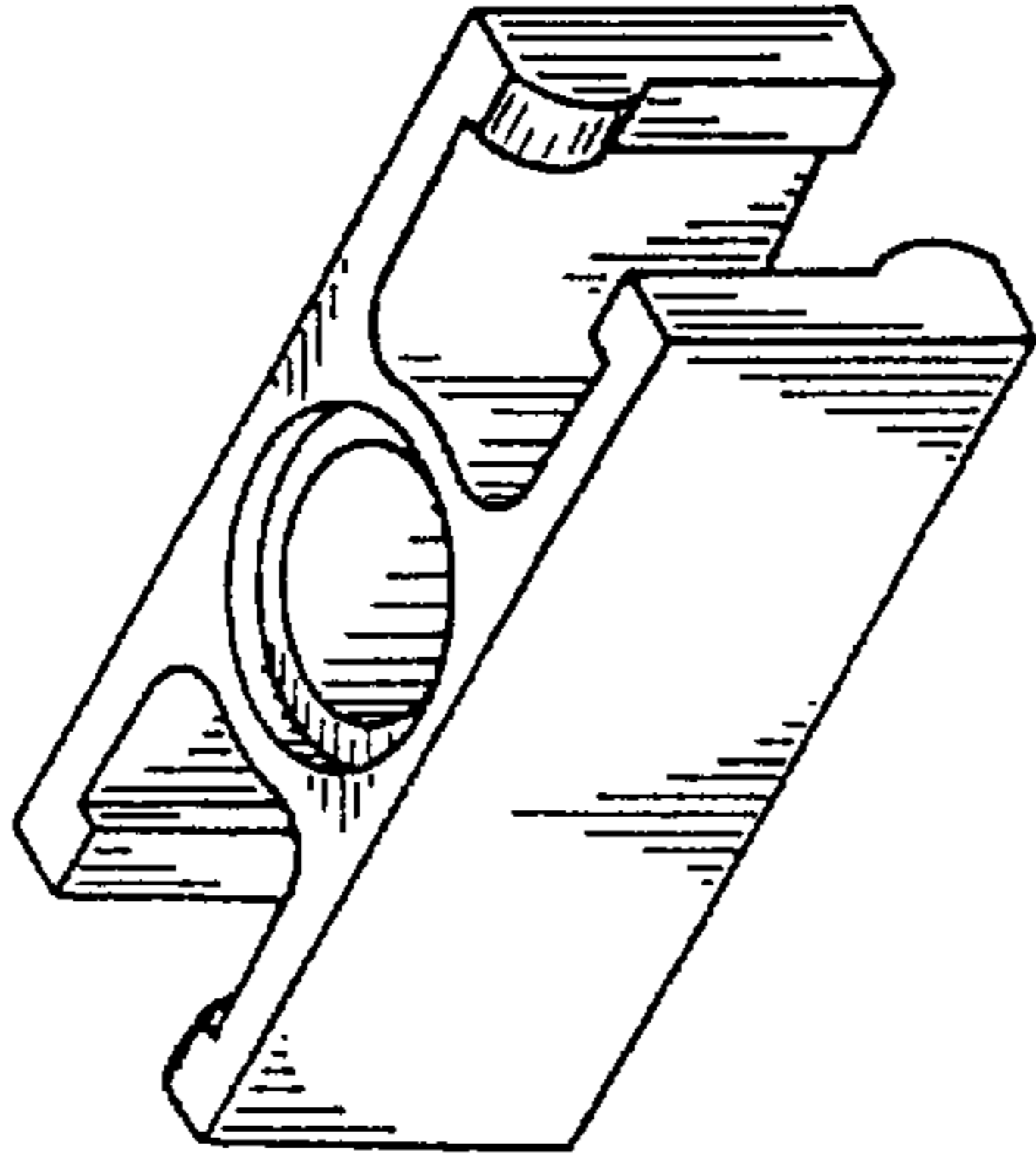


FIG. 8

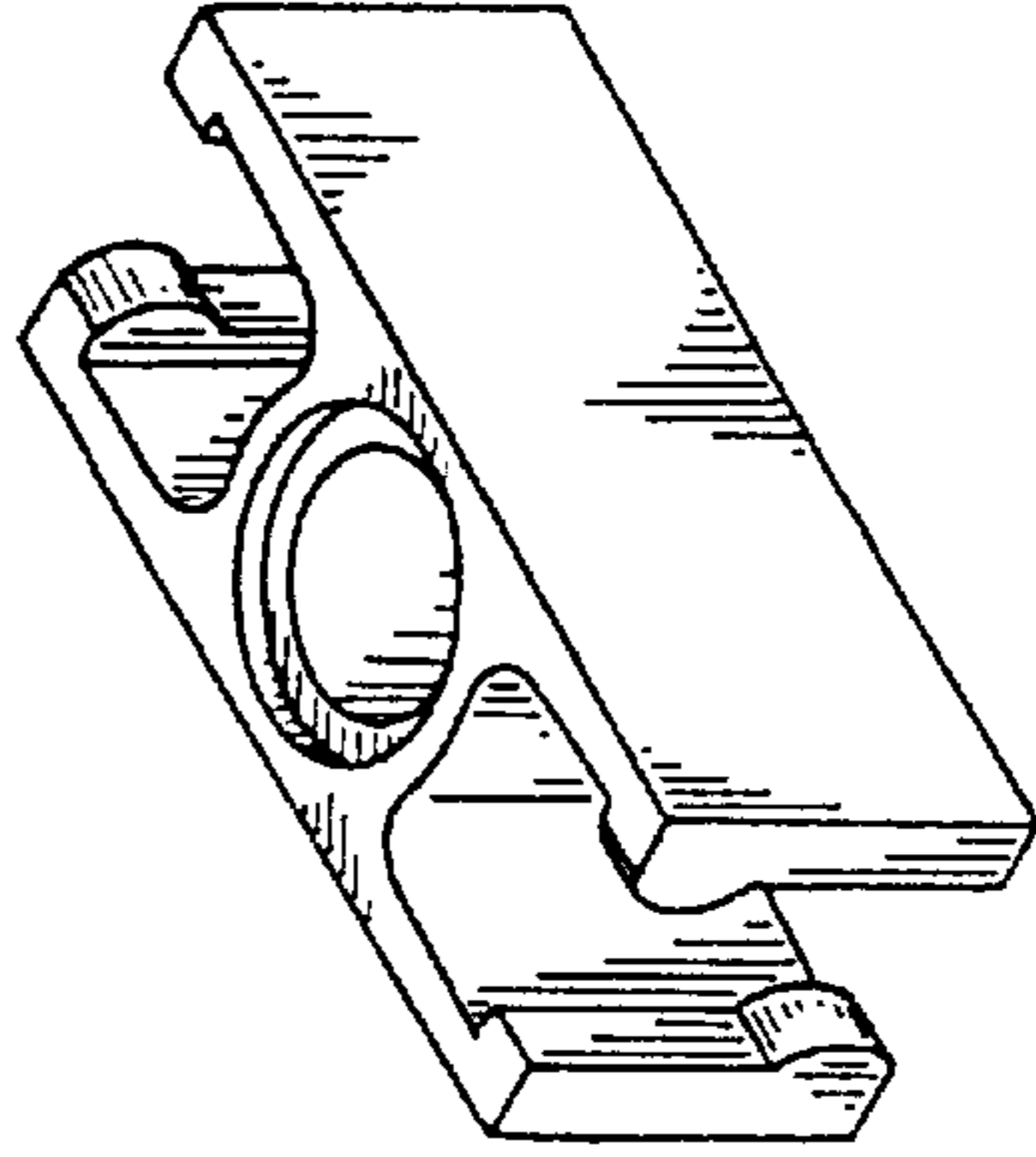


FIG. 1