



US00D409678S

# United States Patent [19] Toft

[11] **Patent Number: Des. 409,678**

[45] **Date of Patent: \*\* May 11, 1999**

[54] **TOY BUILDING ELEMENT**

[75] Inventor: **Uffe K. Toft**, Aarhus C, Denmark

[73] Assignee: **INTERLEGO AG**, Baar, Switzerland

[\*\*] Term: **14 Years**

[21] Appl. No.: **29/094,996**

[22] Filed: **Oct. 14, 1998**

[51] **LOC (6) Cl.** ..... **21-01**

[52] **U.S. Cl.** ..... **D21/488; D21/487; D21/503**

[58] **Field of Search** ..... D21/484-505,  
D21/506-510; 446/85, 102, 104, 105, 106,  
117, 120-125, 128

[56] **References Cited**

**U.S. PATENT DOCUMENTS**

D. 311,935 11/1990 Andersen ..... D21/487

D. 359,998 7/1995 Knudsen ..... D21/504

D. 360,239 7/1995 Knudsen ..... D21/504

D. 395,682 6/1998 Bartholdy et al. .... D21/484

*Primary Examiner*—Raphael Barkai

*Attorney, Agent, or Firm*—Kane,Dalsimer,Sullivan, Kurucz,  
Levy, Eisele and Richard, LLP

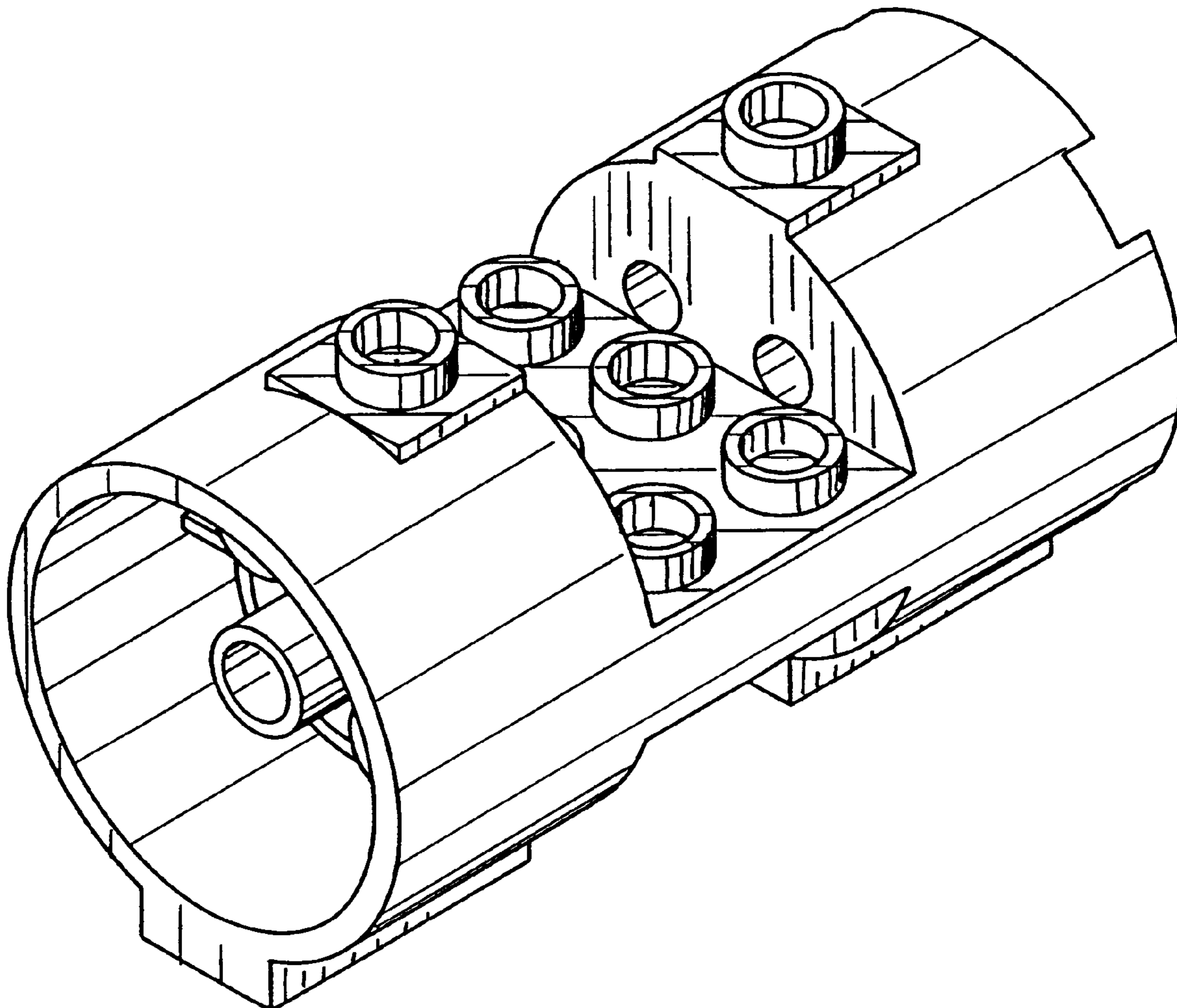
[57] **CLAIM**

The ornamental design for a toy building element, as shown and described.

**DESCRIPTION**

FIG. 1 is a top perspective view of the toy building element, FIG. 2 is a top plan view thereof, FIG. 3 is a front elevational view thereof, FIG. 4 is a bottom plan view thereof, FIG. 5 is a right side elevational view thereof, FIG. 6 is a left side elevational view thereof, FIG. 7 is a rear elevational view thereof; and, FIG. 8 is a bottom perspective view thereof.

**1 Claim, 3 Drawing Sheets**



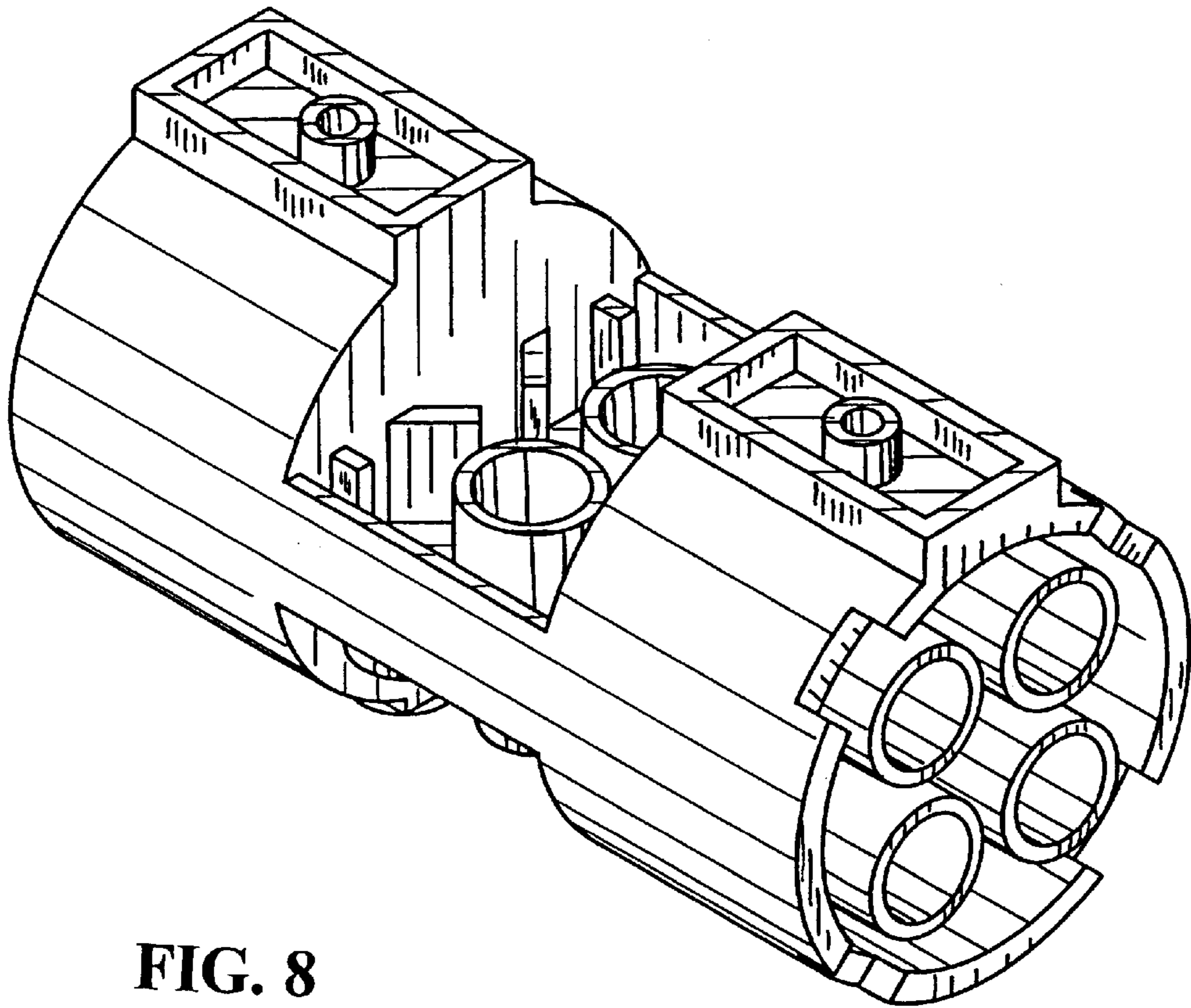


FIG. 8

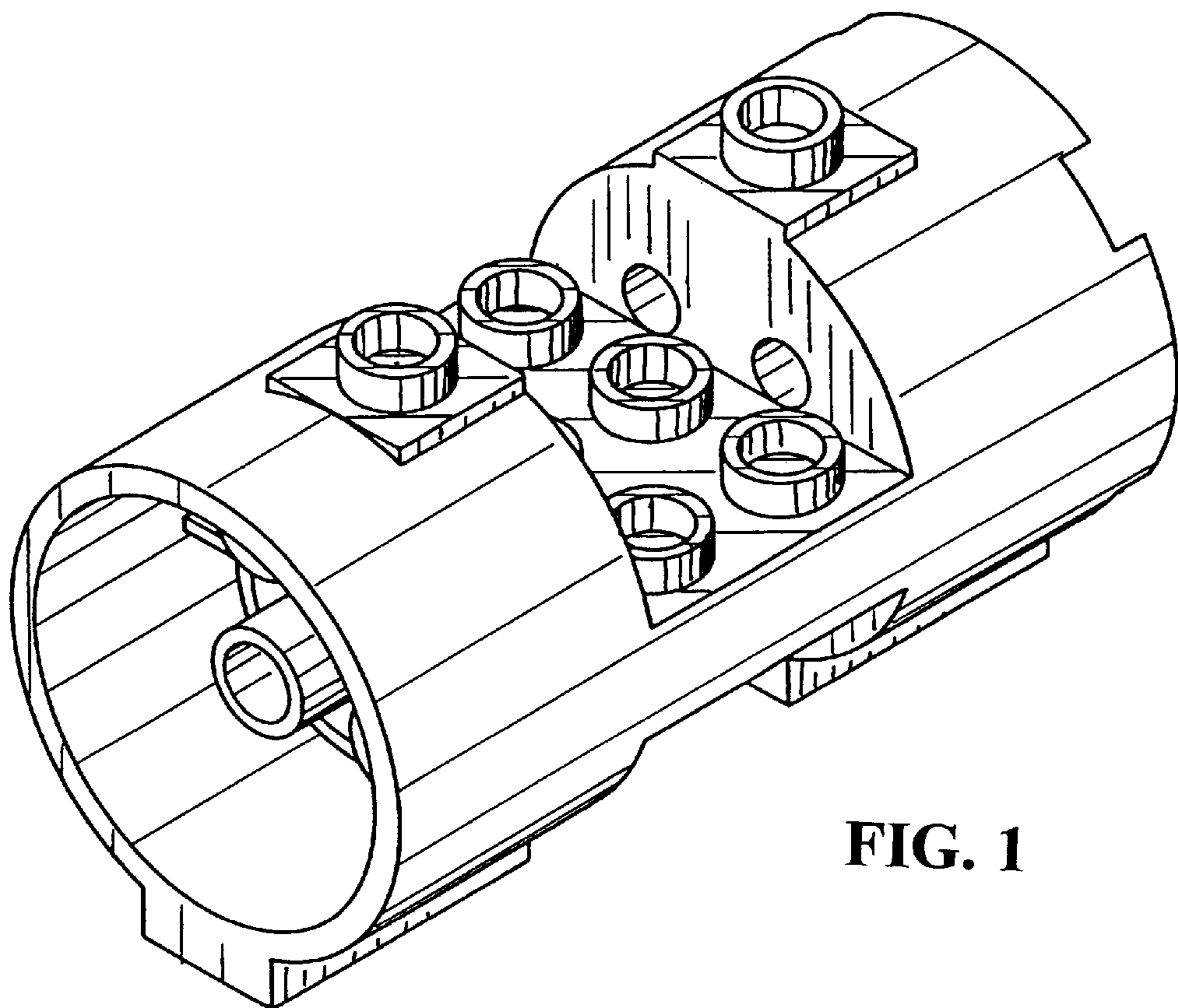


FIG. 1

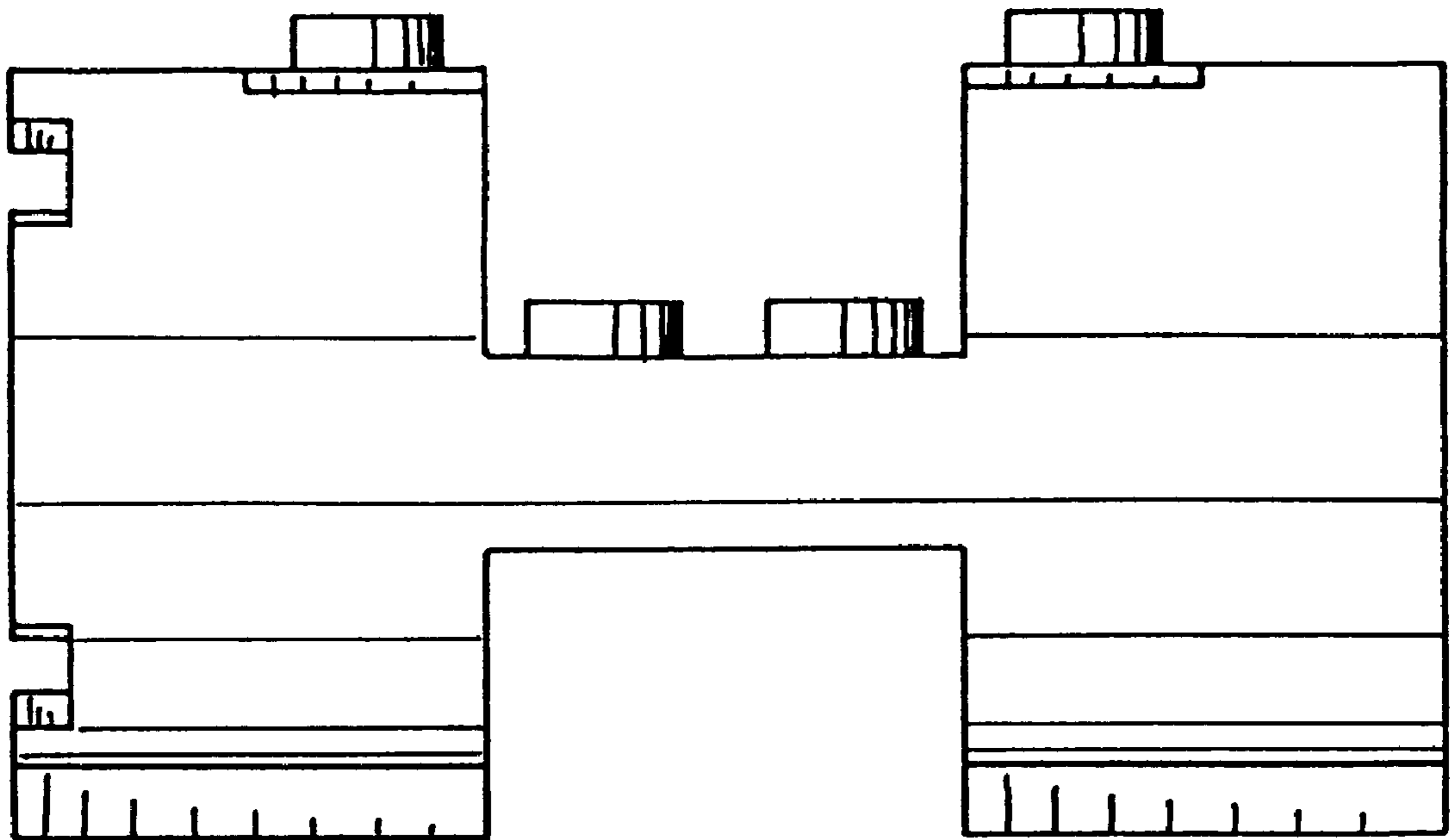


FIG. 5

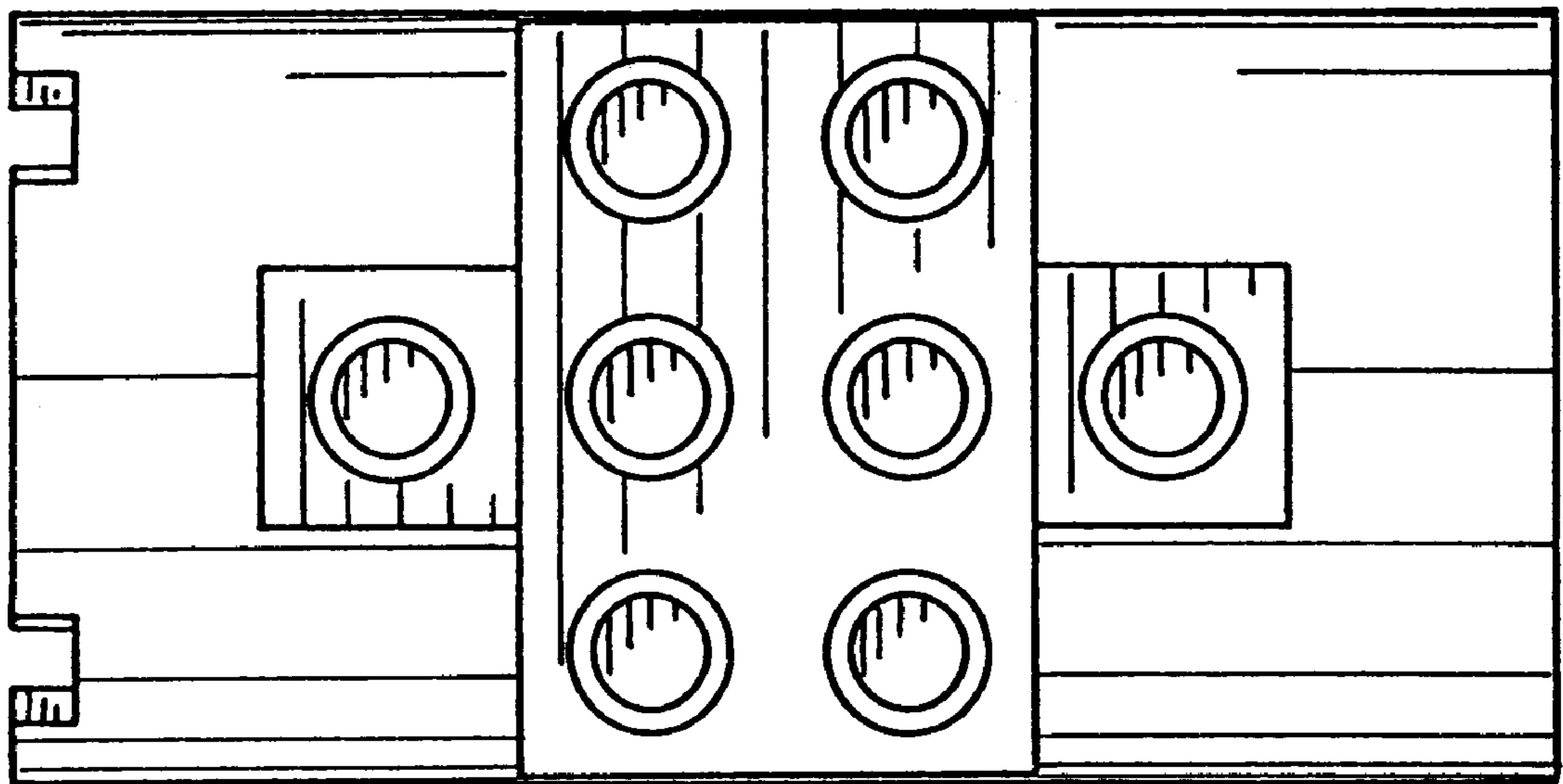


FIG. 2

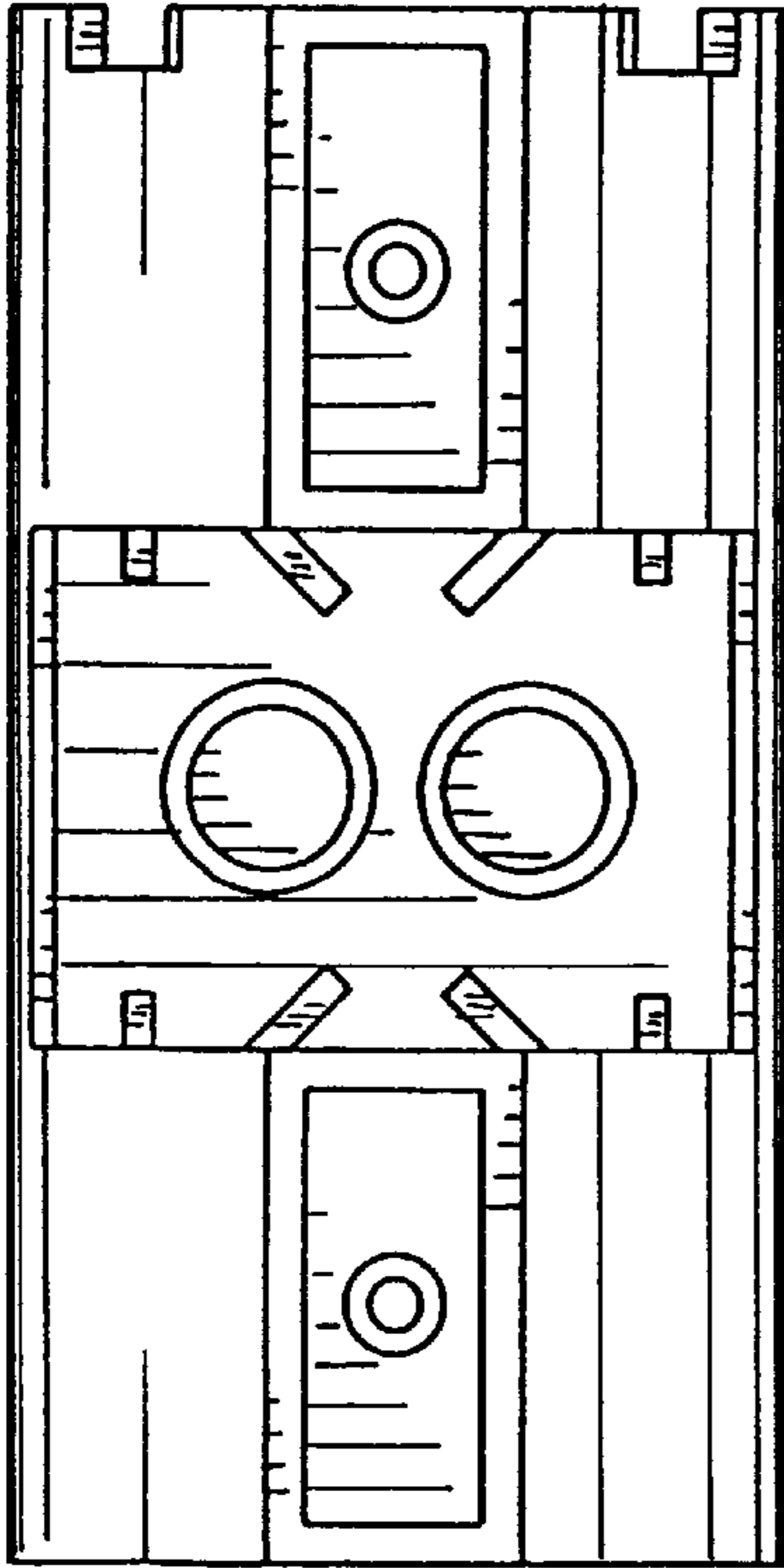


FIG. 4

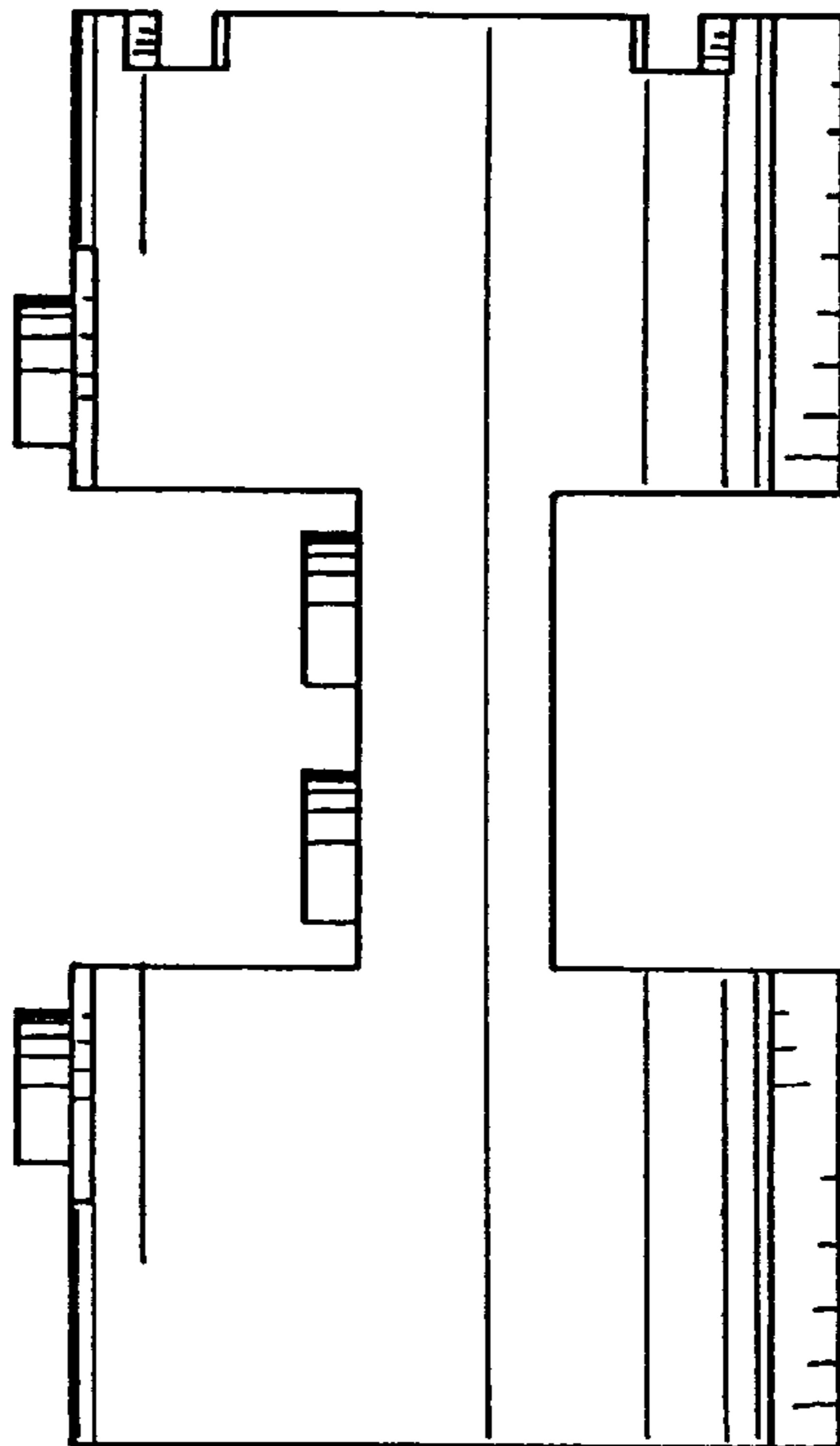


FIG. 6

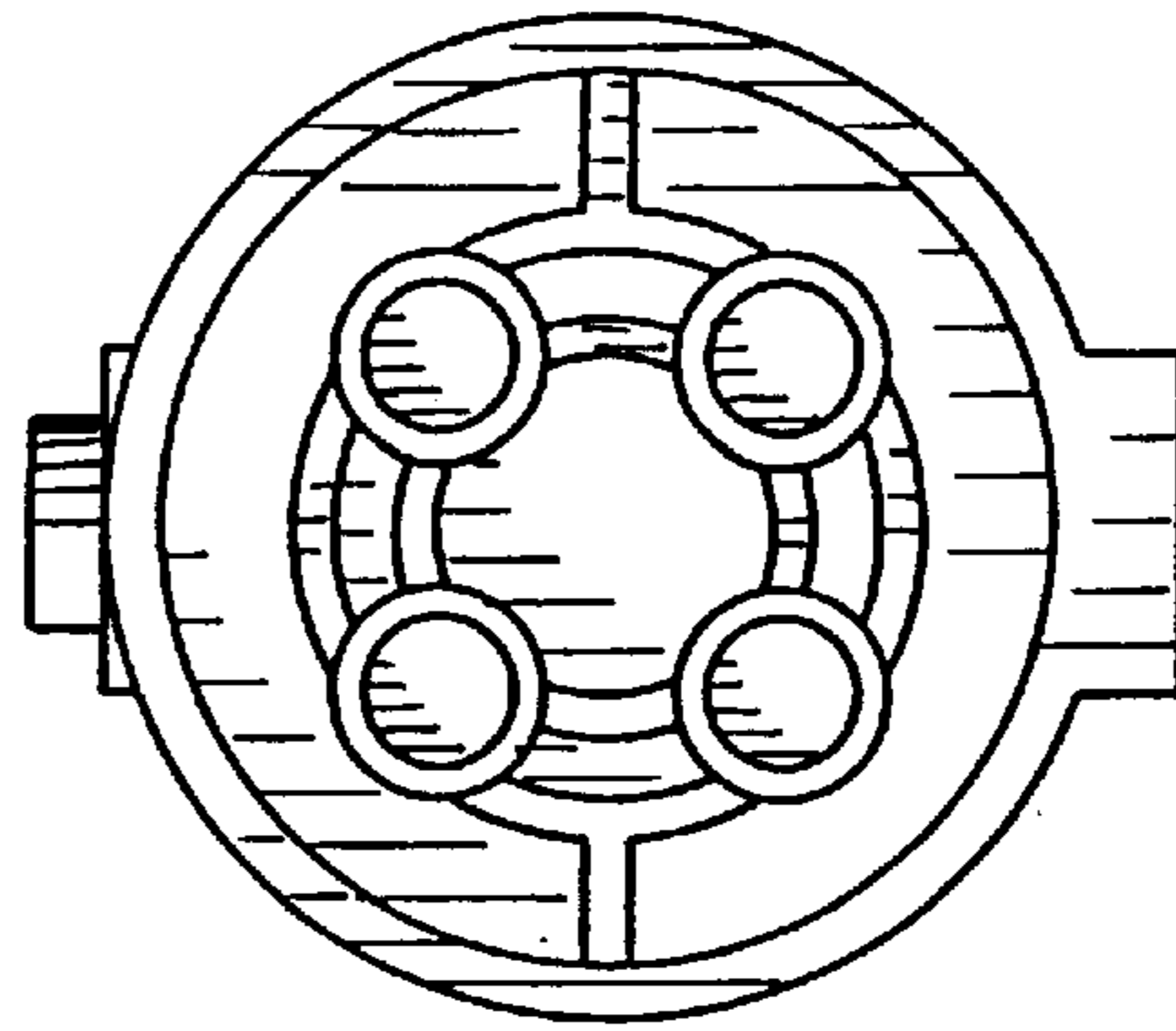


FIG. 3

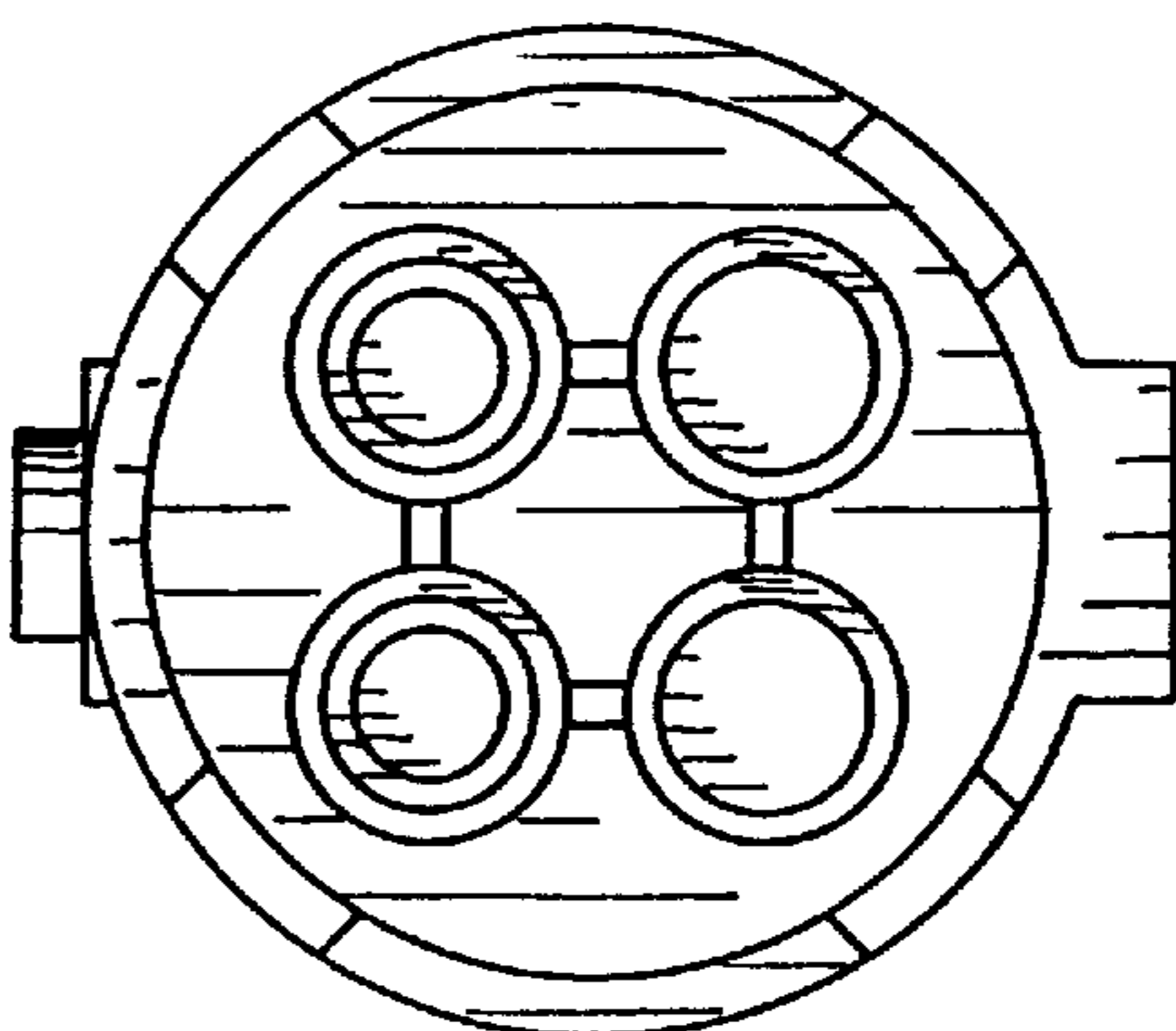


FIG. 7