



US00D409676S

United States Patent [19] Toft

[11] **Patent Number: Des. 409,676**

[45] **Date of Patent: ** May 11, 1999**

[54] **TOY BUILDING ELEMENT**

[75] Inventor: **Uffe K. Toft**, Aarhus, Denmark

[73] Assignee: **INTERLEGO, AG**, Baar, Switzerland

[**] Term: **14 Years**

[21] Appl. No.: **29/095,031**

[22] Filed: **Oct. 14, 1998**

[51] **LOC (6) Cl.** **21-01**

[52] **U.S. Cl.** **D21/486**

[58] **Field of Search** D21/484-505,
D21/561; 446/85, 120-125, 128

[56] **References Cited**

U.S. PATENT DOCUMENTS

- D. 244,307 5/1977 Maddestra et al. D21/486
- D. 246,927 1/1978 Christiansen D21/486
- D. 290,627 6/1987 Dideriksen D21/486

D. 375,983 11/1996 Olsen D21/504

Primary Examiner—Raphael Barkai
Attorney, Agent, or Firm—Kane, Dalsimer, Sullivan,
Kurucz, Levy, Eisele and Richard, LLP

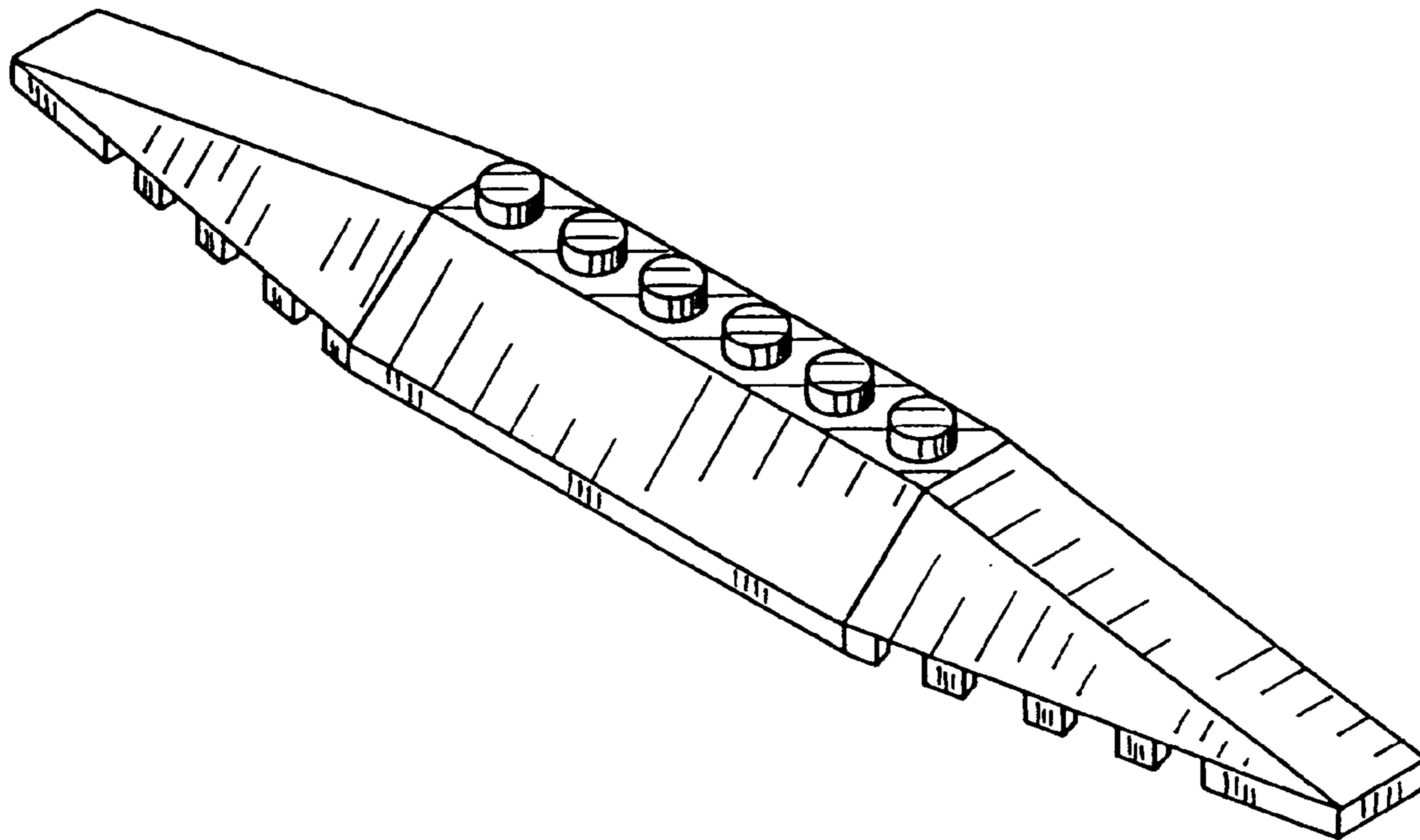
[57] **CLAIM**

The ornamental design for a toy building element, as shown and described.

DESCRIPTION

FIG. 1 is a top perspective view of the toy building element, FIG. 2 is a top plan view thereof, FIG. 3 is a front elevational view thereof, FIG. 4 is a bottom plan view thereof, FIG. 5 is a right side elevational view thereof, FIG. 6 is a left side elevational view thereof, FIG. 7 is rear elevational view thereof; and, FIG. 8 is a bottom perspective view thereof.

1 Claim, 2 Drawing Sheets



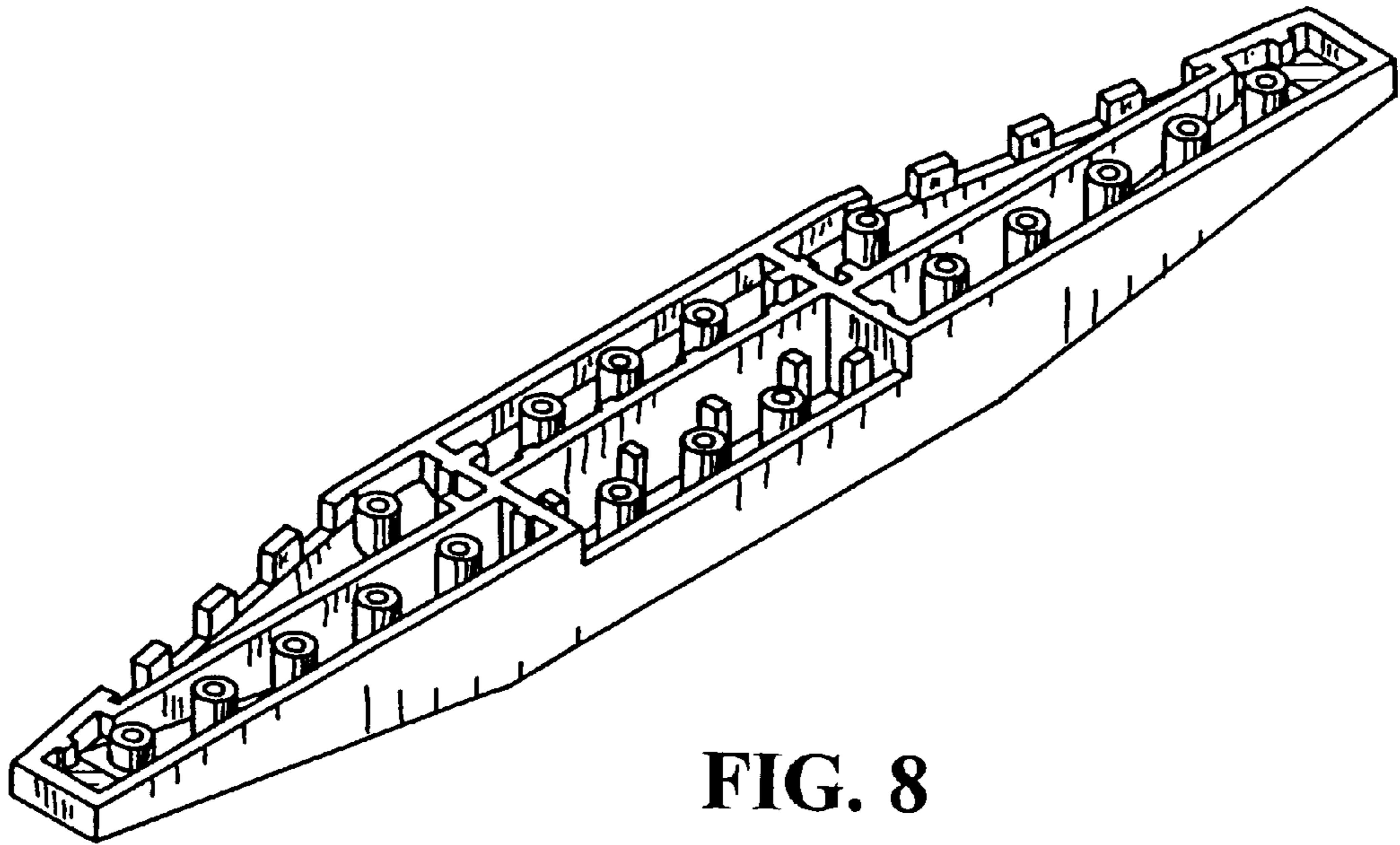


FIG. 8

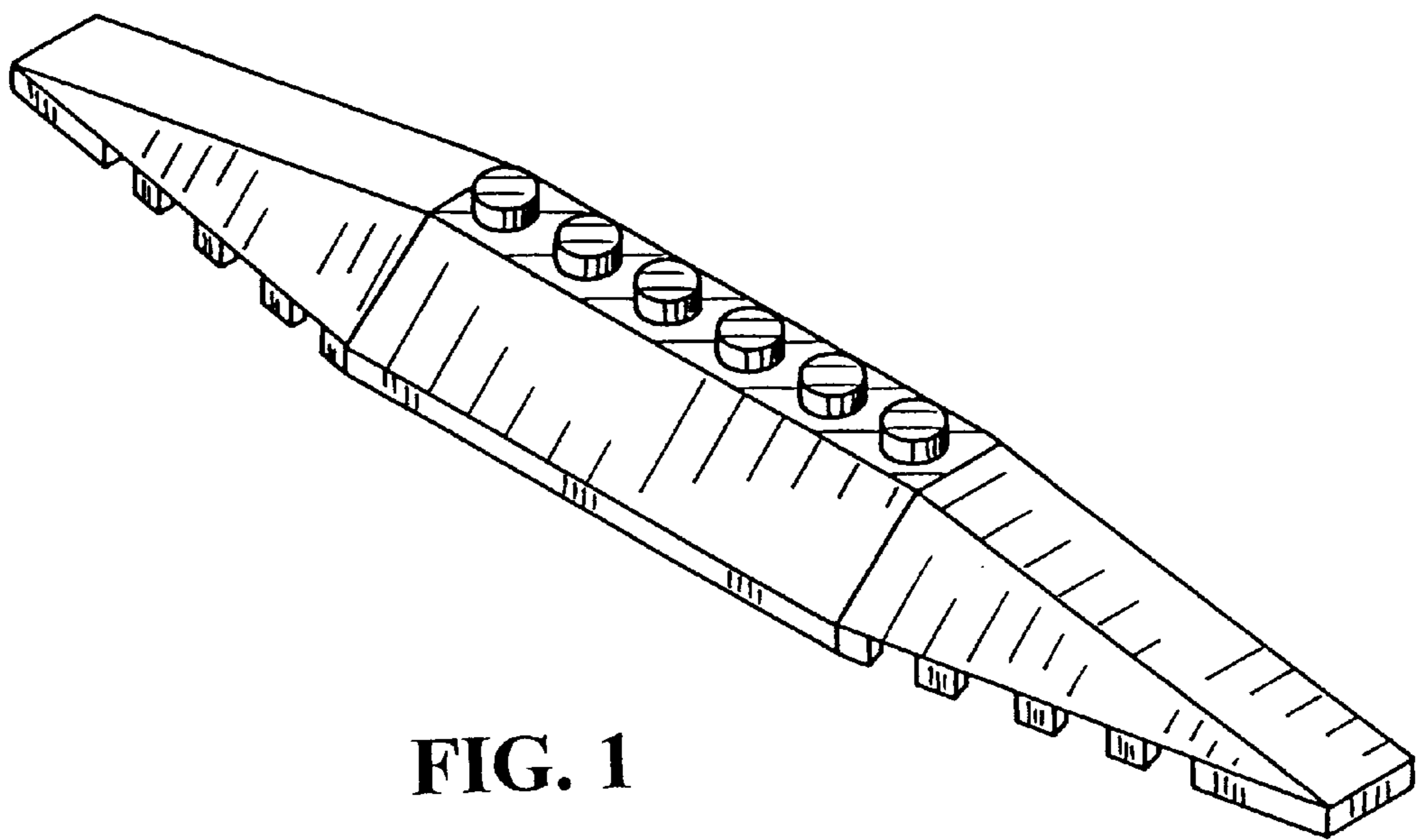


FIG. 1

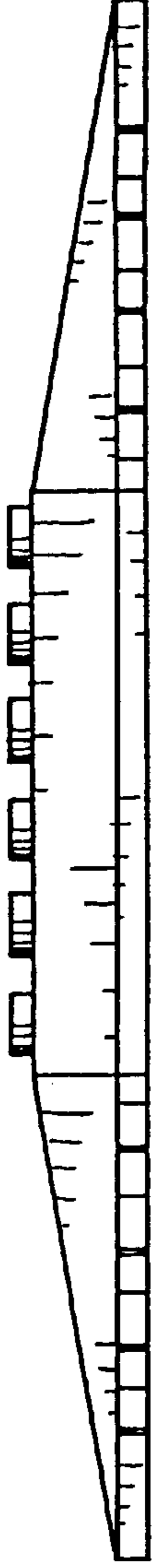


FIG. 3

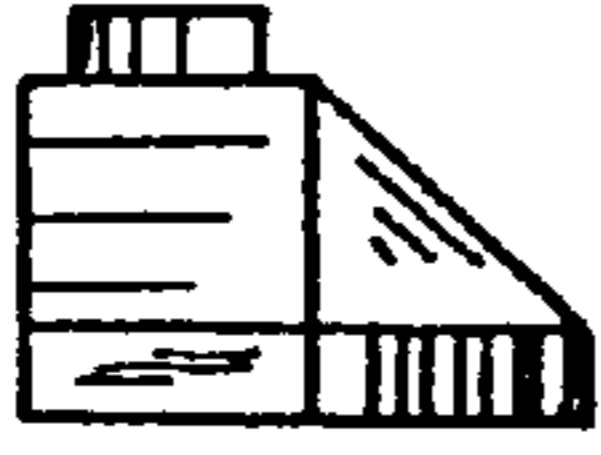


FIG. 5

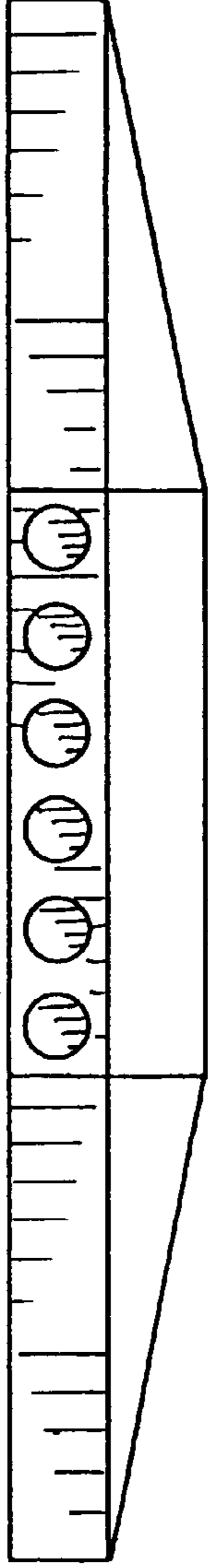


FIG. 2

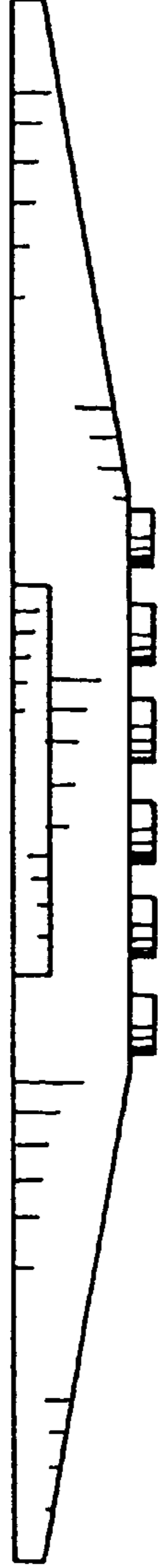


FIG. 7

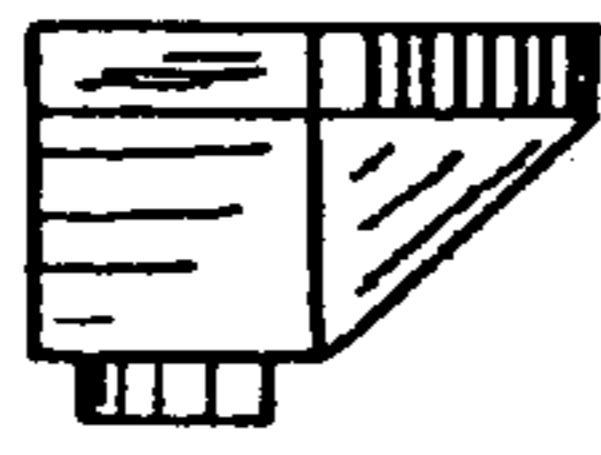


FIG. 6

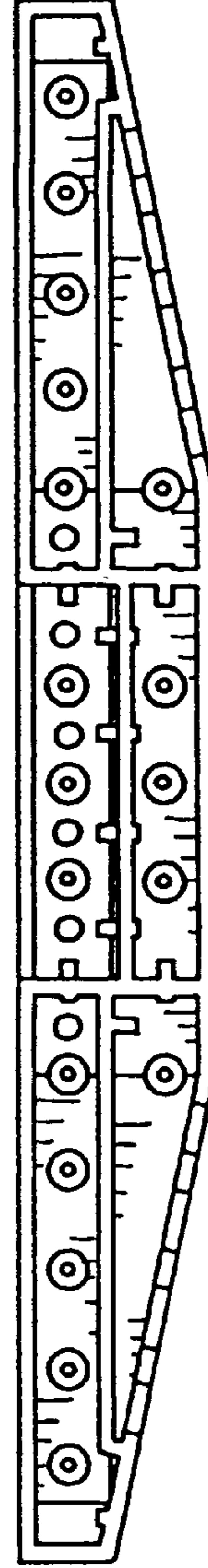


FIG. 4