

US00D409673S

**United States Patent** [19]  
**Rodriguez, II**

[11] **Patent Number: Des. 409,673**

[45] **Date of Patent: \*\* May 11, 1999**

[54] **PUSH AND DRIVE TOY**

[76] Inventor: **Ezekiel Rodriguez, II**, 105 S. Cabrillo Ave., San Pedro, Calif. 90731

[\*\*] Term: **14 Years**

[21] Appl. No.: **29/073,594**

[22] Filed: **Jul. 11, 1997**

[51] **LOC (6) Cl.** ..... **21-01**

[52] **U.S. Cl.** ..... **D21/421**

[58] **Field of Search** ..... D21/419-435,  
D21/533-538, 548-562; D12/1; 446/465,  
470; 280/1.13, 828, 87.01, 87.021, 827,  
200, 47.131

[56] **References Cited**

**U.S. PATENT DOCUMENTS**

D. 182,952 6/1958 Frisk ..... D21/421

D. 220,447 4/1971 Bolstridge ..... D21/421  
D. 270,847 10/1983 Wood ..... D21/421  
D. 361,799 8/1995 Ferreira ..... D21/421

*Primary Examiner*—Raphael Barkai

[57] **CLAIM**

The ornamental design for a push and drive toy, as shown and described.

**DESCRIPTION**

FIG. 1 is a front elevational view of the push and drive toy showing my new design;  
FIG. 2 is a rear elevational view thereof;  
FIG. 3 is a right side view thereof;  
FIG. 4 is a left side view thereof;  
FIG. 5 is a top plan view thereof; and,  
FIG. 6 is a bottom plan view thereof.

**1 Claim, 3 Drawing Sheets**

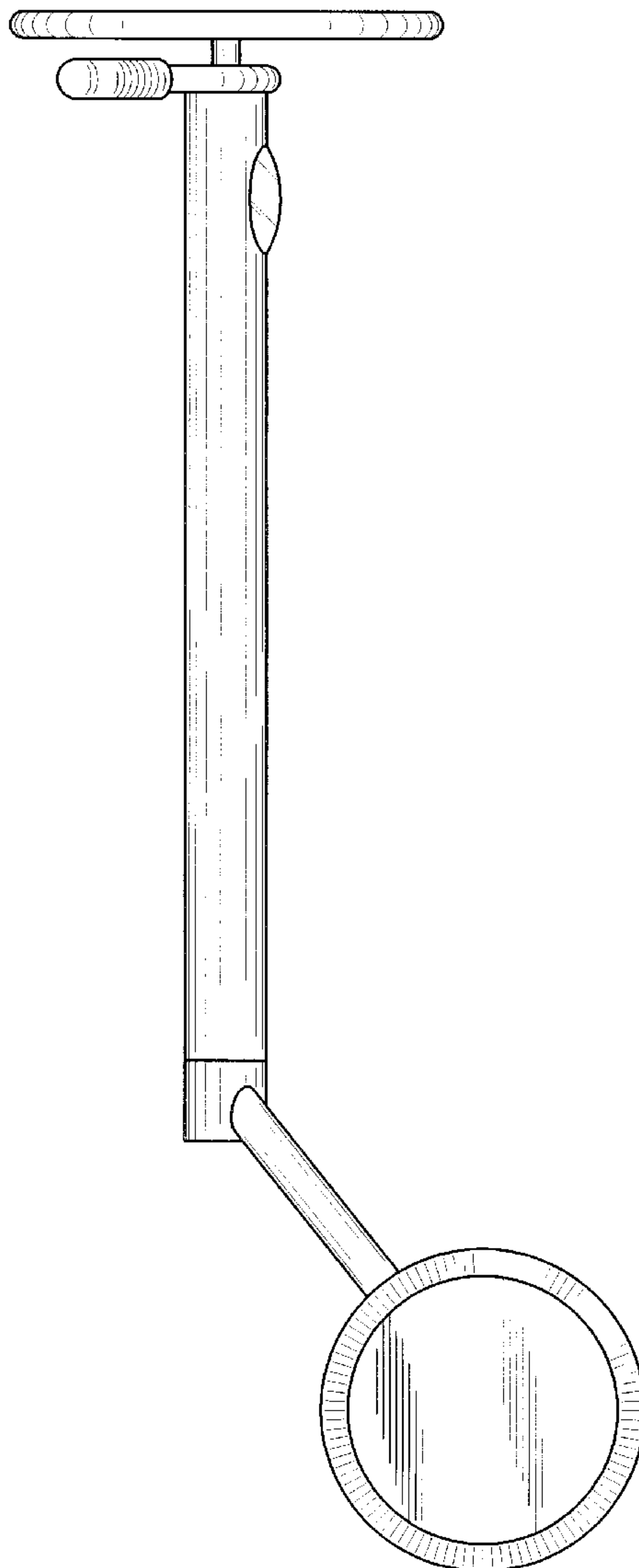


FIG. 1

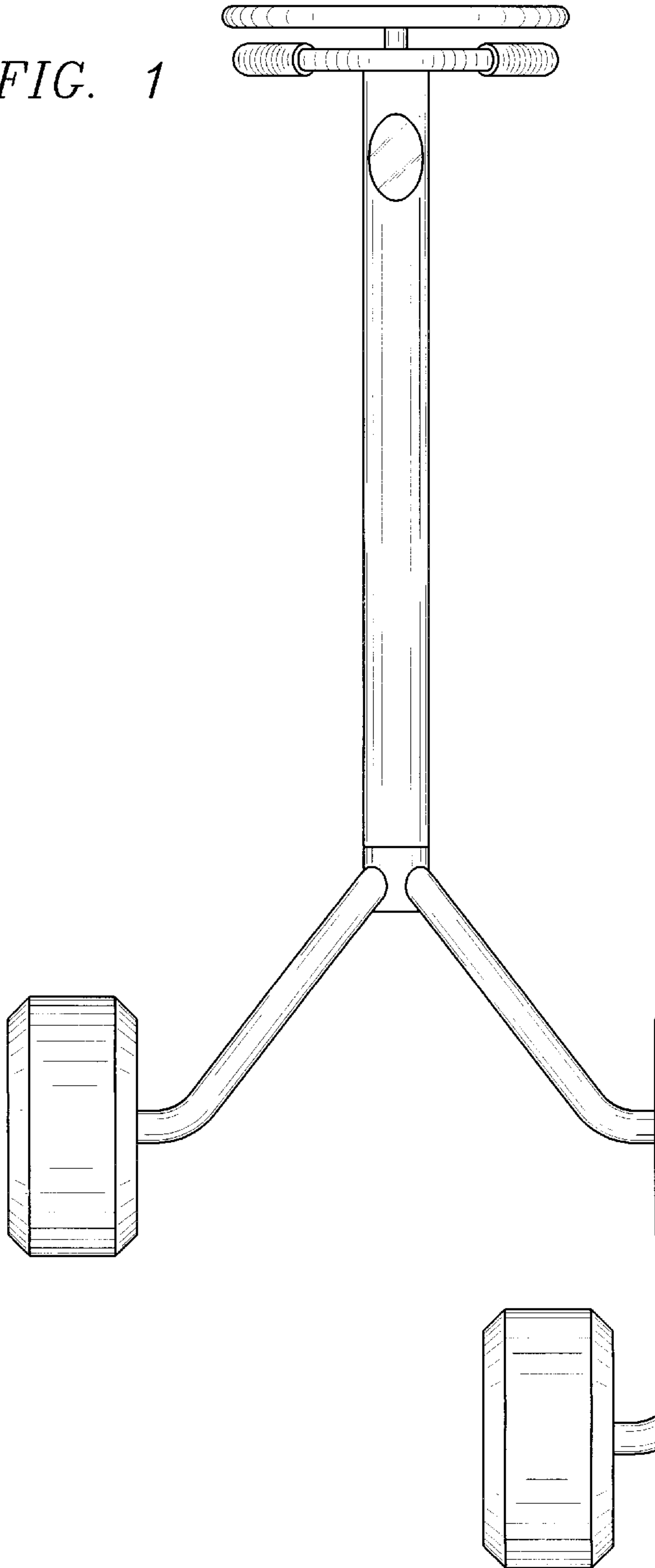


FIG. 2

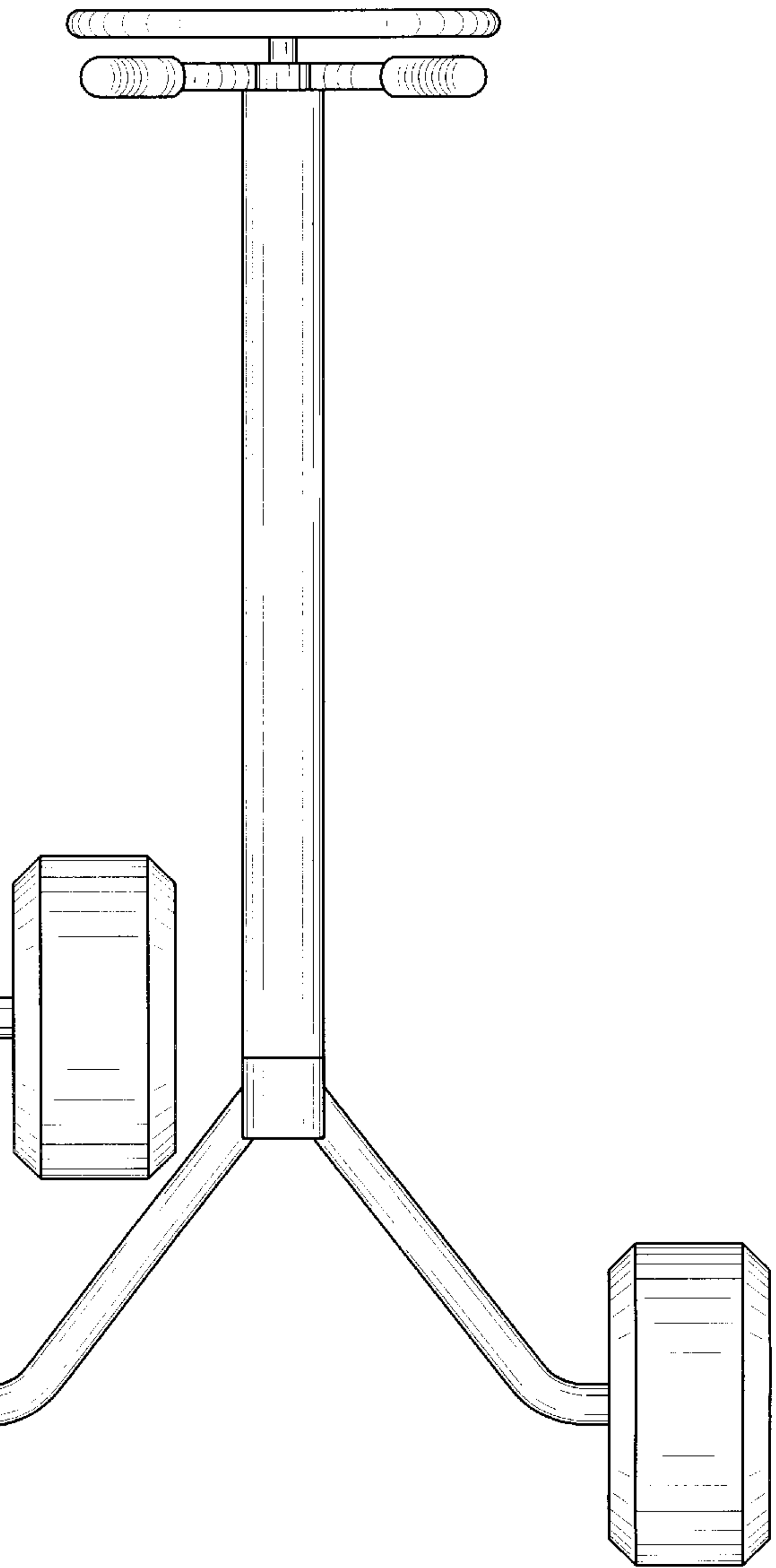


FIG. 3

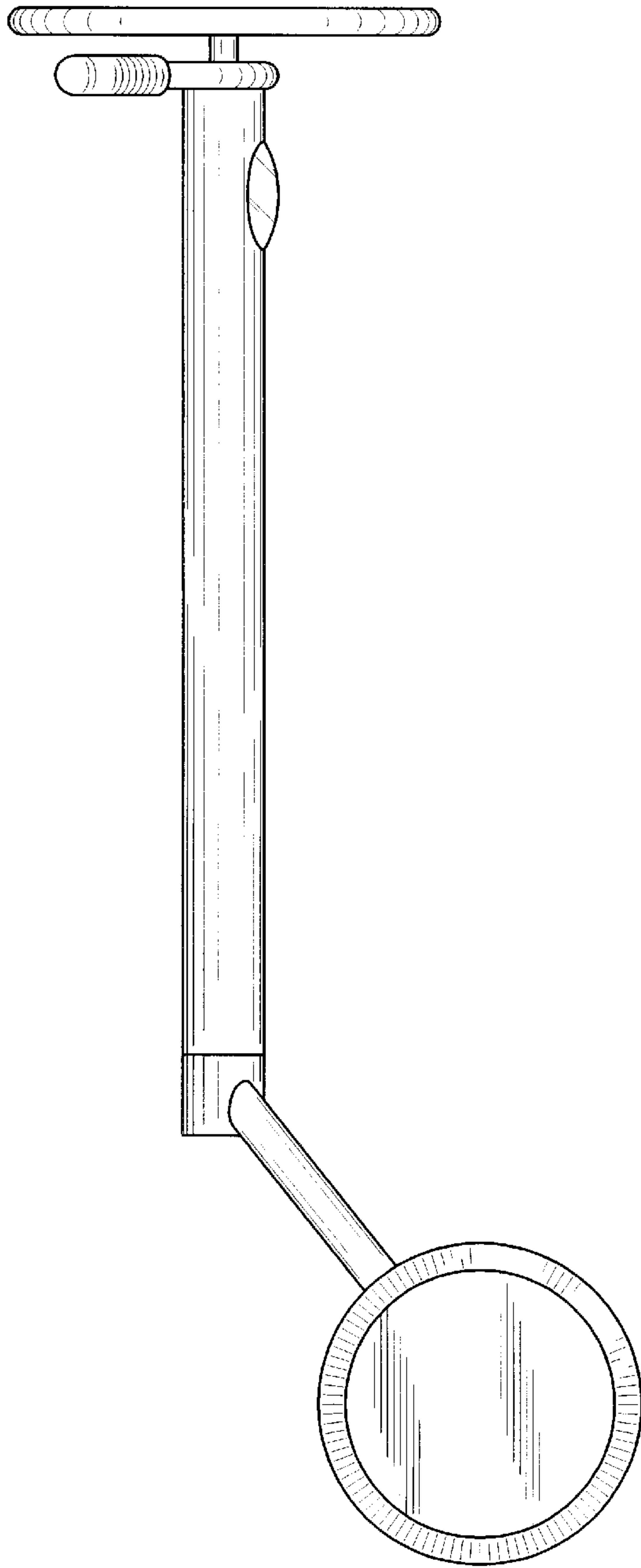
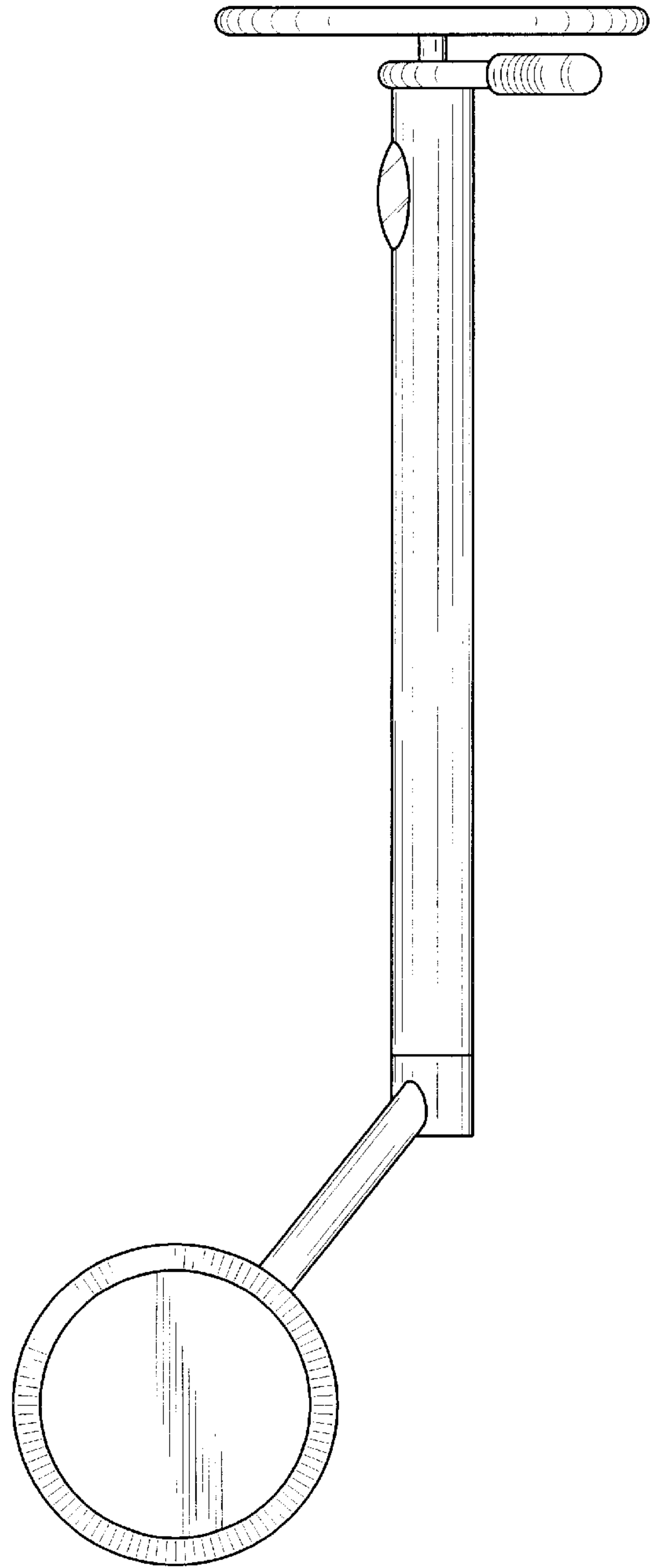
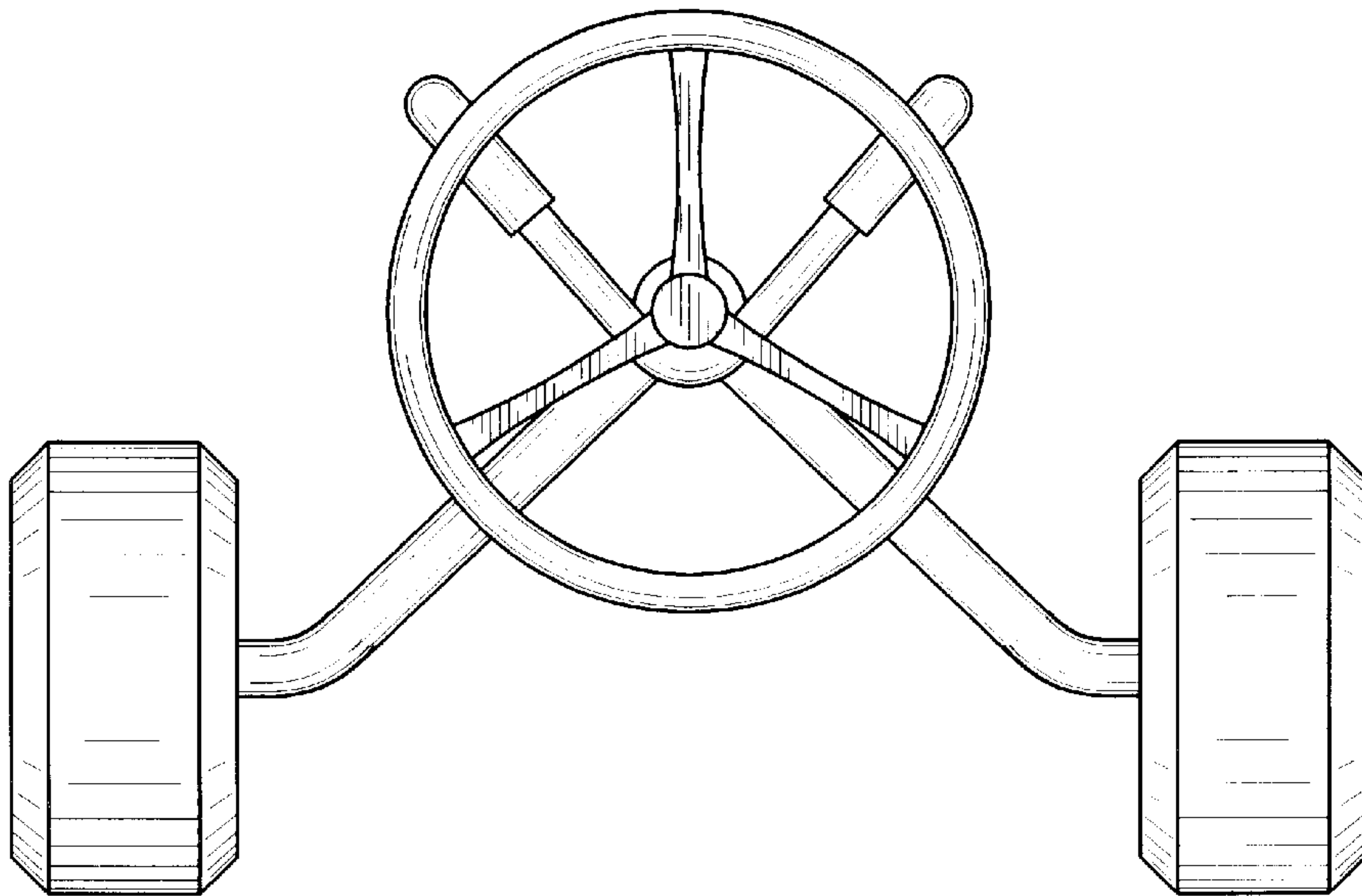


FIG. 4



*FIG. 5*



*FIG. 6*

