



US00D409667S

United States Patent [19]

Riley et al.

[11] Patent Number: **Des. 409,667**

[45] Date of Patent: **** May 11, 1999**

[54] **COMPUTER GAME PLAYER HOUSING**

5,213,327 5/1993 Kitaue 273/148 B

[75] Inventors: **Raymond W. Riley**, Santa Cruz; **David W. Laituri**, Palo Alto, both of Calif.

OTHER PUBLICATIONS

Hong Kong Enterprise, Oct. 1994, p. 137.

[73] Assignee: **Apple Computer, Inc.**, Cupertino, Calif.

Primary Examiner—Prabhakar G. Deshmukh
Attorney, Agent, or Firm—David J. Larwood

[**] Term: **14 Years**

[57] CLAIM

[21] Appl. No.: **29/036,983**

The ornamental design for a computer game player housing, as shown and described.

[22] Filed: **Mar. 31, 1995**

DESCRIPTION

Related U.S. Application Data

[63] Continuation-in-part of application No. 29/036,892, Mar. 30, 1995, abandoned.

[51] **LOC (6) Cl.** **21-01**

[52] **U.S. Cl.** **D21/48**

[58] **Field of Search** D21/1, 13, 48;
273/148 B, 433-438, DIG. 28; D14/124,
125, 114, 217

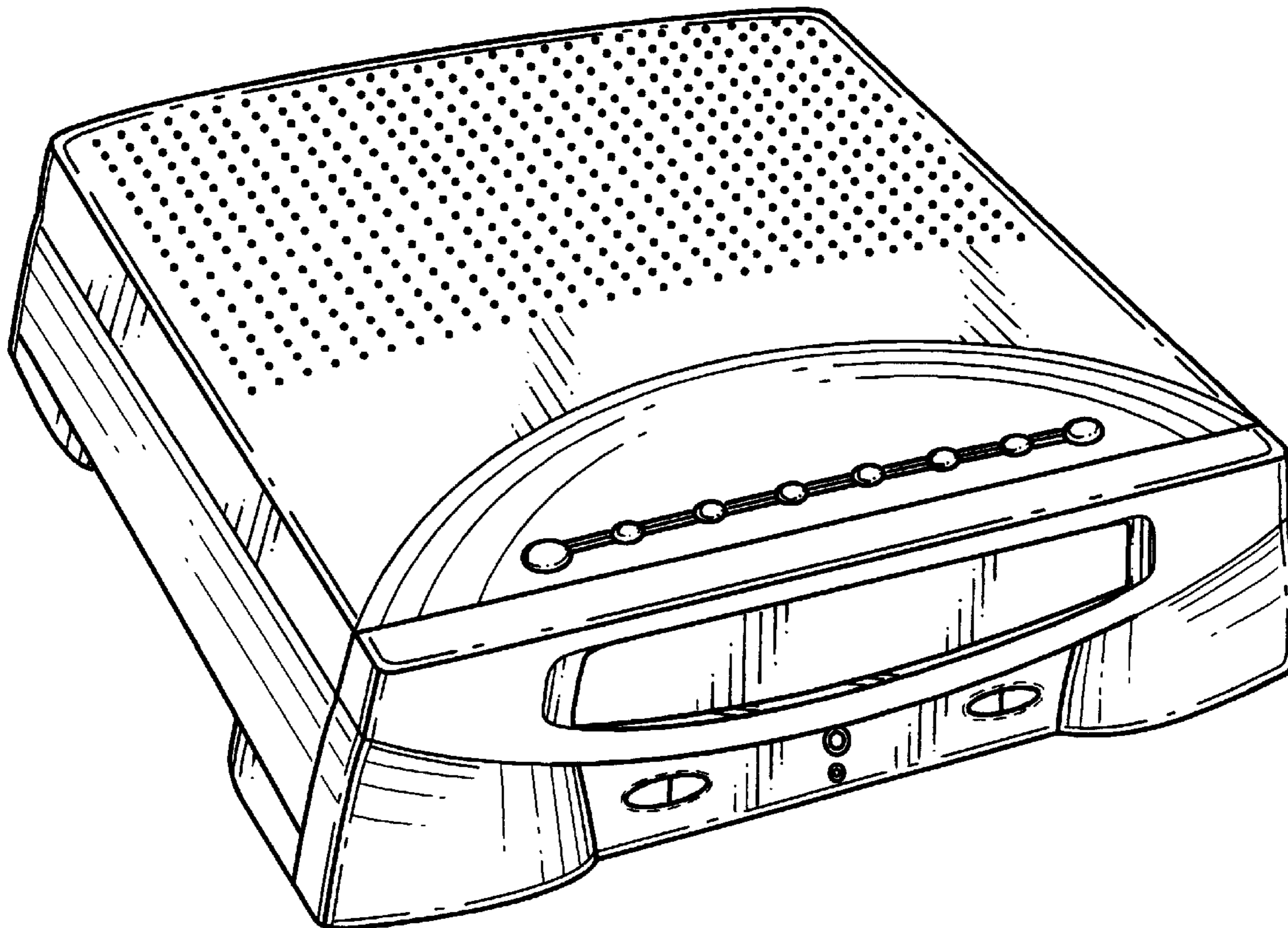
FIG. 1 is a front elevational view of a computer game player housing showing our new design;
FIG. 2 is a rear elevational view of FIG. 1;
FIG. 3 is a right side elevational view of FIG. 1;
FIG. 4 is a left side elevational view of FIG. 1;
FIG. 5 is a top plan view of FIG. 1;
FIG. 6 is a bottom plan view of FIG. 1;
FIG. 7 is a top plan view of the computer game player housing of FIG. 1, showing the game player housing with a CD loading tray extended;
FIG. 8 is a right side elevational view of the computer game player housing of FIG. 1, showing the game player housing with a CD loading tray extended;
FIG. 9 is a front, top, left side perspective view of FIG. 1; and,
FIG. 10 is a rear, top, right side perspective view of FIG. 1.

[56] References Cited

U.S. PATENT DOCUMENTS

D. 299,726	2/1989	Yukawa	D21/48 X
D. 337,568	7/1993	Ellis	D14/121
D. 349,520	8/1994	Iwakami	D21/13
D. 362,692	9/1995	Rissman et al.	D21/13
D. 362,870	10/1995	Oikawa	D21/13
5,161,803	11/1992	Ohara	273/434 X

1 Claim, 10 Drawing Sheets



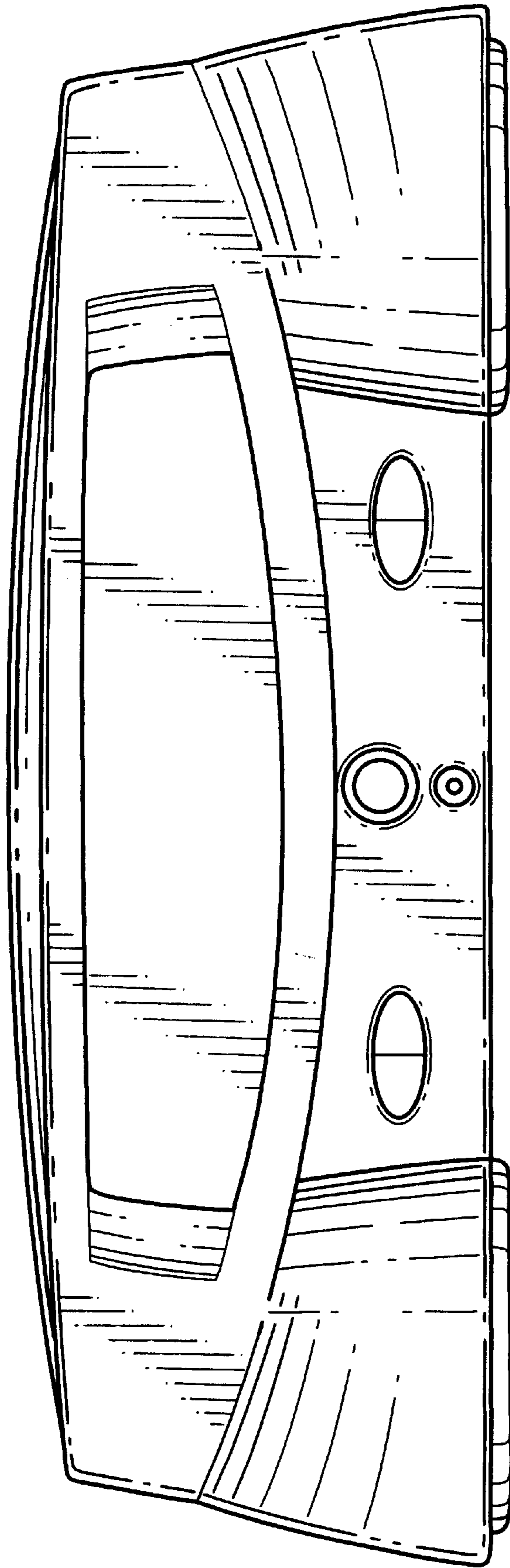


FIGURE 1

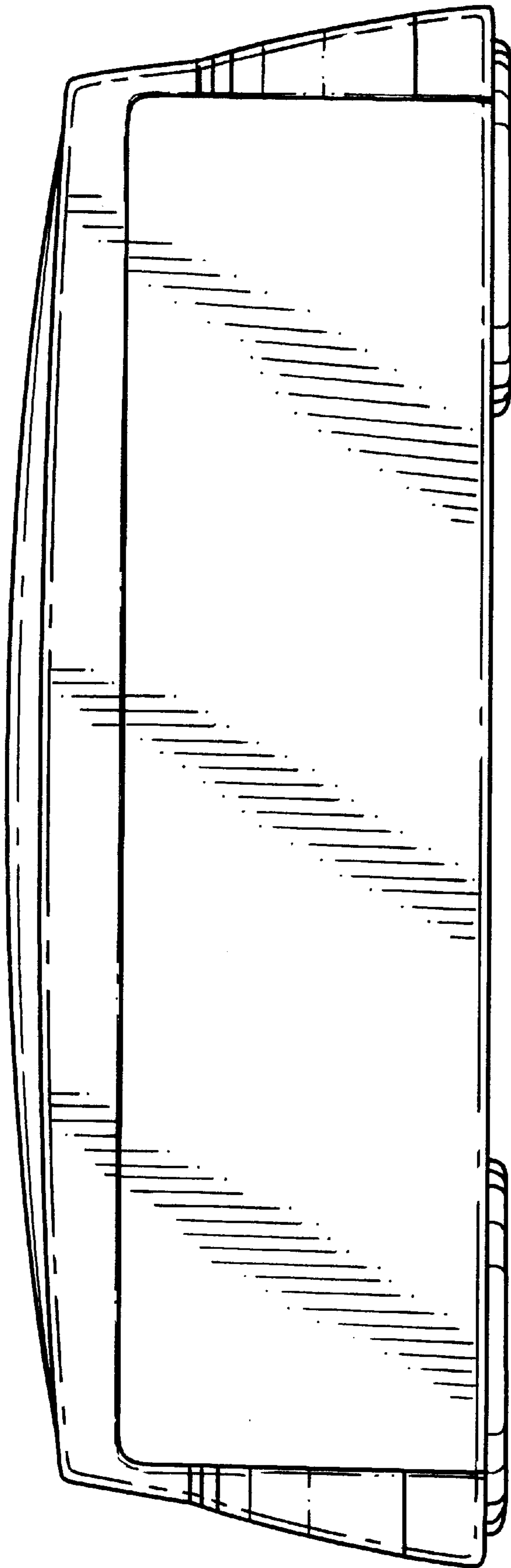


FIGURE 2

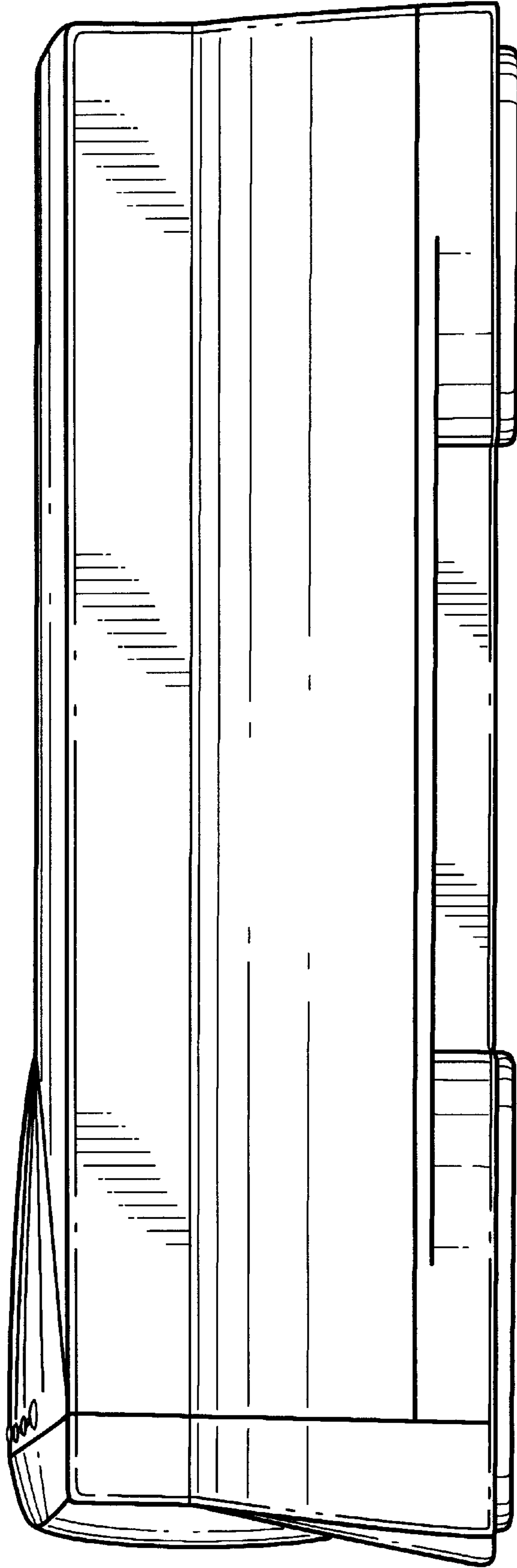


FIGURE 3

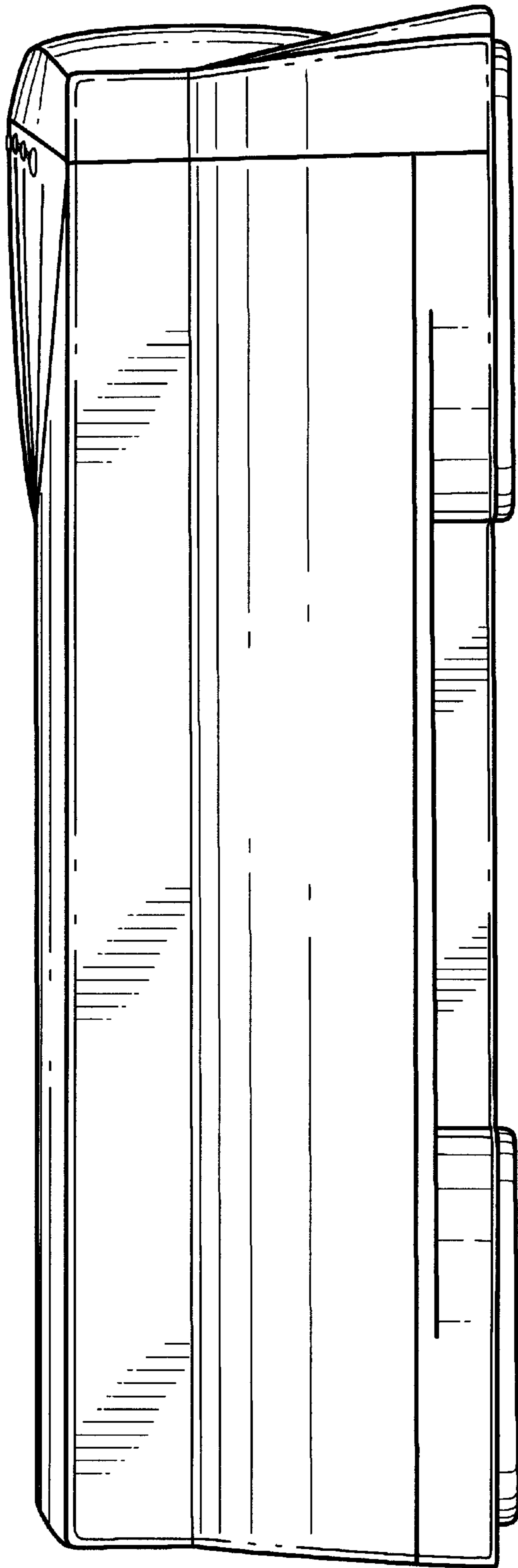


FIGURE 4

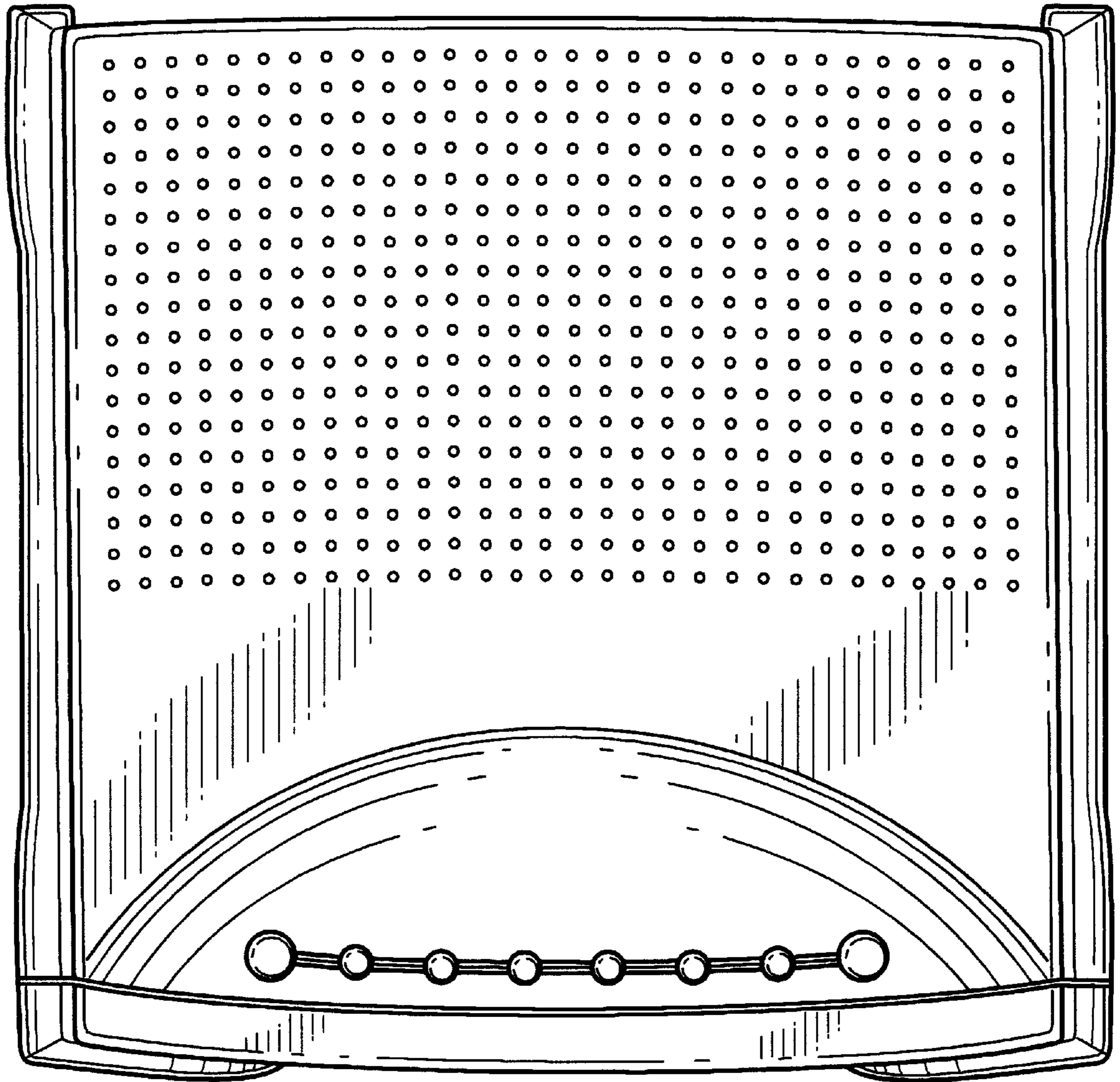


FIGURE 5

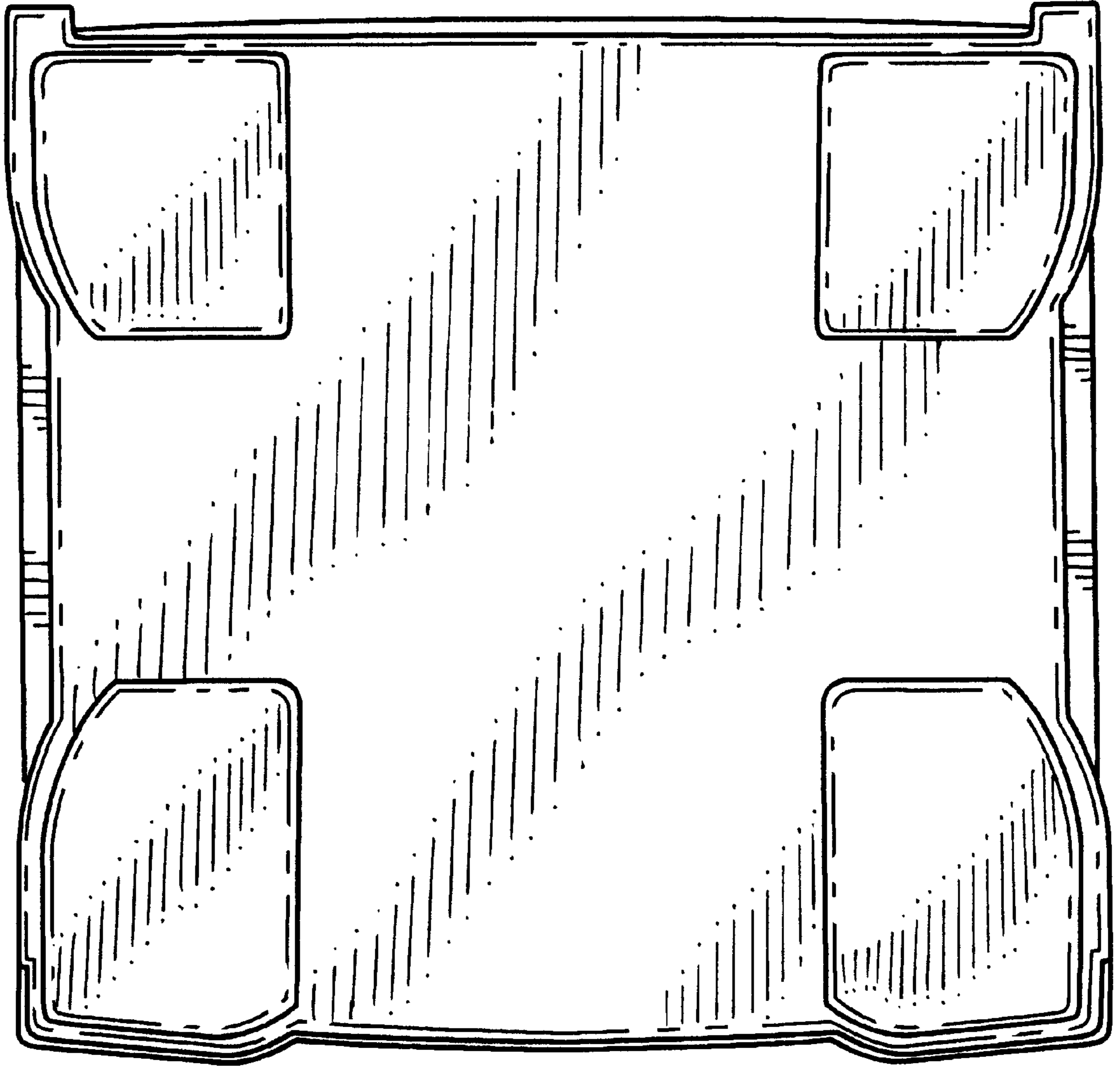


FIGURE 6

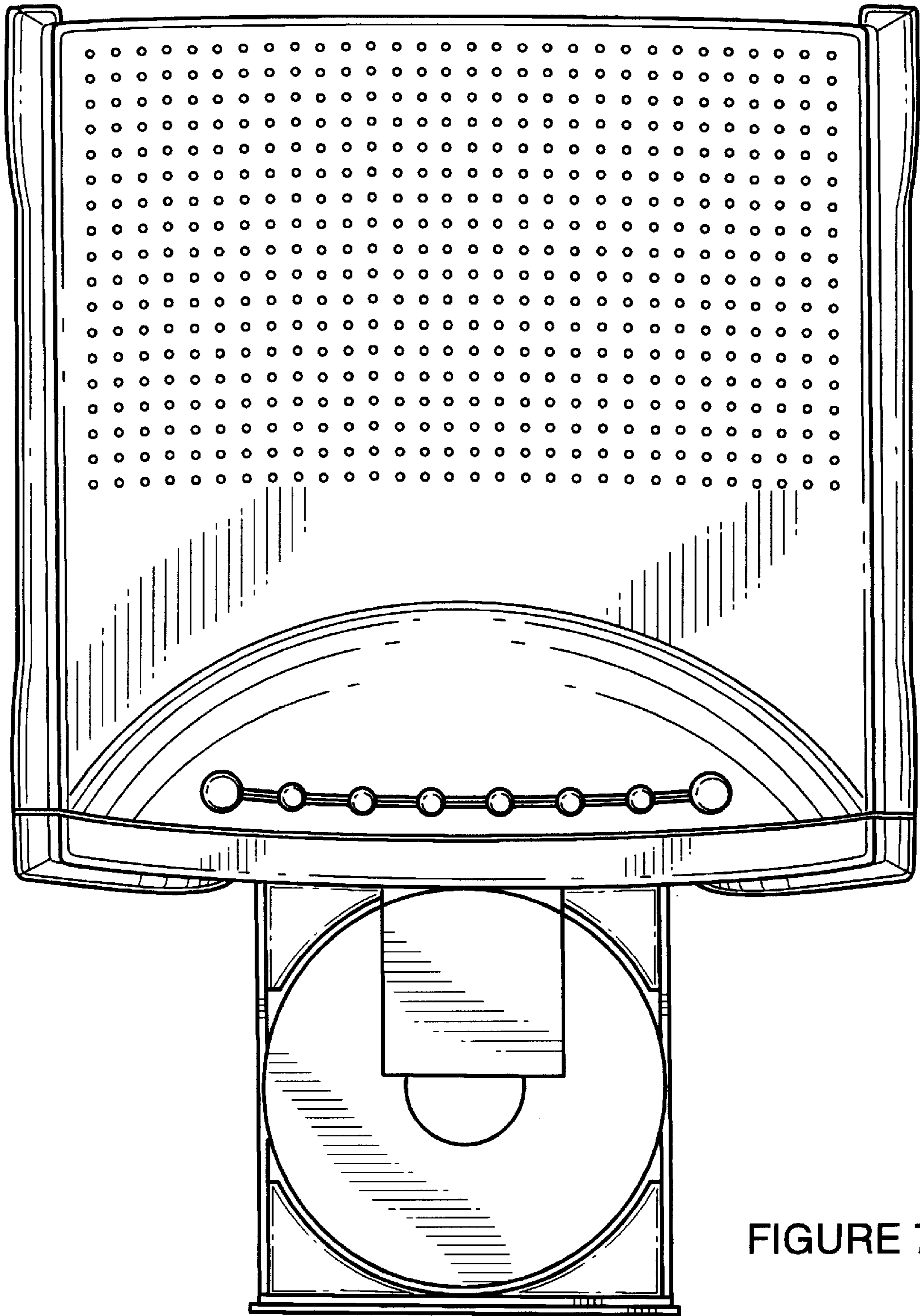


FIGURE 7

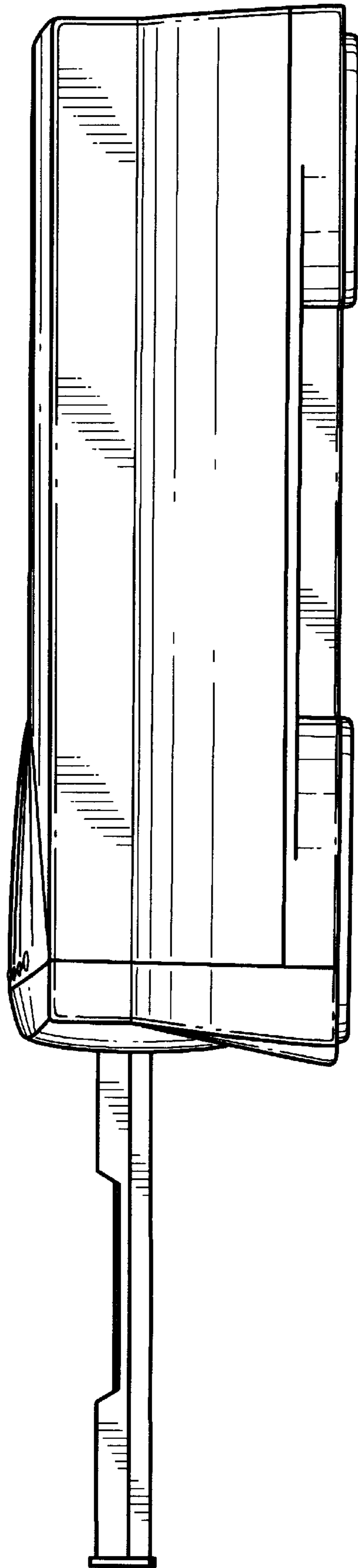


FIGURE 8

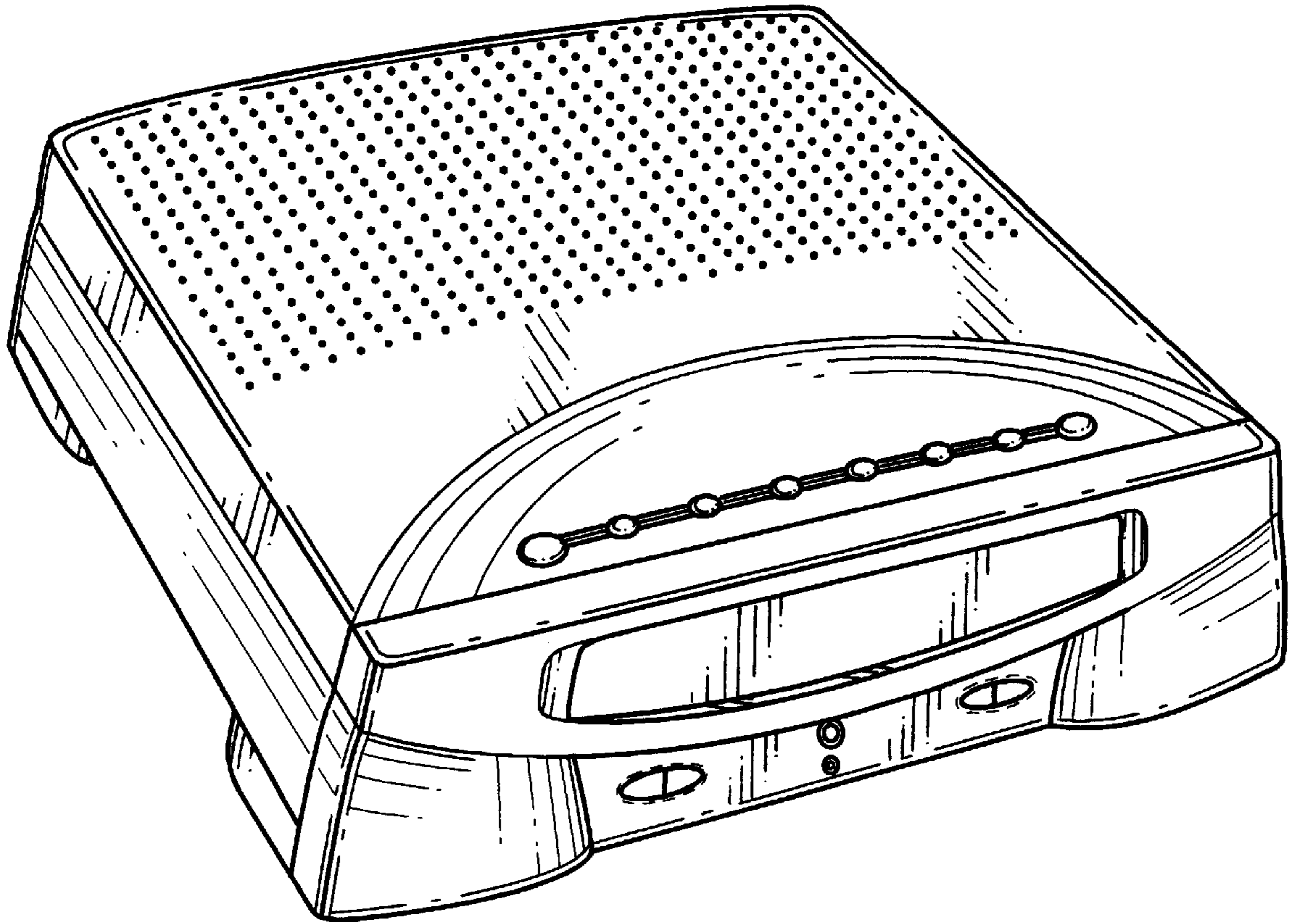


FIGURE 9

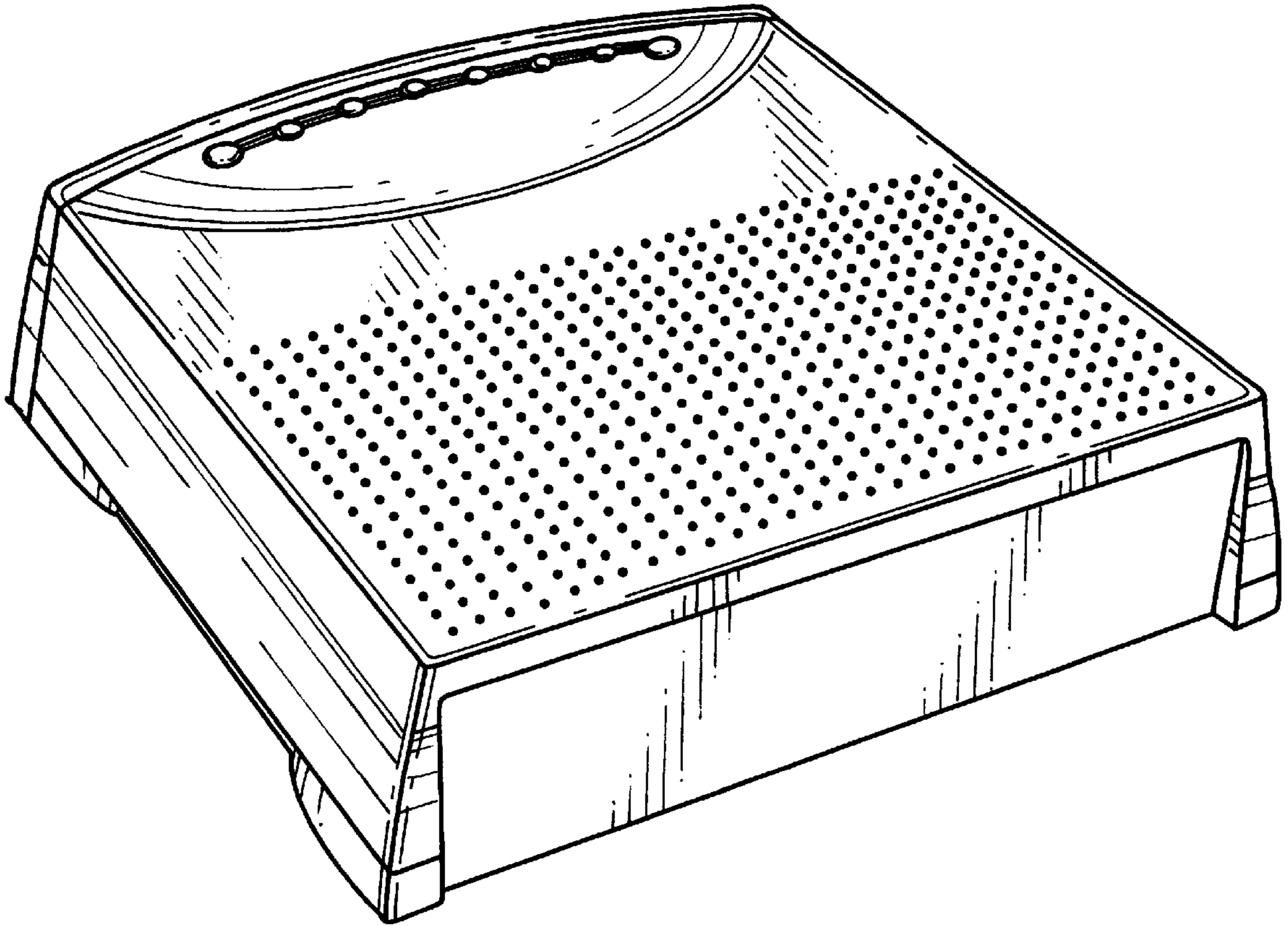


FIGURE 10