



US00D409665S

**United States Patent** [19]  
**Wiseman**

[11] **Patent Number: Des. 409,665**

[45] **Date of Patent: \*\* May 11, 1999**

[54] **COMBINED IMAGE REFLECTOR WITH POSTER DISK AND HOLDING SLEEVE**

[76] Inventor: **Arlene F. Wiseman**, 105-206 Oakview Hwy., East Hampton, N.Y. 11937

[\*\*] Term: **14 Years**

[21] Appl. No.: **29/085,250**

[22] Filed: **Mar. 19, 1998**

[51] **LOC (6) Cl.** ..... **20-02**

[52] **U.S. Cl.** ..... **D20/30; D20/41; D10/109**

[58] **Field of Search** ..... 40/605, 584, 607, 40/606, 612, 421; 248/530, 156, 511; D20/10, 17, 41, 29, 30, 23; D25/126, 128; D10/111, 109

[56] **References Cited**

**U.S. PATENT DOCUMENTS**

D. 399,446 10/1998 Stillwell ..... D10/109

**OTHER PUBLICATIONS**

Personalized House Marker No. DG, Signs Publications Box, Aug. 1995.

*Primary Examiner*—Susan J. Lucas  
*Assistant Examiner*—Jennifer Rivard

[57] **CLAIM**

The ornamental design for a combined image reflector with post disk and holding sleeve, as shown and described.

**DESCRIPTION**

FIG. 1 is a front elevation view of the combined image reflector with post disk and holding sleeve of the present invention;

FIG. 2 is a back elevation view of the combined image reflector with post disk and holding sleeve of FIG. 1;

FIG. 3 is a left side elevation view of the combined image reflector with post disk and holding sleeve of FIG. 1;

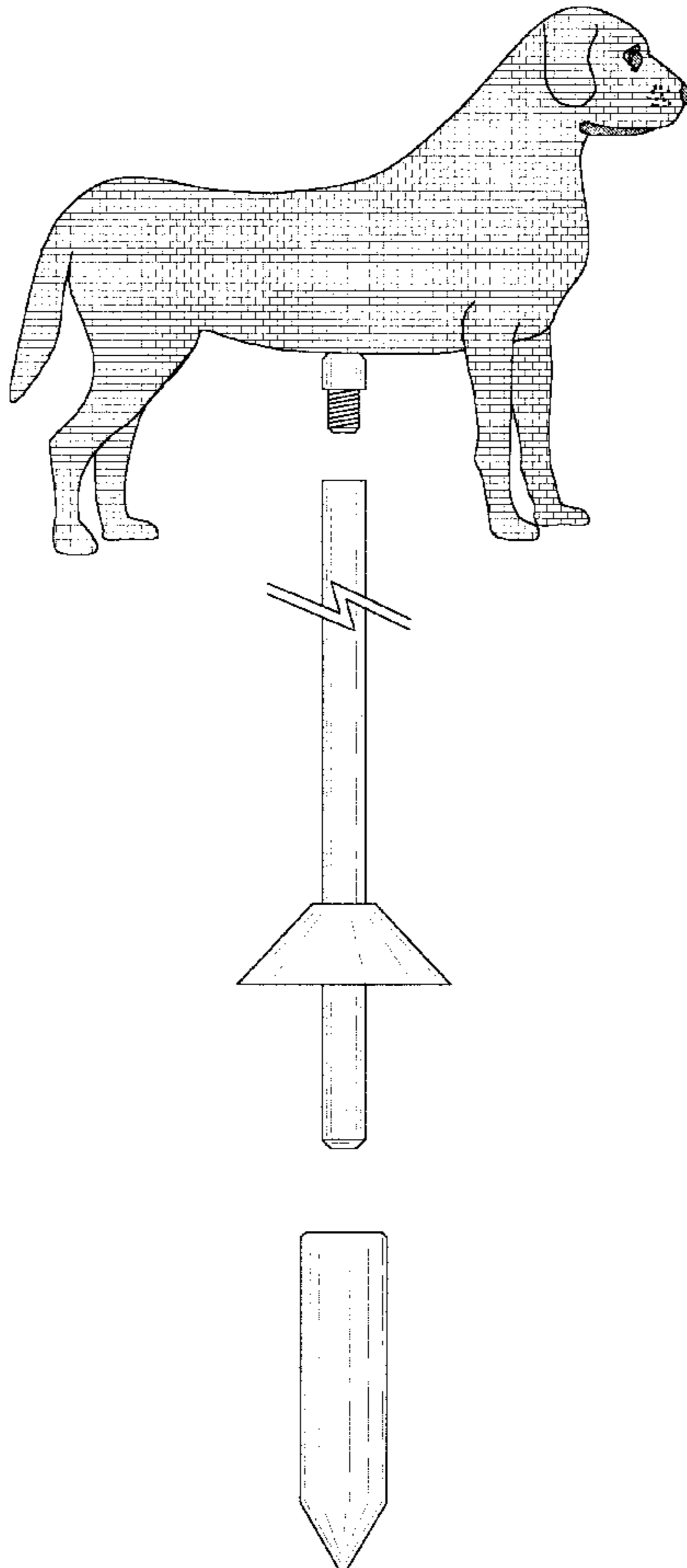
FIG. 4 is a right side elevation view of the combined image reflector with post disk and holding sleeve of FIG. 1;

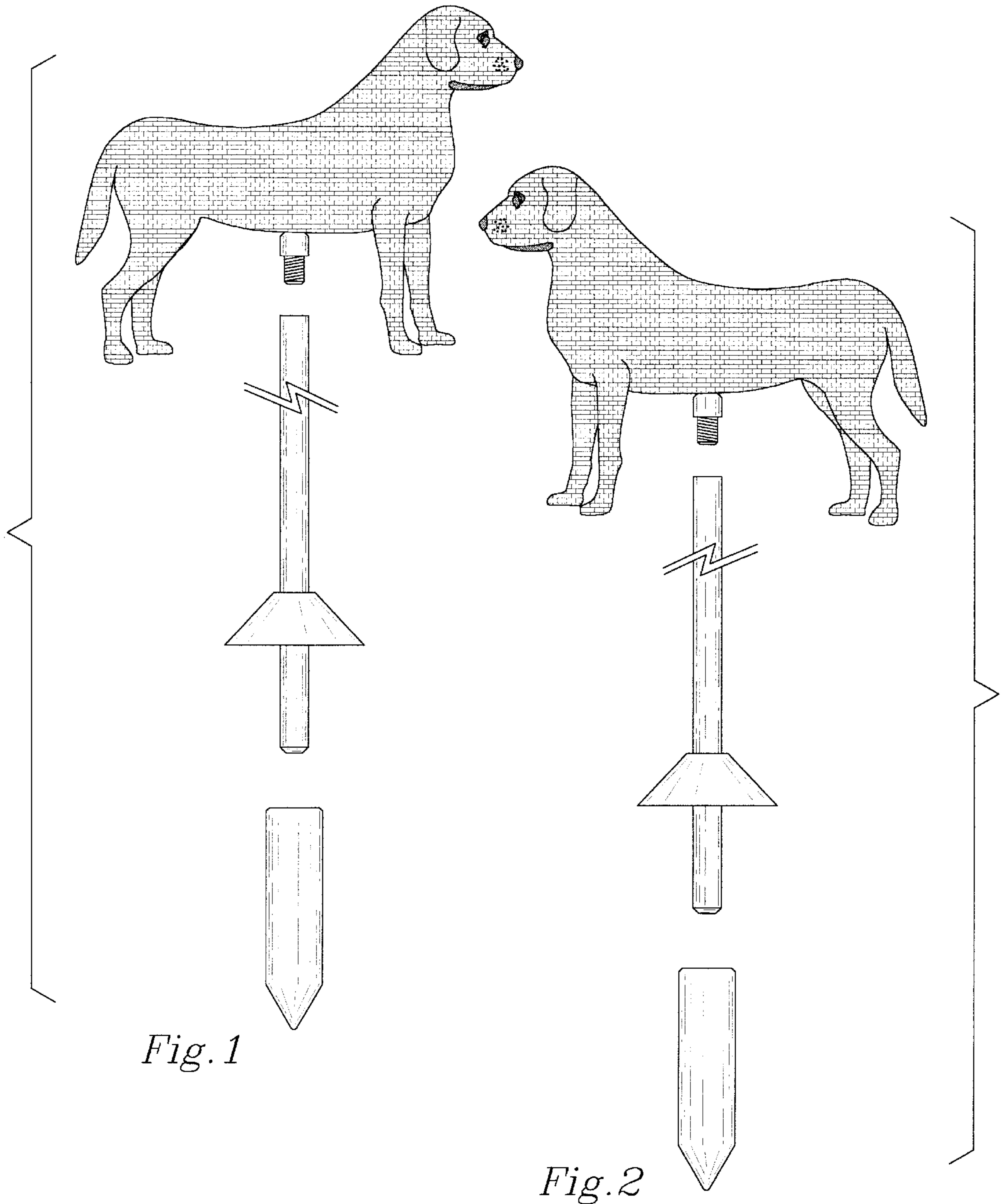
FIG. 5 is a top plan view of the combined image reflector with post disk and holding sleeve of FIG. 1; and,

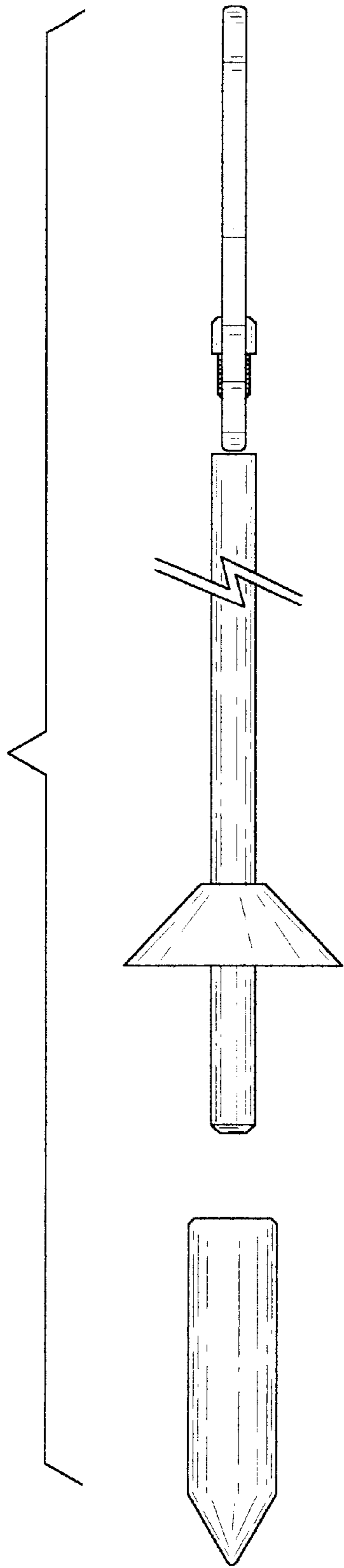
FIG. 6 is a bottom plan view of the combined image reflector with post disk and holding sleeve of FIG. 1.

The claimed design is shown broken away to indicate indefinite length.

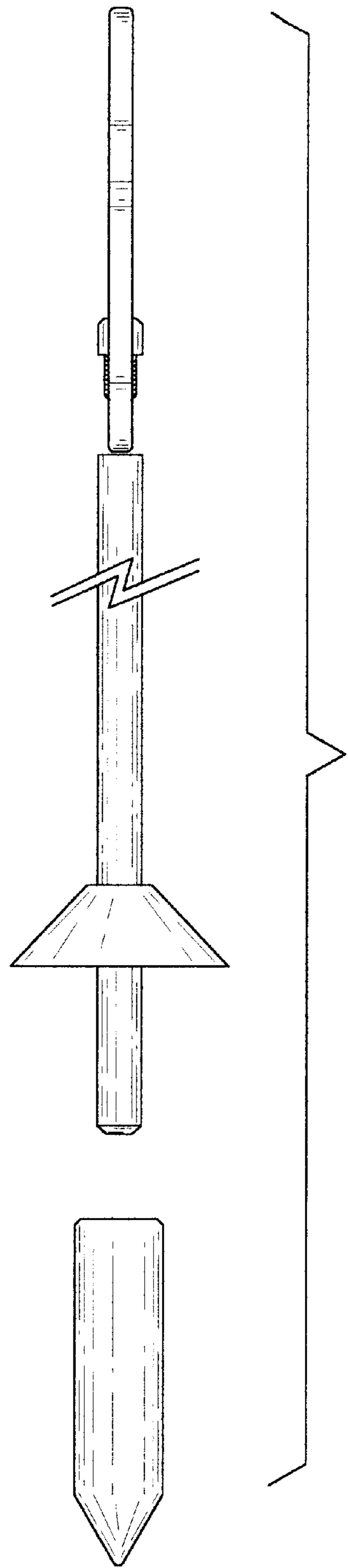
**1 Claim, 3 Drawing Sheets**



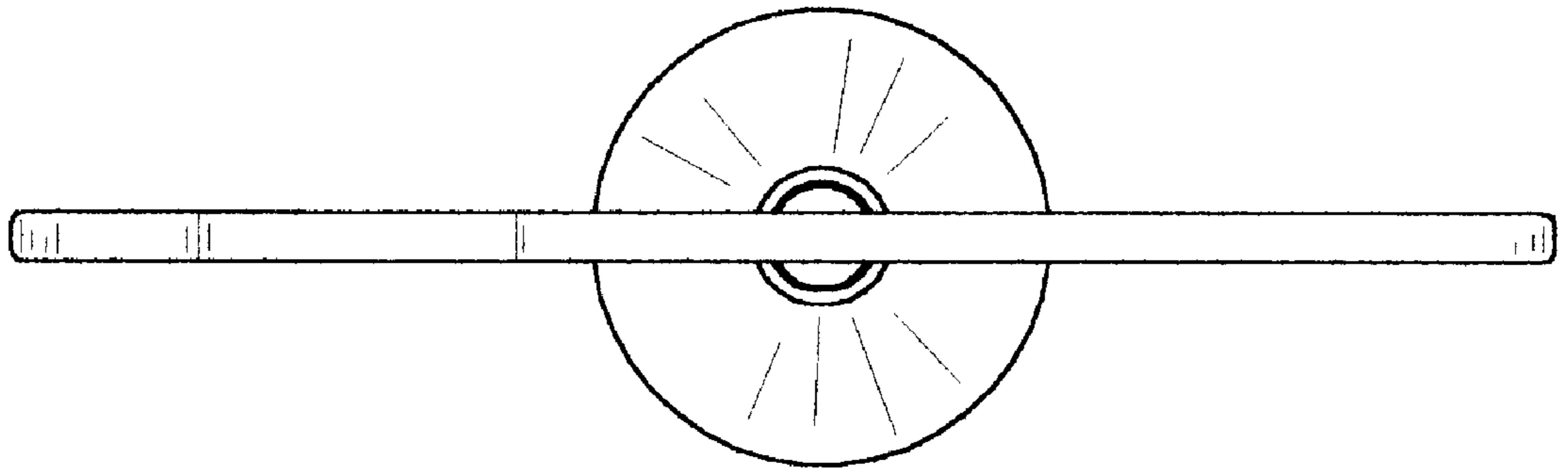




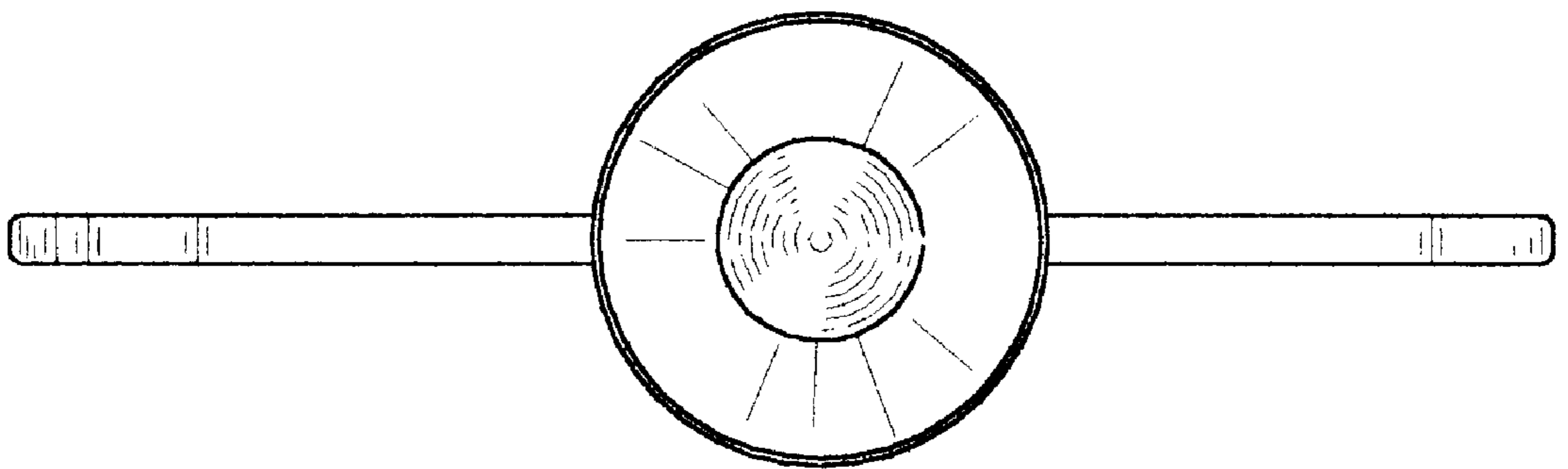
*Fig. 3*



*Fig. 4*



*Fig. 5*



*Fig. 6*