



US00D409664S

# United States Patent [19]

Perrin et al.

[11] Patent Number: Des. 409,664

[45] Date of Patent: \*\* May 11, 1999

[54] CARD HOLDER

[75] Inventors: **Patrick C. Perrin**, Rancho Palos Verdes; **Jimmie L. Whittington**, Diamond Bar, both of Calif.

[73] Assignee: **Perrin Manufacturing Company**, City of Industry, Calif.

[\*\*] Term: **14 Years**

[21] Appl. No.: **29/068,105**

[22] Filed: **Feb. 11, 1997**

[51] LOC (6) Cl. .... **19-02**

[52] U.S. Cl. .... **D19/90; D19/86**

[58] Field of Search ..... D19/65, 75, 78, D19/86, 90, 91, 99, 100; 206/387, 425, 39; 211/10, 11, 13.1, 44, 45, 50, 55; D3/294, 201; D20/40; D6/300-310

### [56] References Cited

#### U.S. PATENT DOCUMENTS

D. 260,054	8/1981	Morgan	.....	D3/56
D. 268,424	3/1983	Shuman	.....	D20/40
D. 292,851	11/1987	Krone	.....	D6/300
D. 354,520	1/1995	Pong	.....	D19/91 X
D. 383,491	9/1997	Chang	.....	D19/92 X
4,356,918	11/1982	Kahle et al.	.....	206/444
4,538,725	9/1985	Glover et al.	.....	206/37
4,549,669	10/1985	Rozporka	.....	220/306

5,064,065	11/1991	Takahashi	.....	206/387
5,219,074	6/1993	Mizuno et al.	.....	206/387
5,360,105	11/1994	Morita	.....	206/232
5,452,793	9/1995	DiMeo, Jr. et al.	.....	206/39
5,503,272	4/1996	Morita	.....	206/387.1

*Primary Examiner*—Martie K. Holtje  
*Attorney, Agent, or Firm*—Sheldon & Mak

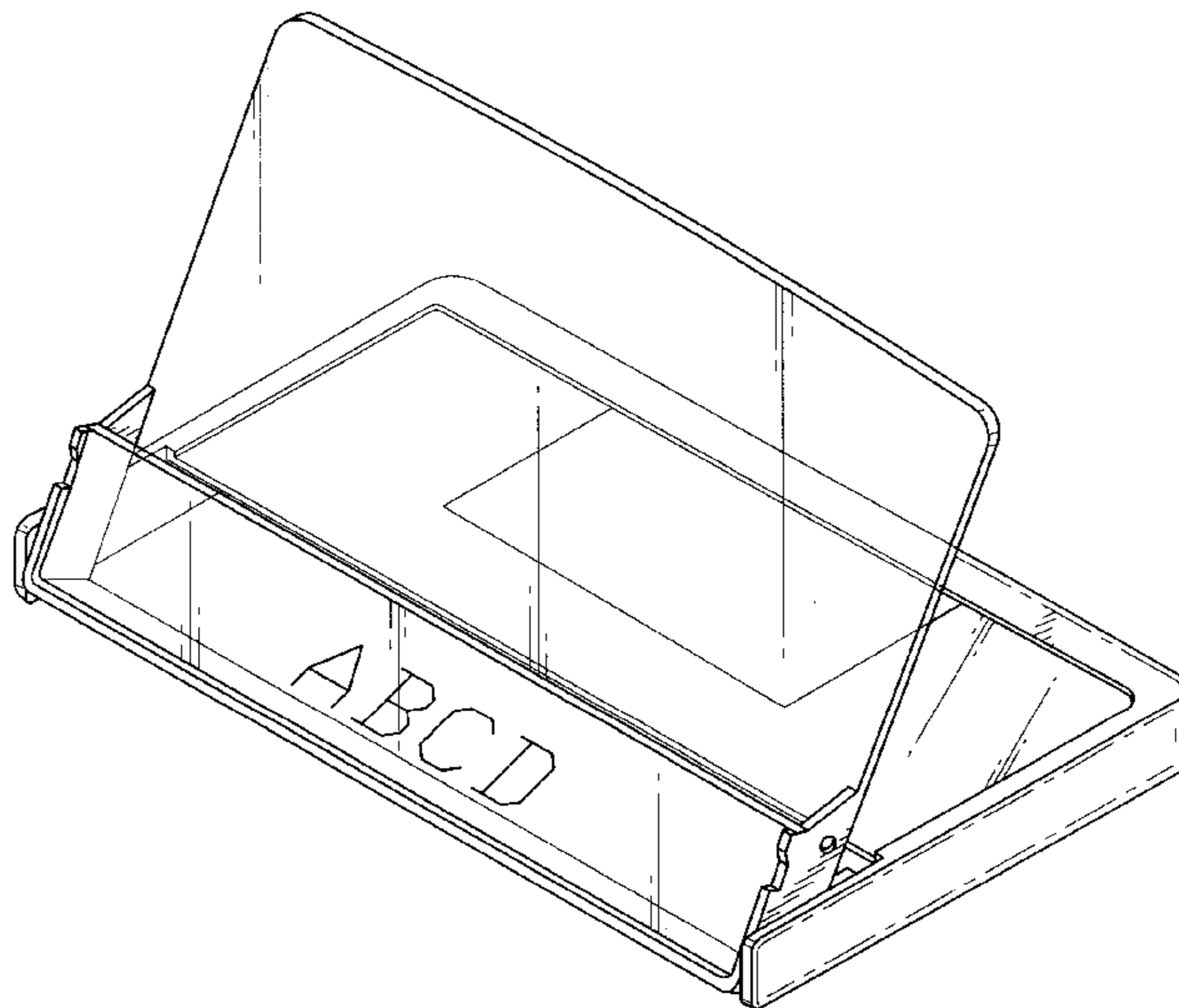
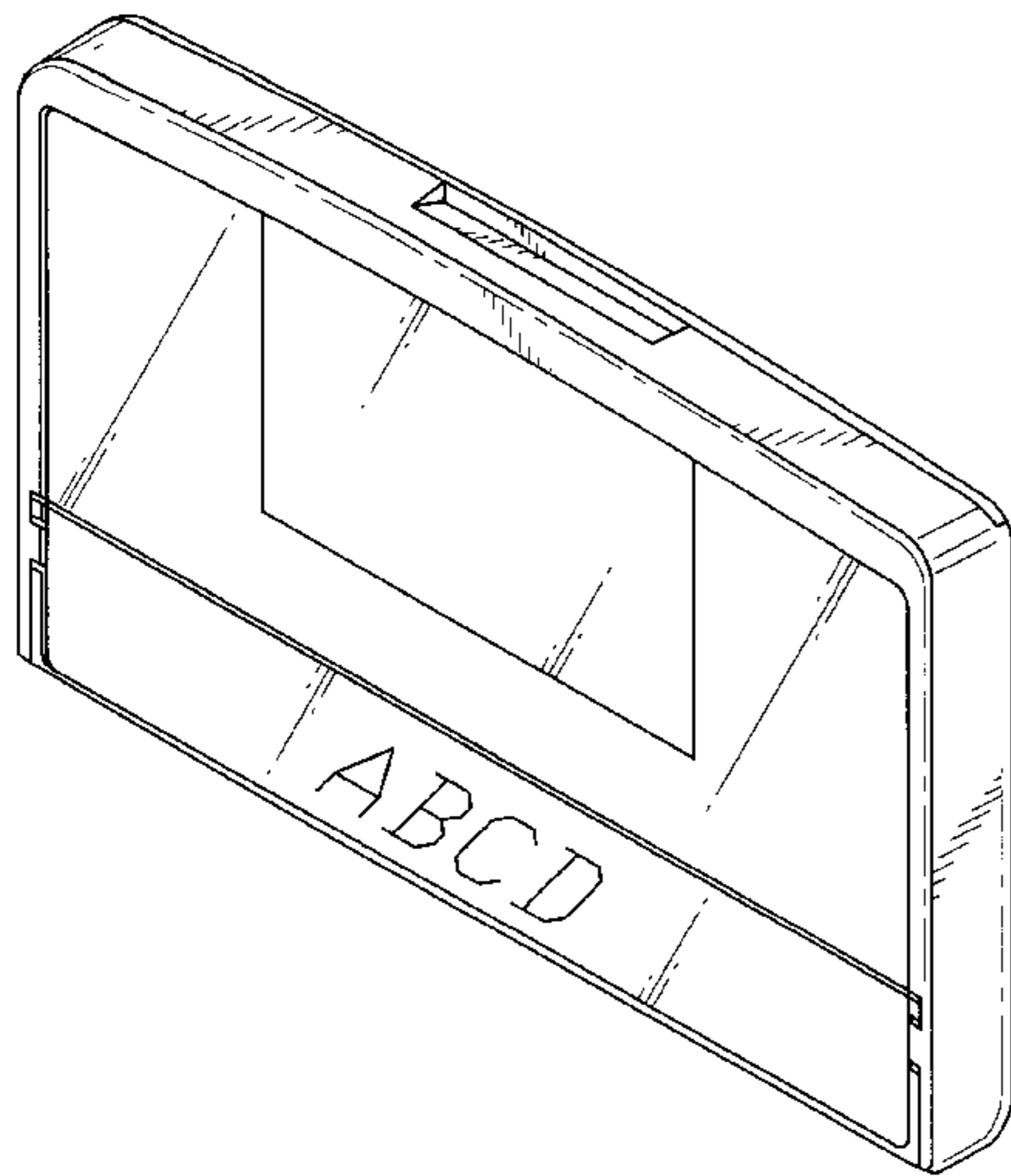
### [57] CLAIM

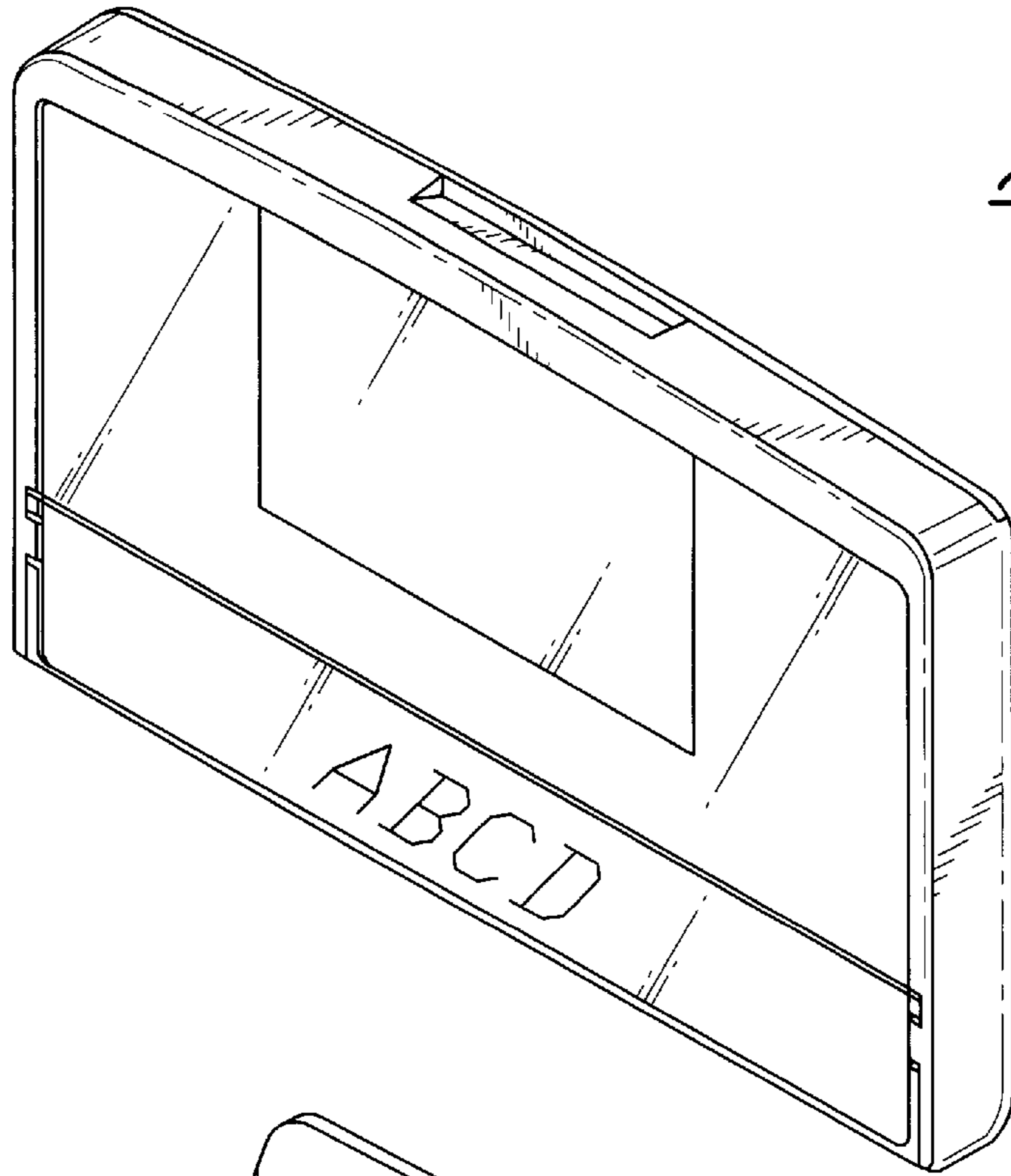
The ornamental design for a card holder, as shown and described.

### DESCRIPTION

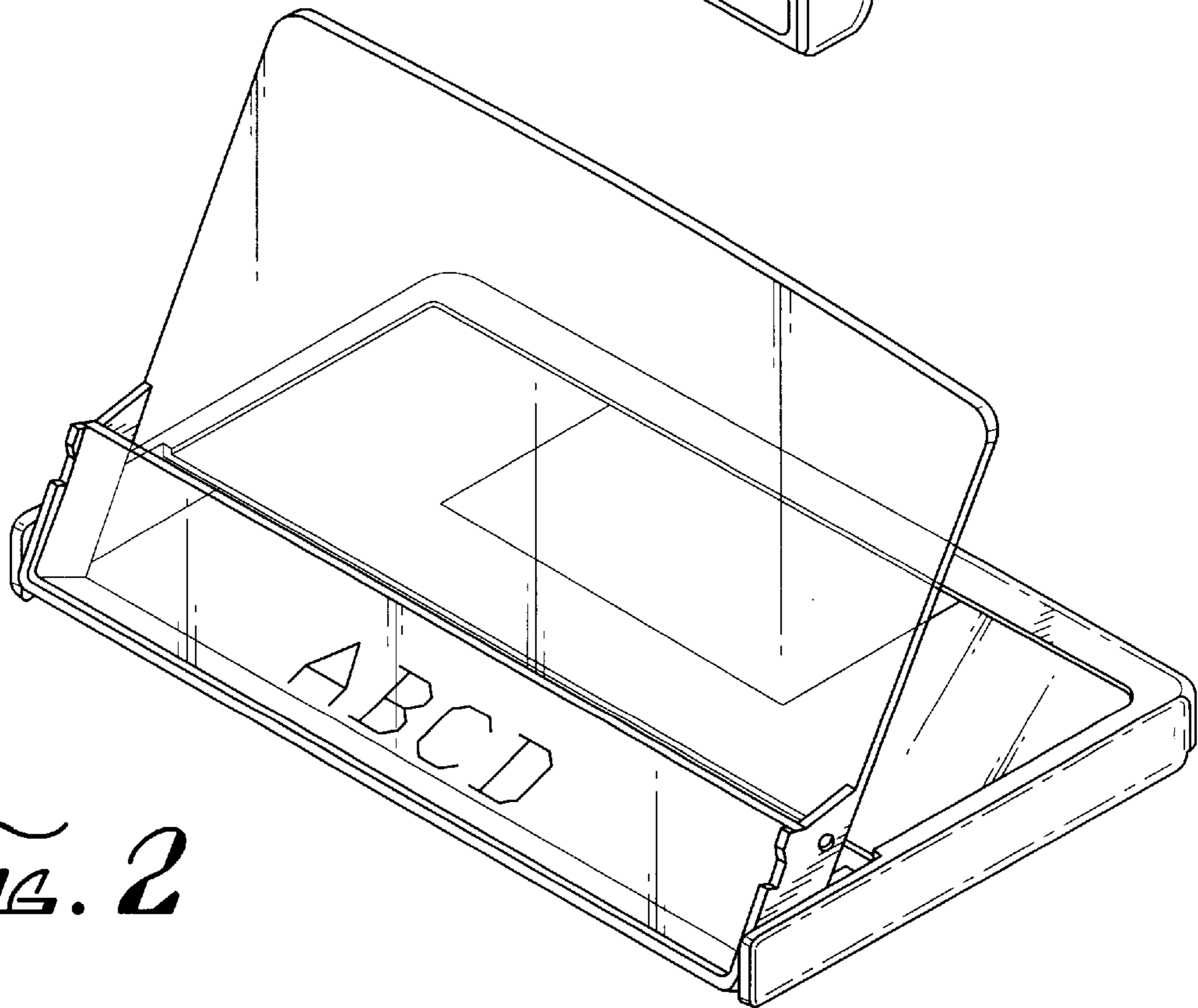
FIG. 1 is a perspective view of a card holder according to the present invention, in a closed position;  
 FIG. 2 is a perspective view of the card holder of FIG. 1 in its open position and with a printable surface thereon;  
 FIG. 3 is a top plan view of the card holder of FIG. 1;  
 FIG. 4 is a bottom plan view of the card holder of FIG. 1;  
 FIG. 5 is a front elevation view of the card holder of FIG. 1;  
 FIG. 6 is a rear elevation view of the card holder of FIG. 1;  
 FIG. 7 is a left side elevation view of the card holder of FIG. 1 with the back flap closed;  
 FIG. 8 is a perspective view of the card holder of FIG. 1 in its open position showing the slidably removable lip removed bearing printed indicia thereon; and,  
 FIG. 9 is a left side elevation of the card holder of FIG. 1 with the back flap open.

**1 Claim, 3 Drawing Sheets**

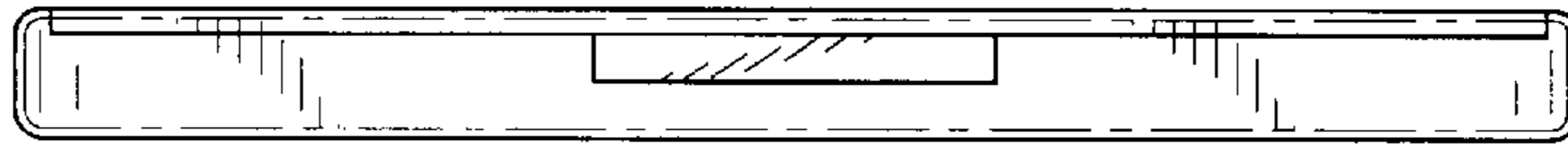




*FIG. 1*



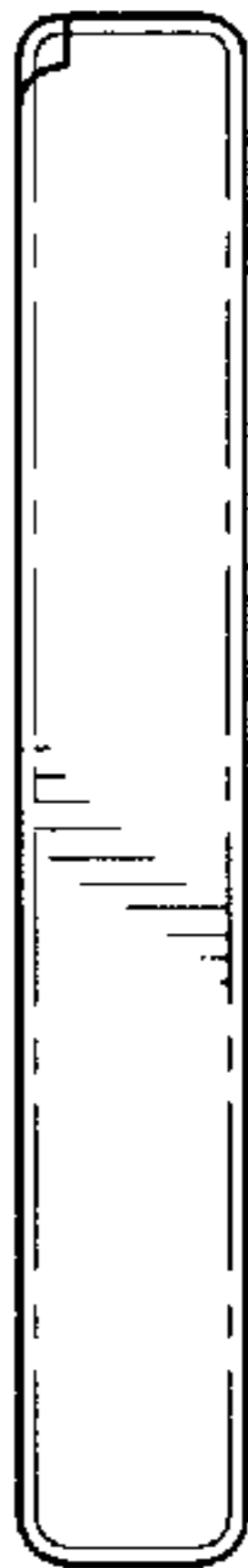
*FIG. 2*



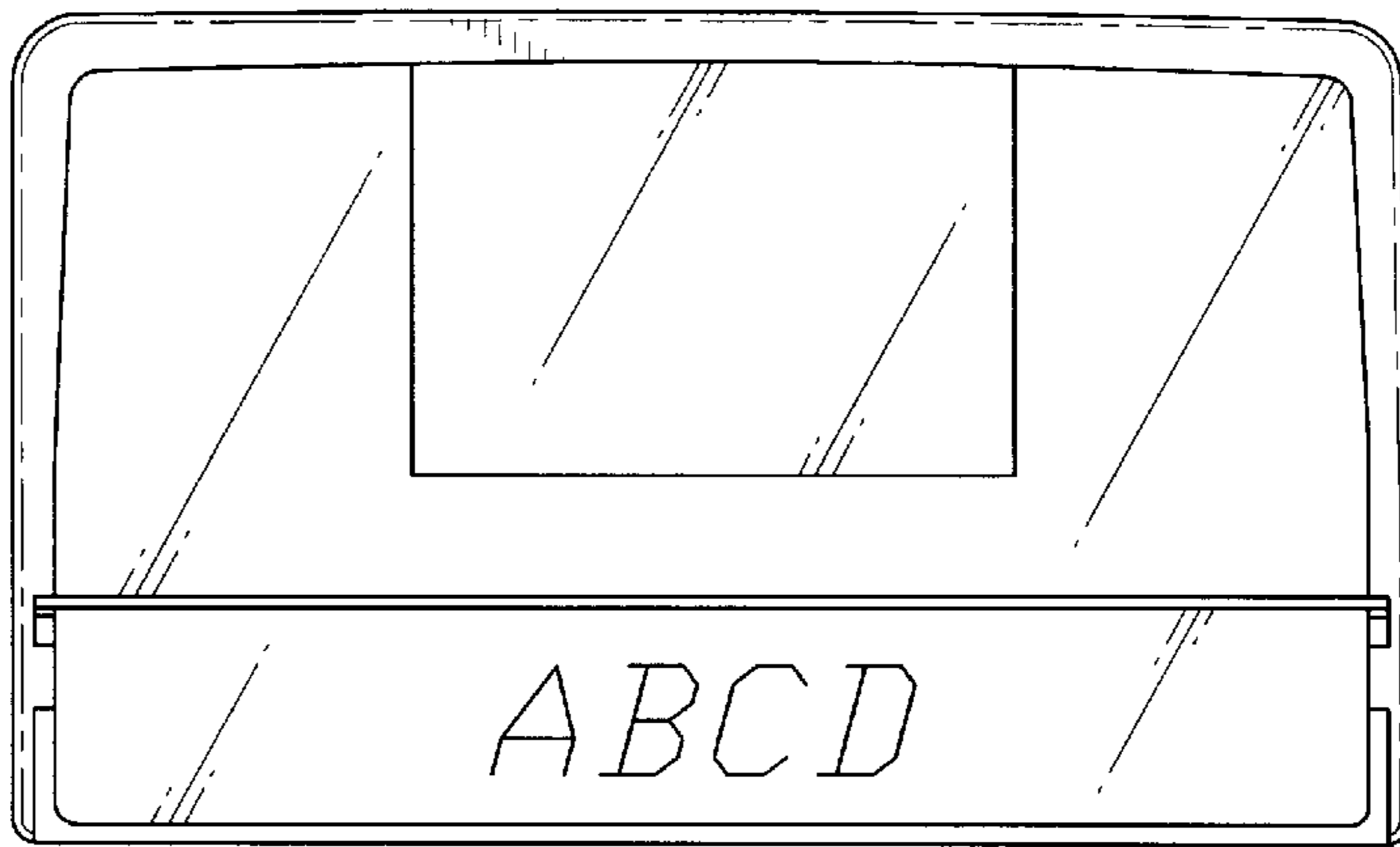
*FIG. 3*



*FIG. 4*

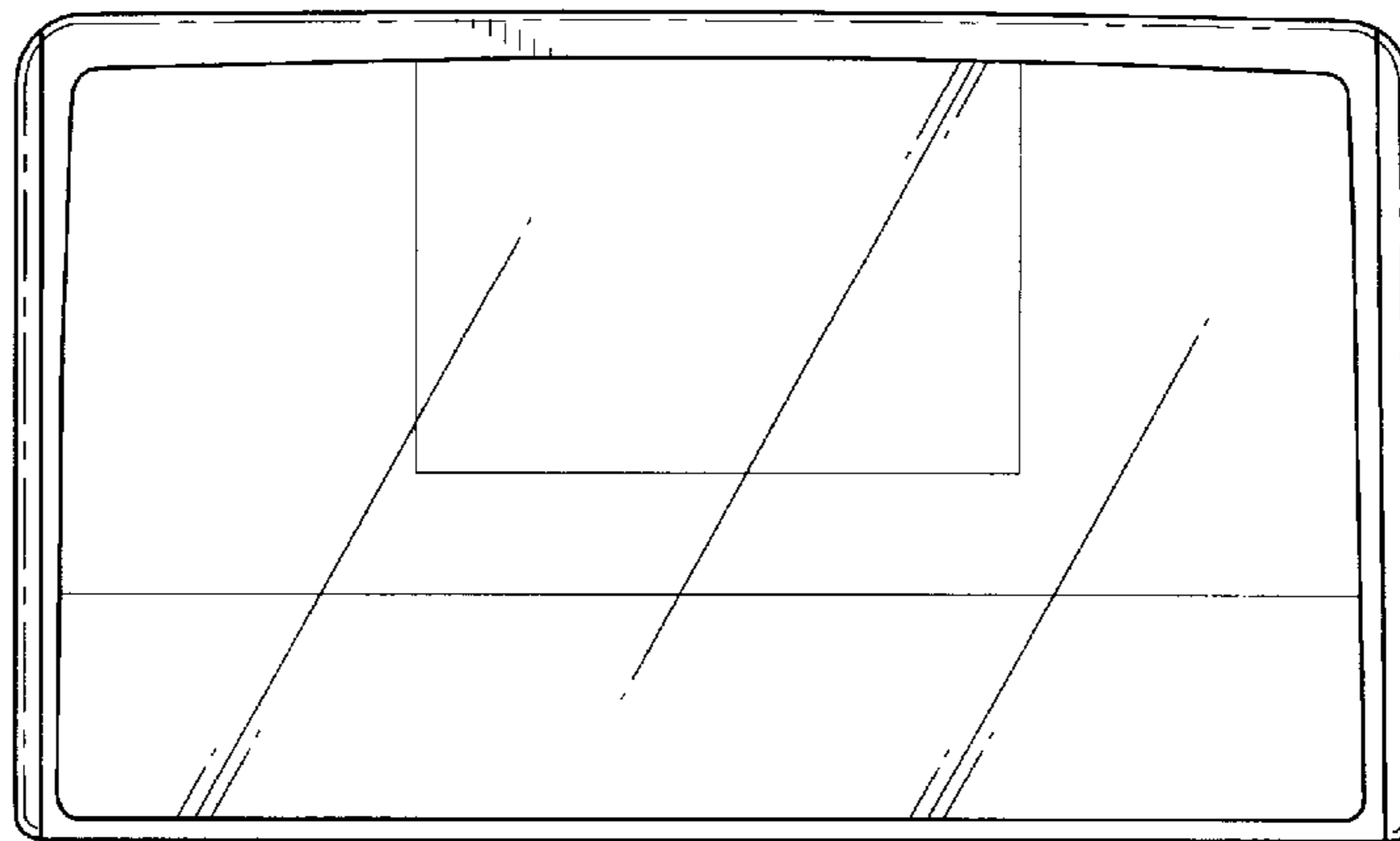


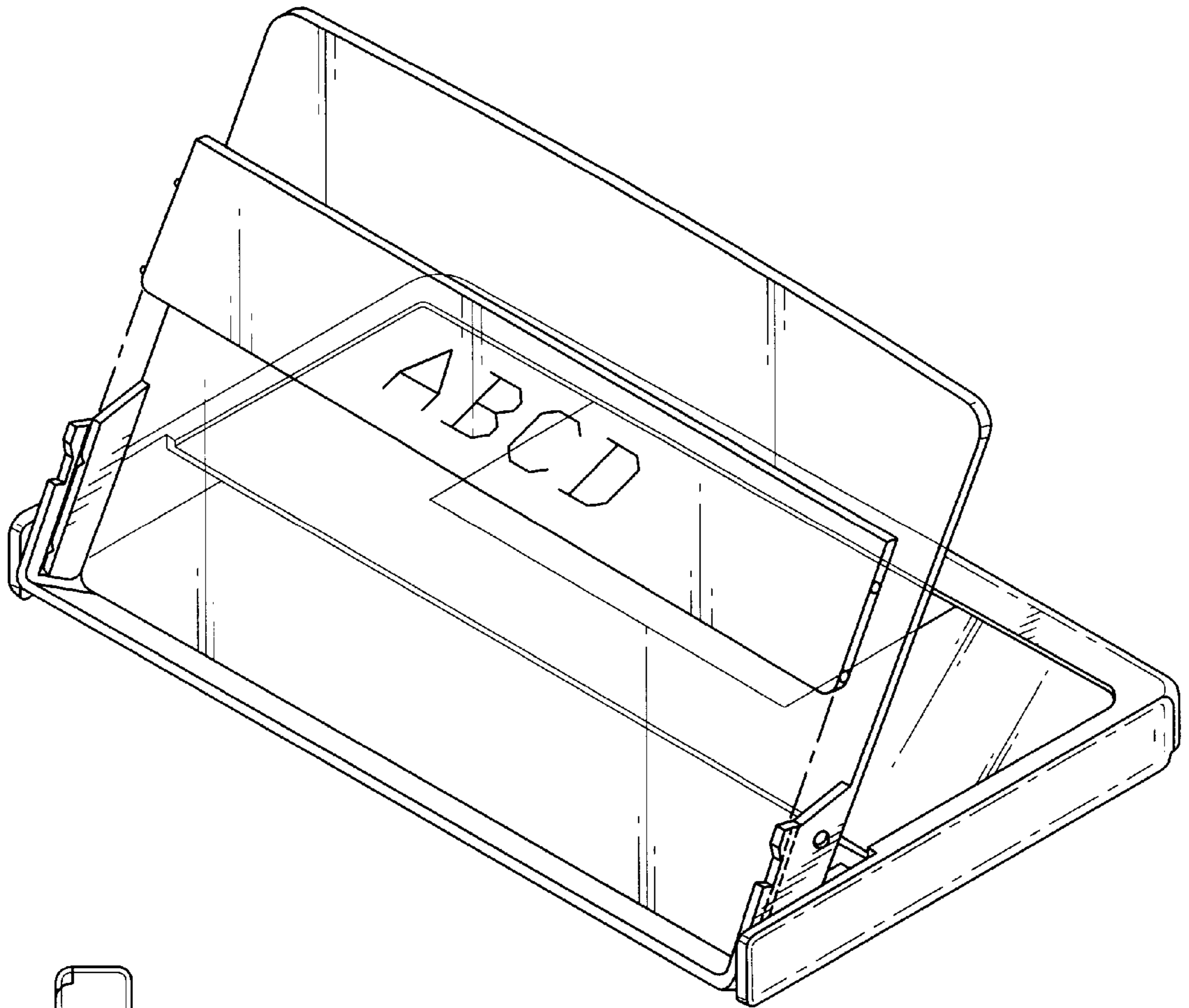
*FIG. 7*



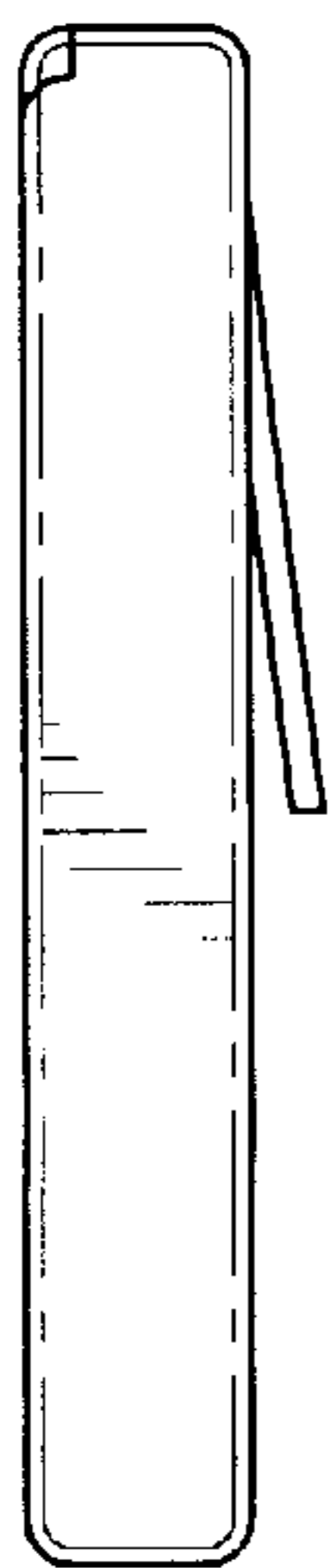
*FIG. 5*

*FIG. 6*





*FIG. 8*



*FIG. 9*