



US00D409663S

# United States Patent [19]

Wagner et al.

[11] Patent Number: Des. 409,663

[45] Date of Patent: \*\* May 11, 1999

[54] PUSH PIN

[75] Inventors: **David Wagner**, 800 Bromley Rd., Charlotte, N.C. 28207; **Christa Wagner**, Charlotte, N.C.

[73] Assignee: **David Wagner**, Charlotte, N.C.

[\*\*] Term: **14 Years**

[21] Appl. No.: **29/097,606**

[22] Filed: **Dec. 10, 1998**

### Related U.S. Application Data

[62] Division of application No. 29/081,626, Jan. 7, 1998.

[51] LOC (6) Cl. .... **19-02**

[52] U.S. Cl. .... **D19/65; D19/86; D8/388; D8/391**

[58] Field of Search ..... D8/399, 349, 382, D8/388, 389, 390, 391, 392, 393; D19/65, 99, 100, 86, 90, 91; 411/439, 473, 480-488, 500; 24/706, 711.4, 711.3; 472/51; 52/157

### [56] References Cited

#### U.S. PATENT DOCUMENTS

D. 24,631	8/1895	Warren	.....	D8/391
D. 24,632	8/1895	Warren	.....	D8/391
D. 25,266	3/1896	Warren et al.	.....	D8/391
D. 38,351	12/1906	Wyman	.....	D8/391
D. 38,352	12/1906	Wyman	.....	D8/391
112,378	3/1871	Porter	.	
D. 149,099	3/1948	Sweet	.	
D. 188,950	10/1960	Miller	.	
D. 237,681	11/1975	Knohl et al.	.....	D8/399
D. 243,580	3/1977	DeCaro	.	
D. 300,508	4/1989	Viening	.....	D8/391

482,257	9/1892	Larkin	.
816,095	3/1906	House	.
1,182,305	5/1916	Norcross	.
1,207,960	12/1916	McNeill	.
1,338,154	4/1920	Pipkin	.
1,991,561	2/1935	Krantz	.
2,266,432	12/1941	Morin	.
3,205,757	9/1965	Kuennen	.
3,361,461	1/1968	MacPhail	.
5,370,487	12/1994	Kracke	.
5,575,122	11/1996	Hamilton et al.	.

Primary Examiner—Martie K. Holtje  
Attorney, Agent, or Firm—Alston & Bird LLP

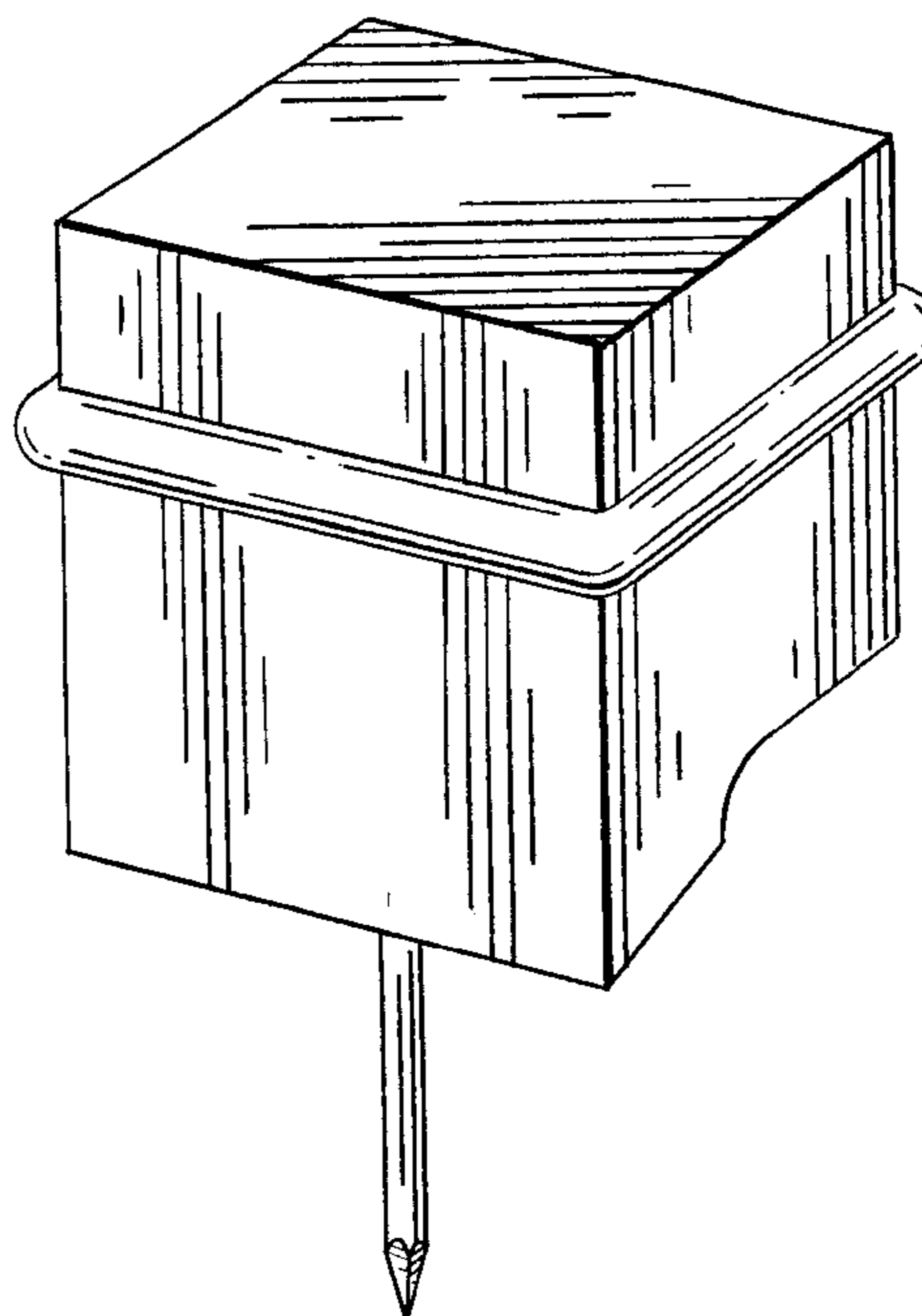
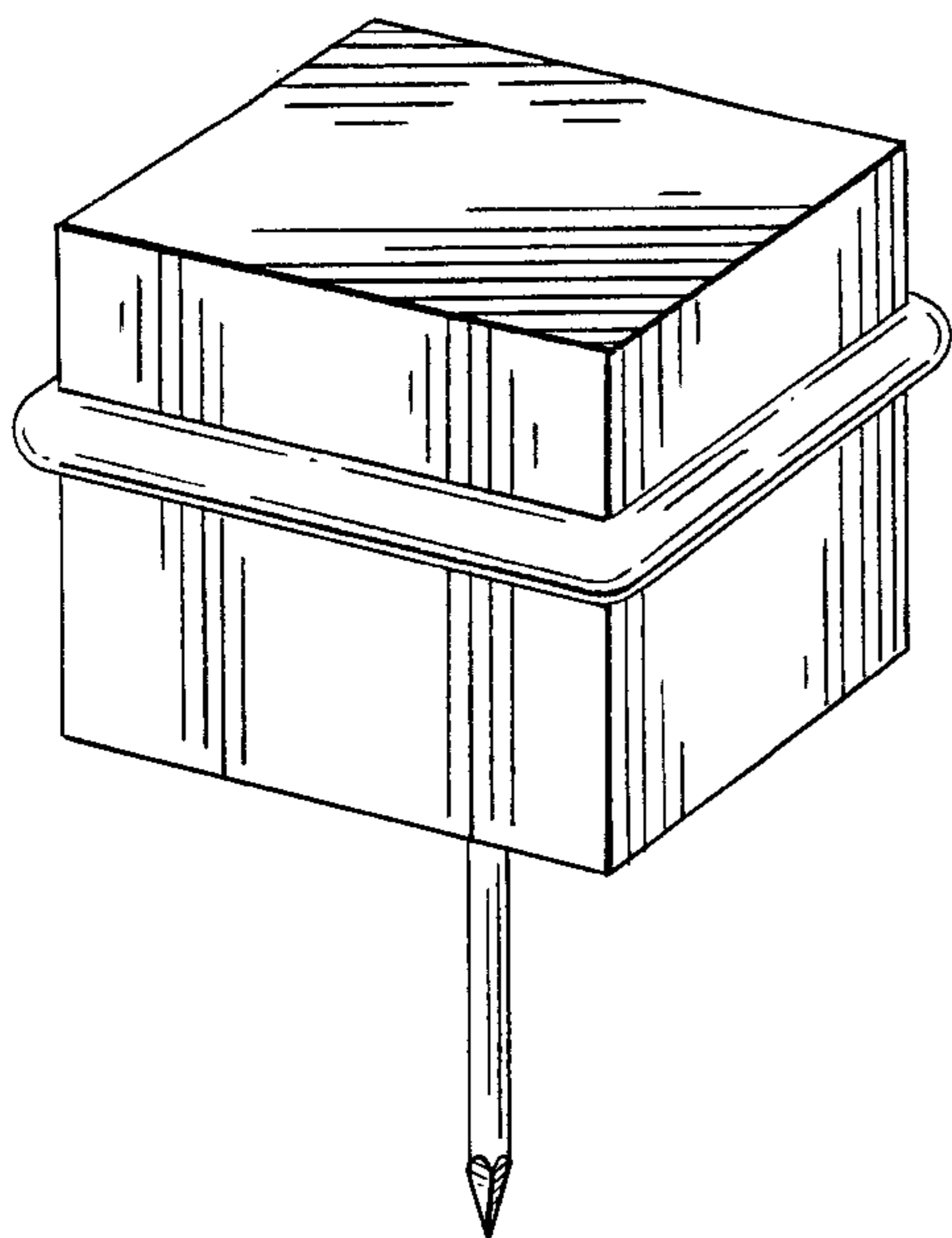
### [57] CLAIM

The ornamental design for a push pin, as shown and described.

### DESCRIPTION

FIG. 1 is a perspective view of a push pin showing our new design;  
 FIG. 2 is a top plan view;  
 FIG. 3 is a side elevational view, the opposite side being identical thereto;  
 FIG. 4 is a bottom plan view;  
 FIG. 5 is a front elevational view;  
 FIG. 6 is a rear elevational view;  
 FIG. 7 is a perspective view of a second embodiment of our design of FIG. 1;  
 FIG. 8 is a top plan view;  
 FIG. 9 is a side elevational view, the opposite side being a mirror image thereof;  
 FIG. 10 is a bottom plan view;  
 FIG. 11 is a front elevational view thereto; and,  
 FIG. 12 is a rear elevational view thereof.

1 Claim, 6 Drawing Sheets



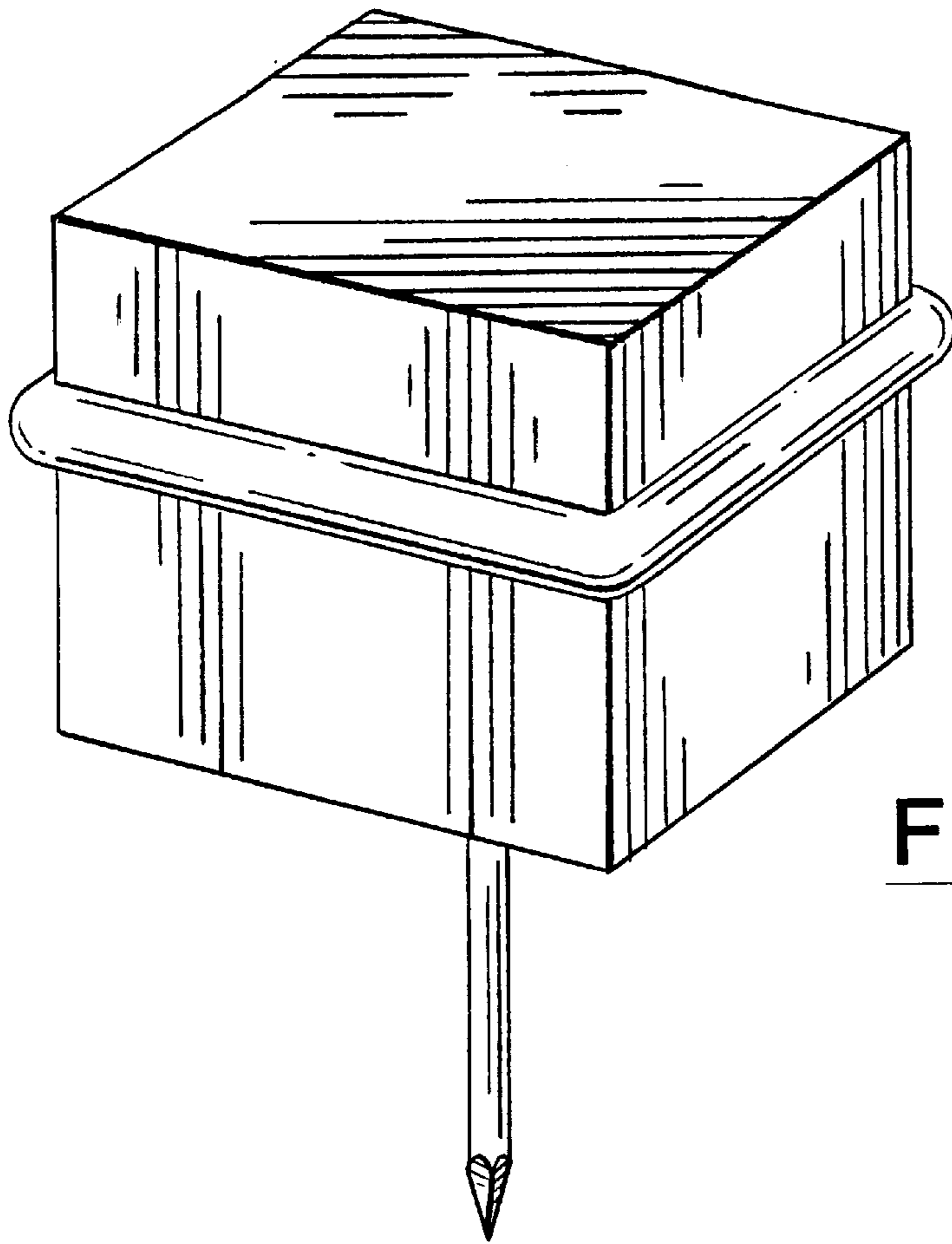


FIG. 1.

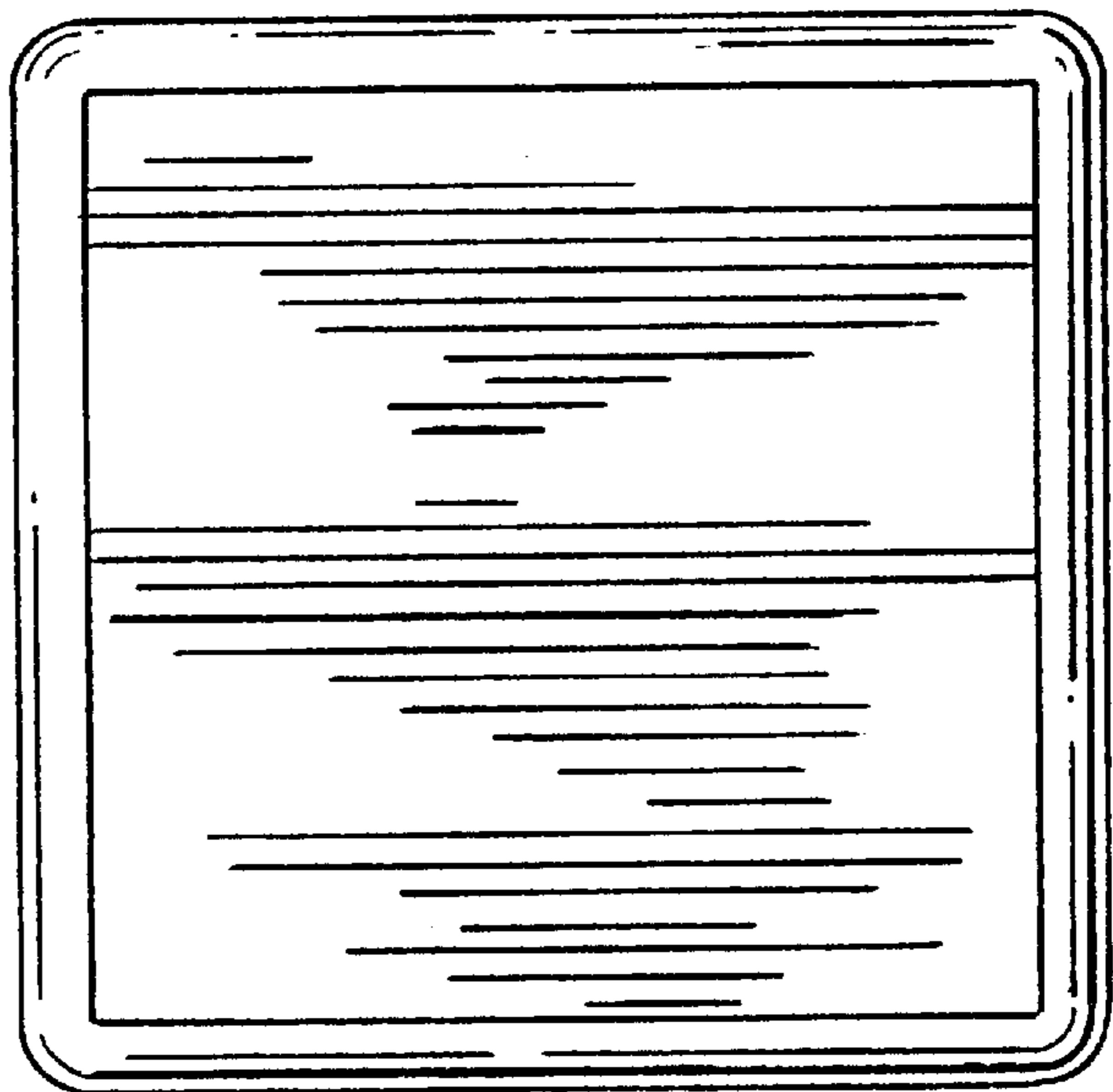


FIG. 2.

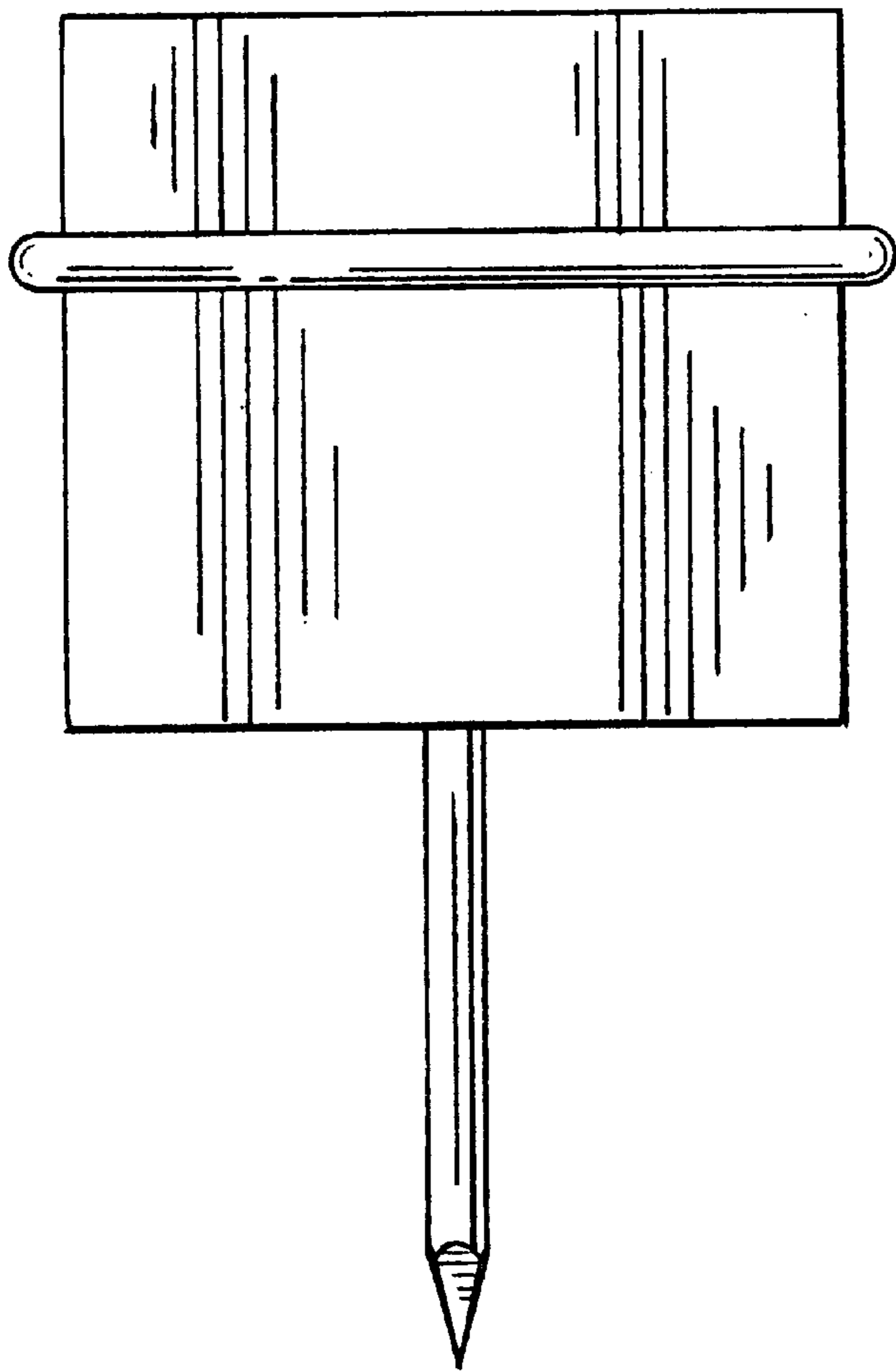


FIG. 3.

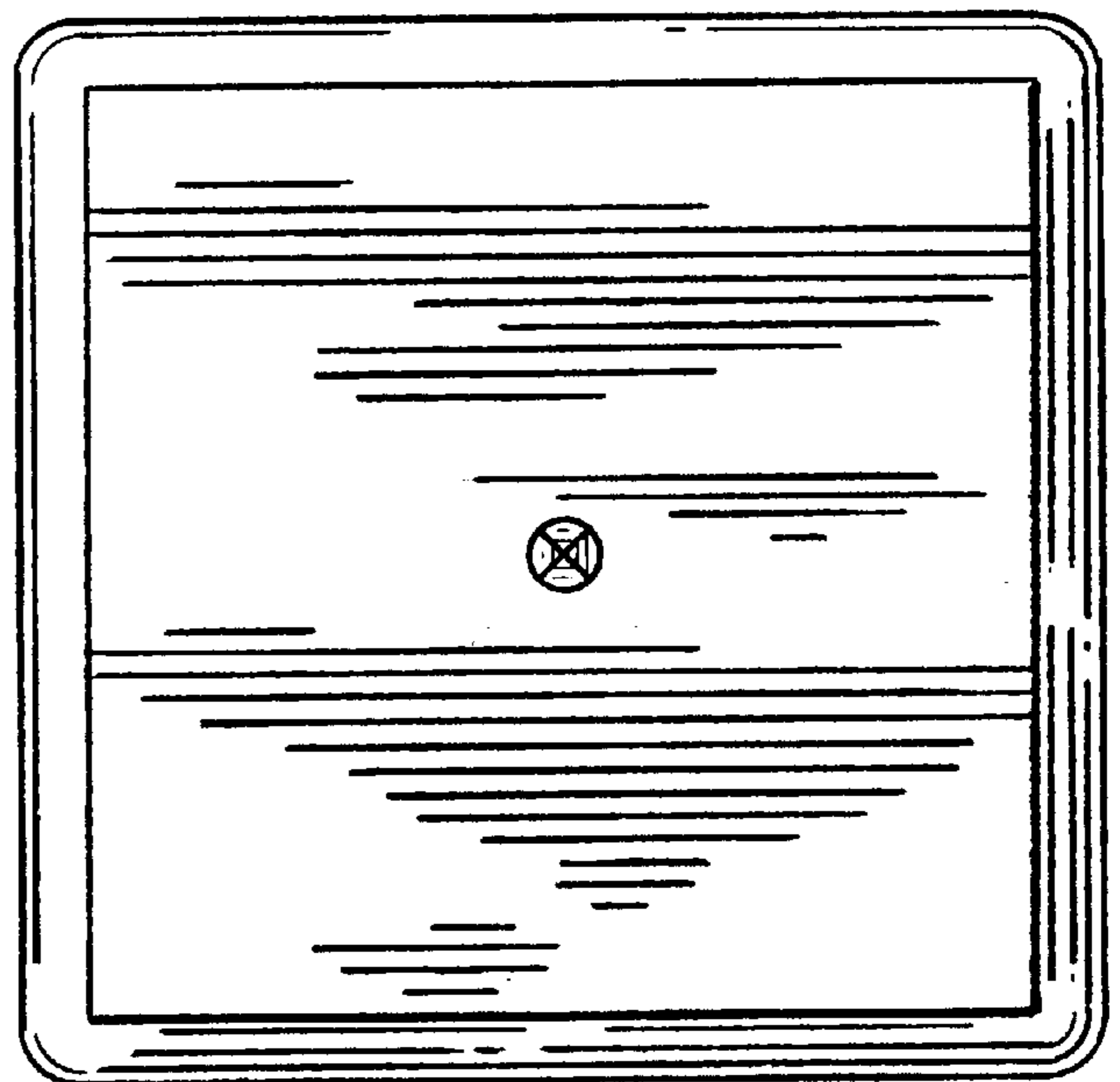


FIG. 4.

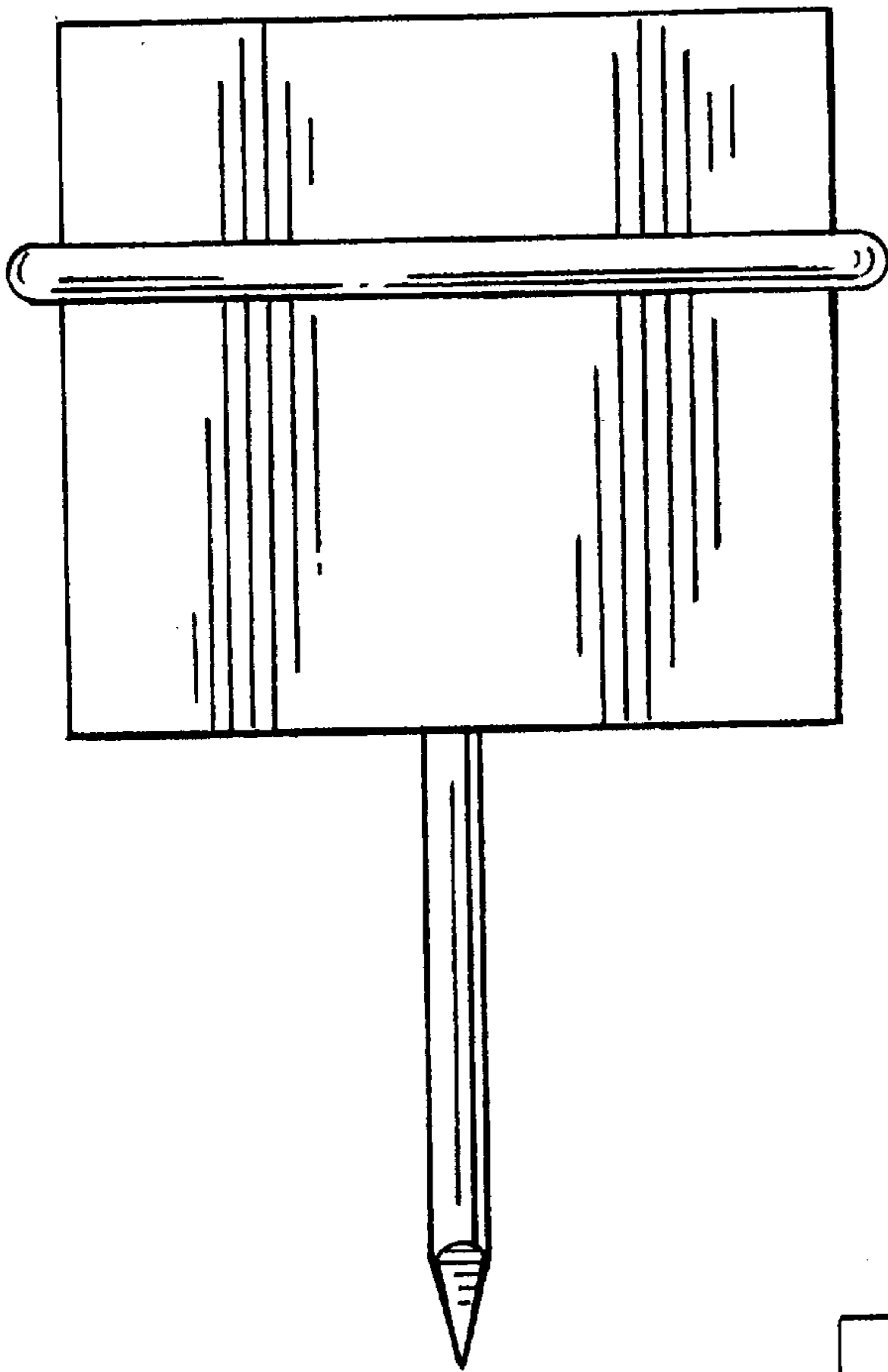


FIG. 5.

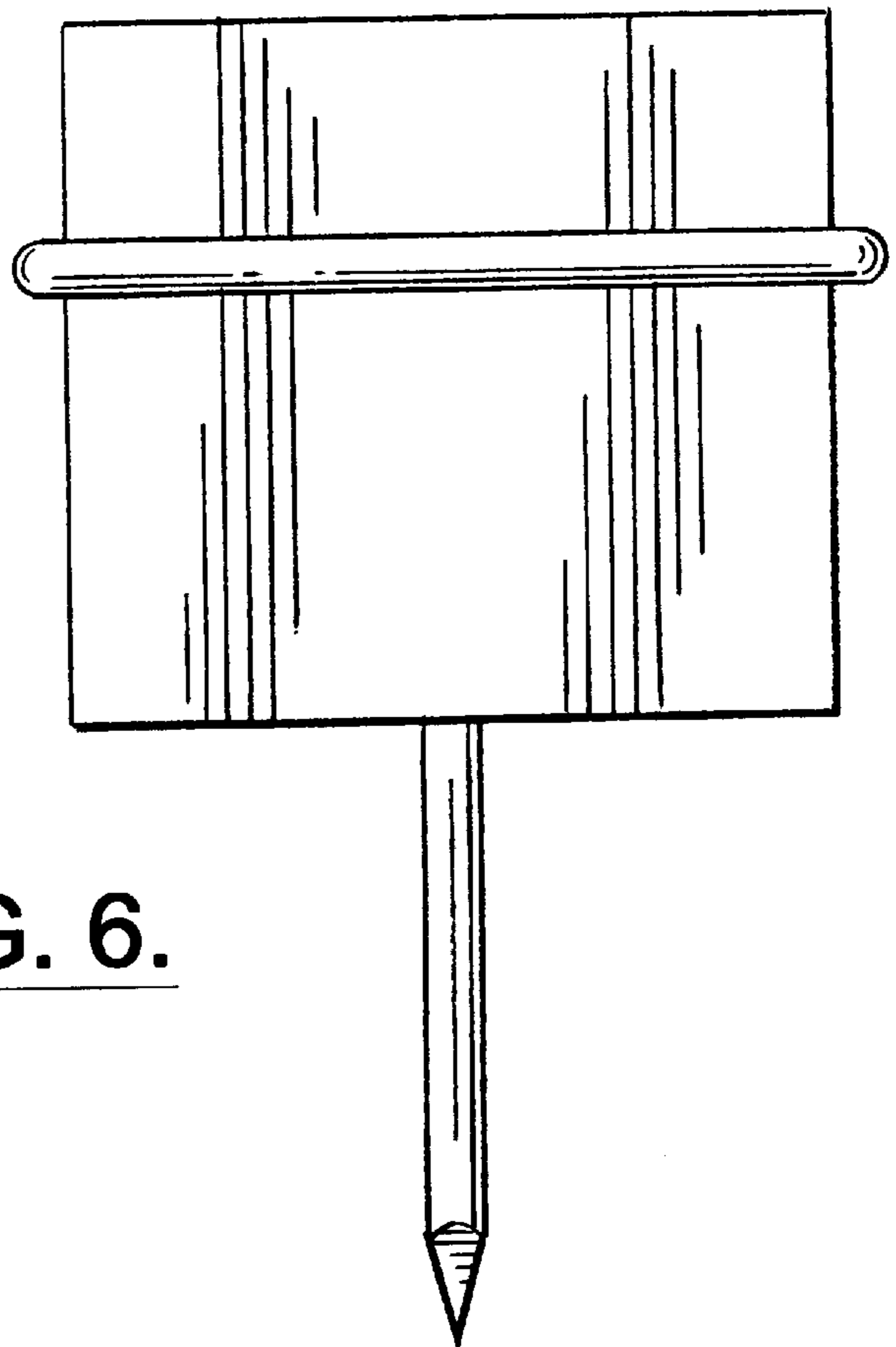


FIG. 6.

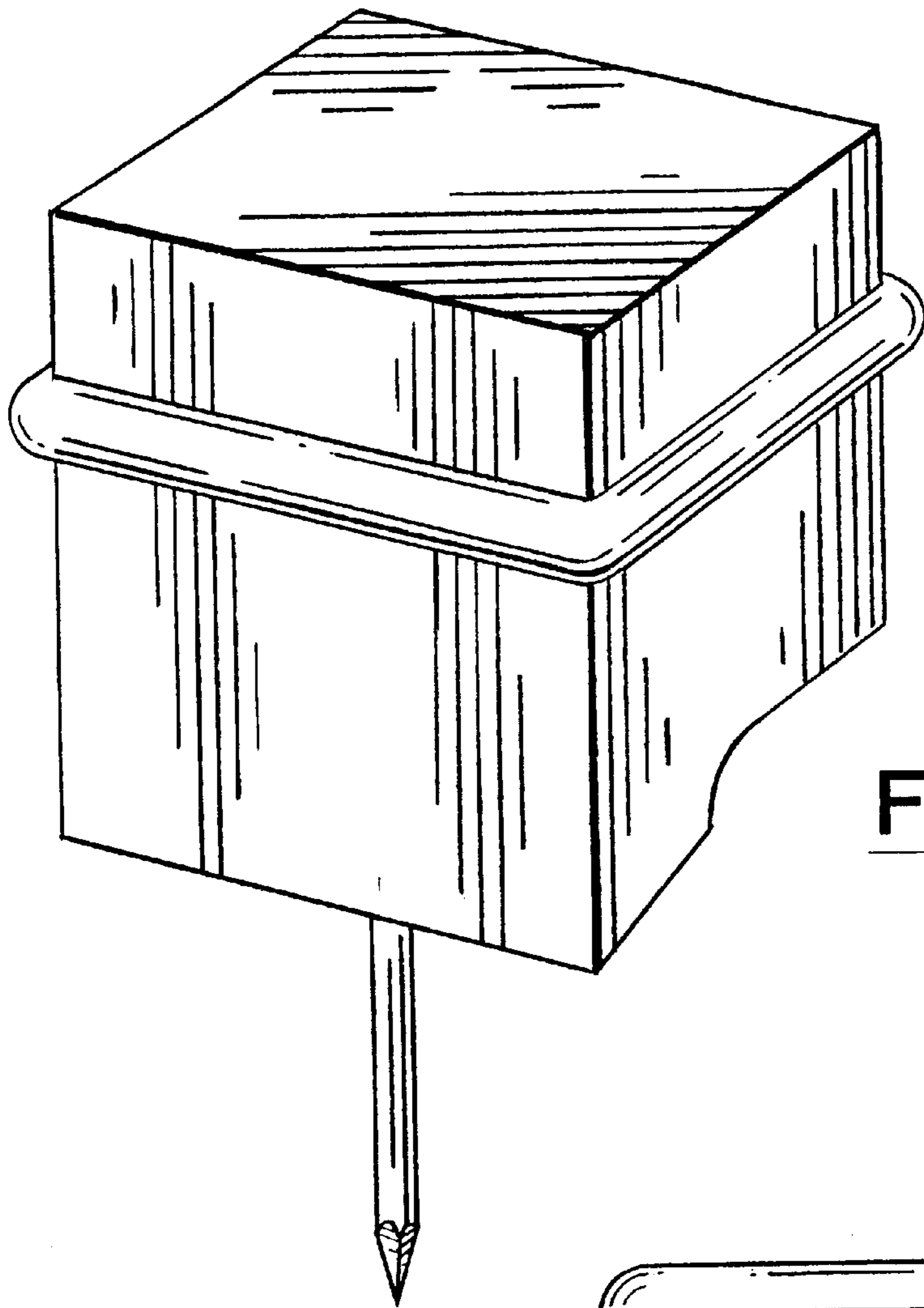


FIG. 7.

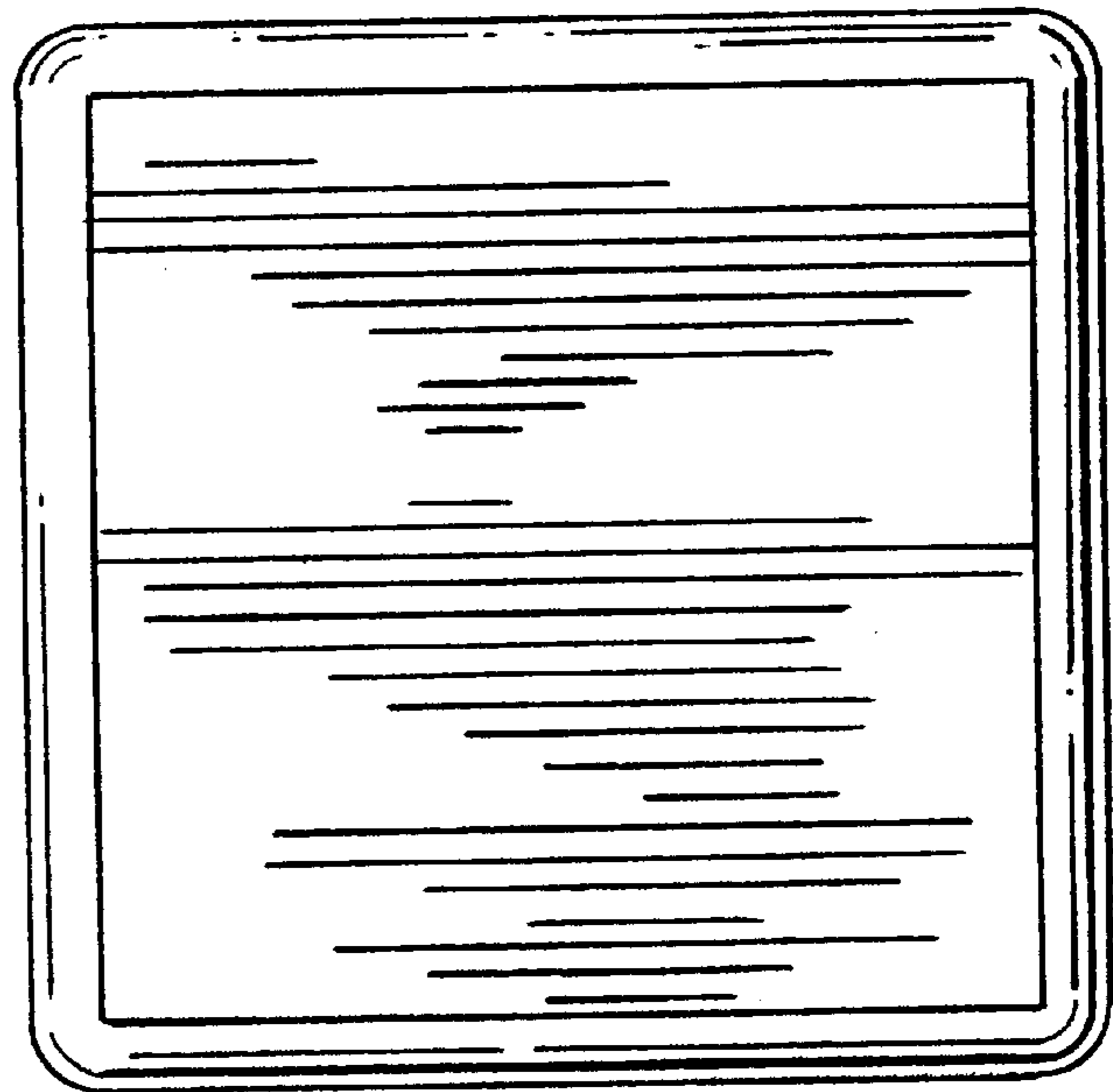


FIG. 8.

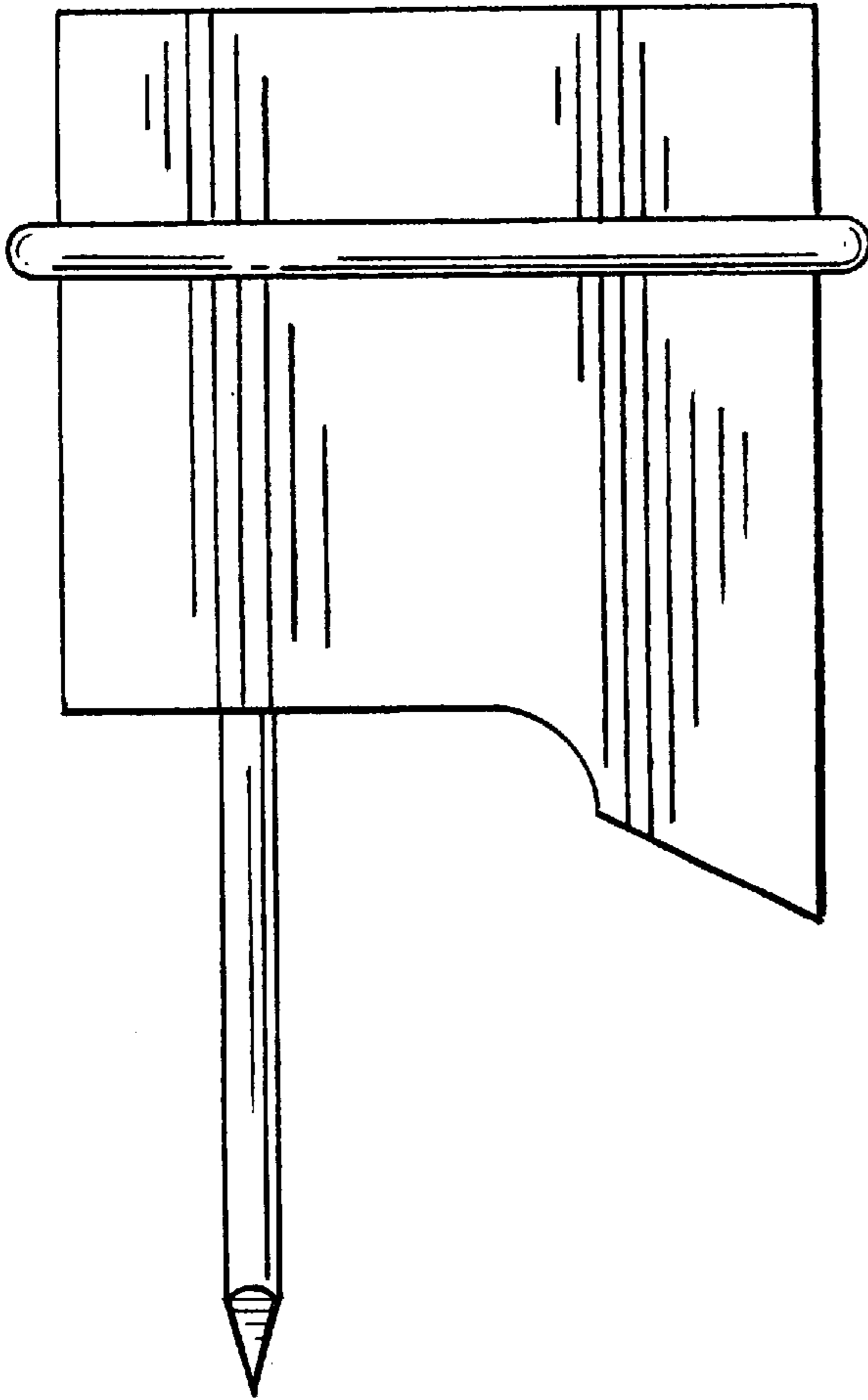


FIG. 9.

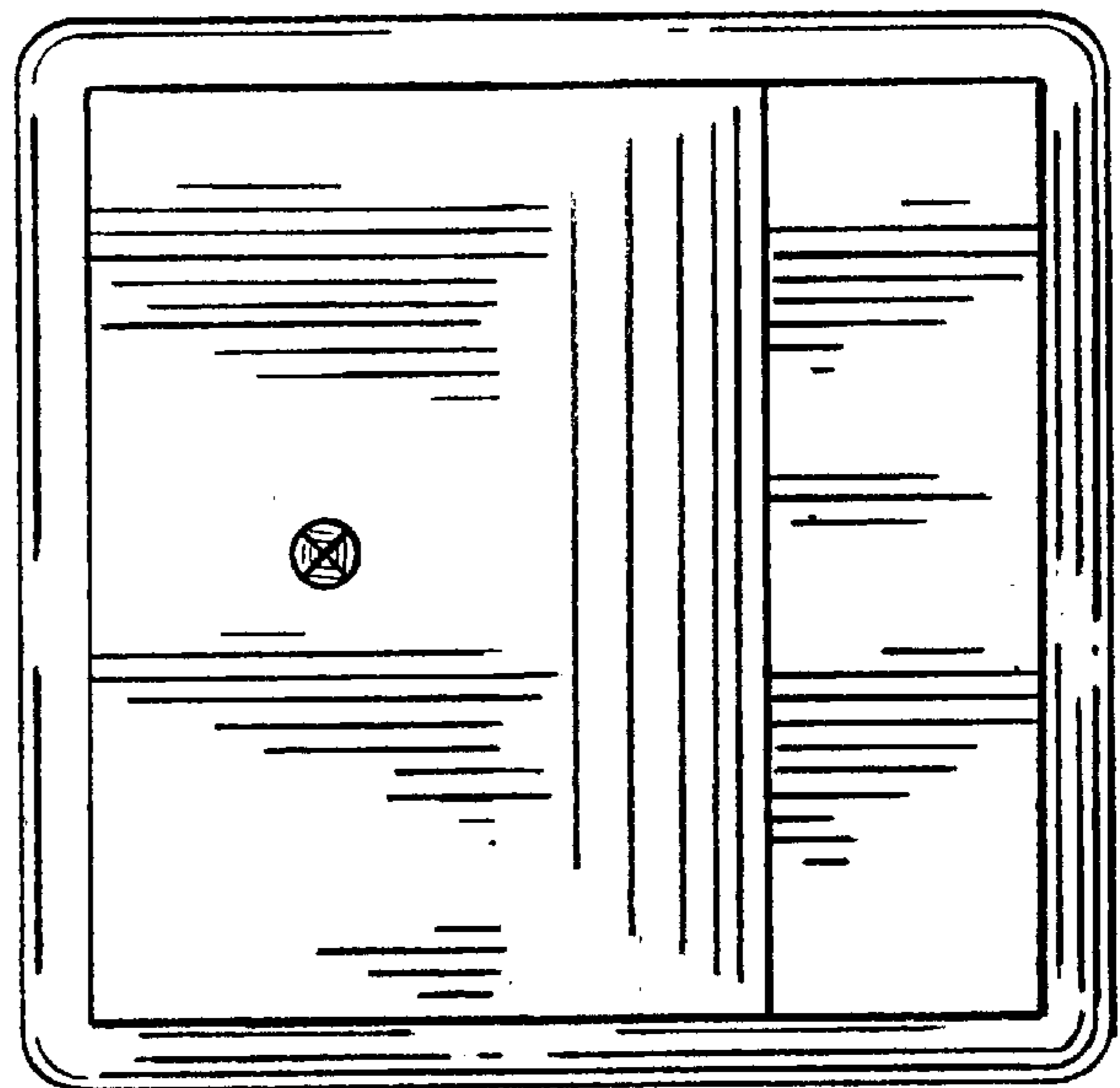


FIG. 10.



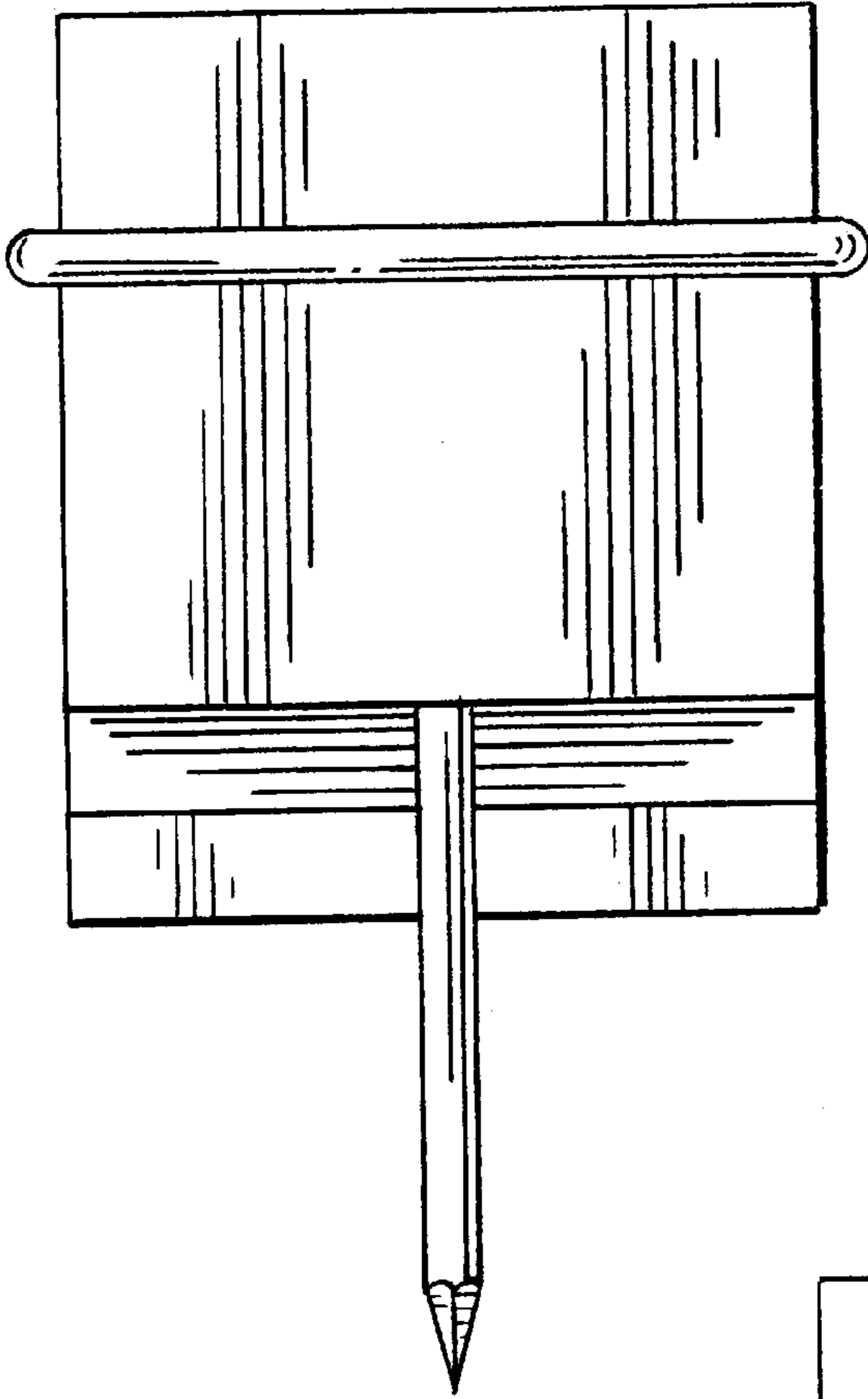


FIG. 11.

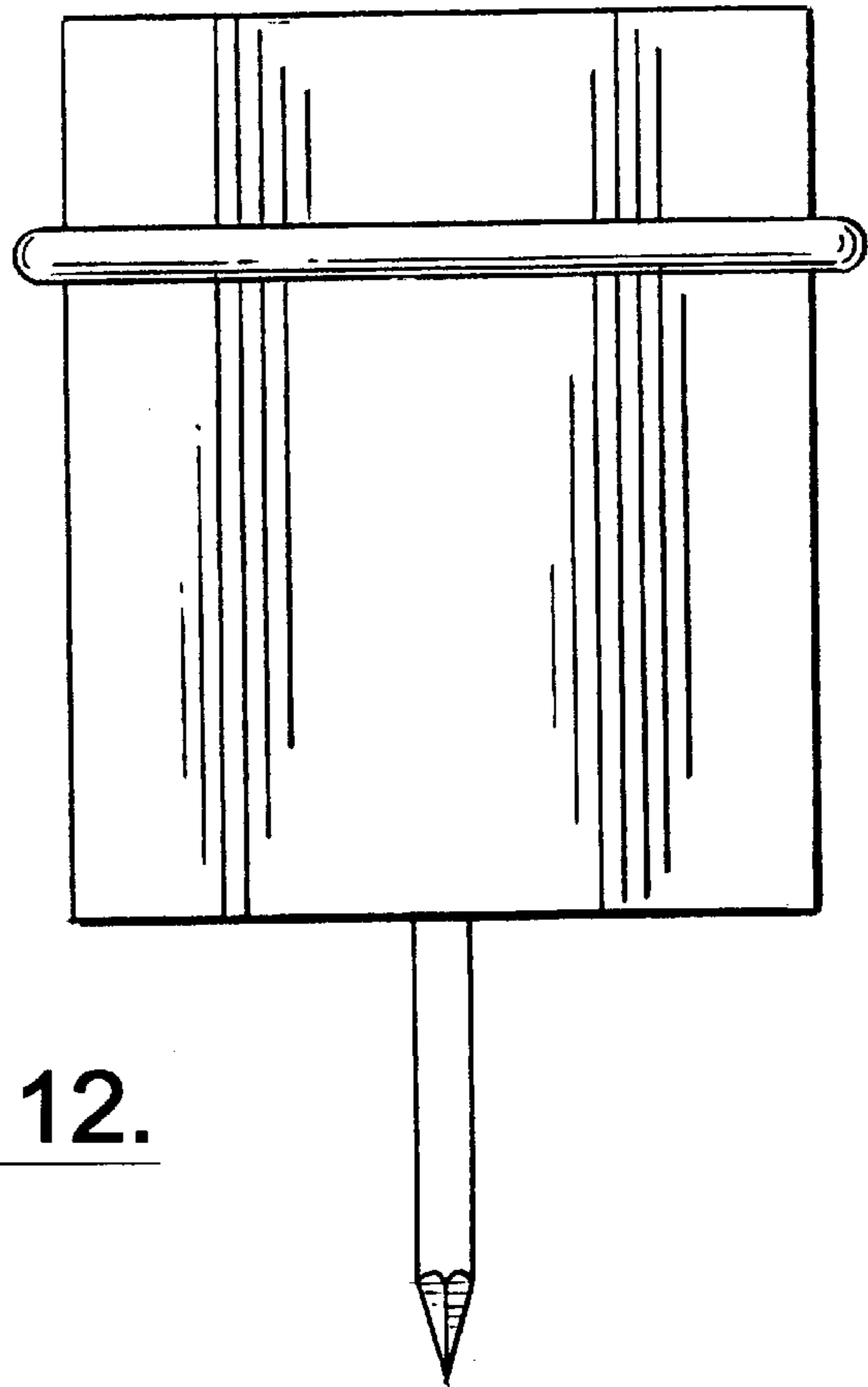


FIG. 12.