



US00D409653S

United States Patent [19]

[11] **Patent Number: Des. 409,653**

Kishimoto et al.

[45] **Date of Patent: ** May 11, 1999**

[54] **TONER CARTRIDGE**

D. 351,187	10/1994	Suga	D18/40
D. 364,184	11/1995	Satake et al.	D18/43
D. 366,897	2/1996	Komada et al.	D18/43
D. 376,614	12/1996	Ichikawa et al.	D18/40

[75] Inventors: **Teruki Kishimoto; Masakazu Taoka,**
both of Osaka, Japan

[73] Assignee: **Mita Industrial Co., Ltd.,** Osaka-fu,
Japan

Primary Examiner—Caron D. Veynar
Attorney, Agent, or Firm—Jordan and Hamburg LLP

[**] Term: **14 Years**

[57] **CLAIM**

[21] Appl. No.: **29/083,657**

The ornamental design for a toner cartridge, as shown and described.

[22] Filed: **Feb. 13, 1998**

[30] **Foreign Application Priority Data**

DESCRIPTION

Aug. 22, 1997 [JP] Japan 9-65366

FIG. 1 is a perspective view of a toner cartridge;

[51] **LOC (6) Cl.** **16-03**

FIG. 2 is a front view of the toner cartridge;

[52] **U.S. Cl.** **D18/43**

FIG. 3 is a top view of the toner cartridge;

[58] **Field of Search** D18/36, 40, 43,
D18/56; 399/24, 25, 27, 28, 61, 99, 106,
262

FIG. 4 is a rear view of the toner cartridge;

FIG. 5 is a bottom view of the toner cartridge;

FIG. 6 is a left side view of the toner cartridge; and,

FIG. 7 is a right view of the toner cartridge.

[56] **References Cited**

U.S. PATENT DOCUMENTS

D. 242,528 11/1976 Weckman D18/43

1 Claim, 4 Drawing Sheets

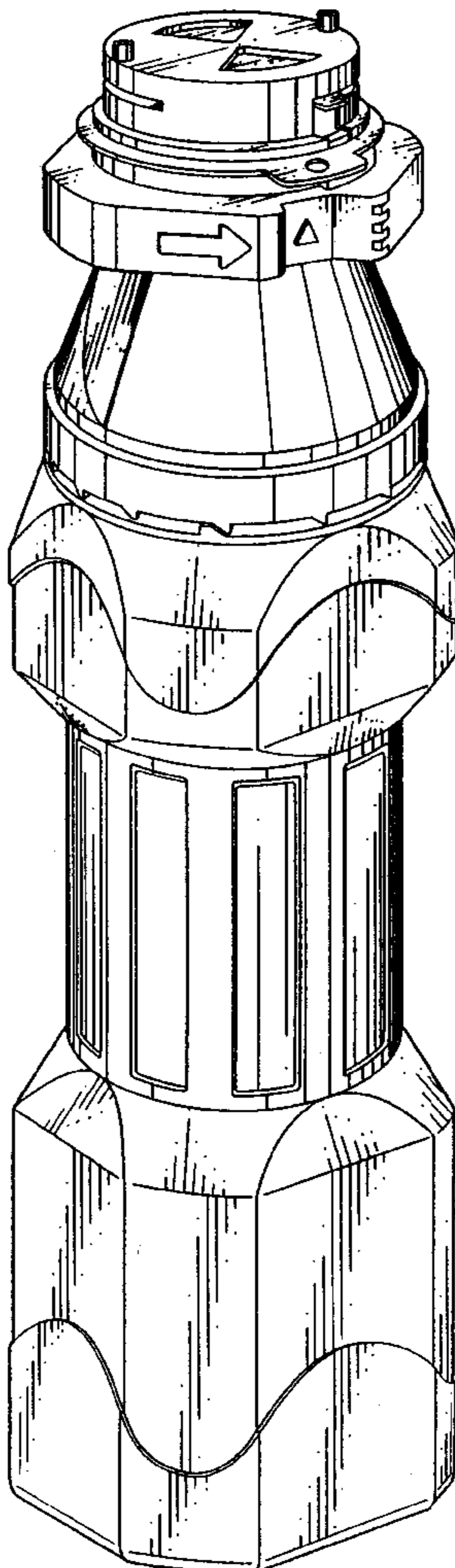


FIG. 1

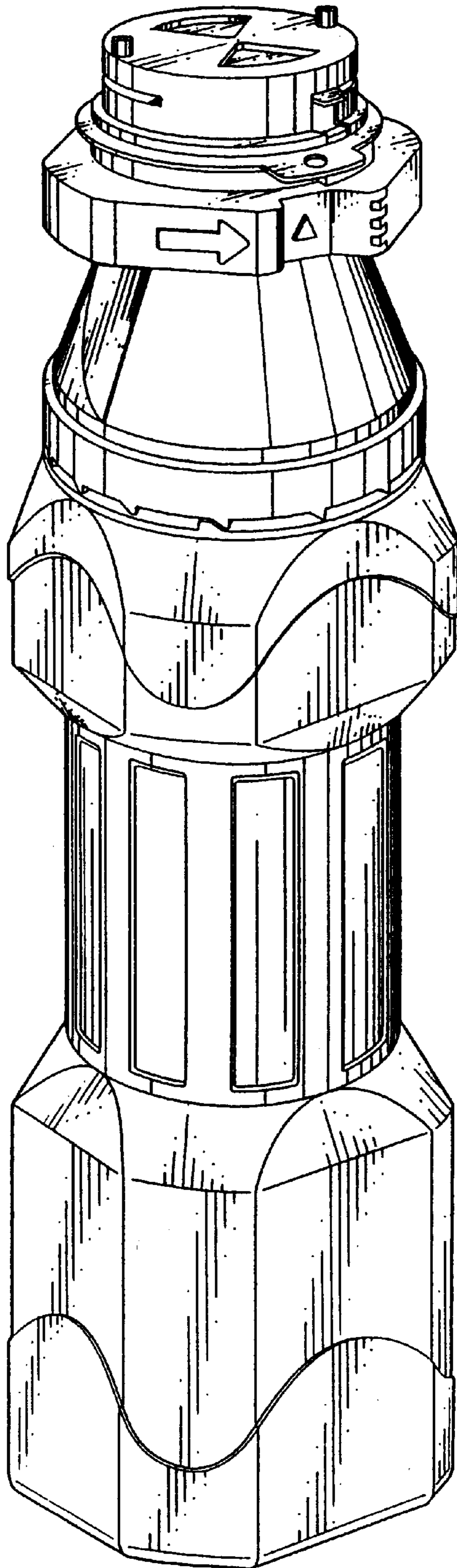


FIG. 2

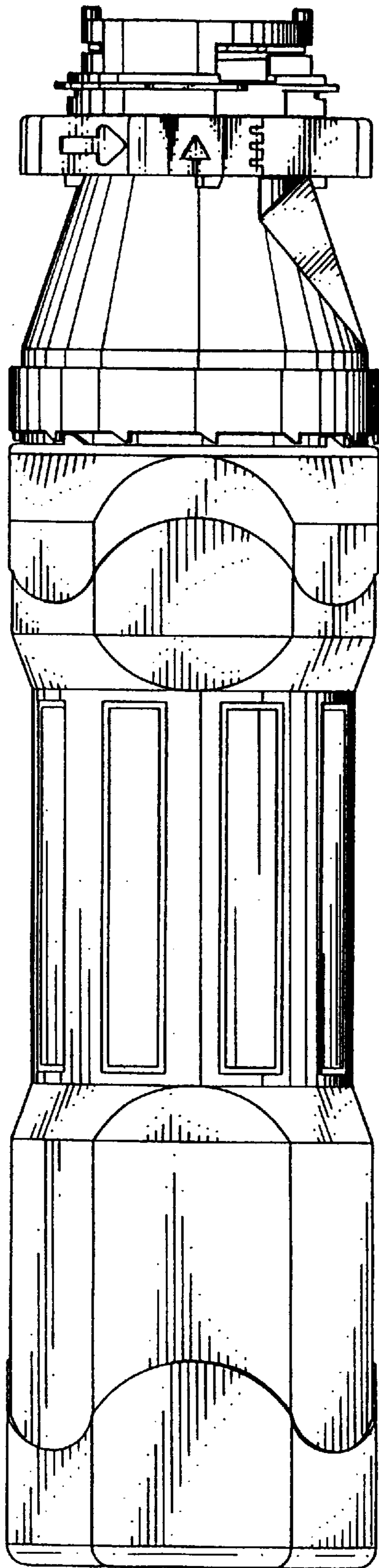


FIG. 3

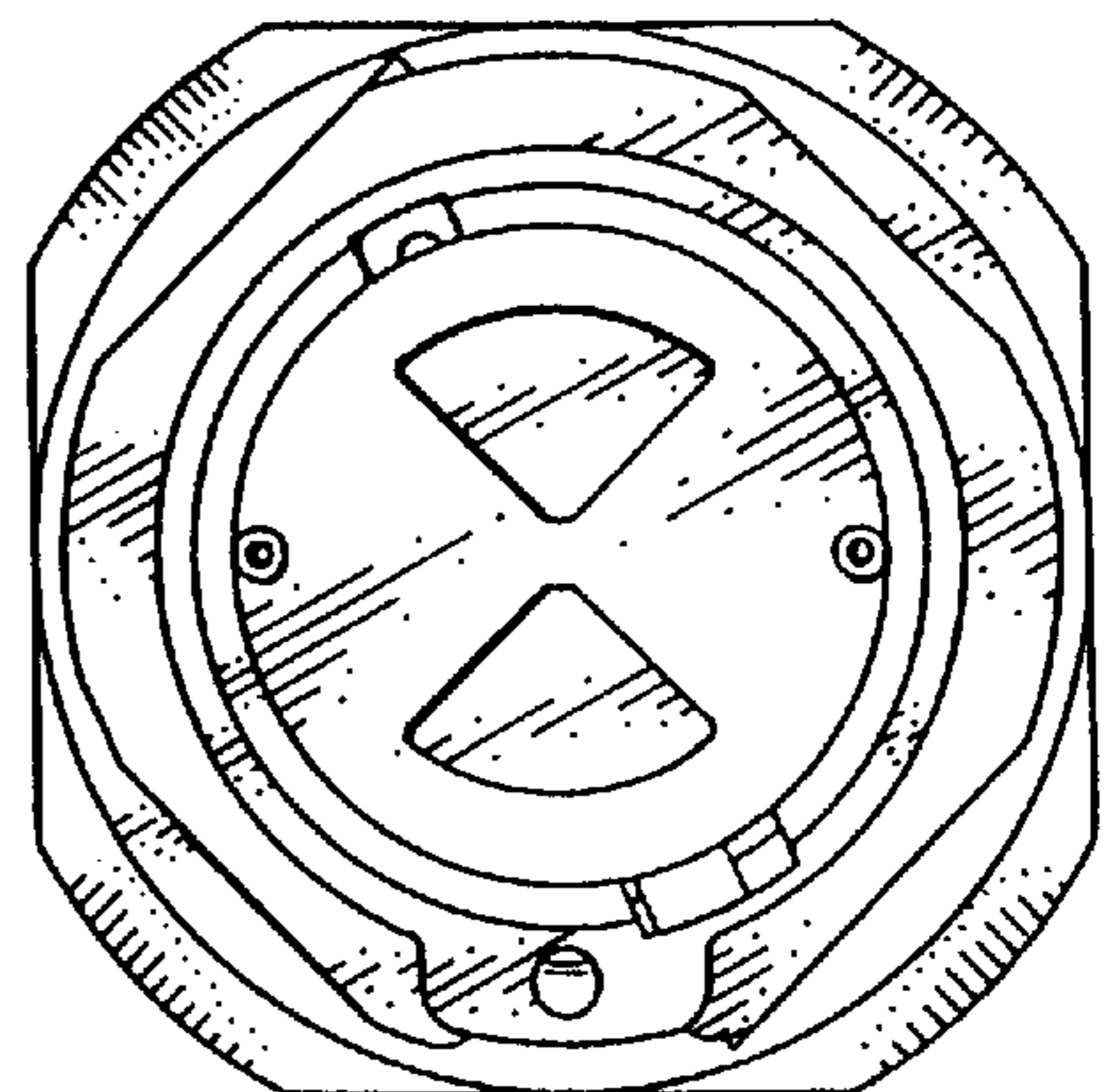


FIG. 4

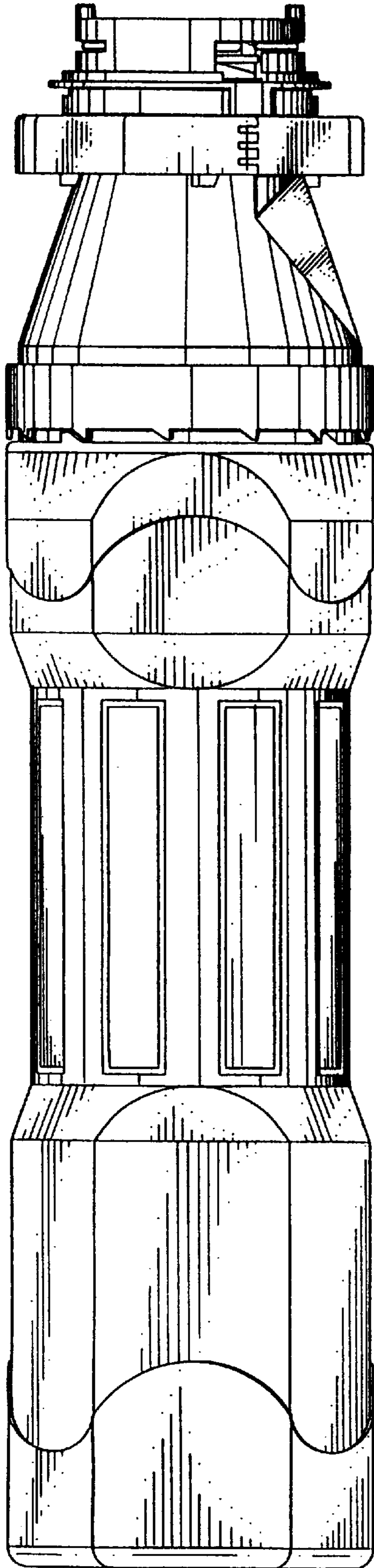


FIG. 5

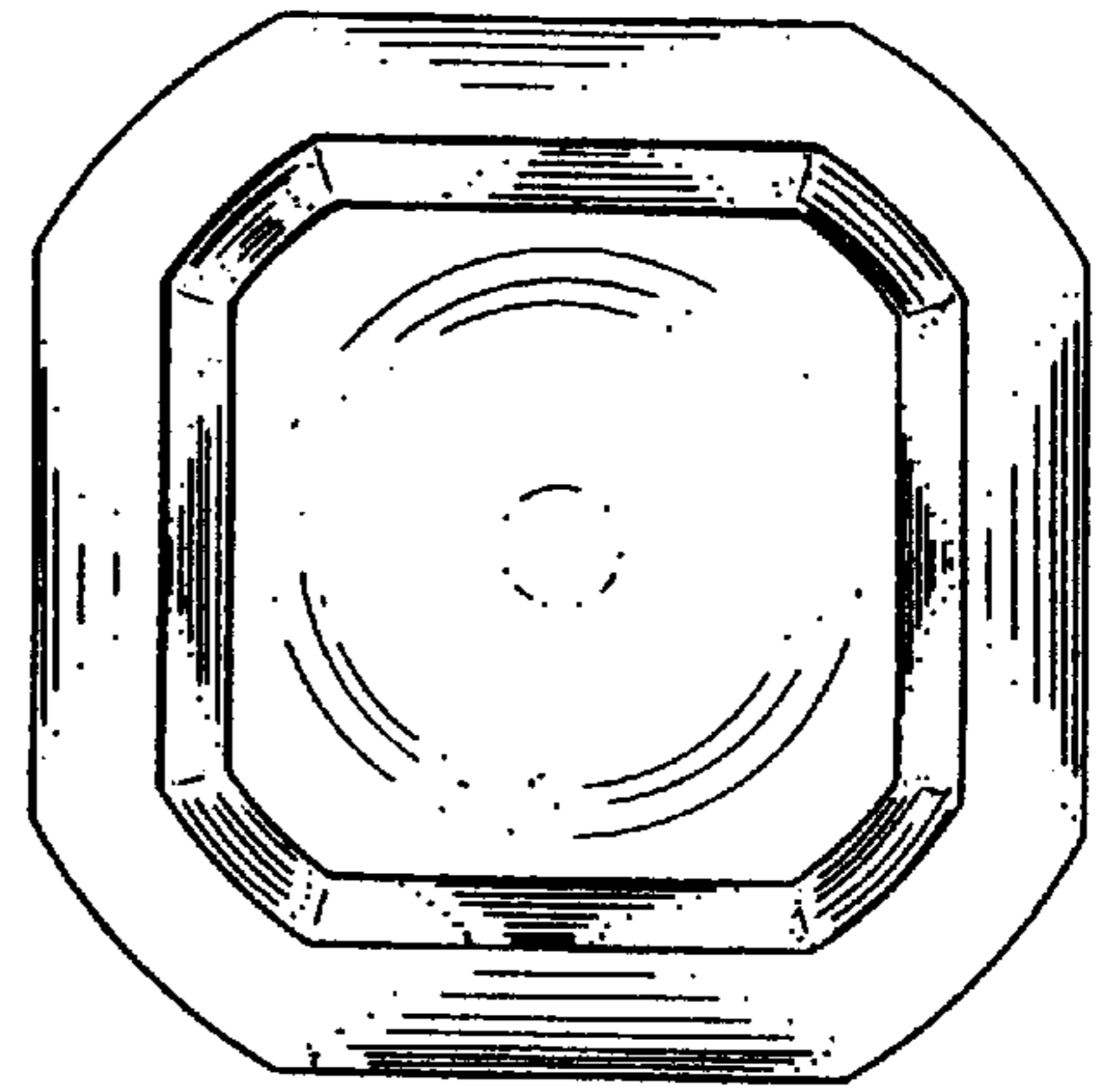


FIG. 6

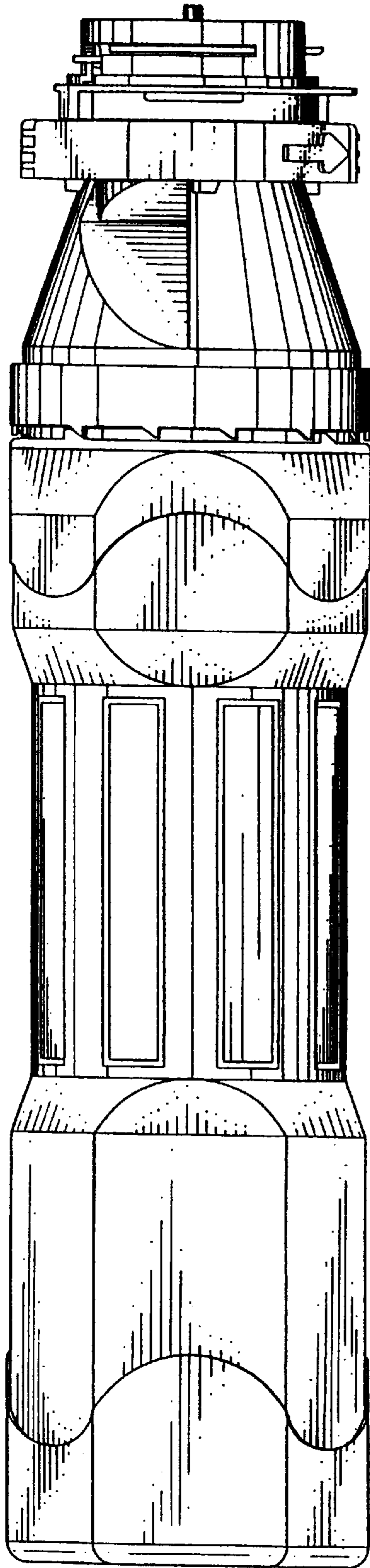


FIG. 7

