



US00D409652S

# United States Patent [19] Aimoto

[11] **Patent Number: Des. 409,652**

[45] **Date of Patent: \*\* May 11, 1999**

[54] **TONER CARTRIDGE**

[75] Inventor: **Toyoka Aimoto**, Nara-ken, Japan

[73] Assignee: **Sharp Kabushiki Kaisha**, Osaka, Japan

[\*\*] Term: **14 Years**

[21] Appl. No.: **29/081,141**

[22] Filed: **Dec. 23, 1997**

[30] **Foreign Application Priority Data**

Jun. 23, 1997 [JP] Japan ..... 9-59236

[51] **LOC (6) Cl. .... 16-03**

[52] **U.S. Cl. .... D18/43**

[58] **Field of Search** ..... D18/36, 40, 43,  
D18/56; 399/24, 25, 31, 130, 262; 222/DIG. 1,  
166, 240, 325

[56] **References Cited**

**U.S. PATENT DOCUMENTS**

D. 356,107 3/1995 Watanabe et al. .... D18/43

D. 364,418 11/1995 Hagiwara et al. .... D18/43  
D. 379,194 5/1997 Sundquist et al. .... D18/43

*Primary Examiner*—Caron D. Veynar  
*Attorney, Agent, or Firm*—Nixon & Vanderhye

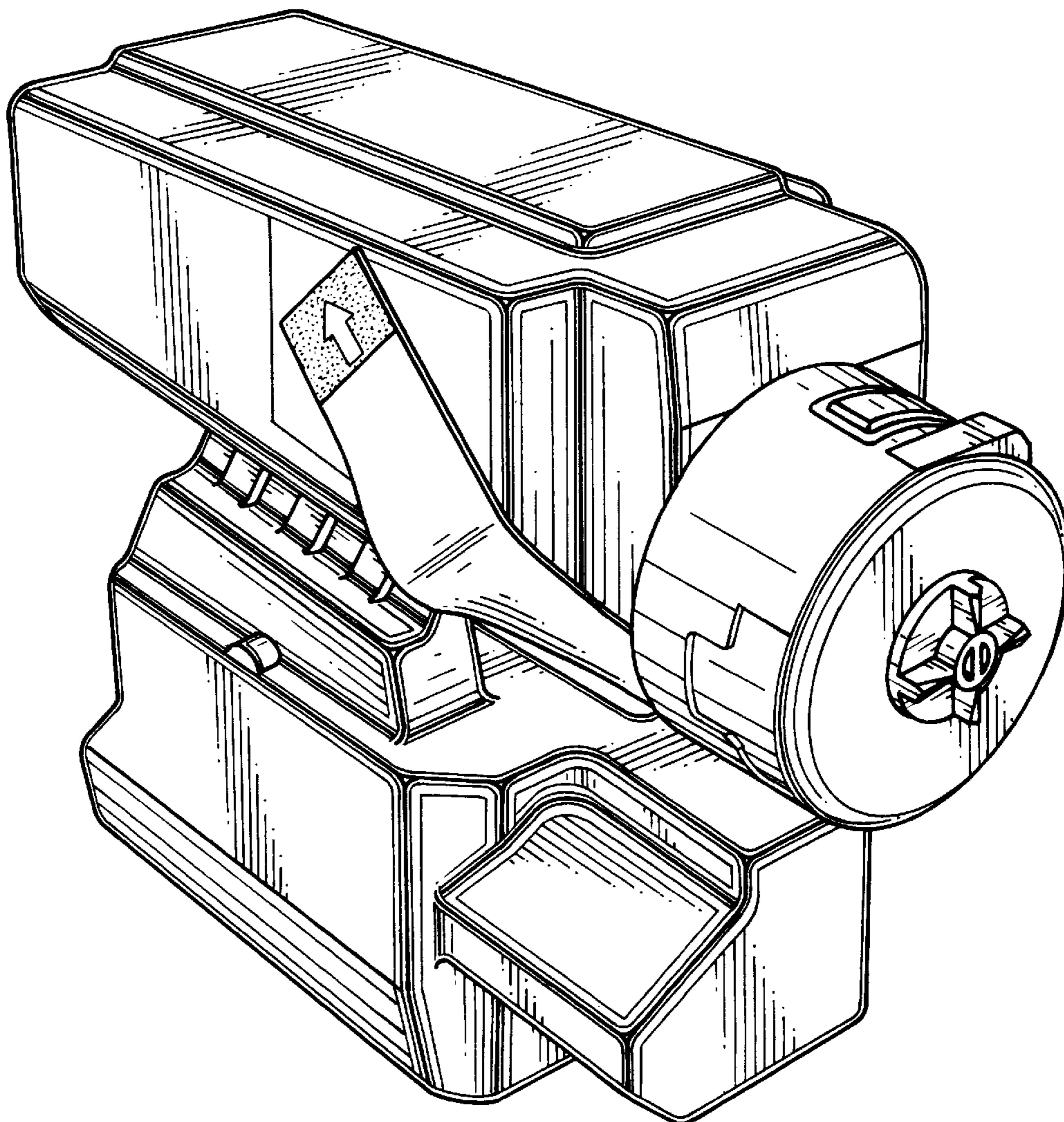
[57] **CLAIM**

The ornamental design for a “toner cartridge”, as shown and described.

**DESCRIPTION**

FIG. 1 front elevational view of a toner cartridge according to my design;  
FIG. 2 is a right side elevational view thereof;  
FIG. 3 is a left side elevational view thereof;  
FIG. 4 is a rear elevational view thereof;  
FIG. 5 is a bottom plan view thereof; and  
FIG. 6 is a top plan view thereof; and,  
FIG. 7 is a top, front and right side perspective view thereof.

**1 Claim, 6 Drawing Sheets**



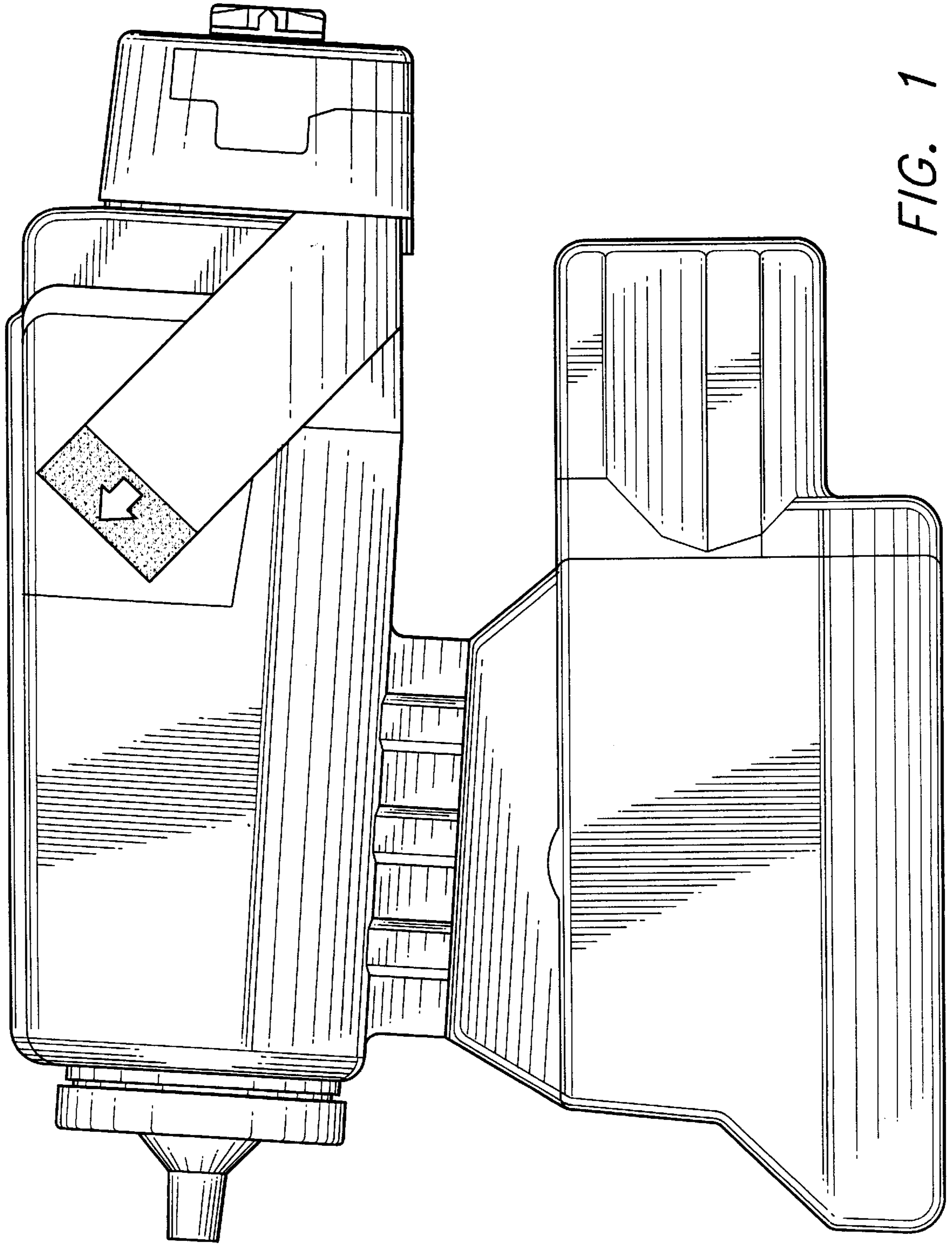


FIG. 1

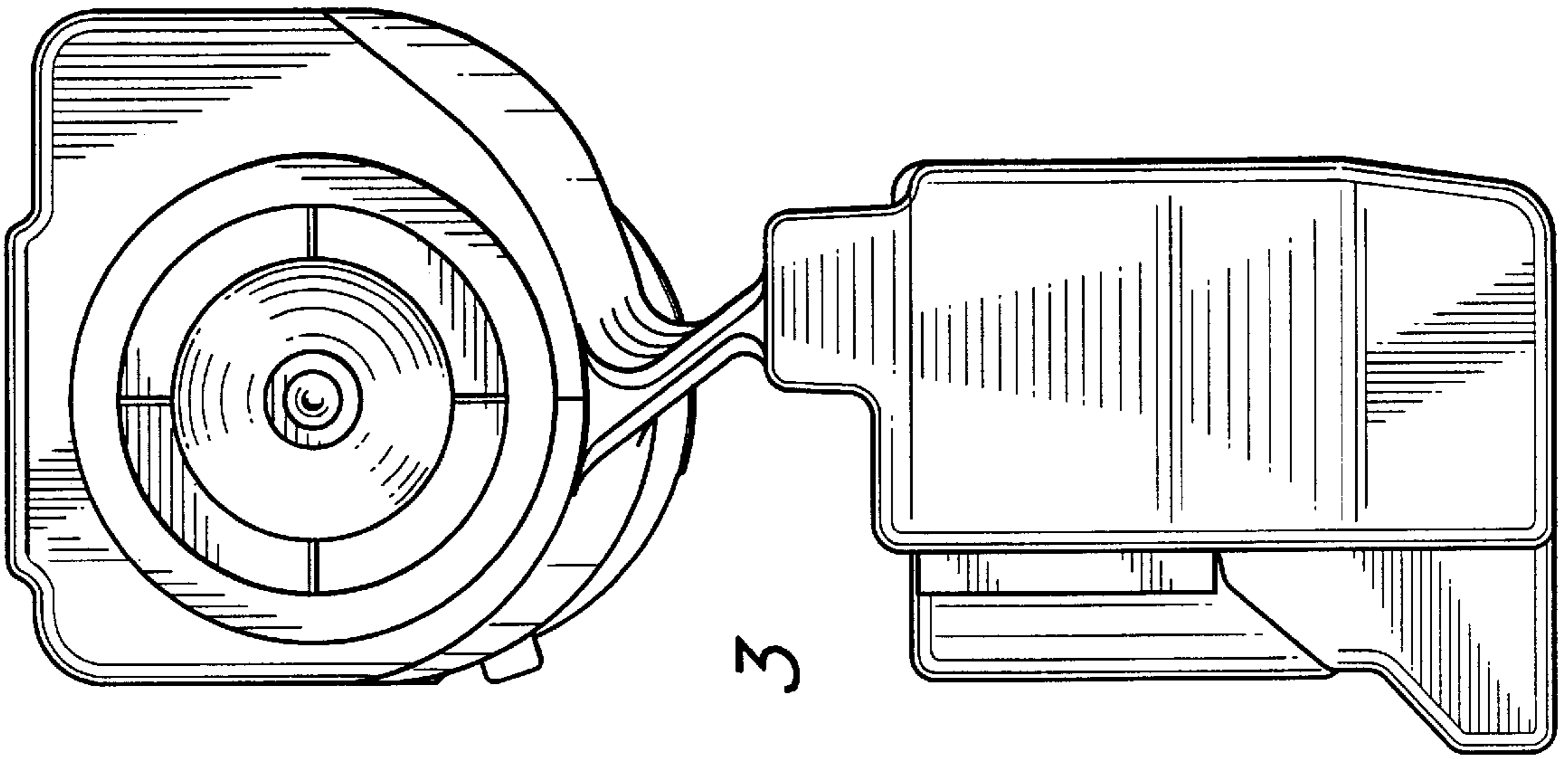


FIG. 3

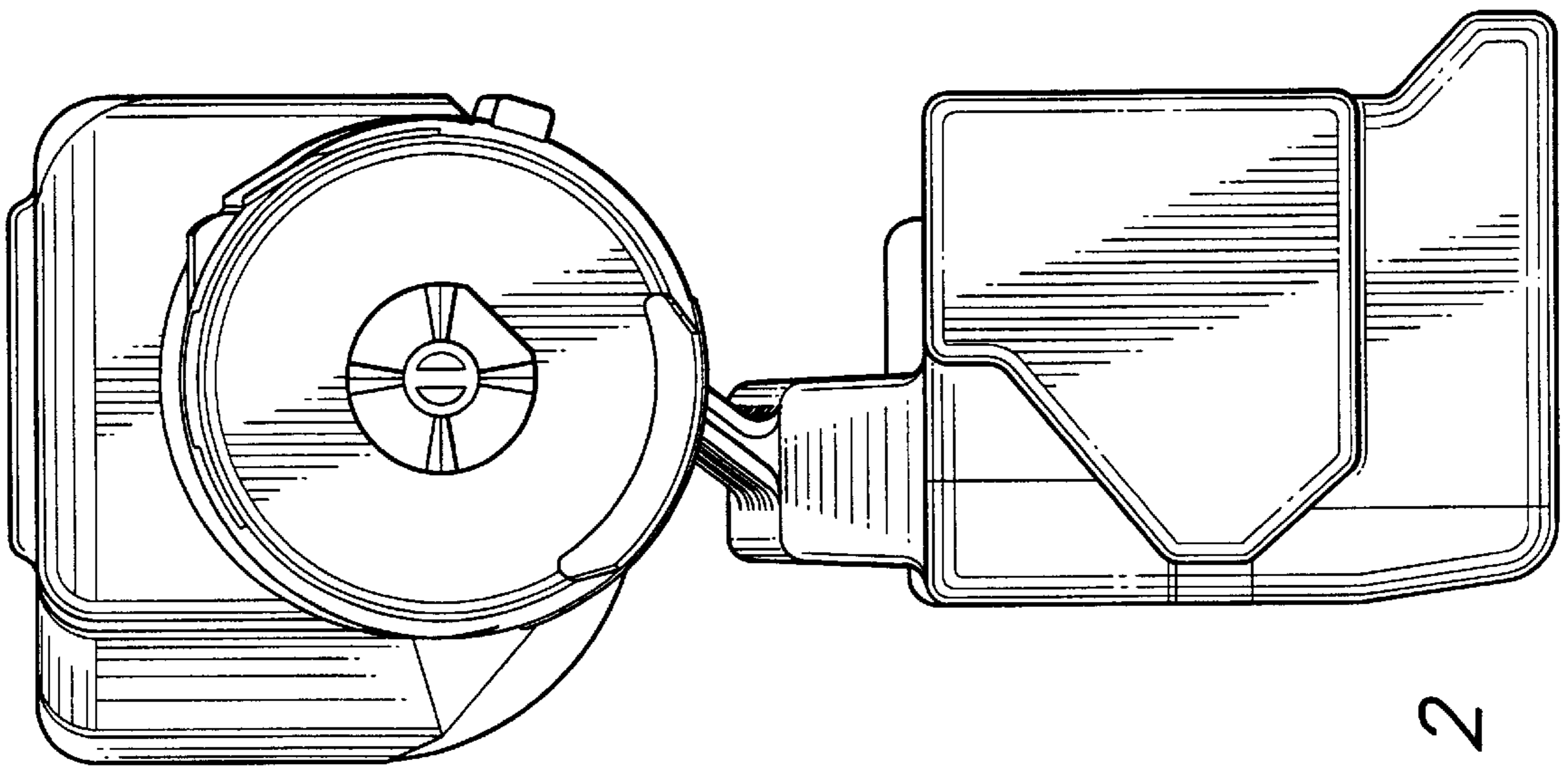


FIG. 2

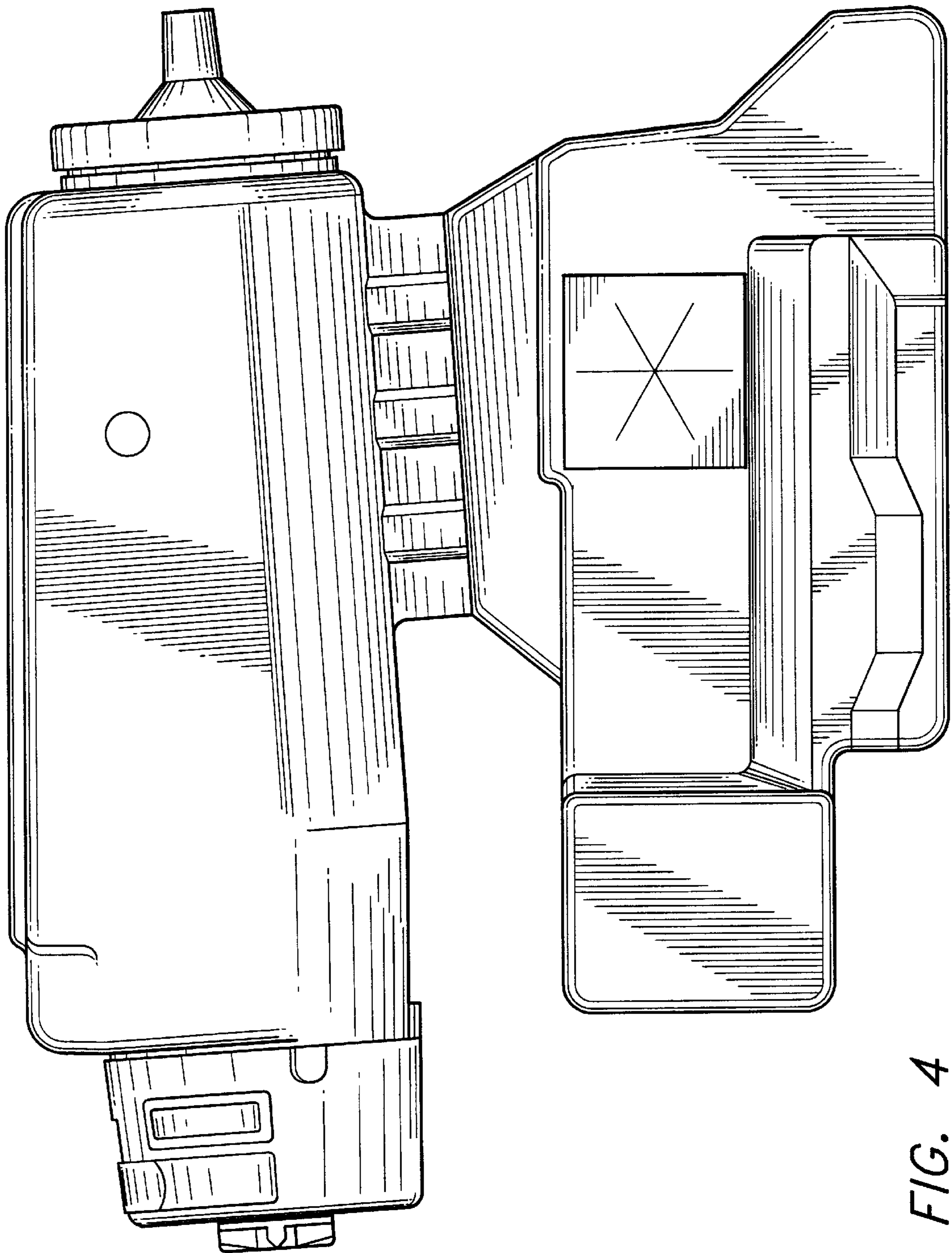


FIG. 4

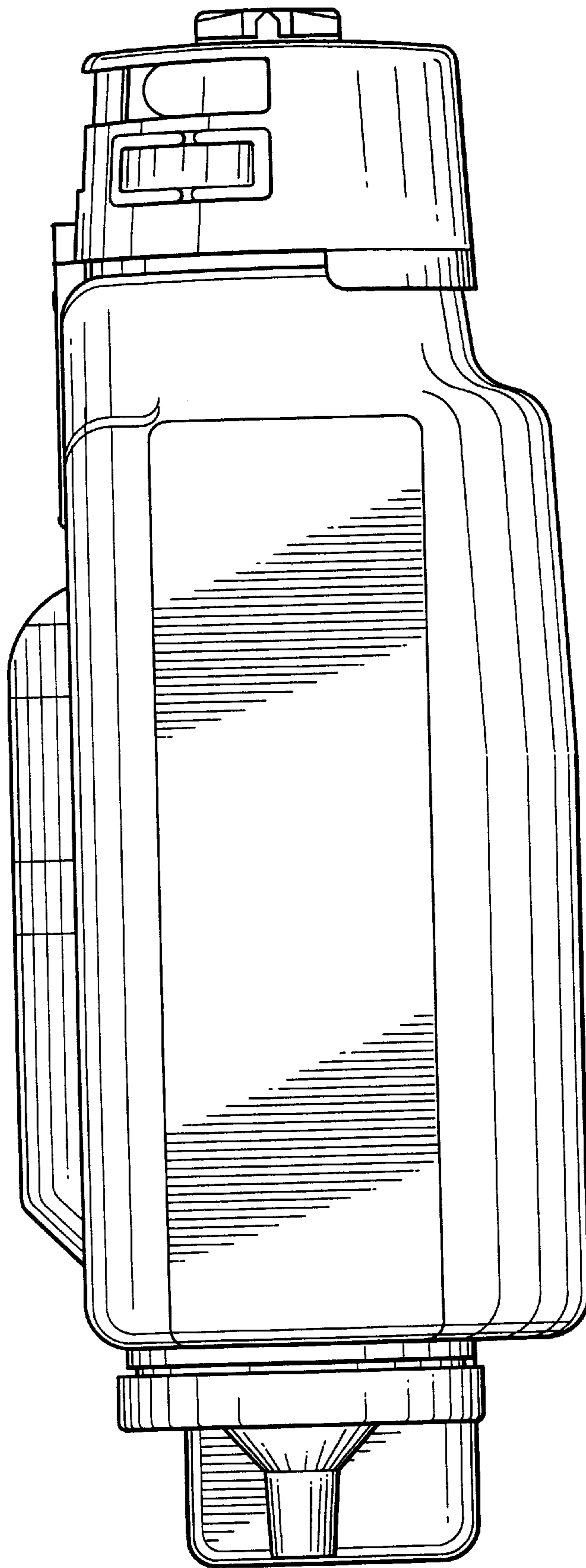


FIG. 5

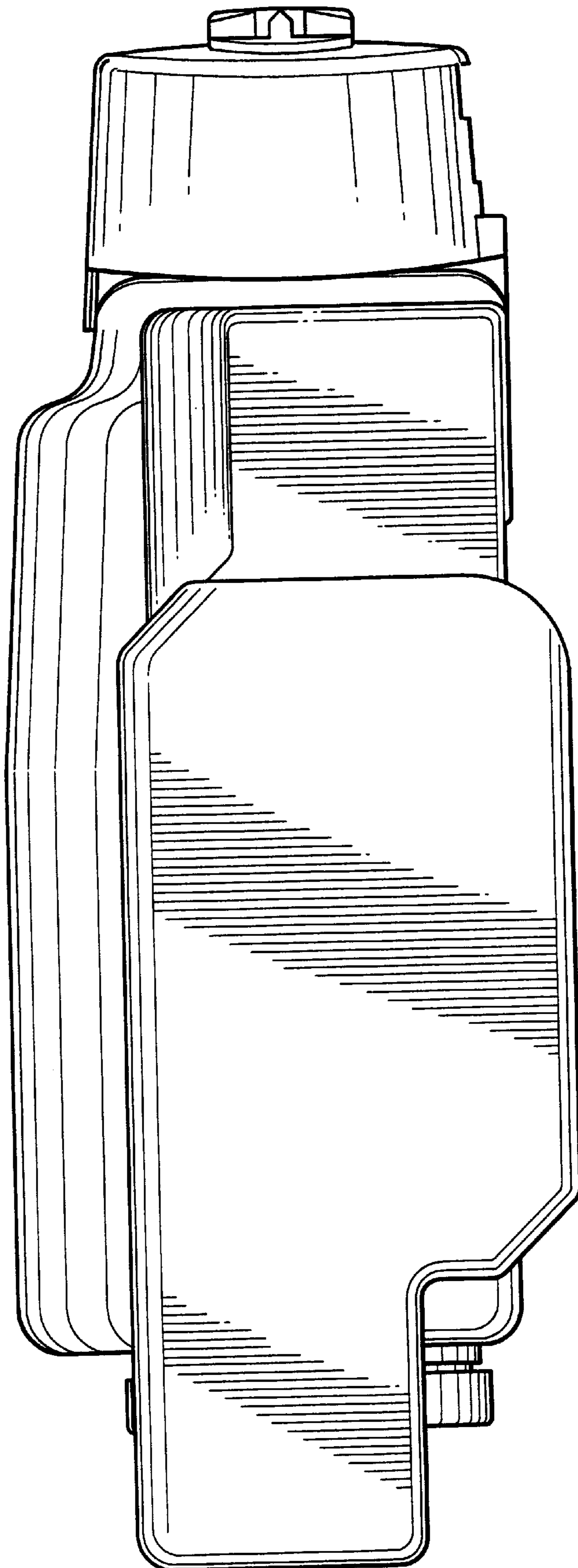


FIG. 6

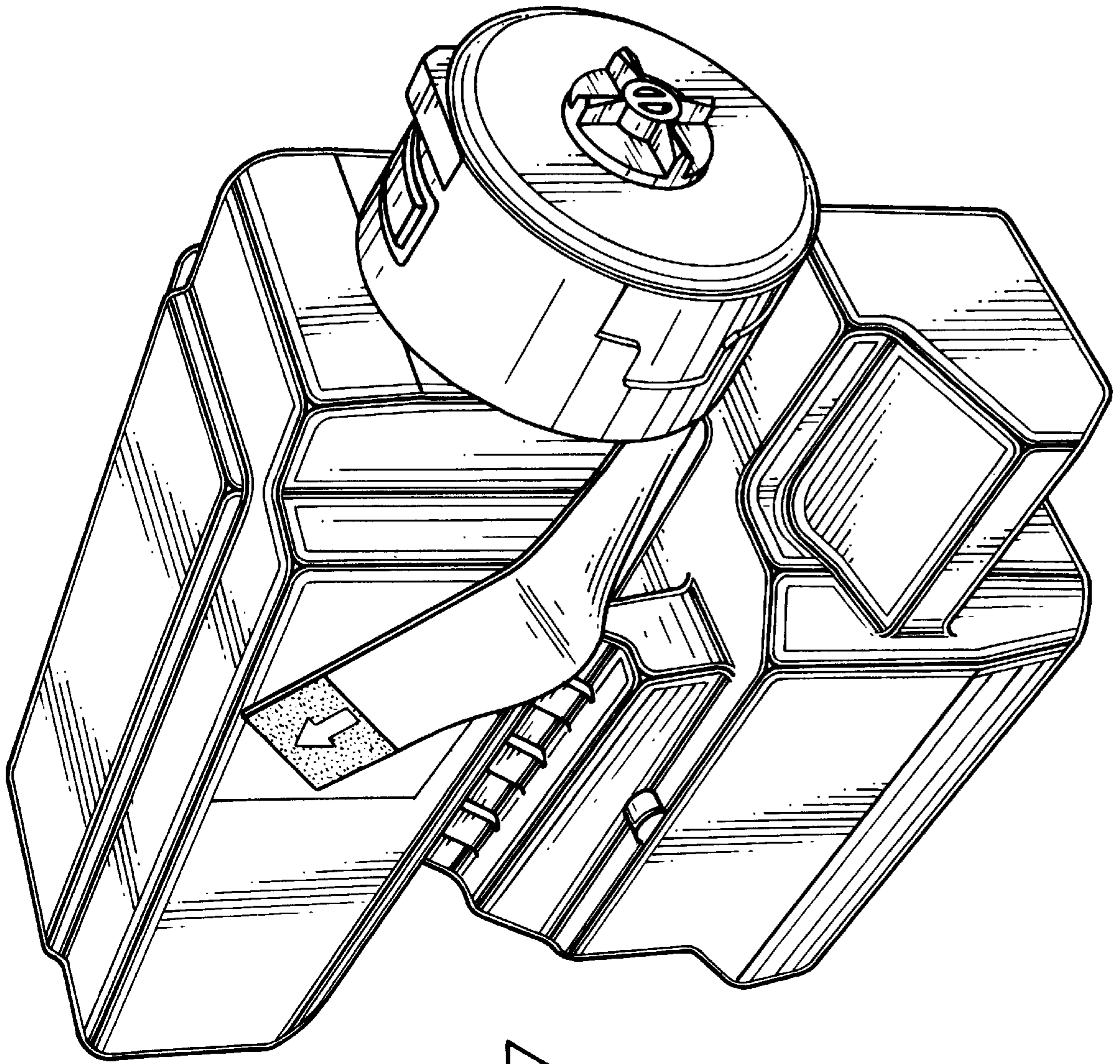


FIG. 7