



US00D409644S

**United States Patent** [19]  
**Uehara**

[11] **Patent Number: Des. 409,644**

[45] **Date of Patent: \*\* May 11, 1999**

[54] **PROJECTOR**

[75] Inventor: **Mitsuhiro Uehara**, Tokyo, Japan

[73] Assignee: **Sony Corporation**, Tokyo, Japan

[\*\*] Term: **14 Years**

[21] Appl. No.: **29/084,883**

[22] Filed: **Mar. 12, 1998**

[51] **LOC (6) Cl. .... 16-02**

[52] **U.S. Cl. .... D16/234; D16/221; D16/230**

[58] **Field of Search .... D16/200-205,  
D16/208, 213, 221, 225, 230, 231, 234;  
D21/514; 352/34, 242, 243; 353/115, 119**

[56] **References Cited**

**U.S. PATENT DOCUMENTS**

D. 350,106	8/1994	Ina	.....	D16/234
D. 365,587	12/1995	Saeki et al.	.....	D16/234
D. 371,148	6/1996	Kobayashi	.....	D16/230
D. 388,111	12/1997	Iida	.....	D16/231
5,676,442	10/1997	Fujimori	.....	353/119

**OTHER PUBLICATIONS**

Sharp Catalog, p.5 (E1Z projector), Aug. 1993.  
Sharp Catalog, p.7 (T2Z projector), Aug. 1993.  
Catalog "87", *Sony* p. 57, (Nov. 1997).

*Primary Examiner*—Adir Aronovich  
*Attorney, Agent, or Firm*—Foley & Lardner

[57] **CLAIM**

The ornamental design for a projector, as shown and described.

**DESCRIPTION**

FIG. 1 is a perspective view of a projector showing my new design;

FIG. 2 is a top plan view thereof;

FIG. 3 is a left side elevational view thereof;

FIG. 4 is a rear elevational view thereof;

FIG. 5 is a front elevational view thereof;

FIG. 6 is a bottom plan view thereof; and,

FIG. 7 is a right side elevational view thereof.

**1 Claim, 3 Drawing Sheets**

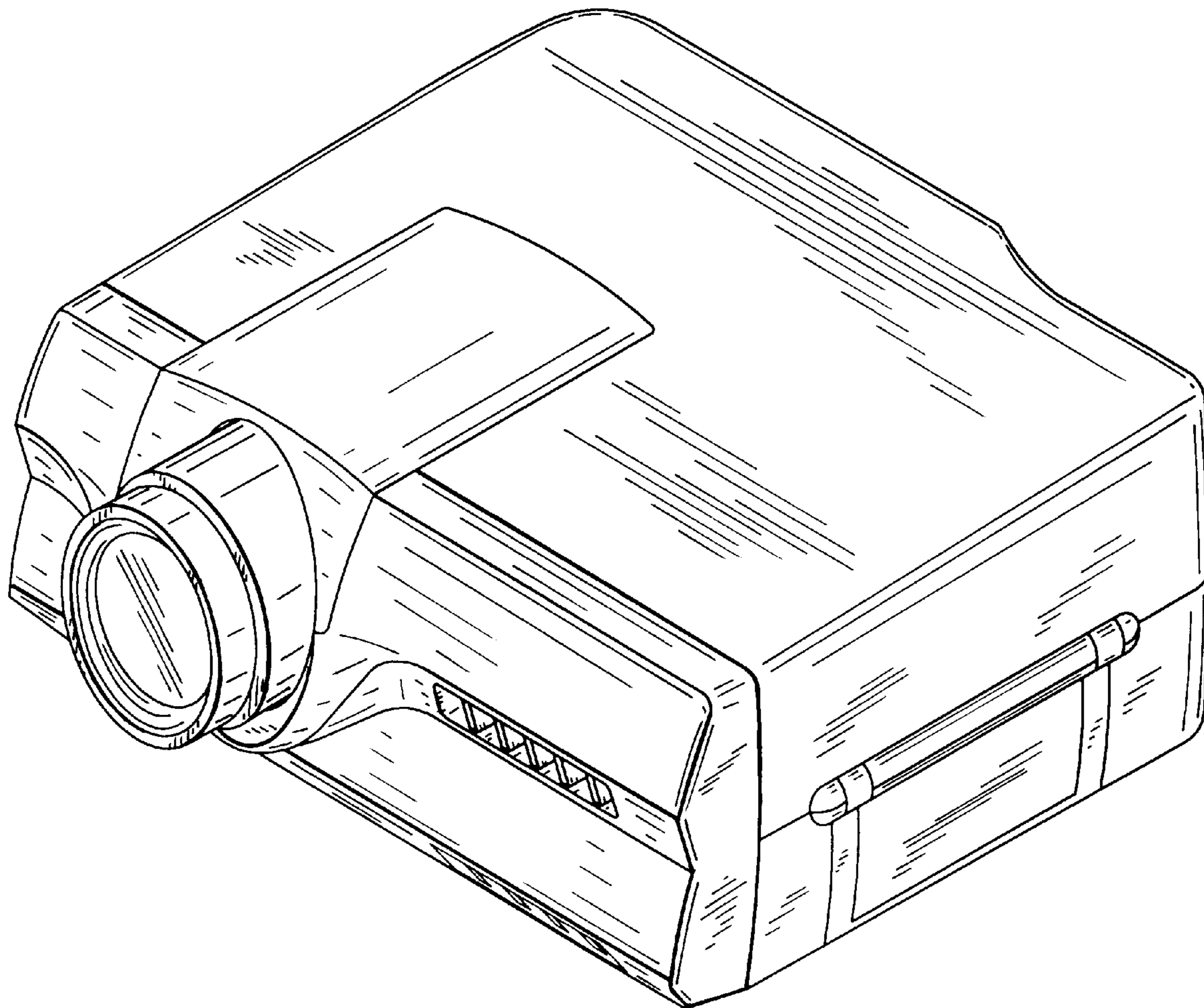


FIG. 1

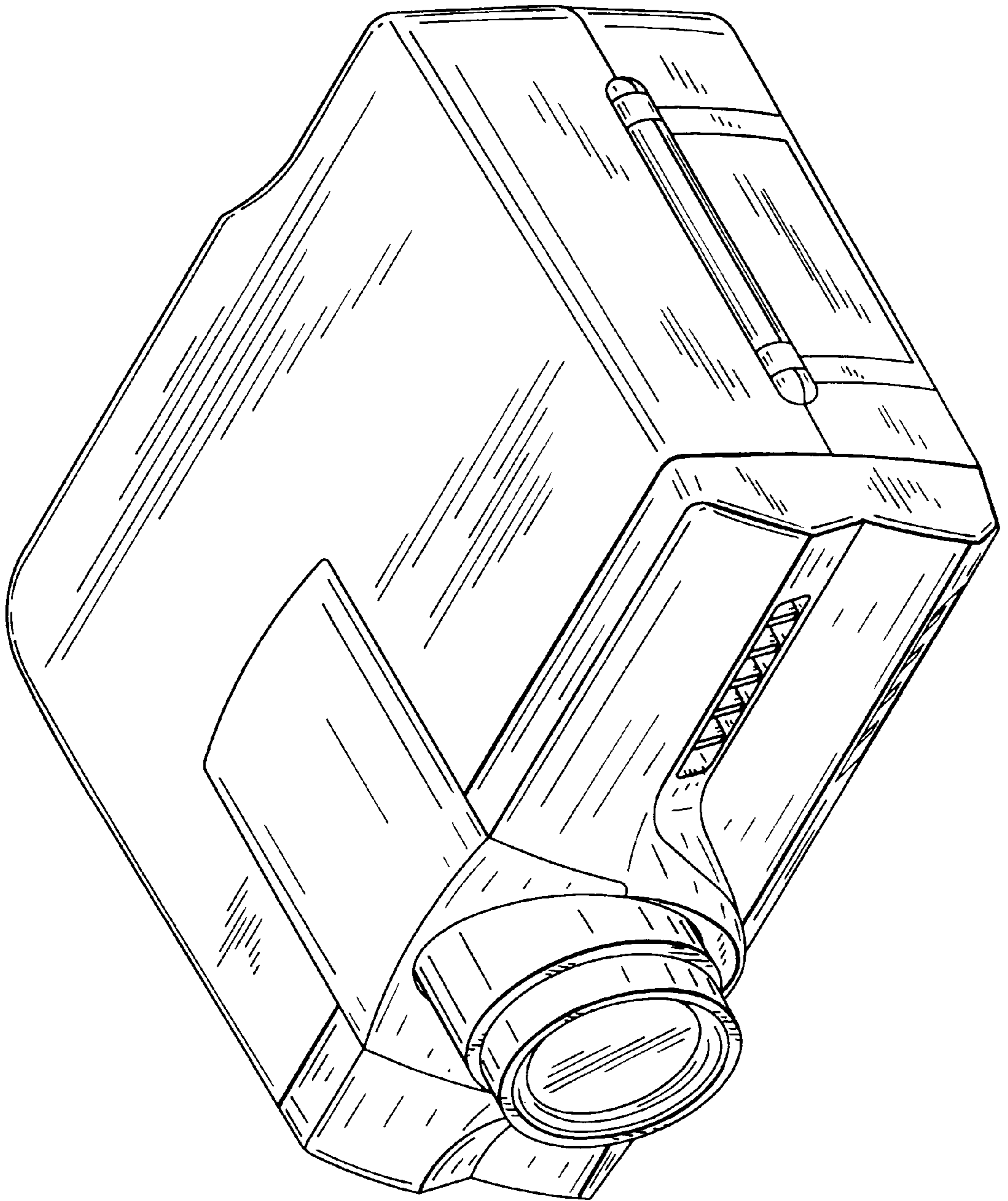


FIG. 2

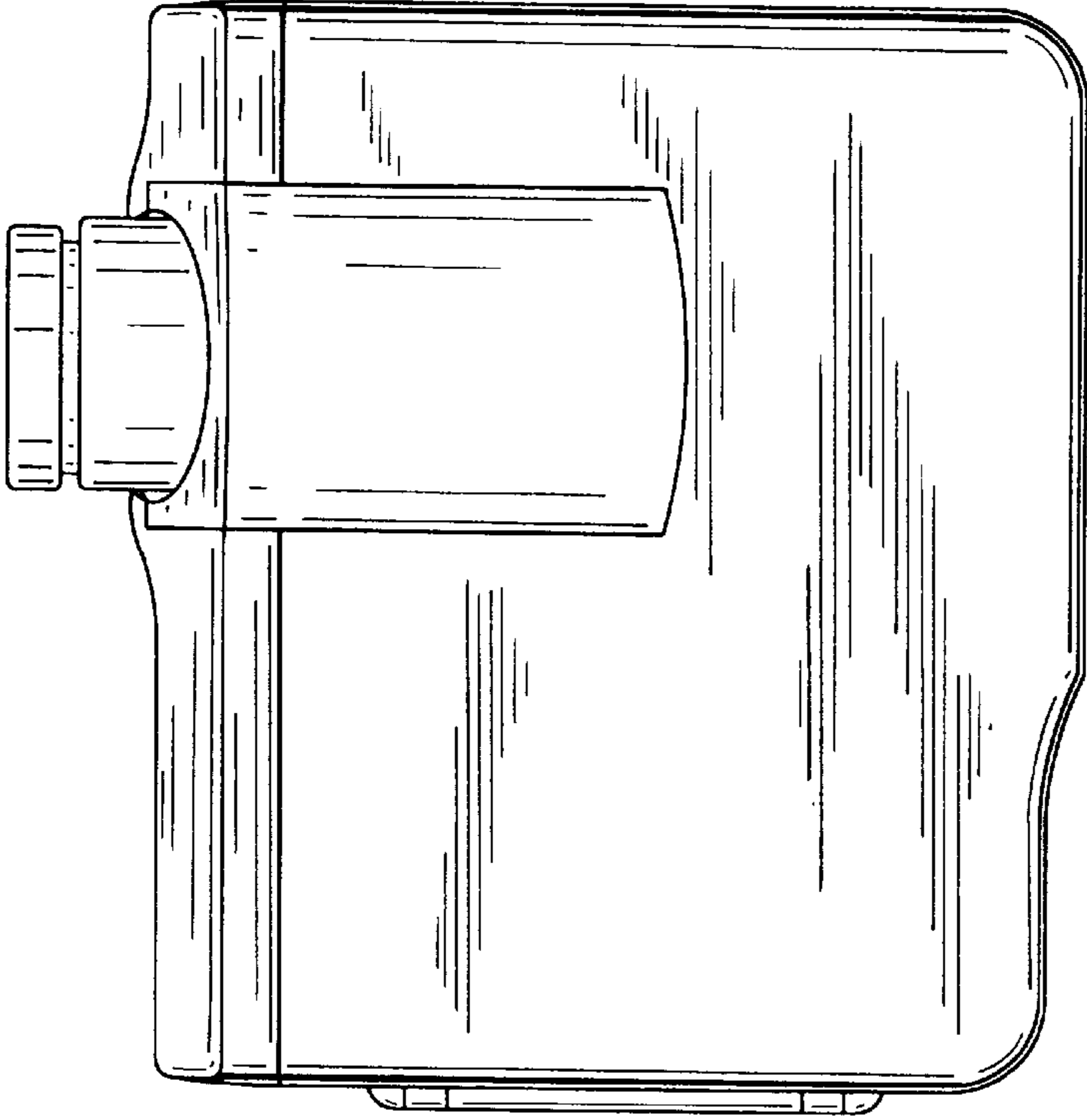


FIG. 4

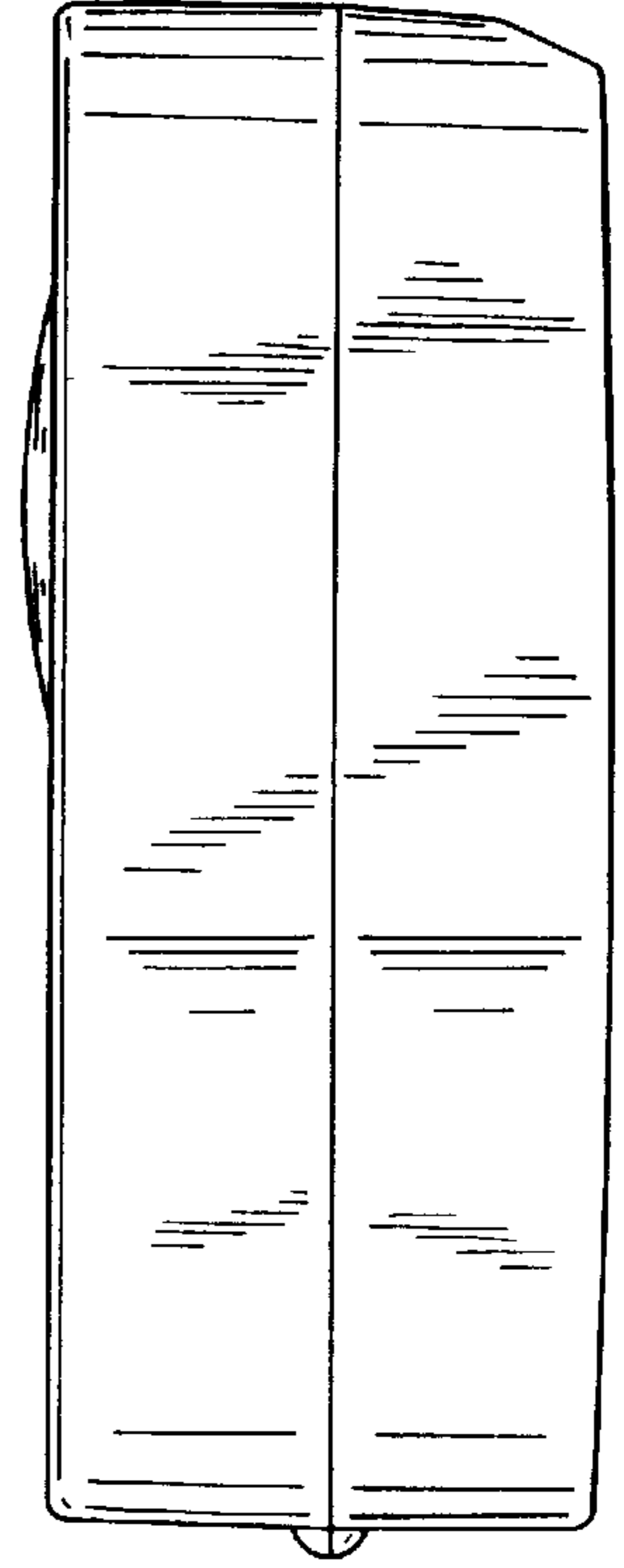


FIG. 3

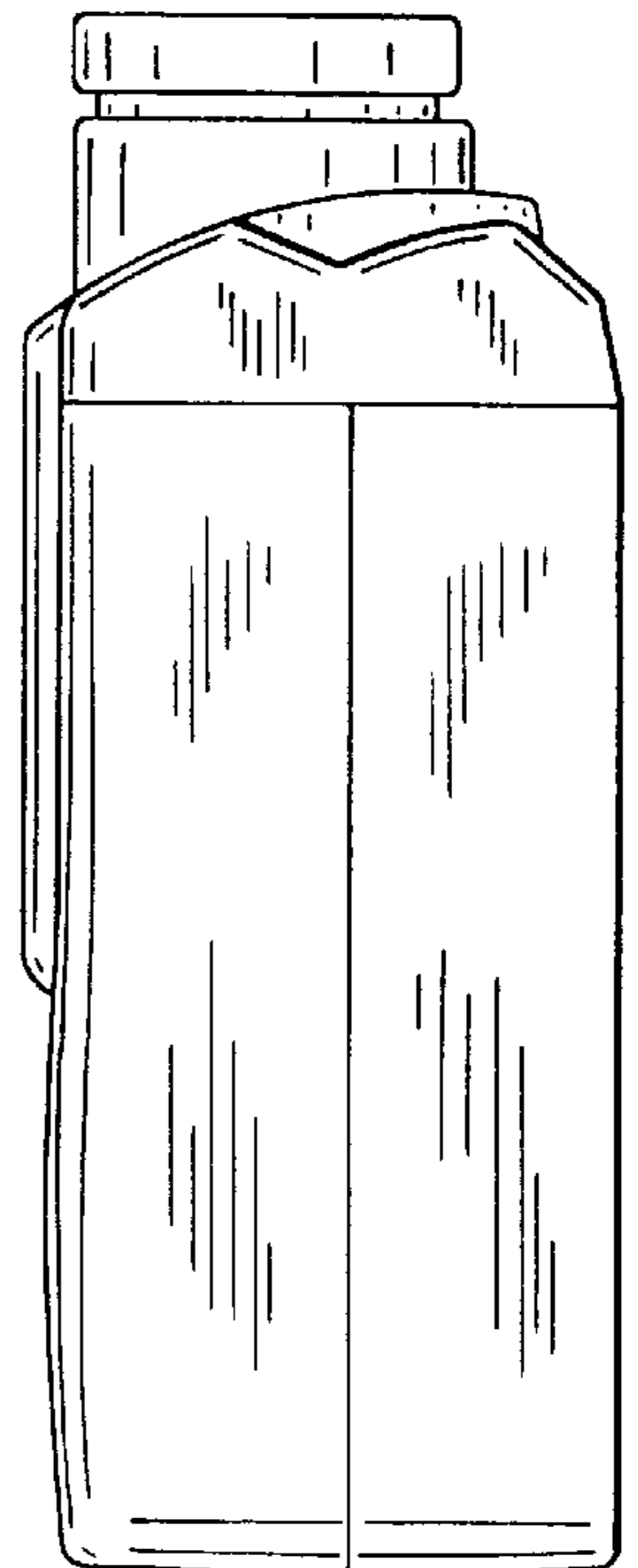


FIG. 7

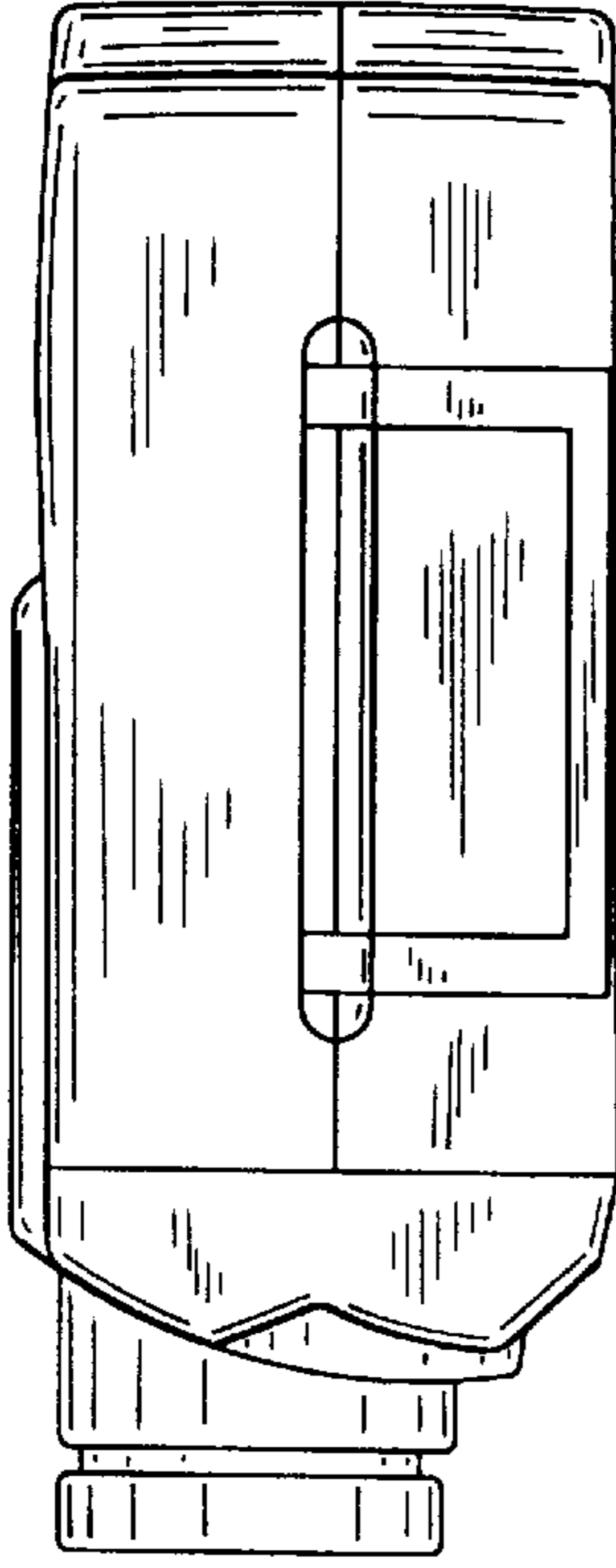


FIG. 5

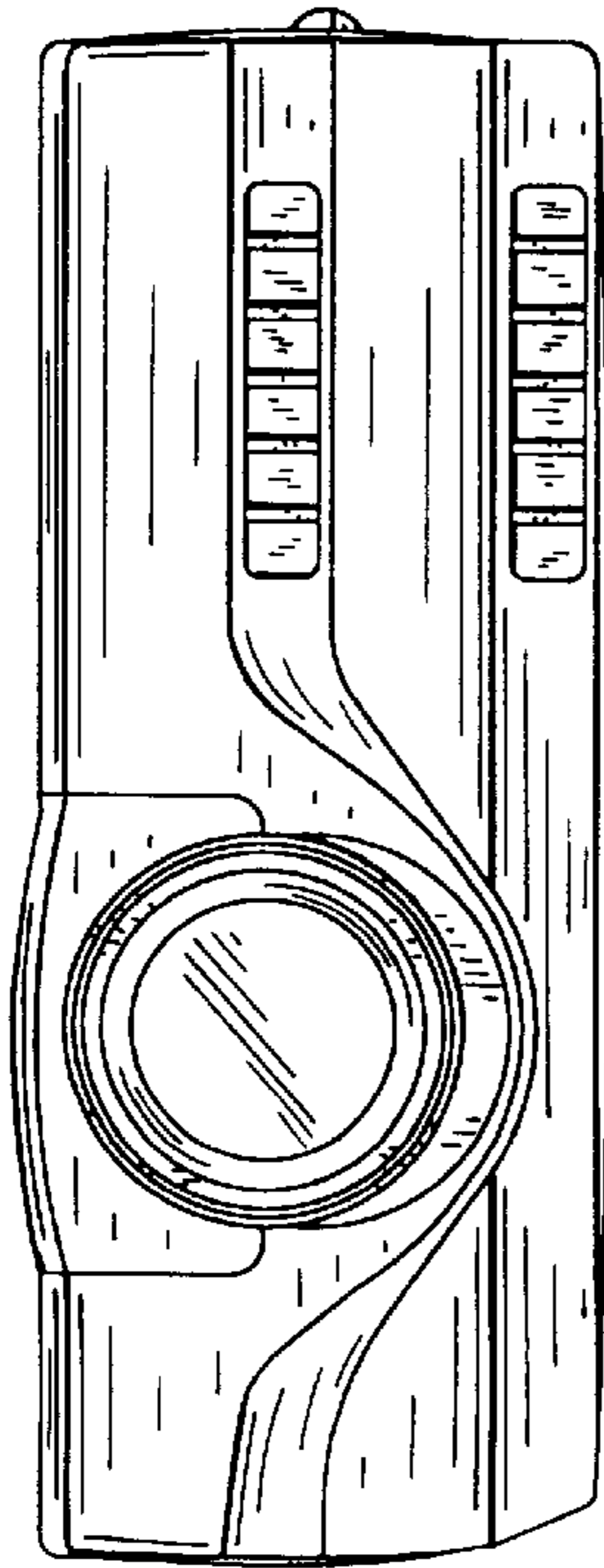


FIG. 6

