



US00D409642S

United States Patent [19] Chin

[11] **Patent Number: Des. 409,642**

[45] **Date of Patent: ** May 11, 1999**

[54] **EXTERIOR FILM-FEEDING CAMERA**

[76] **Inventor: Hsin-Yuan Chin**, 9F, No. 22, Lane 24,
Sec. 1, Huan Shan Rd., Nei Hu, Taipei,
Taiwan

[**] **Term: 14 Years**

[21] **Appl. No.: 29/082,923**

[22] **Filed: Jan. 12, 1998**

[51] **LOC (6) Cl. 16-01**

[52] **U.S. Cl. D16/218; D16/200**

[58] **Field of Search D16/200-209,
D16/211-213, 216-218; D21/514; 396/535-543,
388, 414; 446/408**

[56] **References Cited**

U.S. PATENT DOCUMENTS

D. 102,527	12/1936	Teague	D16/218
D. 163,458	5/1951	Ingenbrand	D16/218
D. 294,606	3/1988	Ryland	D16/218
D. 393,272	4/1998	Segan et al.	D16/218

Primary Examiner—Adir Aronovich
Attorney, Agent, or Firm—W. Wayne Liauh

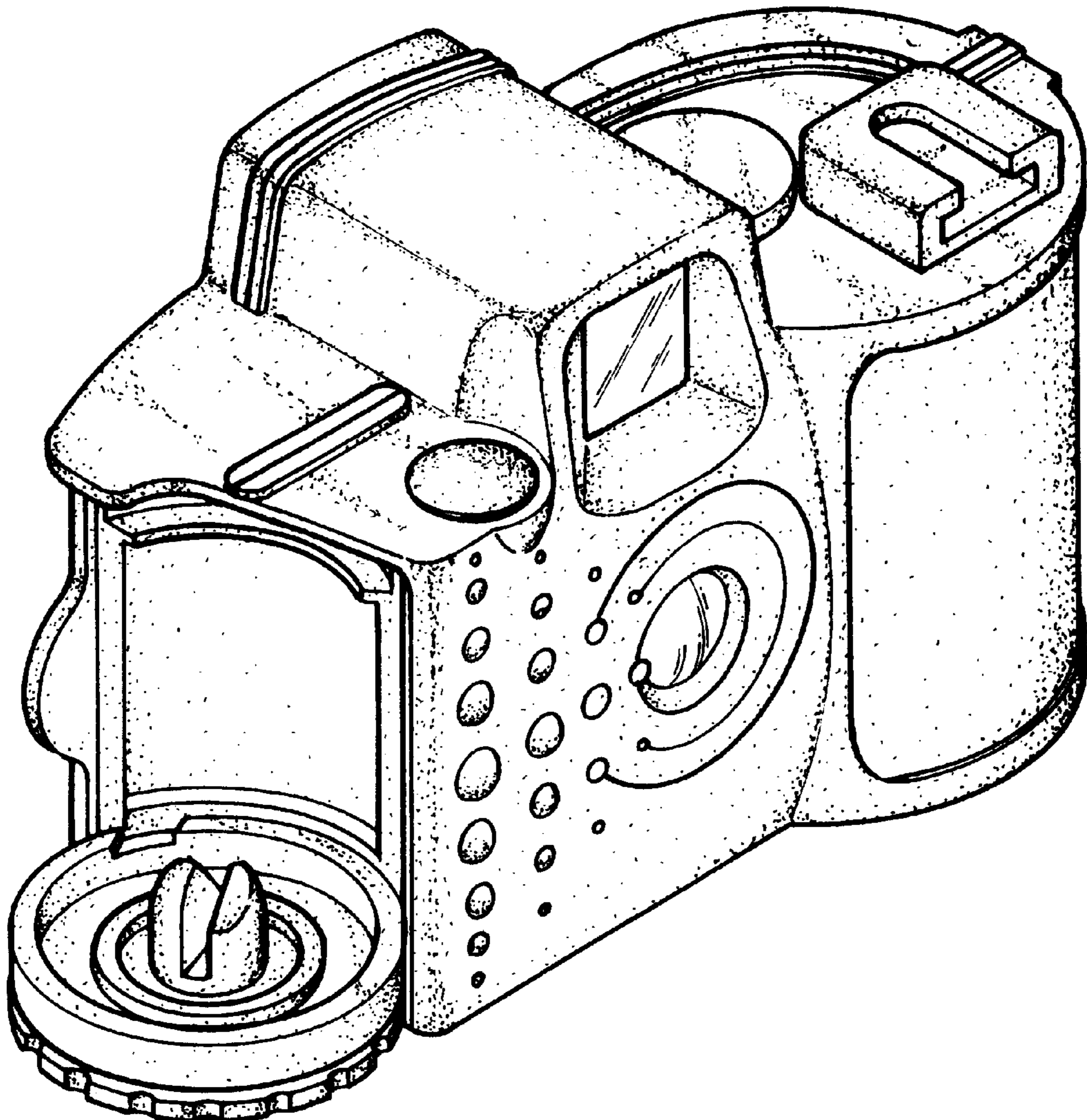
[57] **CLAIM**

The ornamental design for an exterior film-feeding camera,
as shown and described.

DESCRIPTION

FIG. 1 is a top, front and left side perspective view of an exterior film-feeding camera showing my new design; FIG. 2 is a reduced front view of the exterior film-feeding camera shown in FIG. 1; FIG. 3 is a back view thereof. FIG. 4 is a left side view thereof. FIG. 5 is a right side view thereof. FIG. 6 is a top view thereof. FIG. 7 is a bottom view thereof; and, FIG. 8 is a top, front and left side perspective view thereof, the broken lines shown are for illustrative purposes only and form no part of the claimed design.

1 Claim, 5 Drawing Sheets



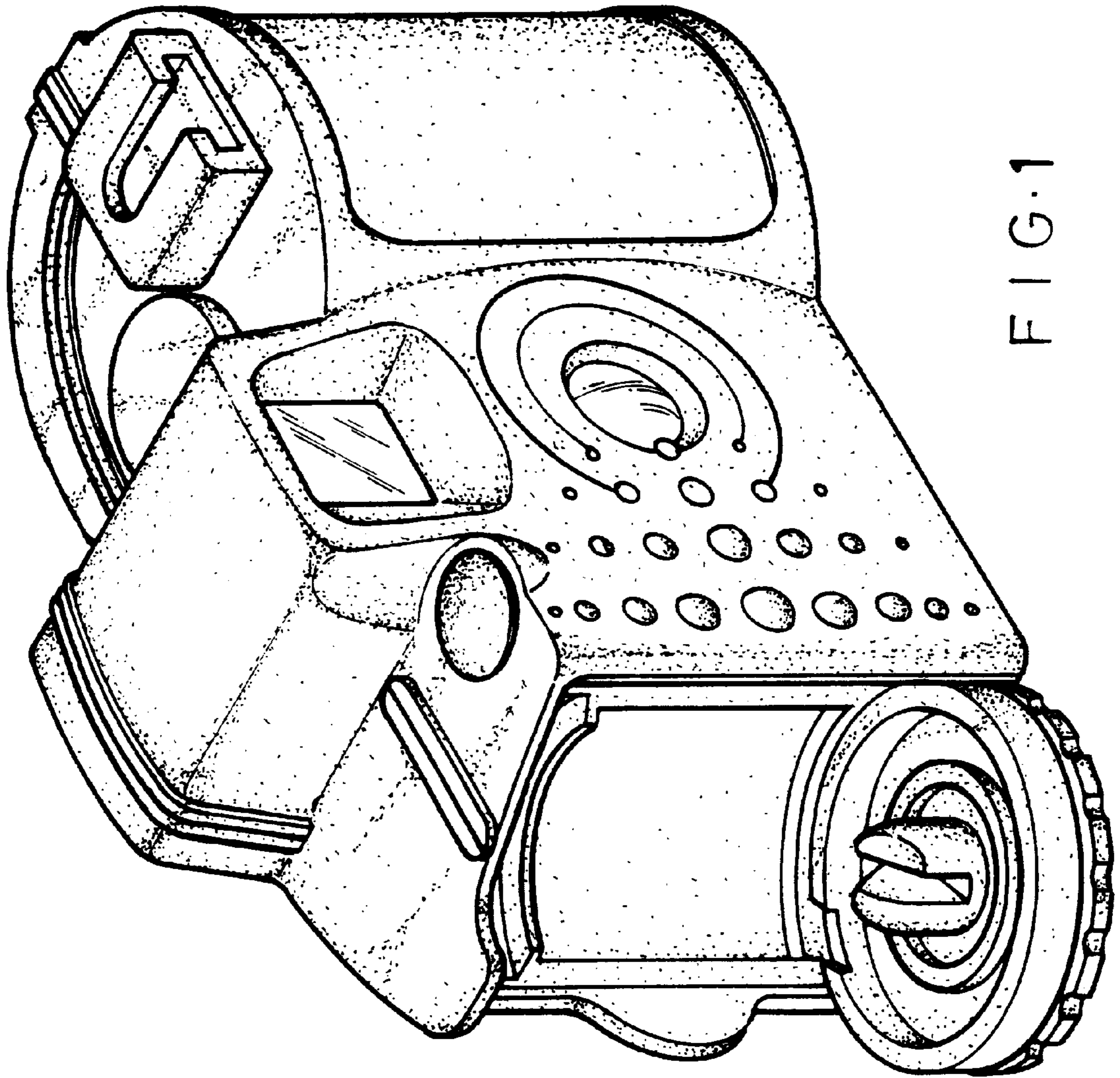


FIG. 1

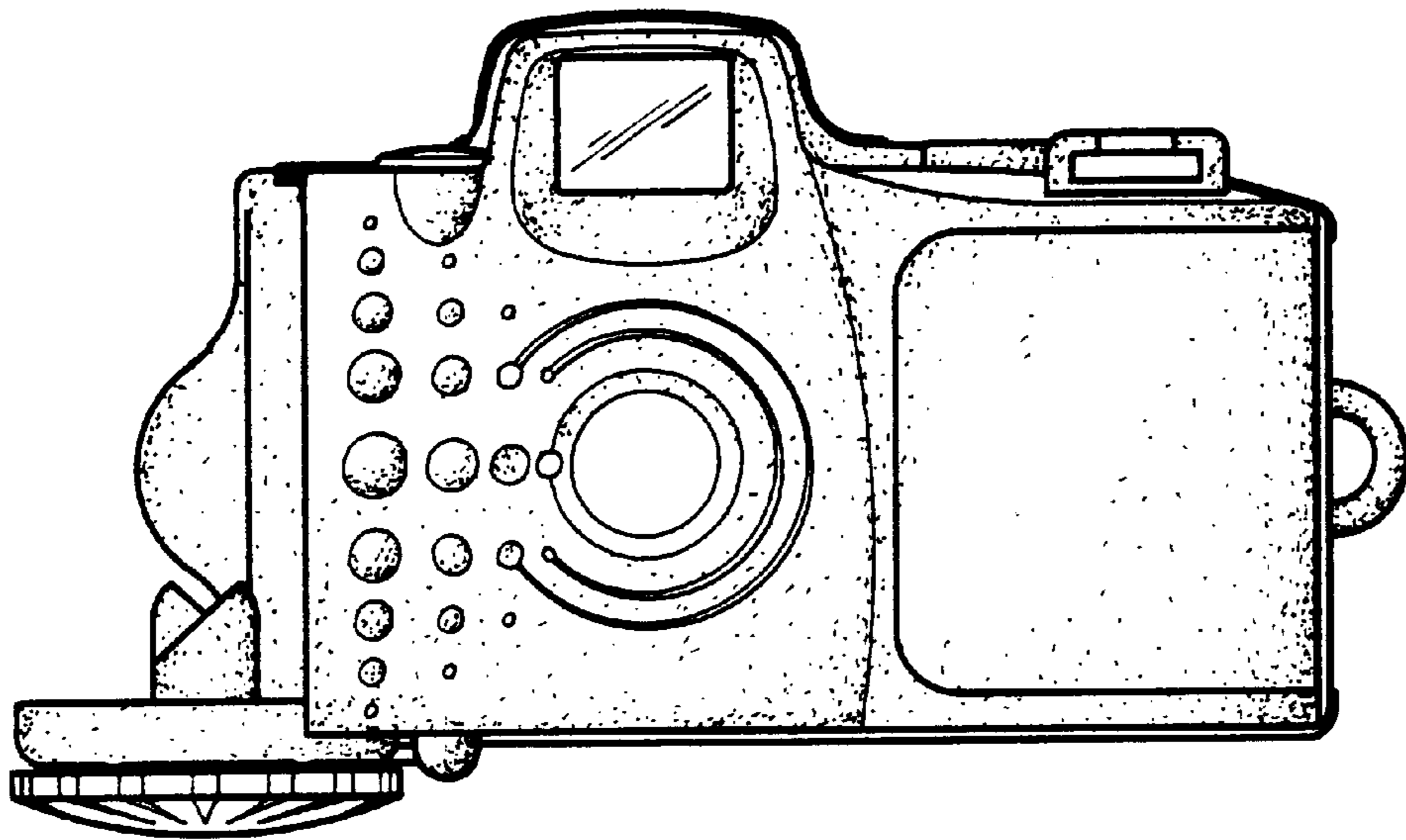


FIG. 2

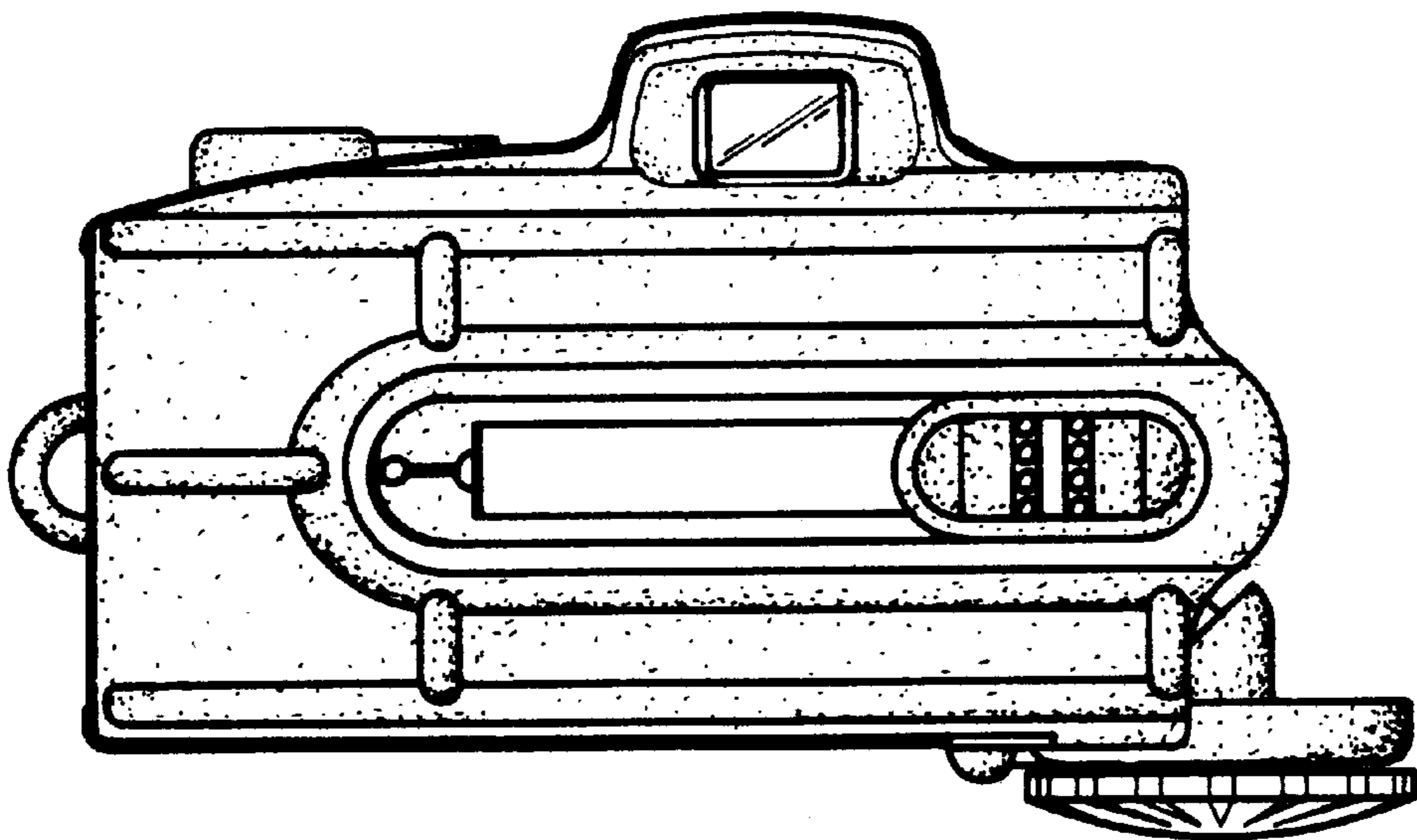


FIG. 3

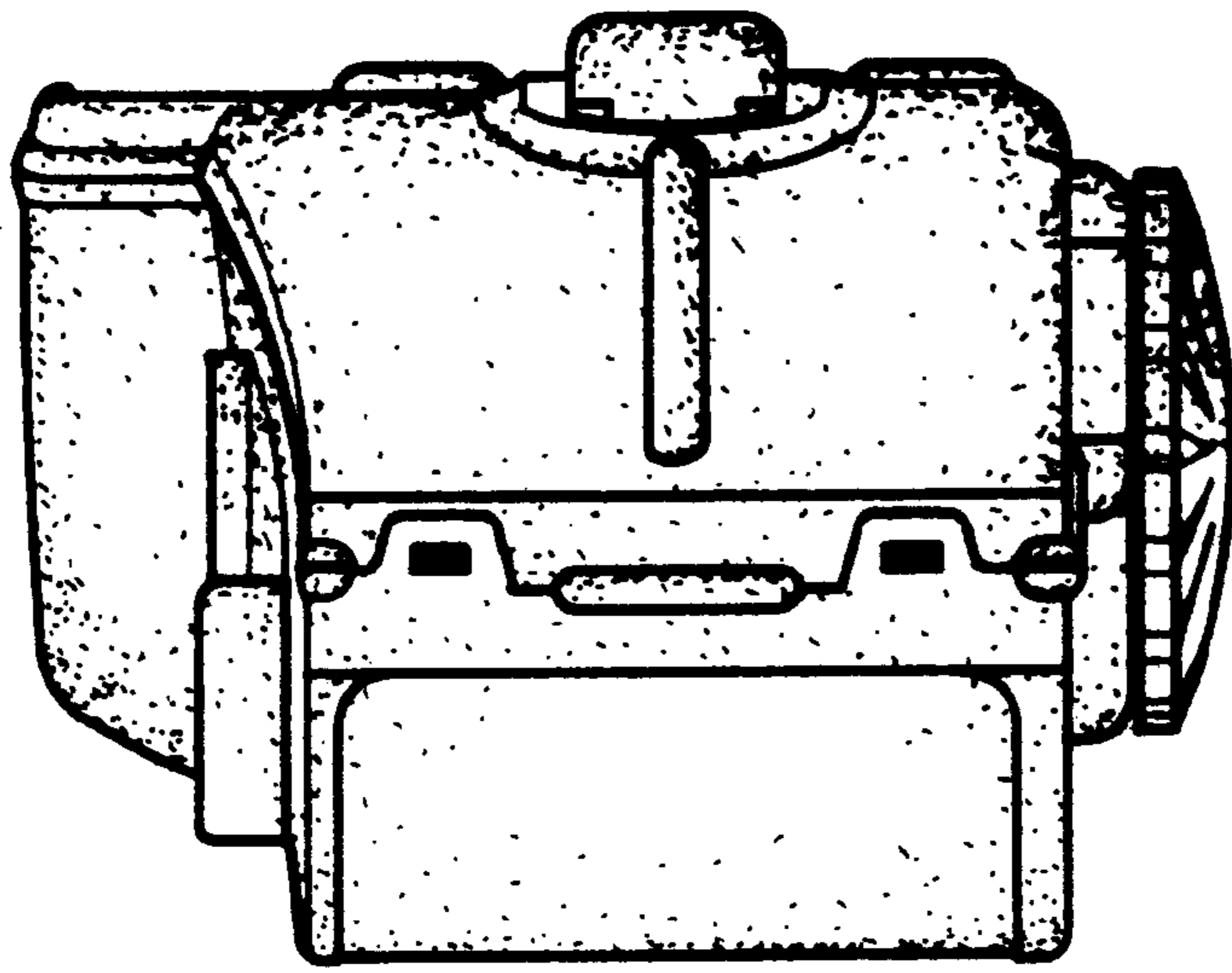


FIG. 5

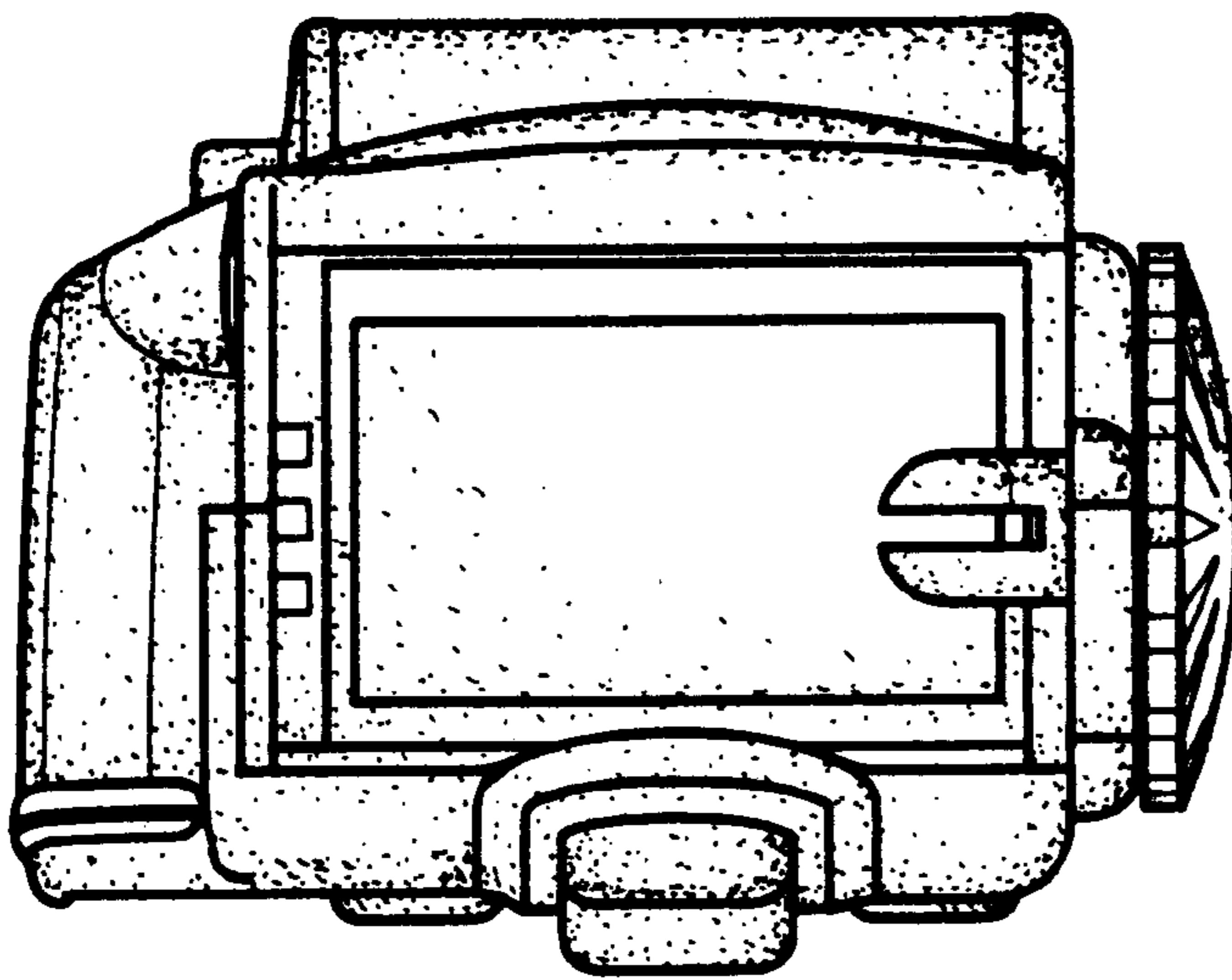


FIG. 4

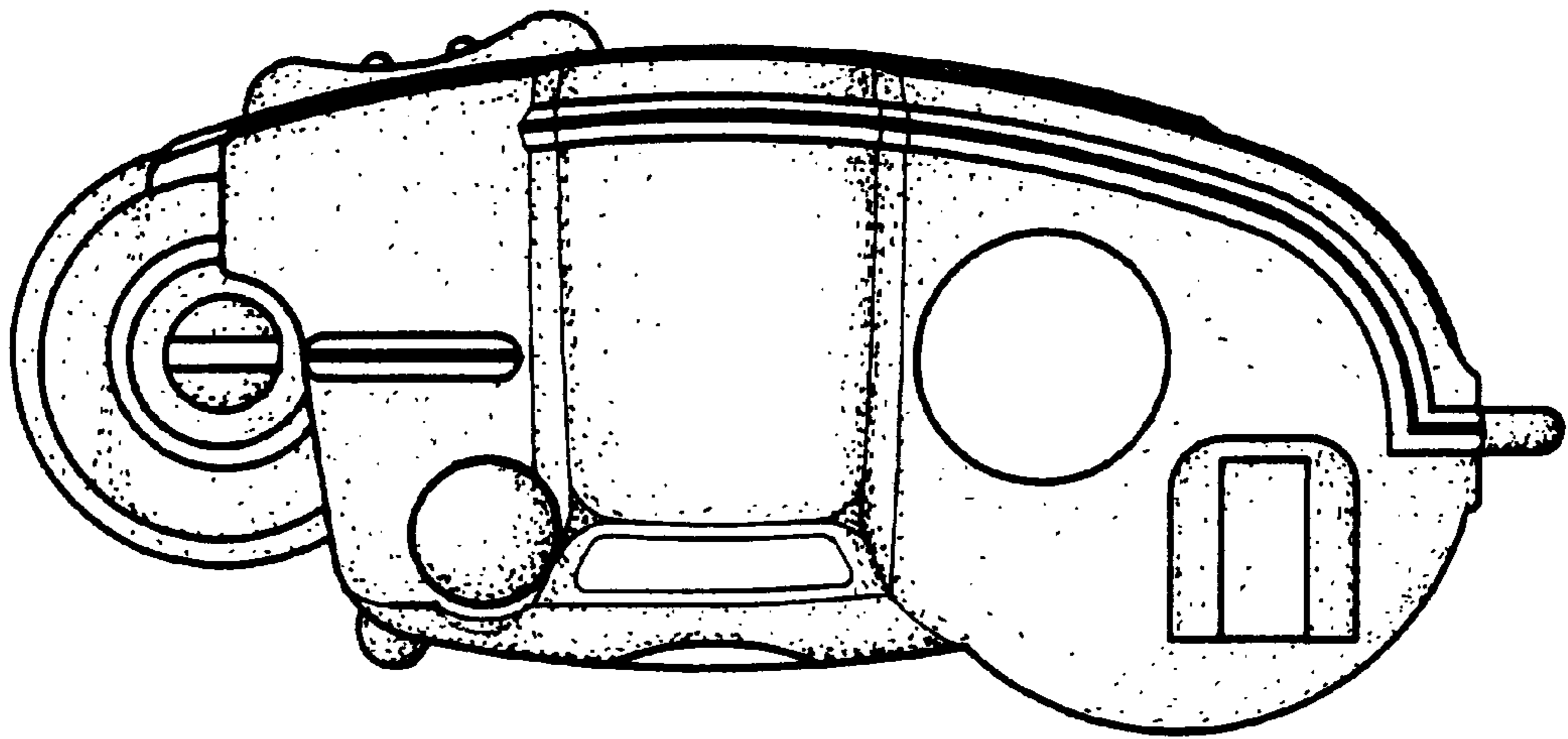


FIG. 6

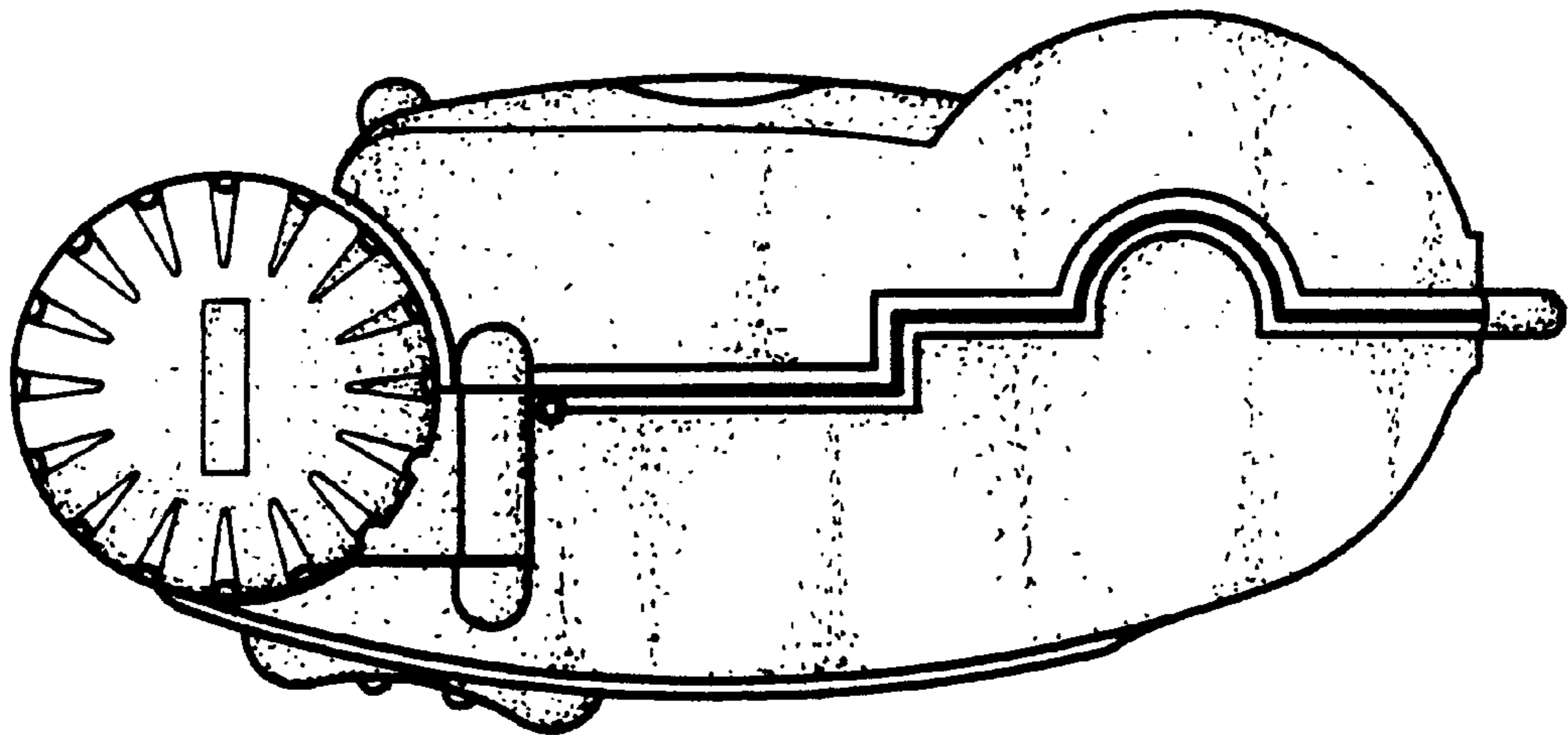


FIG. 7

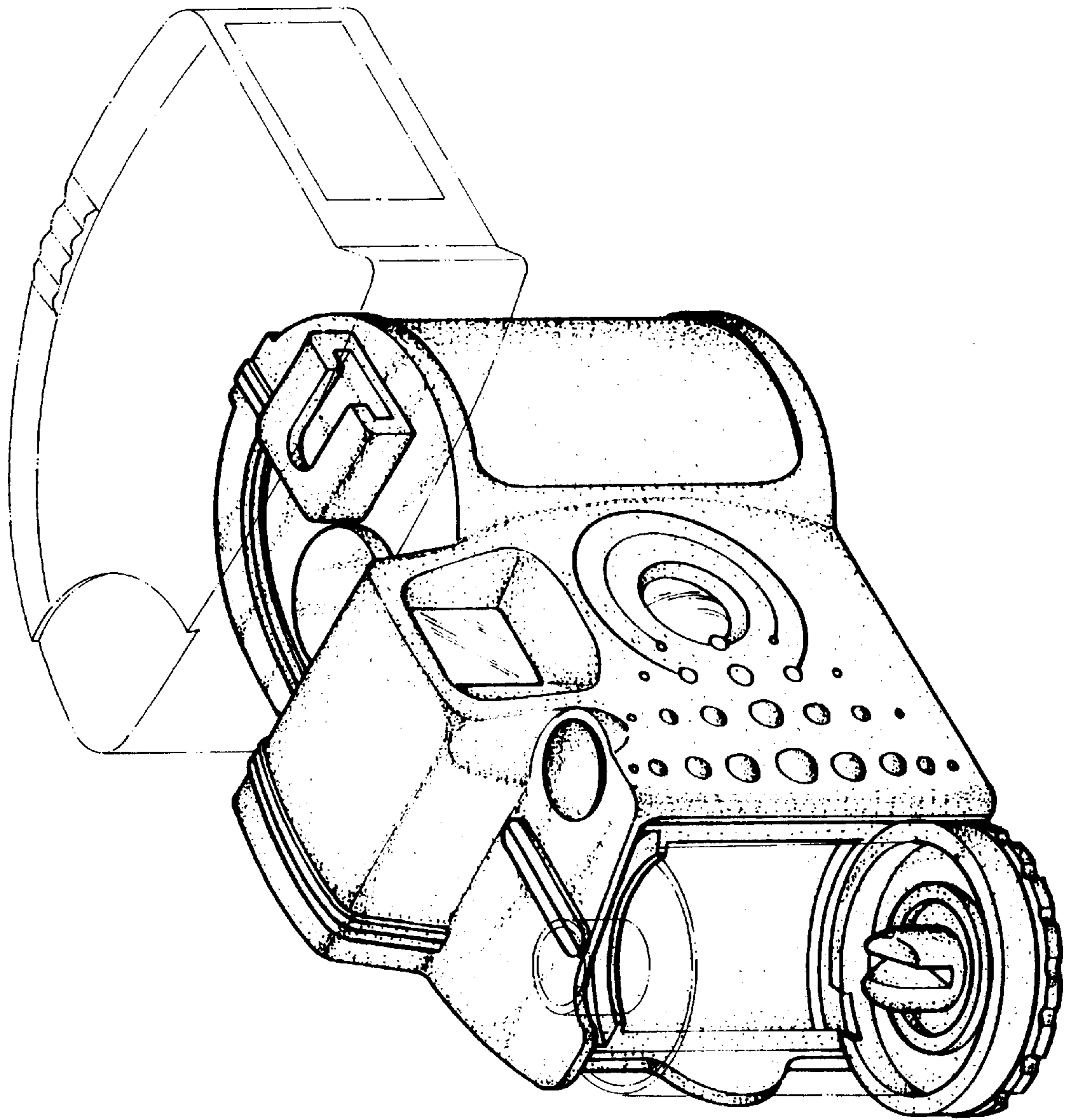


FIG. 8