



US00D409641S

United States Patent [19]
Uehara

[11] **Patent Number: Des. 409,641**

[45] **Date of Patent: ** May 11, 1999**

[54] **CAMERA**

[75] Inventor: **Mitsuhiro Uehara**, Tokyo, Japan

[73] Assignee: **Sony Corporation**, Tokyo, Japan

[**] Term: **14 Years**

[21] Appl. No.: **29/073,934**

[22] Filed: **Jul. 24, 1997**

[30] **Foreign Application Priority Data**

Feb. 18, 1997 [JP] Japan 9-4316

[51] **LOC (6) Cl.** **16-01**

[52] **U.S. Cl.** **D16/203; D16/202**

[58] **Field of Search** **D16/200-208;**
348/373-376; 352/242, 243; 358/906; 396/535-543,
25-29

[56] **References Cited**

U.S. PATENT DOCUMENTS

D. 312,649 12/1990 Sakuta D16/203

D. 365,119 12/1995 Ujita et al. D18/56
D. 366,271 1/1996 Hasegawa D16/203
D. 373,593 9/1996 Hiroko et al. D16/202
4,485,407 11/1984 Bohm et al. 396/25

Primary Examiner—Ted Shooman
Assistant Examiner—Adir Aronovich
Attorney, Agent, or Firm—Foley & Lardner

[57] **CLAIM**

The ornamental design for a camera, as shown and described.

DESCRIPTION

FIG. 1 is a perspective view of a camera showing my new design;
FIG. 2 is a left side elevational view thereof;
FIG. 3 is a top plan view thereof;
FIG. 4 is a front elevational view thereof;
FIG. 5 is a bottom plan view thereof;
FIG. 6 is a right side elevational view thereof; and,
FIG. 7 is a rear elevational view thereof.

1 Claim, 3 Drawing Sheets

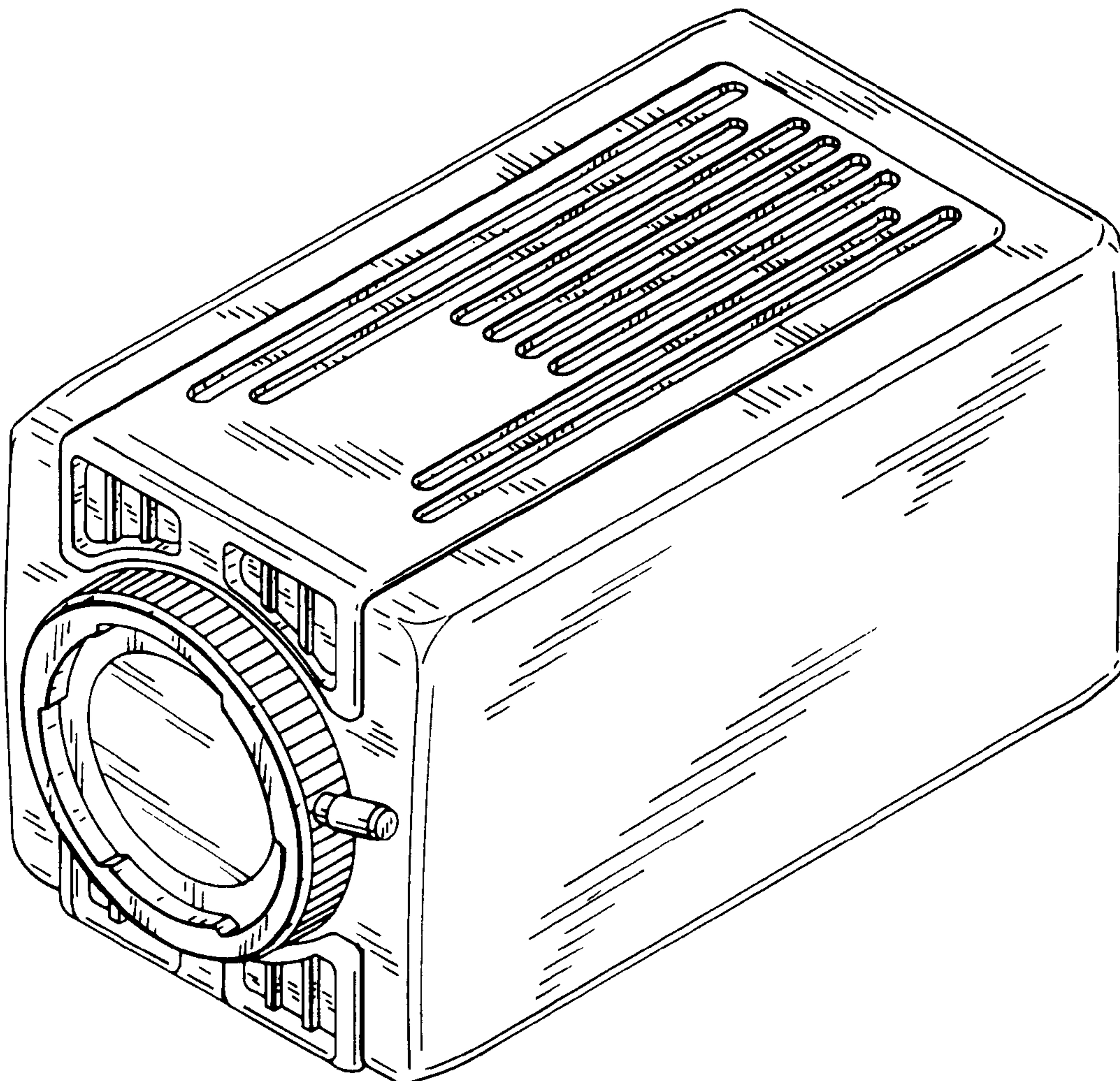
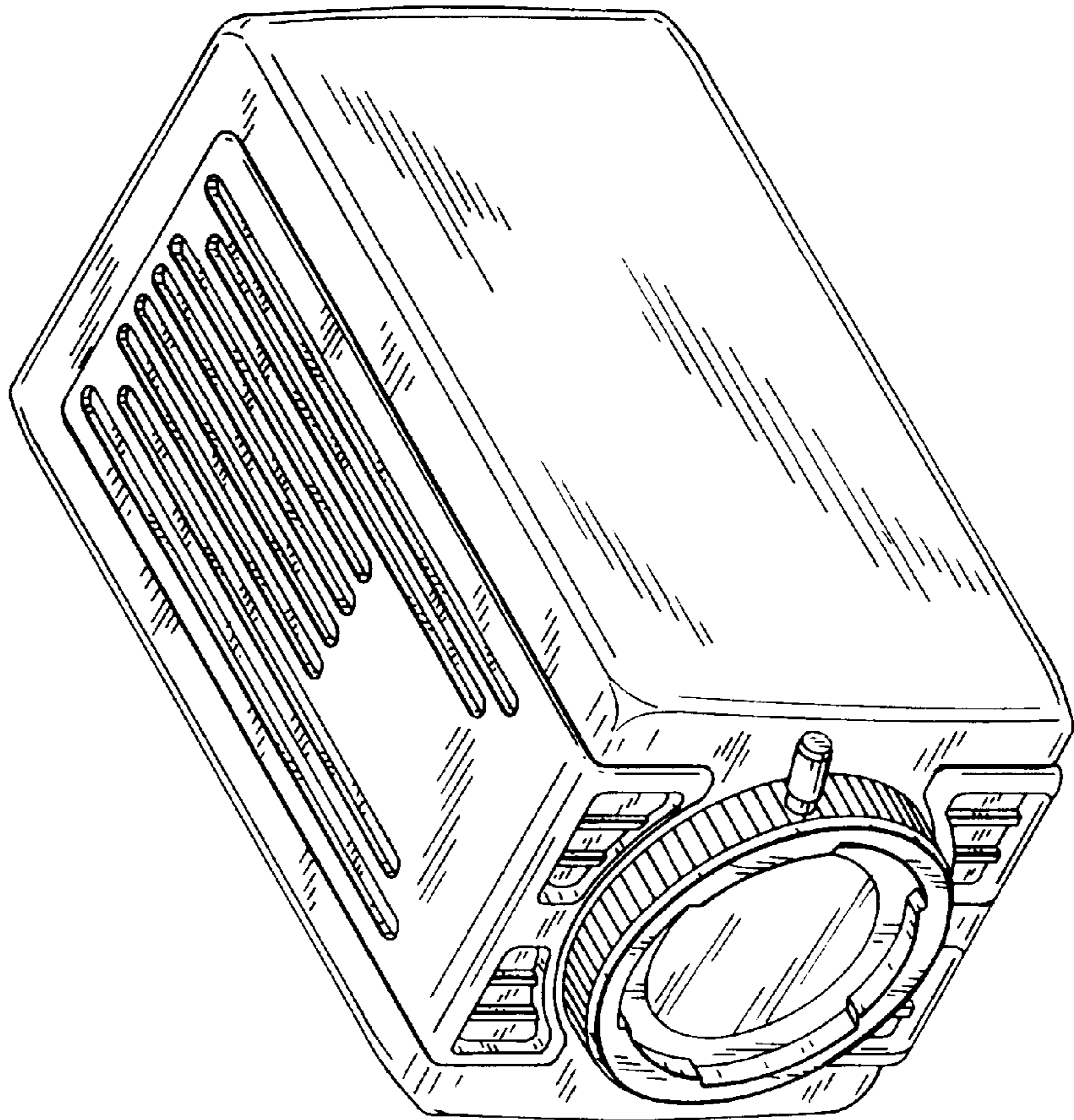


FIG. 1



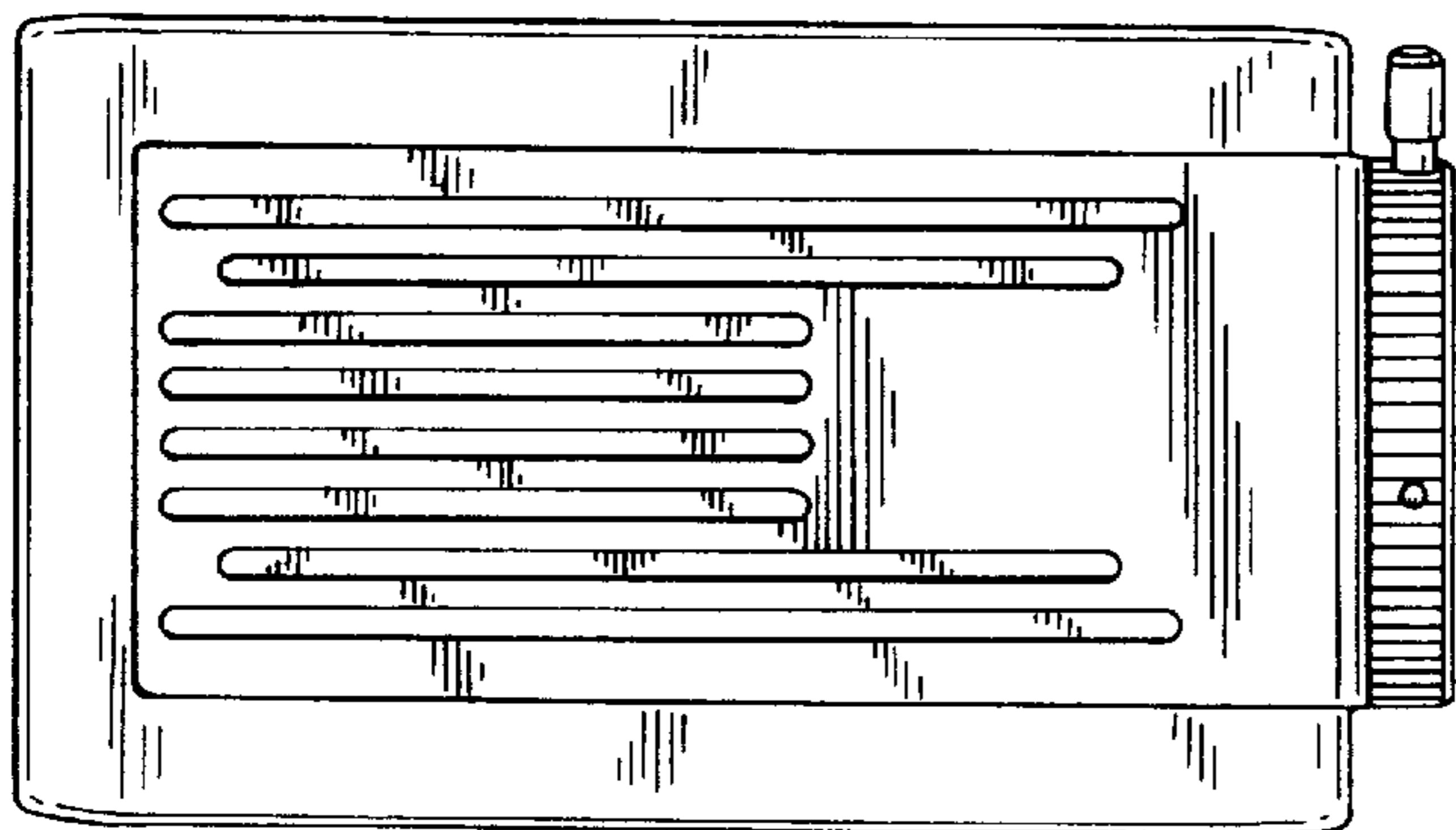


FIG. 3

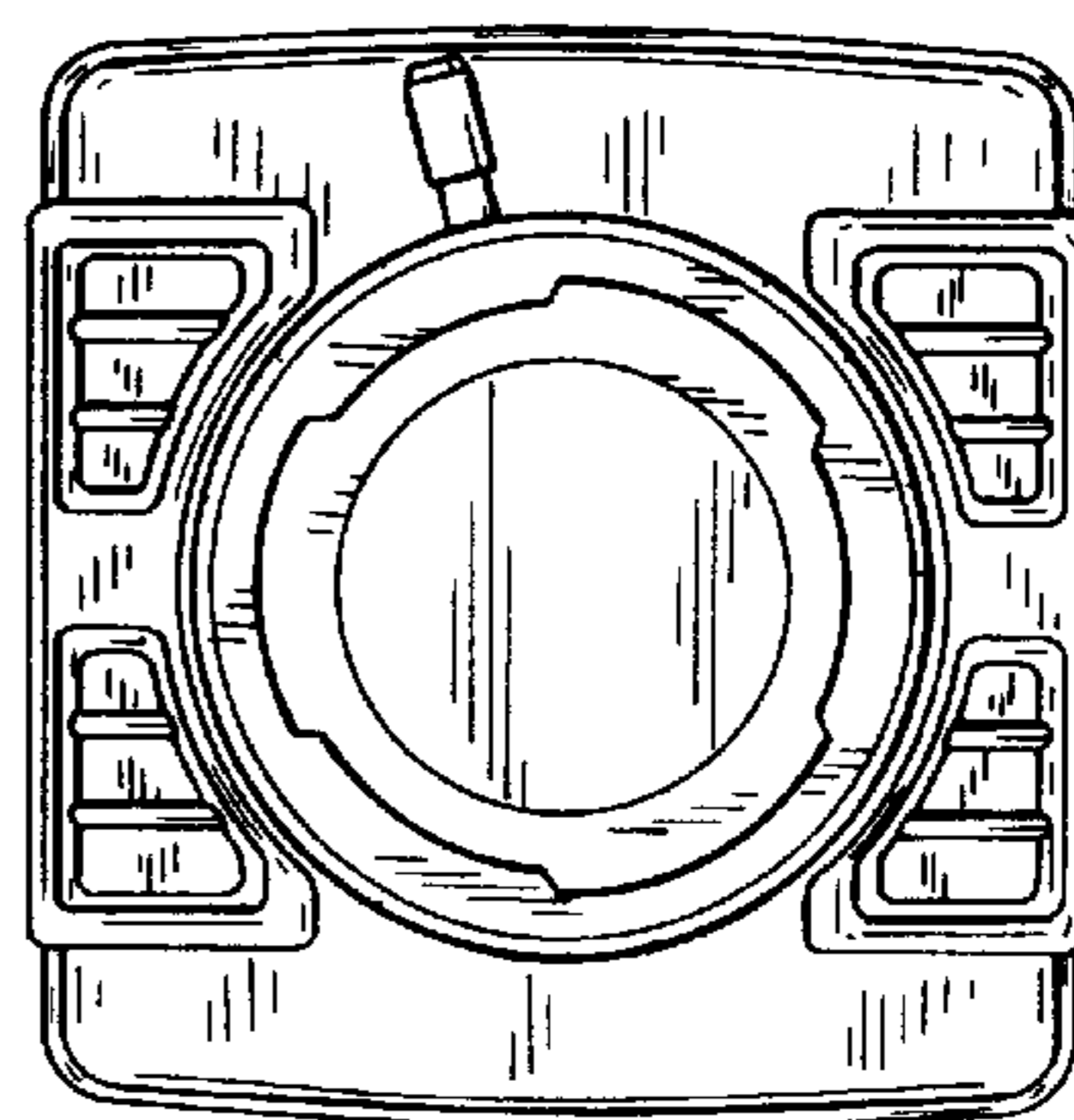


FIG. 4

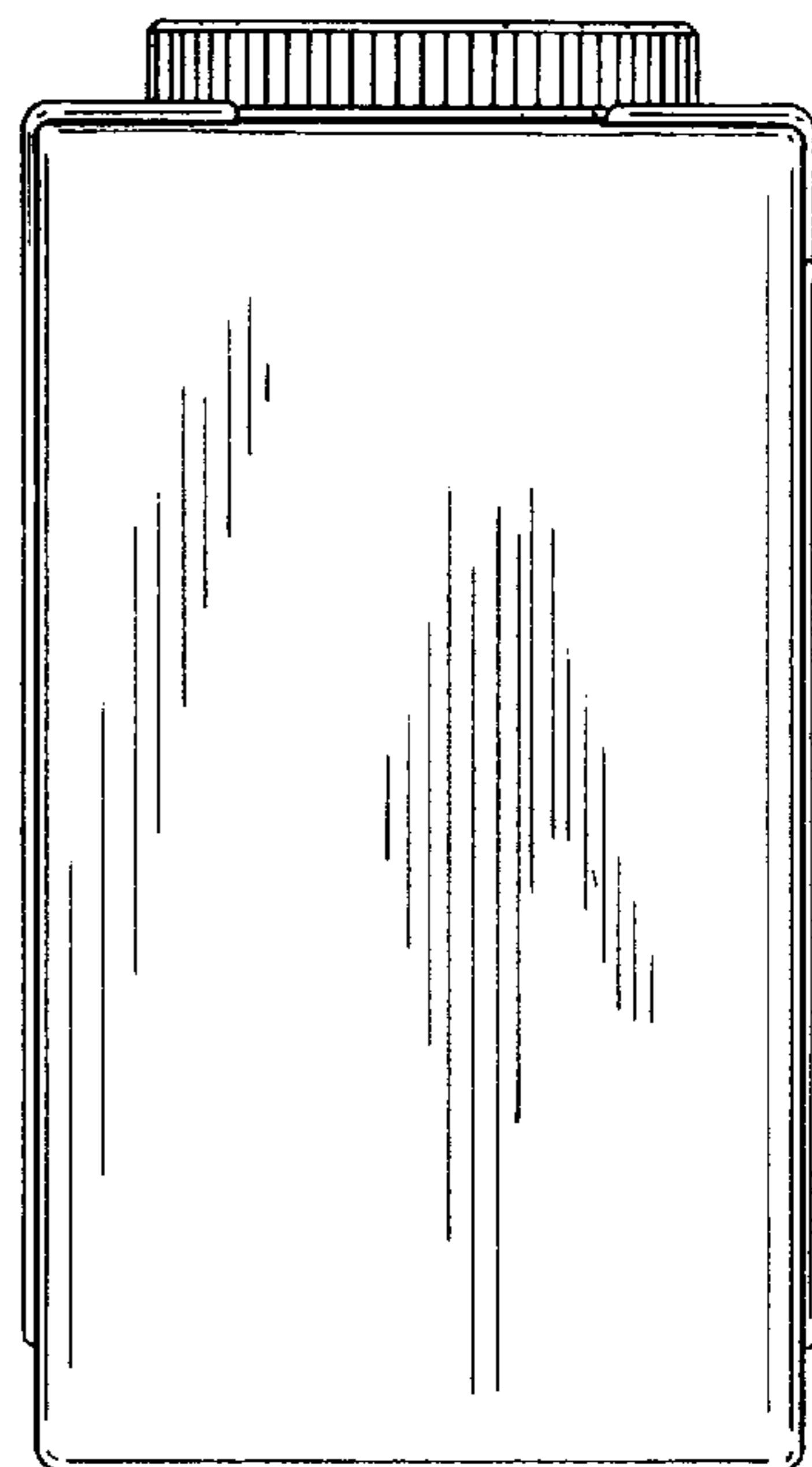


FIG. 2

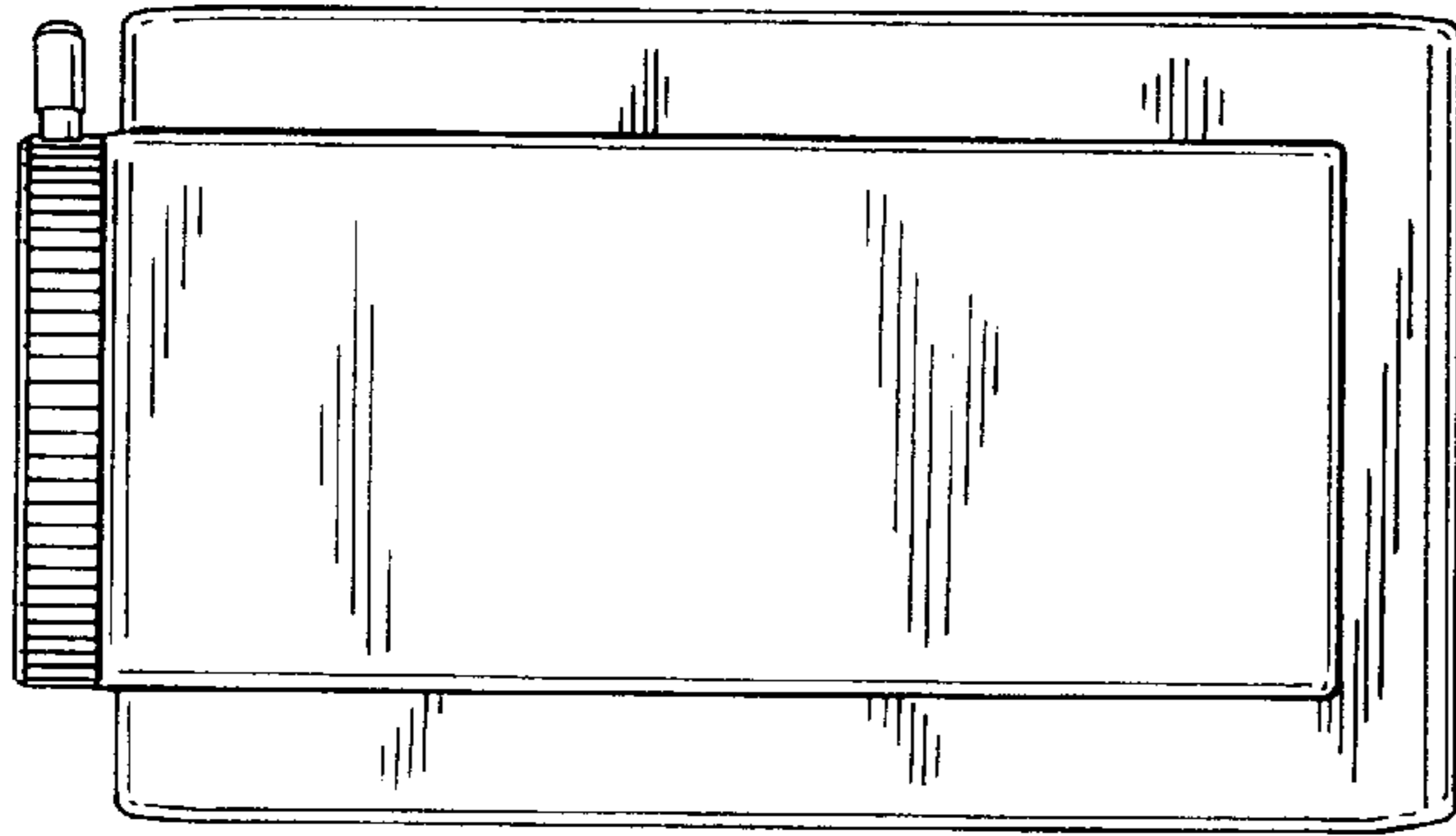


FIG. 5

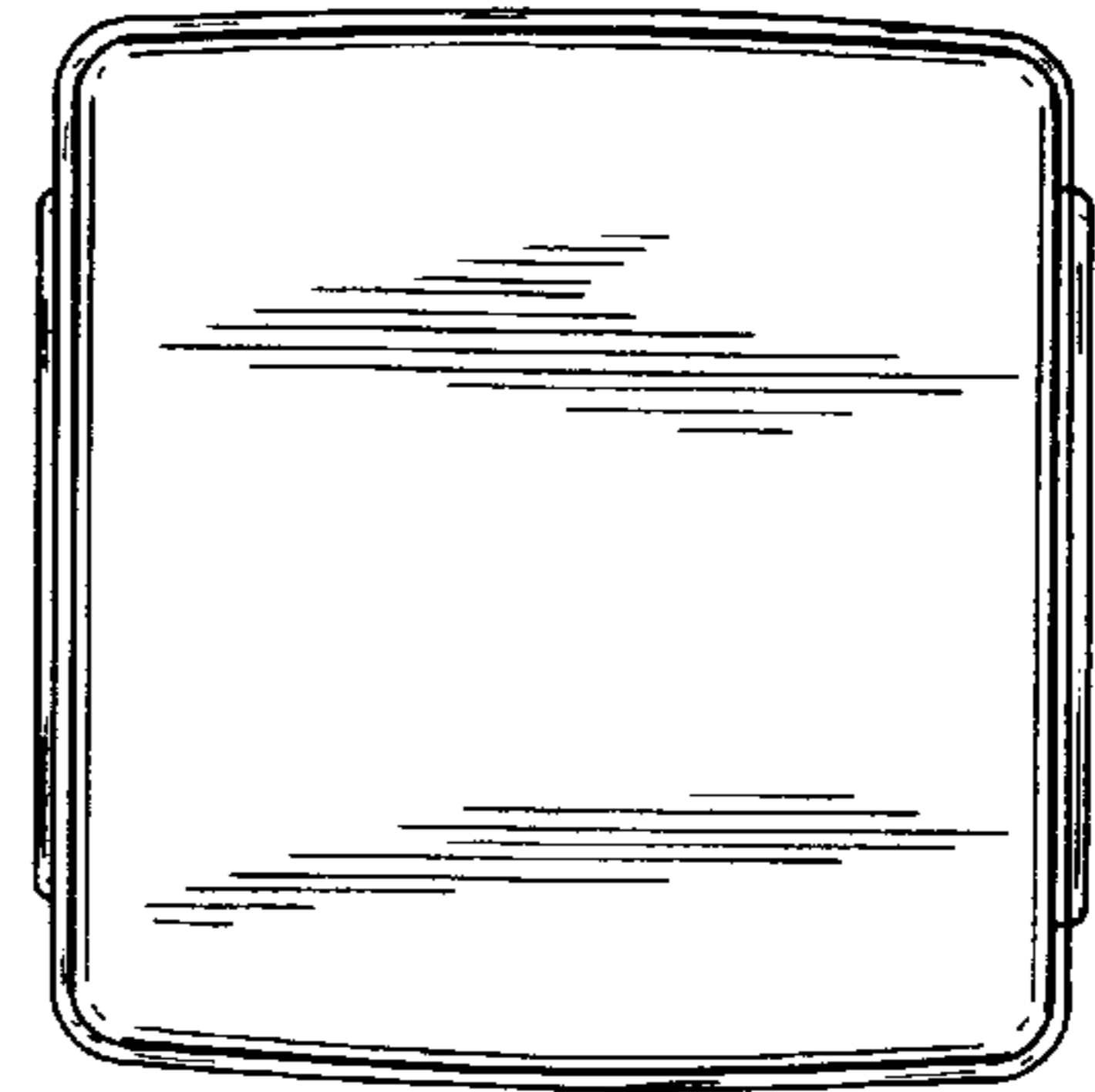


FIG. 7

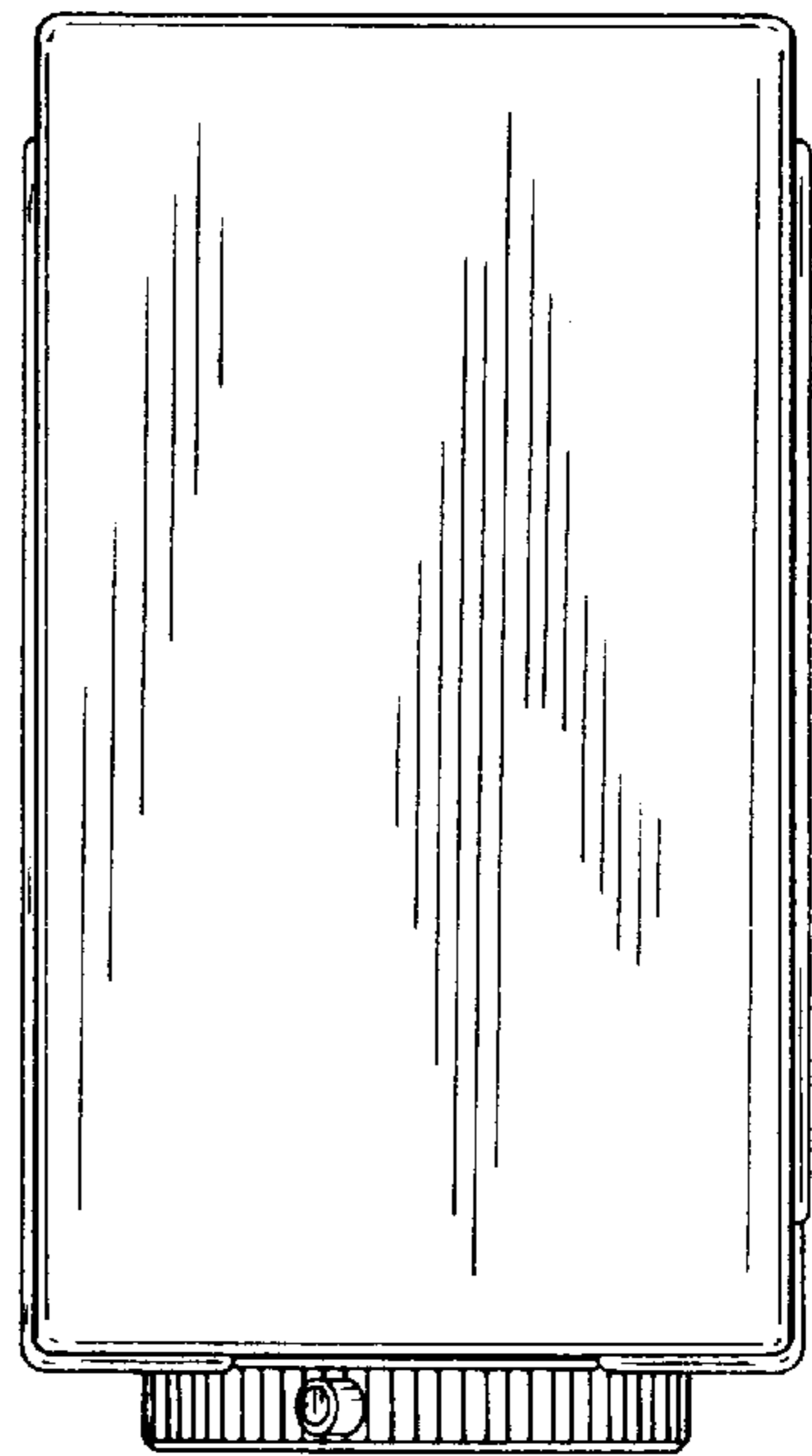


FIG. 6