



US00D409639S

# United States Patent [19]

[11] Patent Number: Des. 409,639

Sumita

[45] Date of Patent: \*\* May 11, 1999

## [54] COMBINED VIDEO TAPE RECORDER AND CAMERA

[75] Inventor: **Kaoru Sumita**, Tokyo, Japan

[73] Assignee: **Sony Corporation**, Tokyo, Japan

[\*\*] Term: **14 Years**

[21] Appl. No.: **29/084,392**

[22] Filed: **Mar. 2, 1998**

[51] LOC (6) Cl. .... **16-01**

[52] U.S. Cl. .... **D16/202**

[58] Field of Search ..... D16/200-208;  
348/373-376; 352/242, 243; 358/906; 396/535-543

### [56] References Cited

#### U.S. PATENT DOCUMENTS

D. 372,255	7/1996	Nakamura	.....	D16/202
D. 375,107	10/1996	Ishii	.....	D16/202
D. 376,166	12/1996	Ishii	.....	D16/202
D. 385,568	10/1997	Harata	.....	D16/202
5,294,988	3/1994	Wakabayashi et al.	.....	348/373
5,499,052	3/1996	Nakanishi et al.	.....	348/373

#### OTHER PUBLICATIONS

Catalog "87", Sony pp. 6-9, (Nov. 1997).

Primary Examiner—Adir Aronovich

Attorney, Agent, or Firm—Foley & Lardner

## [57] CLAIM

The ornamental design for a combined video tape recorder and camera, as shown and described.

## DESCRIPTION

FIG. 1 is a top, front perspective view of a combined video tape recorder and camera showing my new design;

FIG. 2 is a top, rear perspective view thereof, the viewing screen shown in an extending away position;

FIG. 3 is a top, rear perspective view thereof, the viewing screen shown in the first alternate position;

FIG. 4 is a top, rear perspective view thereof, the viewing screen shown in the second alternative position; and

FIG. 5 is a top, rear perspective view thereof, the viewing screen shown in the third alternative position;

FIG. 6 is a top plan view thereof;

FIG. 7 is a left side elevational view thereof;

FIG. 8 is a front elevational view thereof;

FIG. 9 is a rear elevational view thereof;

FIG. 10 is a right side elevational view thereof; and,

FIG. 11 is a top, front perspective view thereof.

1 Claim, 10 Drawing Sheets

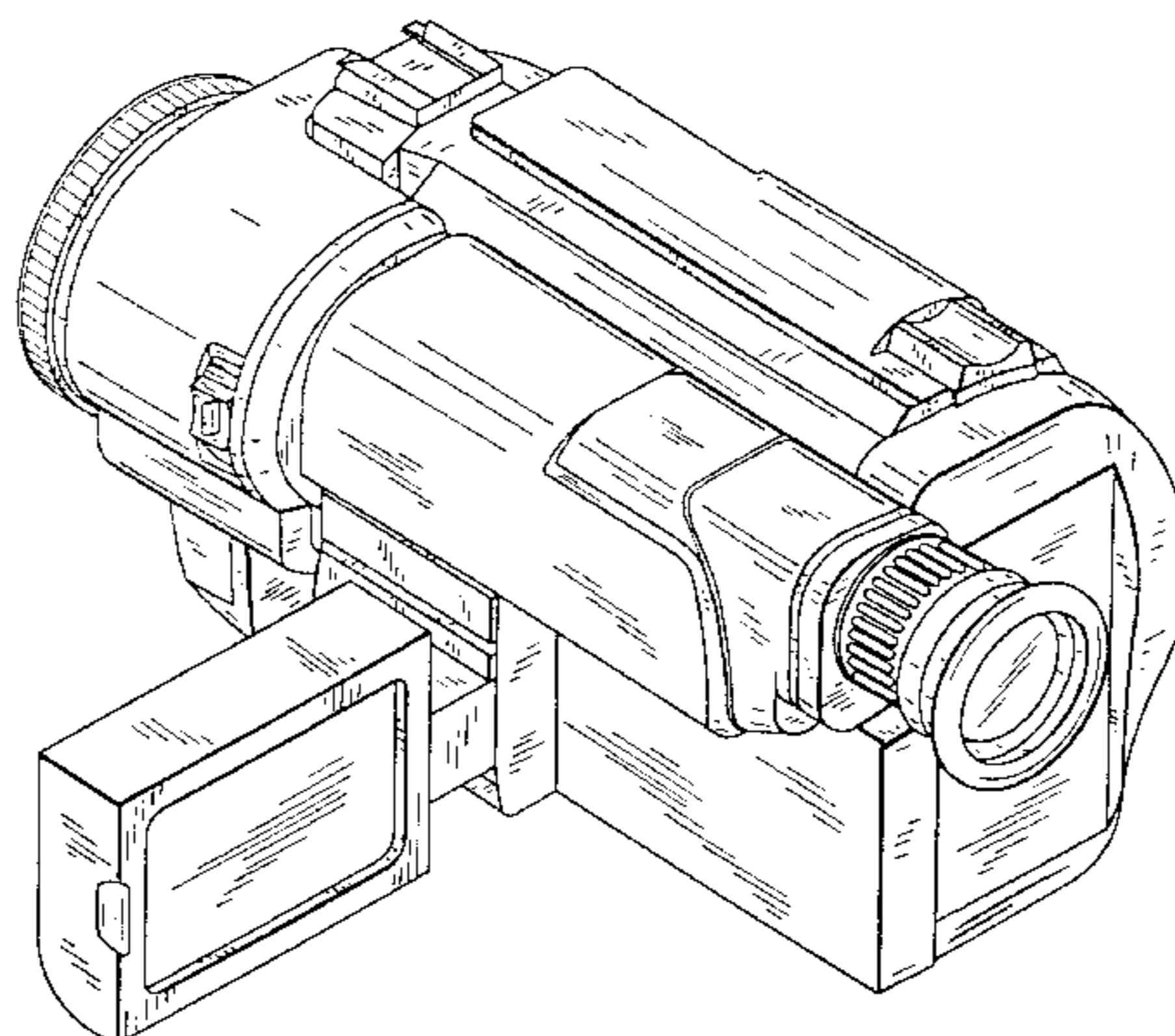
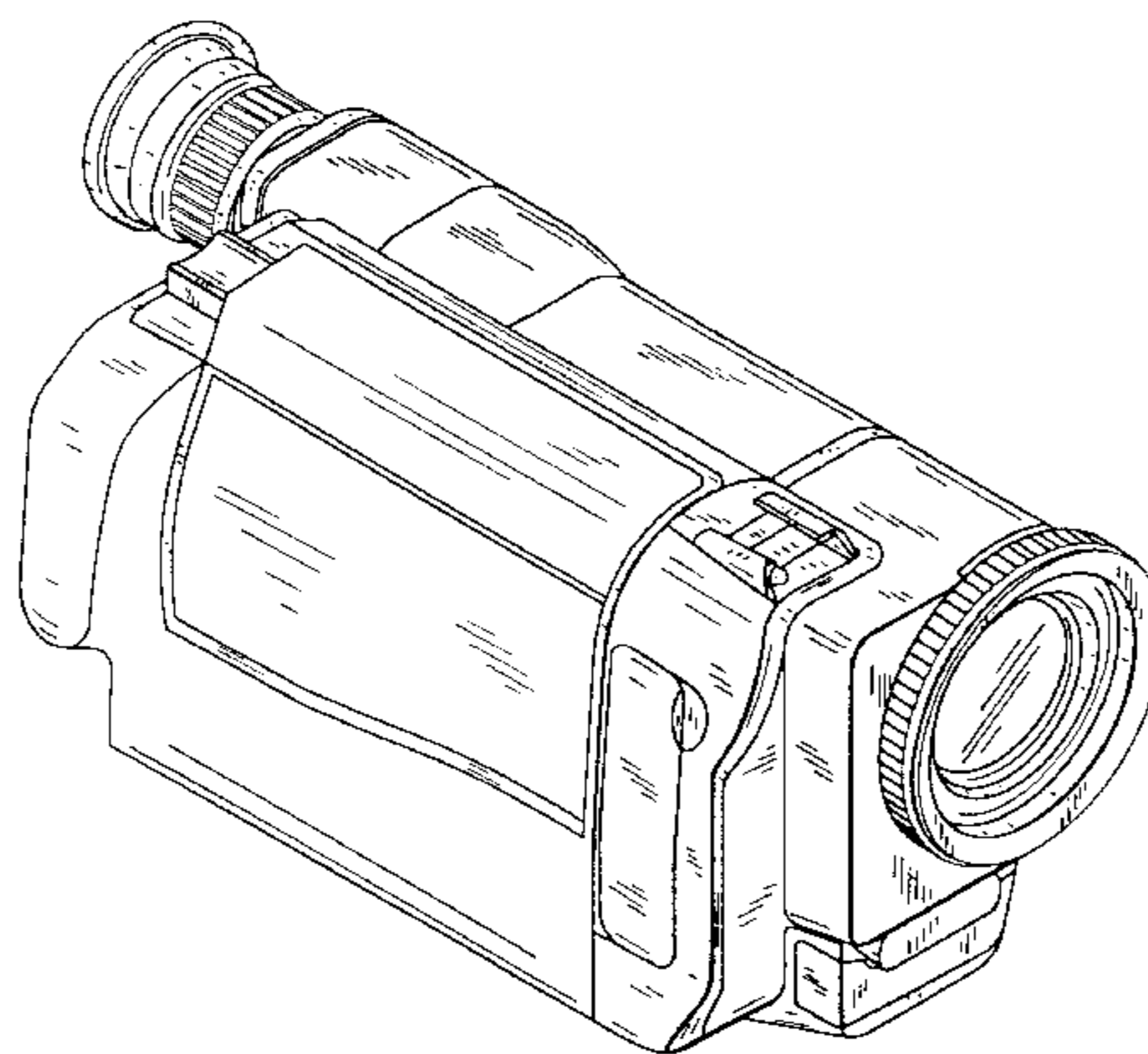


FIG. 1

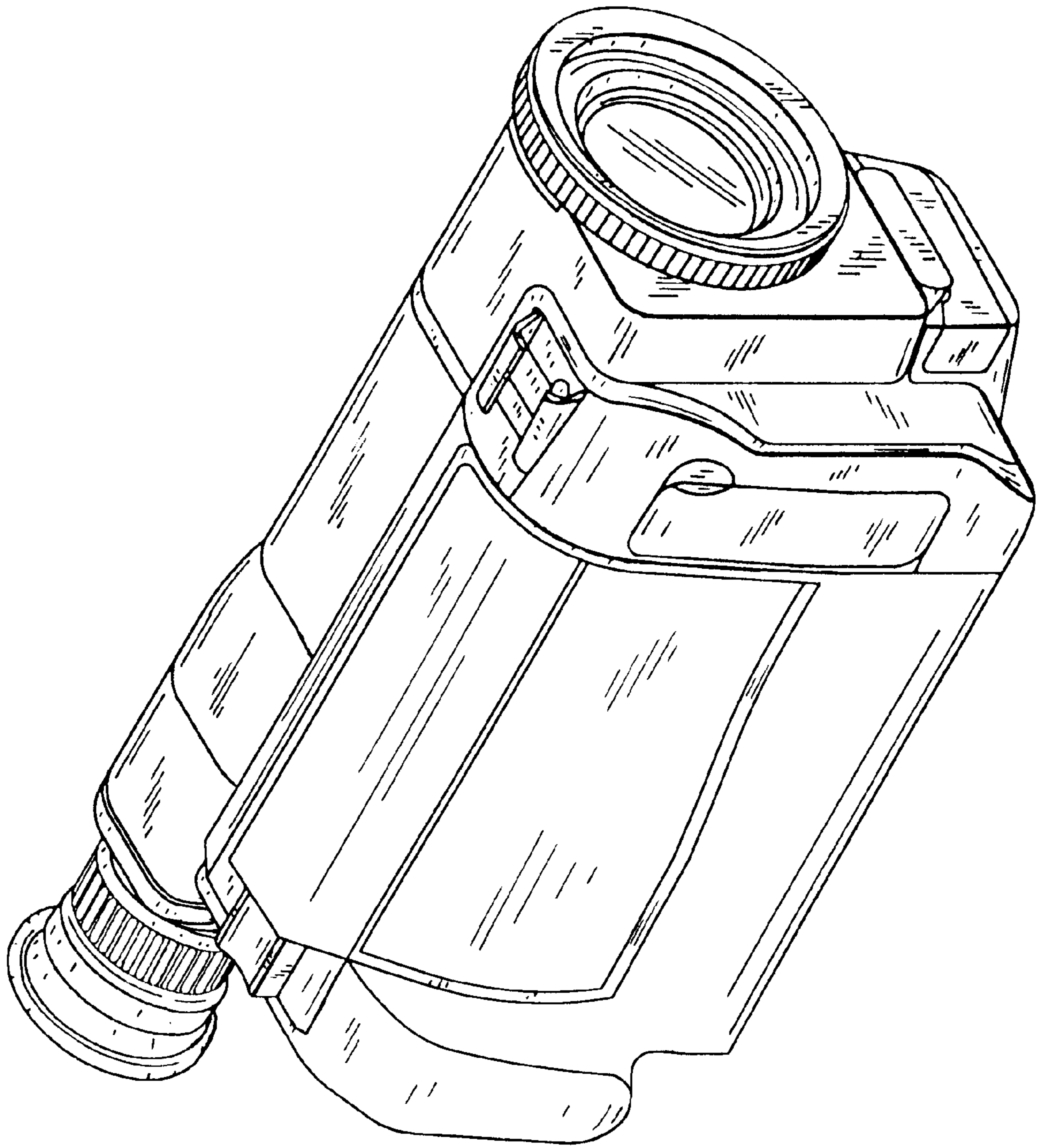


FIG. 2

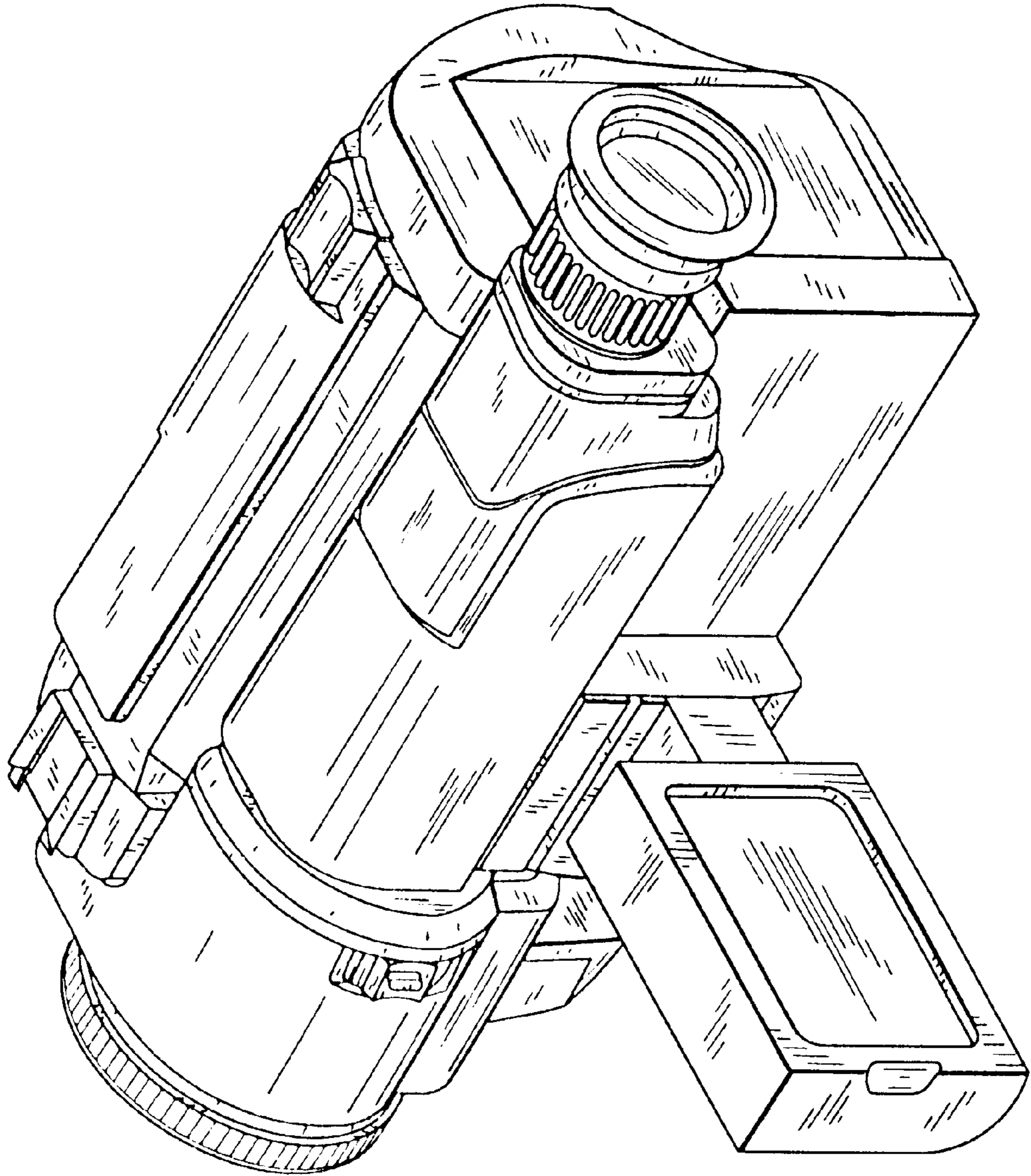


FIG. 3

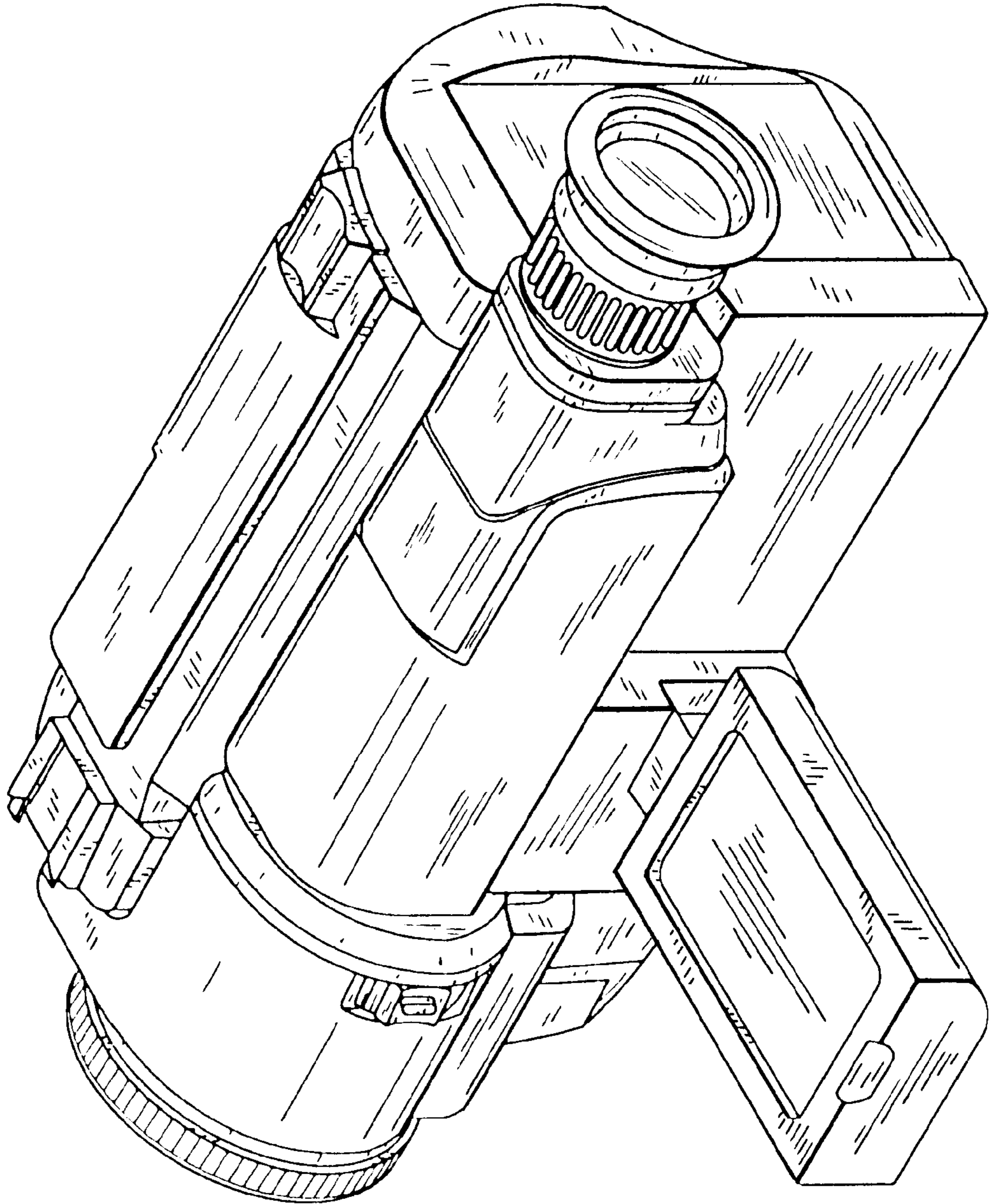


FIG. 4

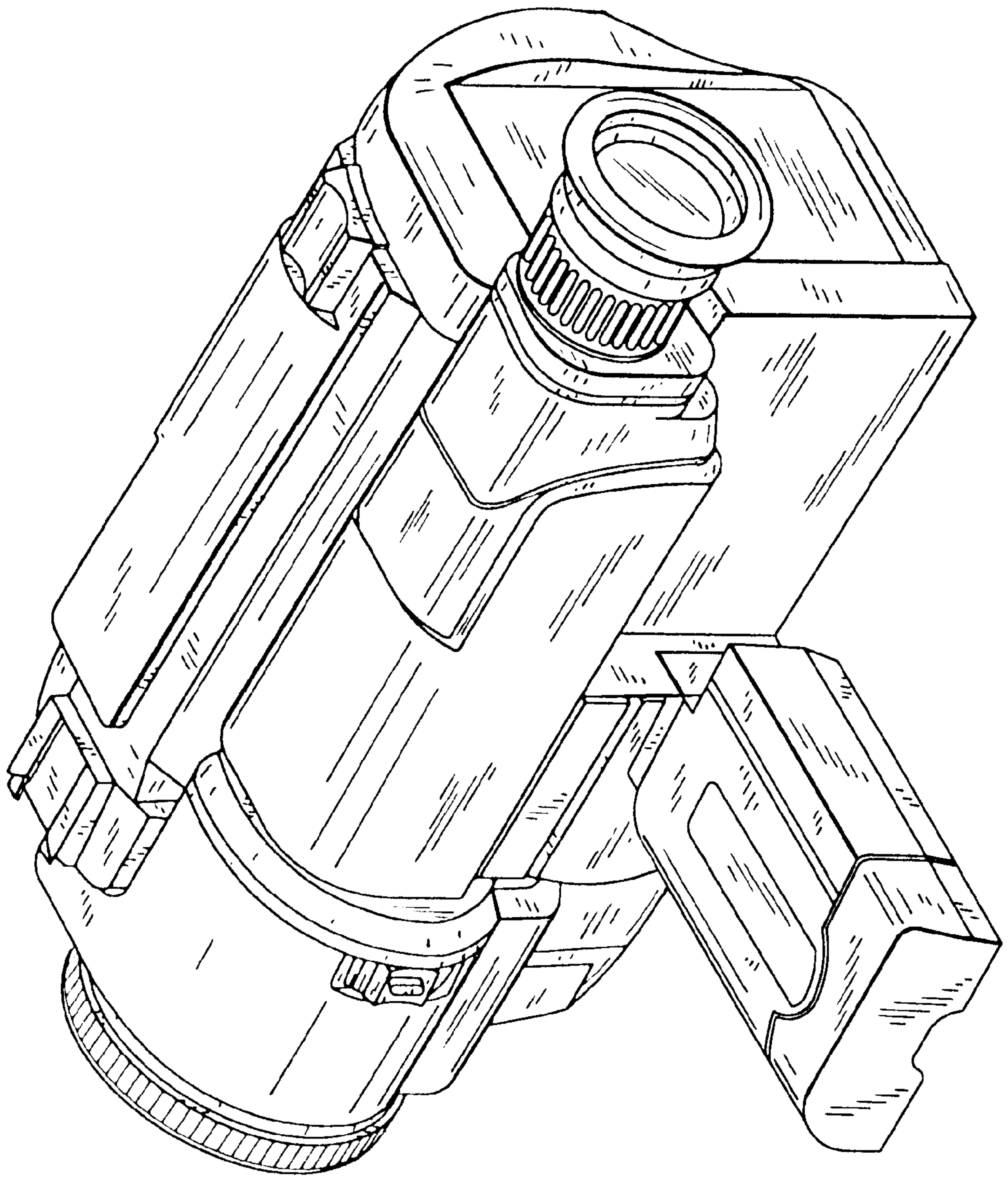


FIG. 5

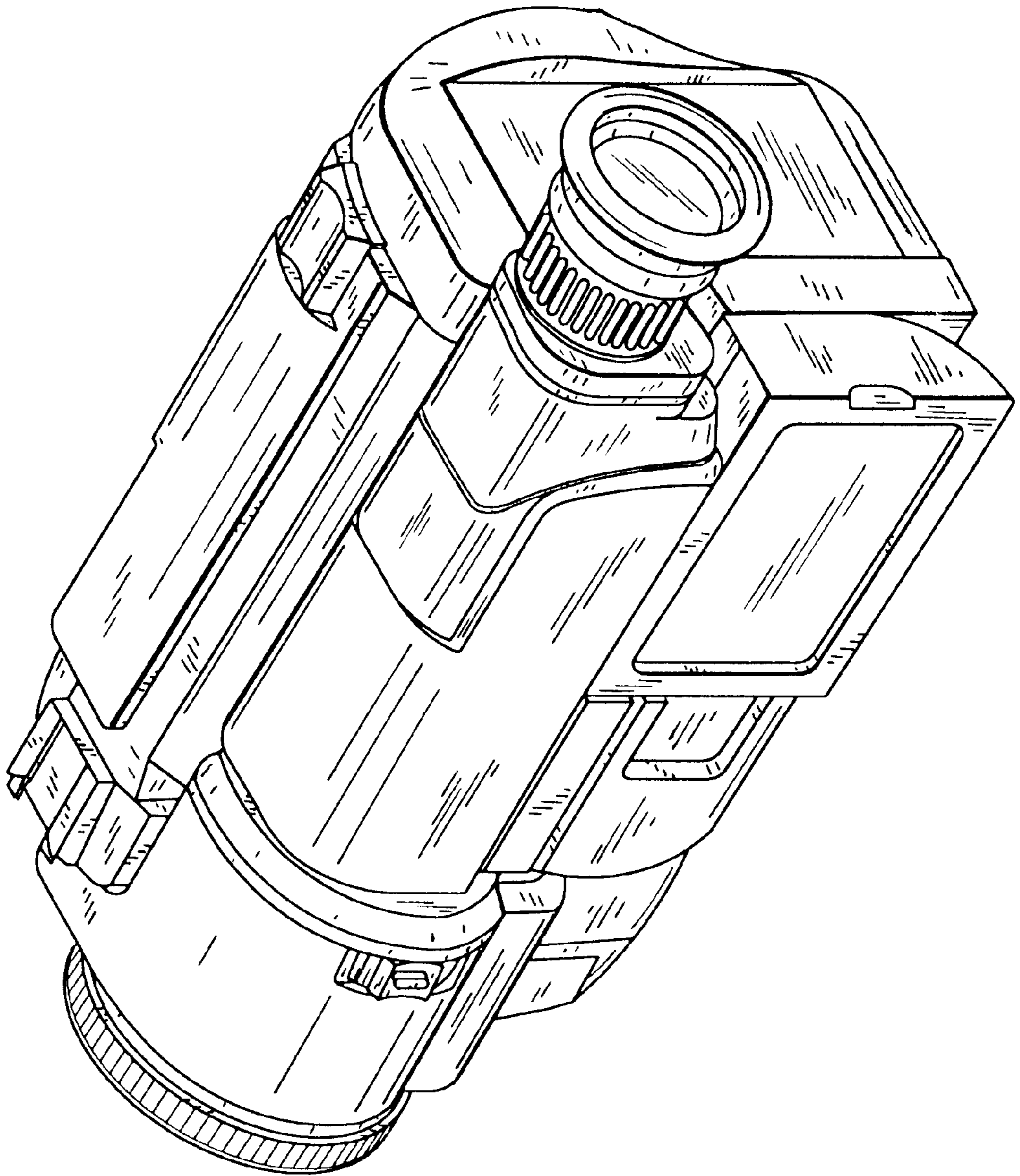


FIG. 6

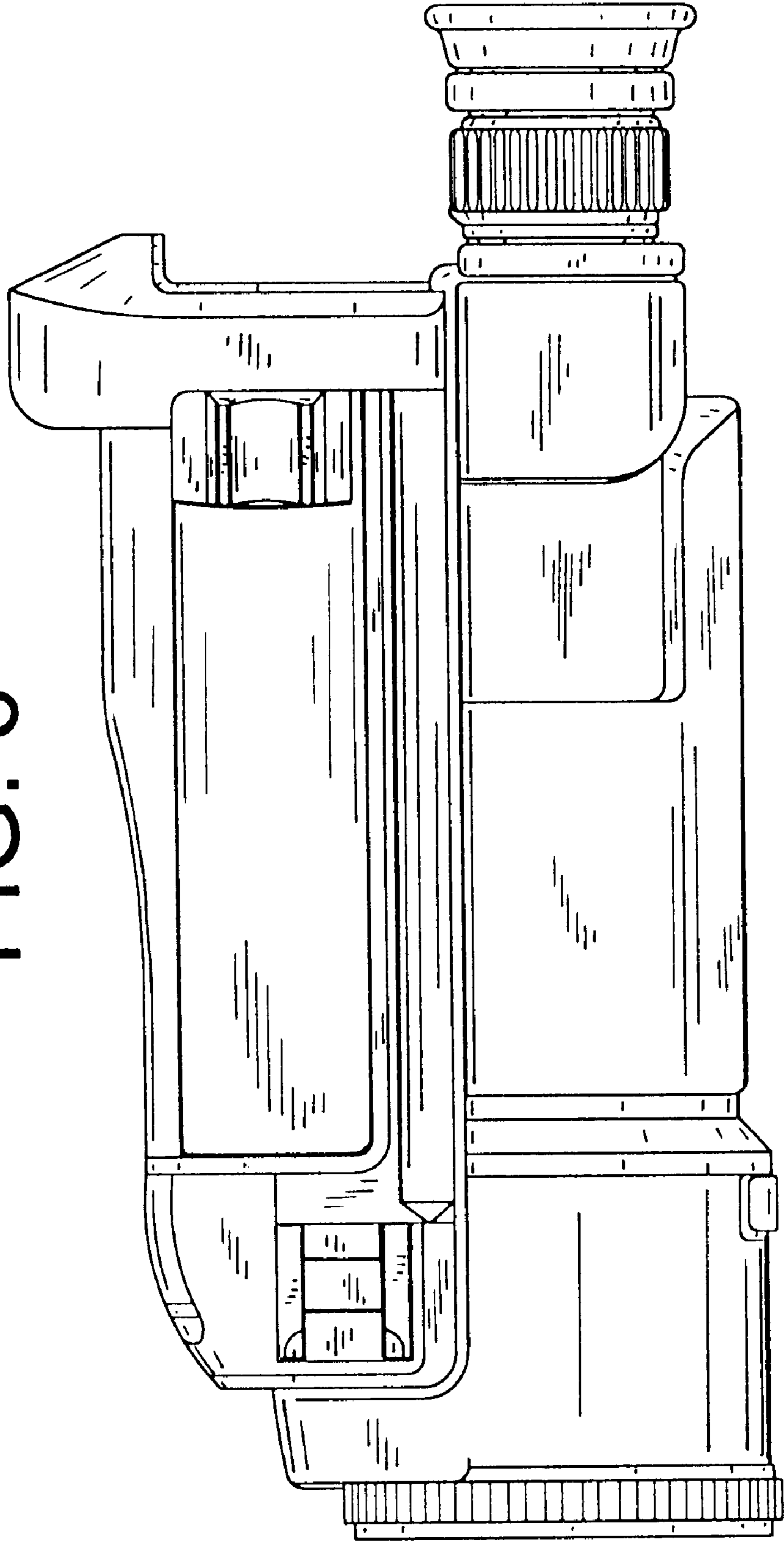


FIG. 7

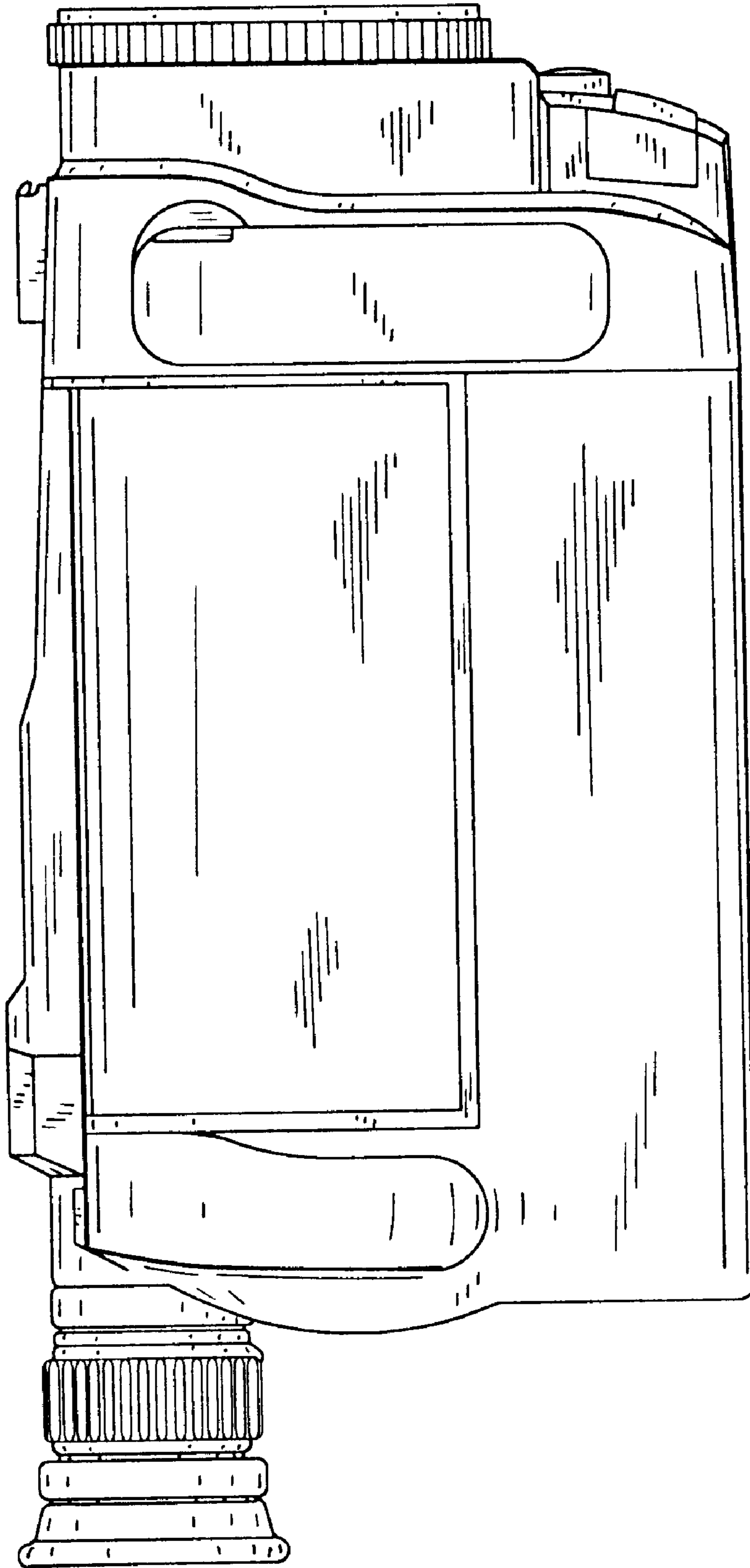




FIG. 8

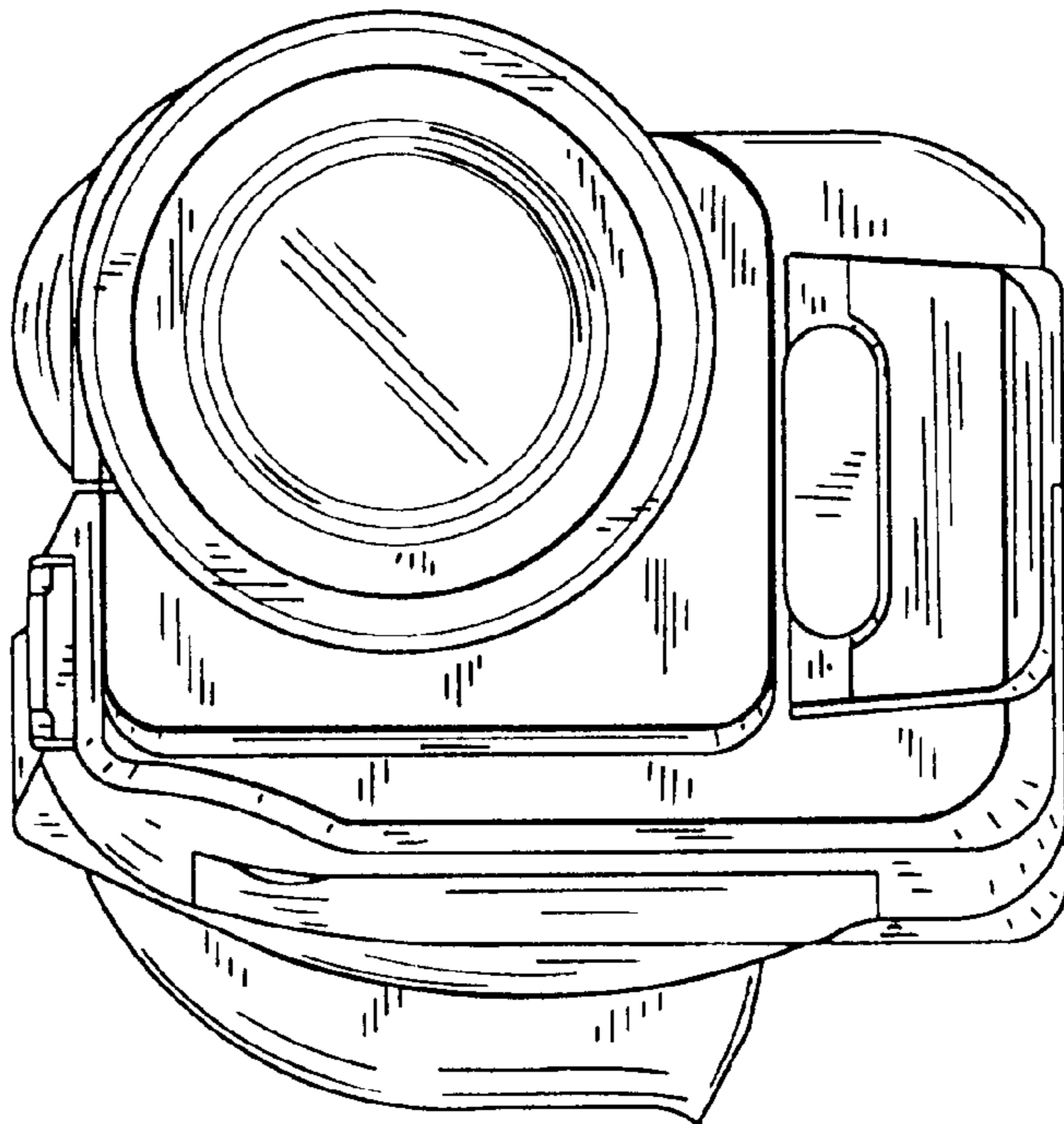


FIG. 9

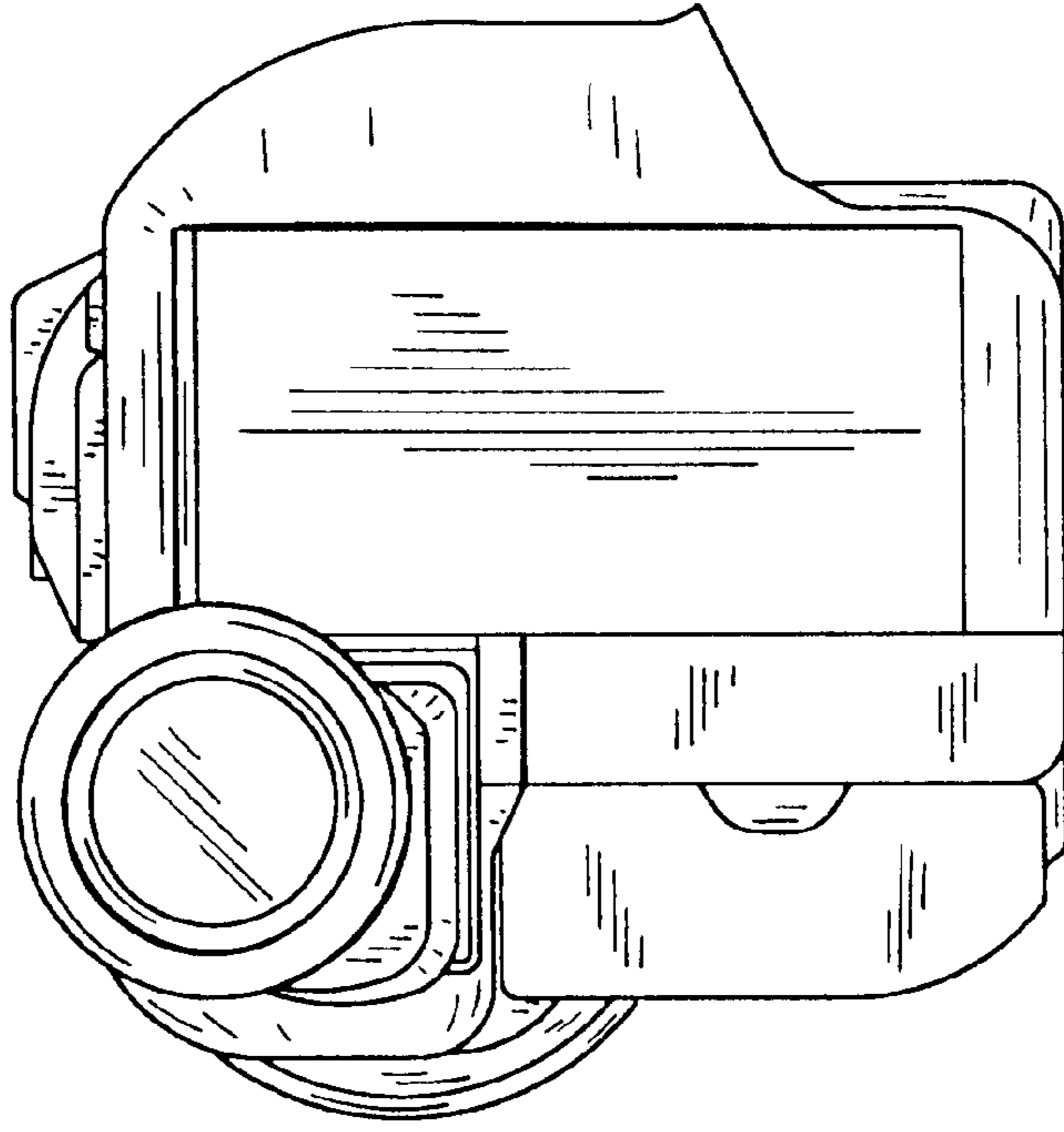


FIG. 10

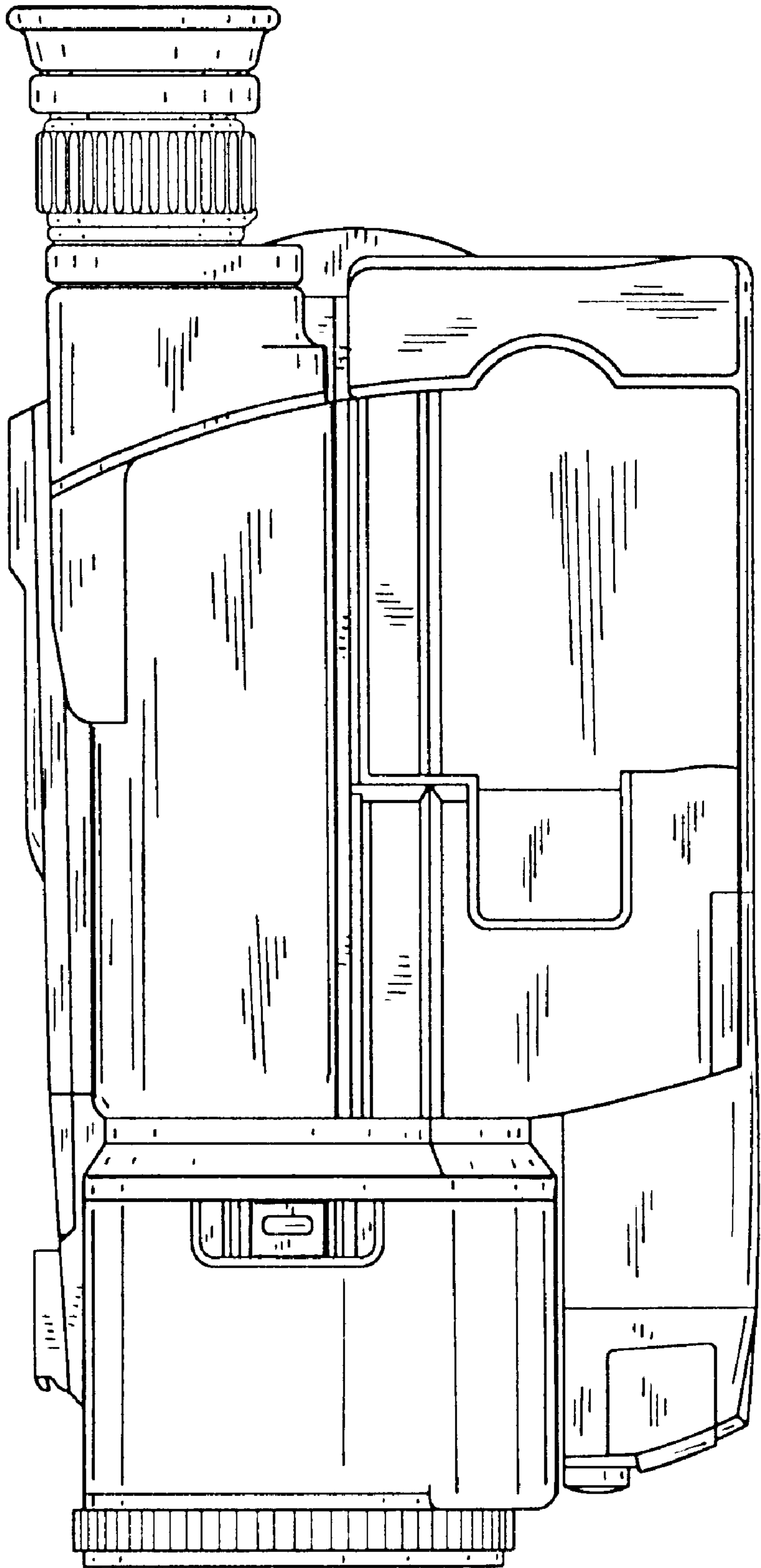


FIG. 11

