



US00D409637S

# United States Patent [19]

[11] Patent Number: **Des. 409,637**

Tomita et al.

[45] Date of Patent: **\*\* May 11, 1999**

[54] PAIR OF BINOCULARS

Attorney, Agent, or Firm—Foley & Lardner

[75] Inventors: **Sejiro Tomita; Ichiro Katagiri; Takahiro Yabe**, all of Tokyo, Japan

[57] CLAIM

The ornamental design for a pair of binoculars, as shown and described.

[73] Assignee: **Sony Corporation**, Tokyo, Japan

[\*\*] Term: **14 Years**

### DESCRIPTION

[21] Appl. No.: **29/084,523**

FIG. 1 is a front perspective view of a pair of binoculars showing our new design; FIG. 2 is a rear elevational view of the first embodiment; FIG. 3 is a top plan view thereof; FIG. 4 is a front elevational view thereof; FIG. 5 is a right side elevational view thereof, a left side elevational view being a mirror image; FIG. 6 is a bottom plan view thereof; FIG. 7 is a front perspective view of the embodiment of FIG. 1 with the cover in a closed position; FIG. 8 is a front perspective view of a second embodiment of a pair of binoculars showing our new design; FIG. 9 is a rear elevational view thereof; FIG. 10 is a top plan view thereof; FIG. 11 is a front elevational view thereof; FIG. 12 is a right side elevational view thereof, a left side elevational view being a mirror image; FIG. 13 is a bottom plan view thereof; FIG. 14 is a front perspective view of a third embodiment of a pair of binoculars showing our new design, with the cover in a closed position; and, FIG. 15 is a front perspective view thereof, the broken line showing of the card, attachments, hearts and arrows is for illustrative purposes only and forms no part of the claimed design.

[22] Filed: **Mar. 5, 1998**

### [30] Foreign Application Priority Data

Sep. 5, 1997 [JP] Japan ..... 9-66955

[51] LOC (6) Cl. .... **16-06**

[52] U.S. Cl. .... **D16/133**

[58] Field of Search ..... D16/130, 133; 359/407, 408, 410, 411, 413, 414, 417, 418, 421, 422

### [56] References Cited

#### U.S. PATENT DOCUMENTS

D. 113,640	3/1939	Morbee	.....	D16/133
D. 179,088	10/1956	Klein	.....	D16/133
D. 275,205	8/1984	Nakayama	.....	D16/133
D. 336,654	6/1993	Kung	.....	D16/133
D. 377,184	1/1997	Wells et al.	.....	D16/133
D. 387,785	12/1997	Matsushita	.....	D16/133
3,257,901	6/1966	Dowling et al.	.....	D16/133 X
4,013,341	3/1977	Riley	.....	359/408
4,268,111	5/1981	Green et al.	.....	359/408

Primary Examiner—Paula A. Mortimer

1 Claim, 9 Drawing Sheets

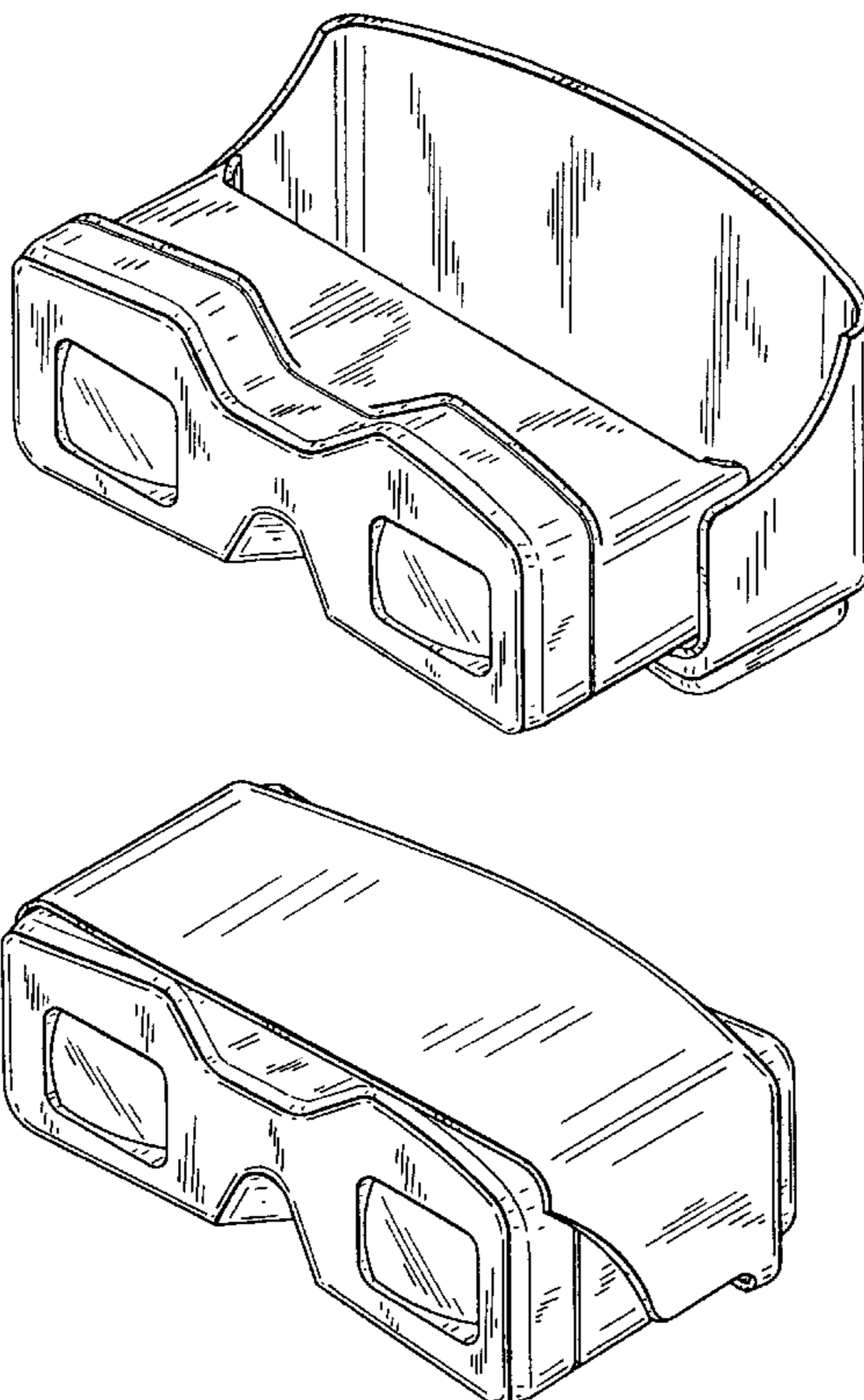


FIG. 2

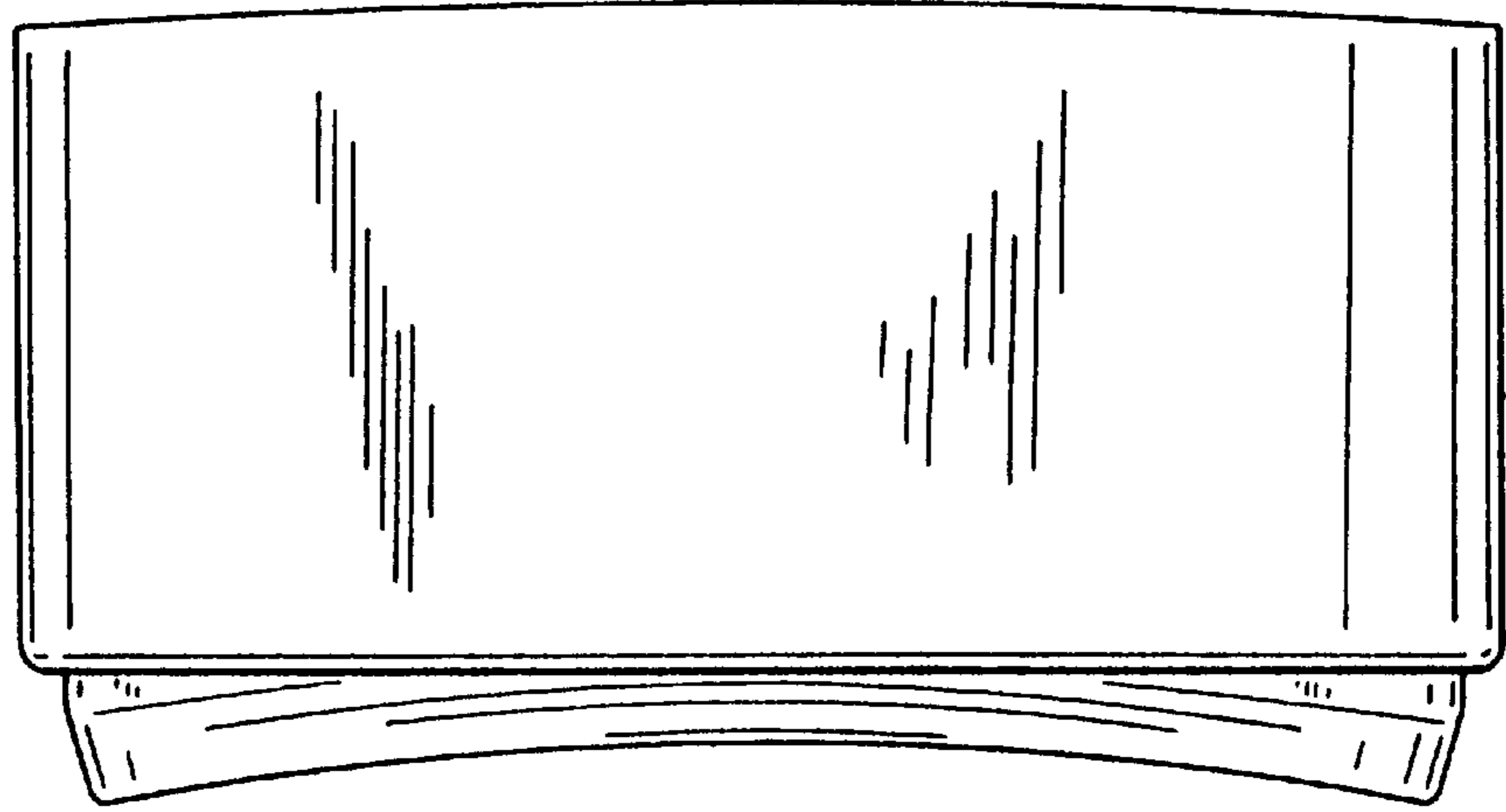


FIG. 1

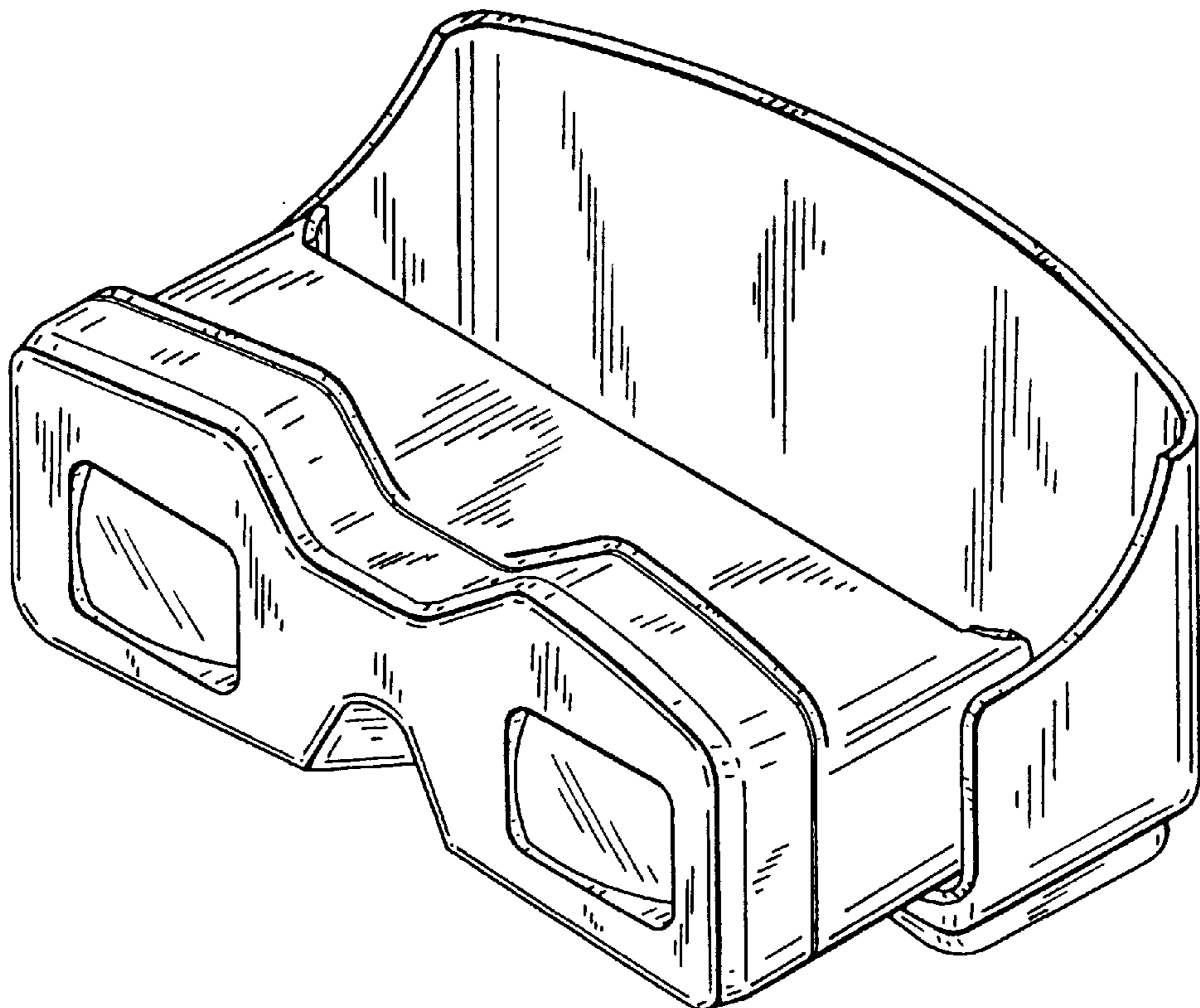


FIG. 3

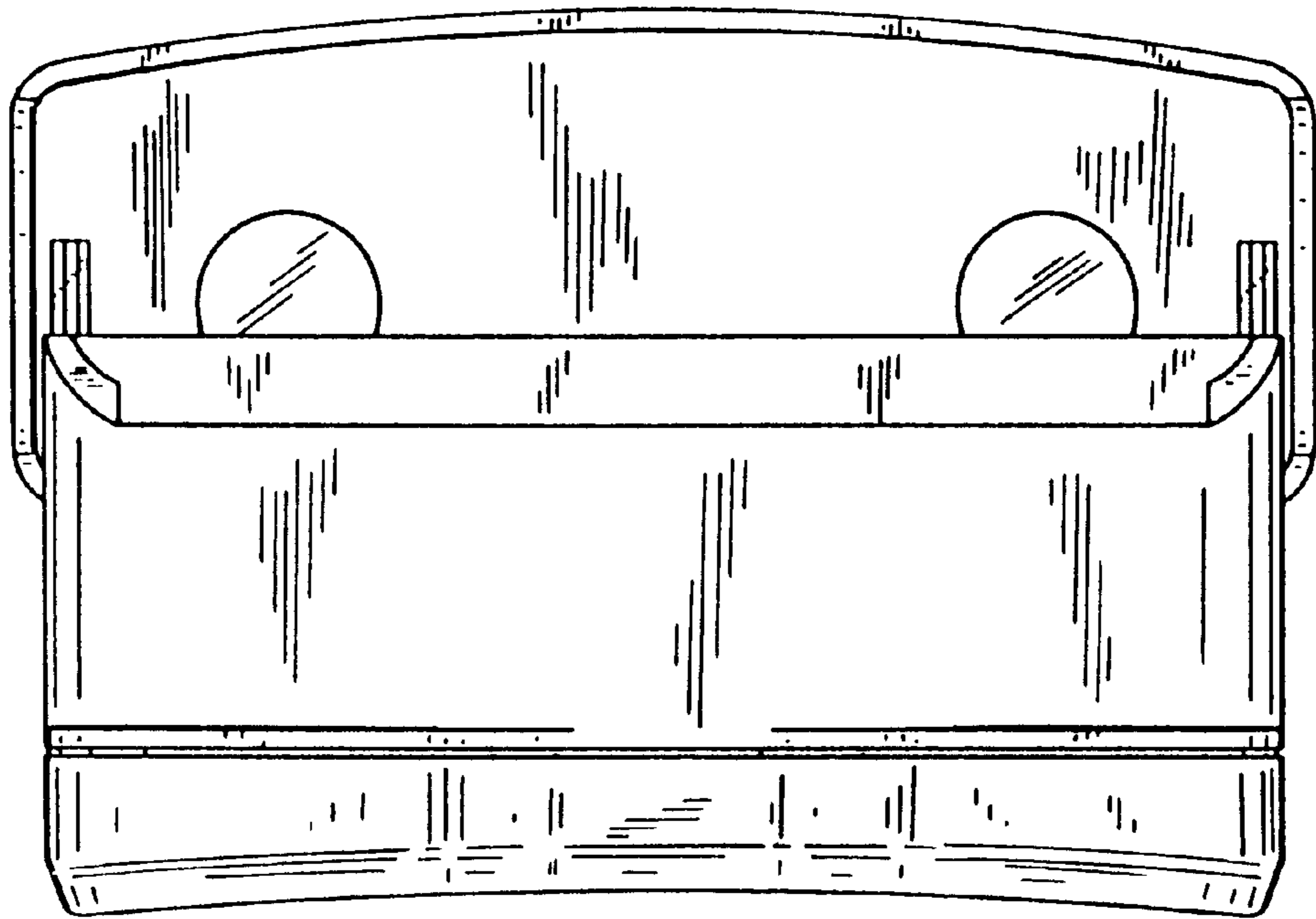


FIG. 4

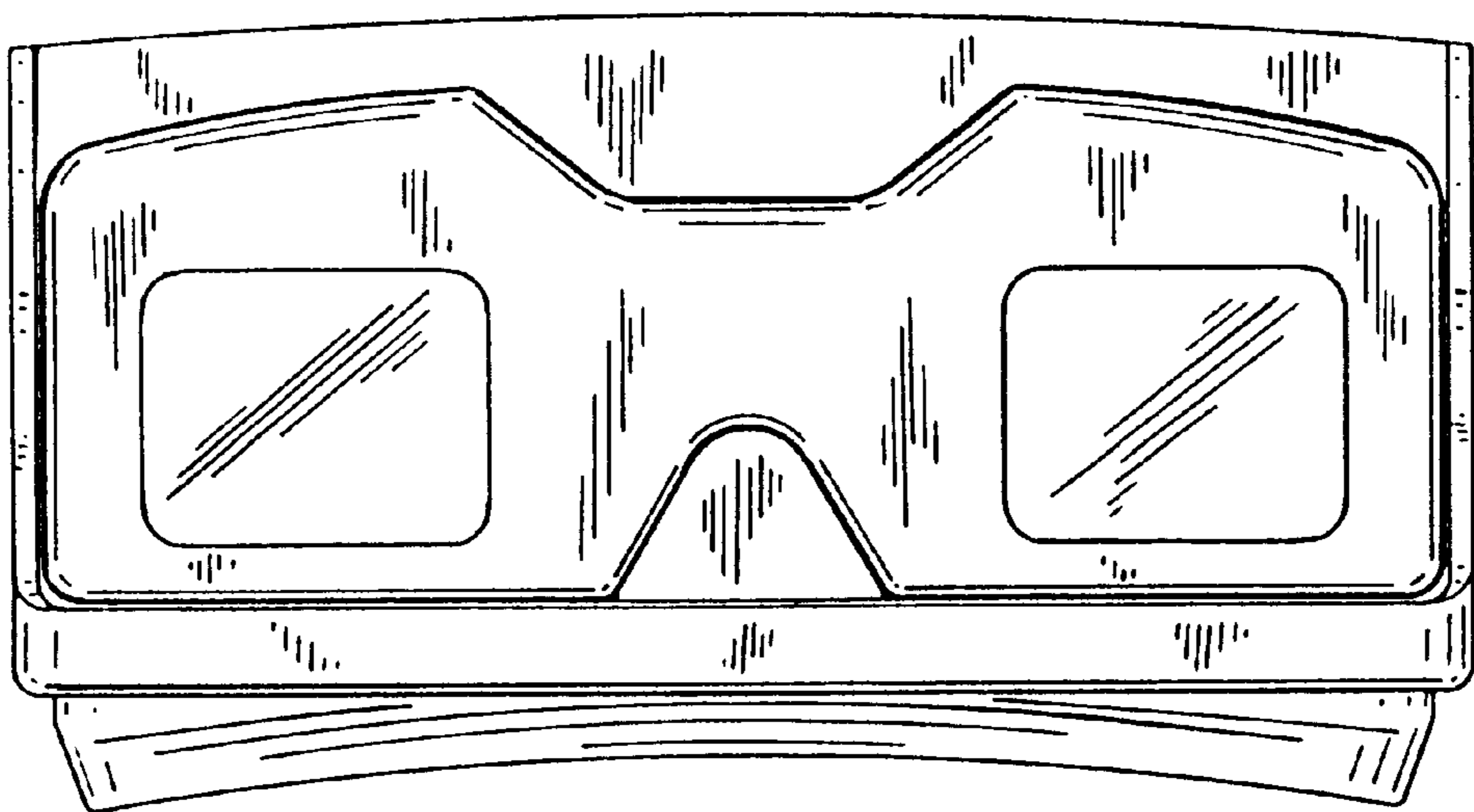


FIG. 5

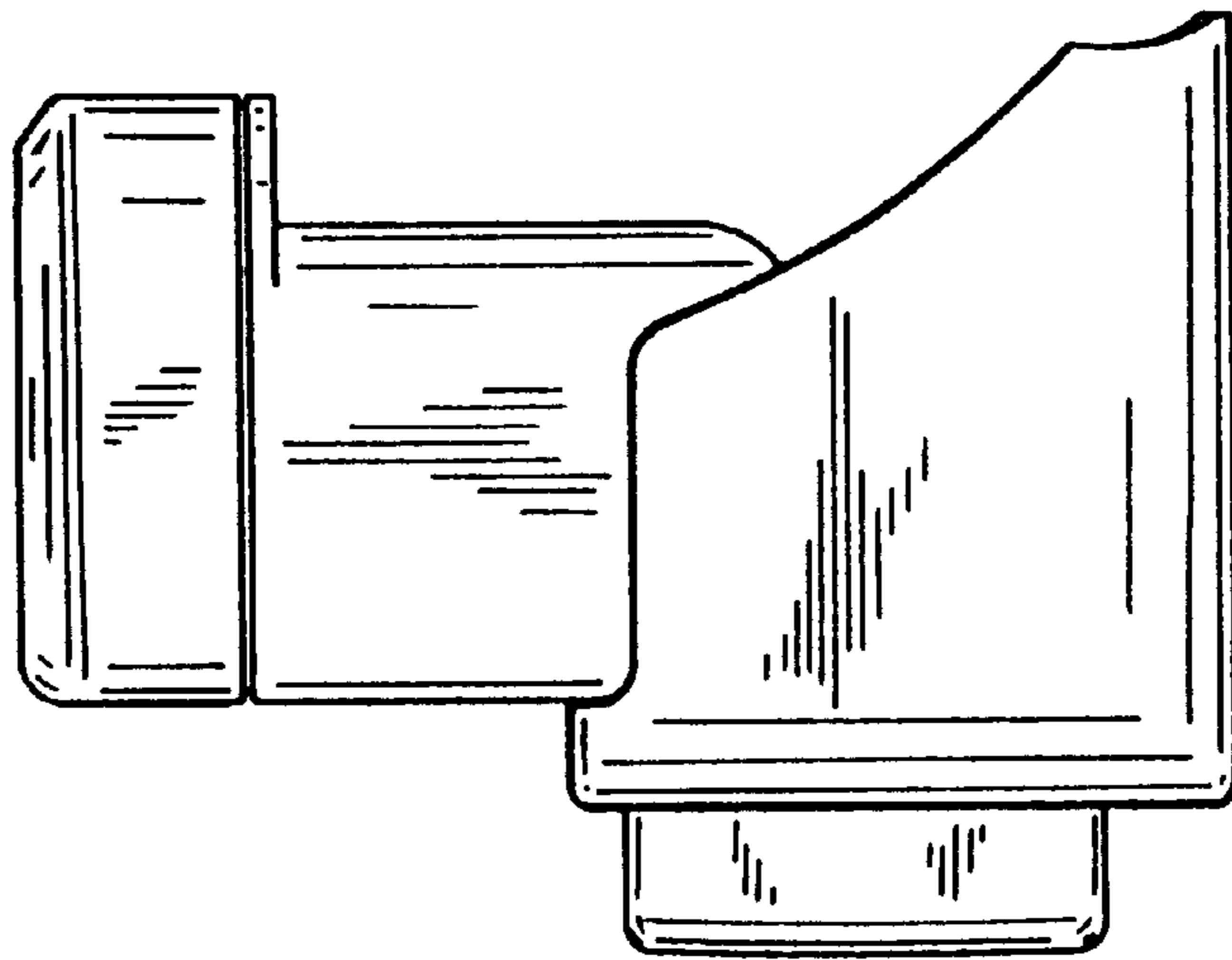


FIG. 6

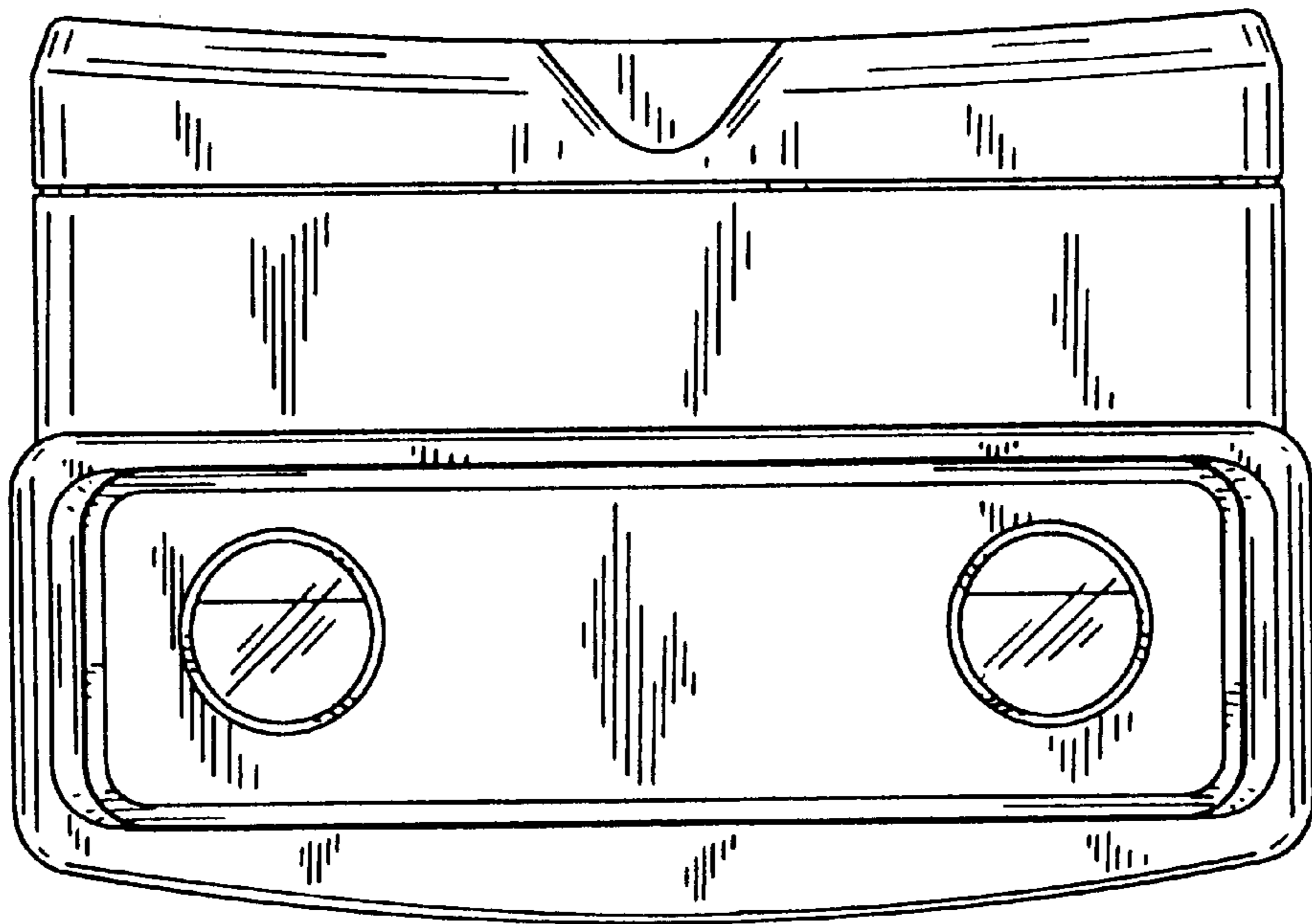


FIG. 7

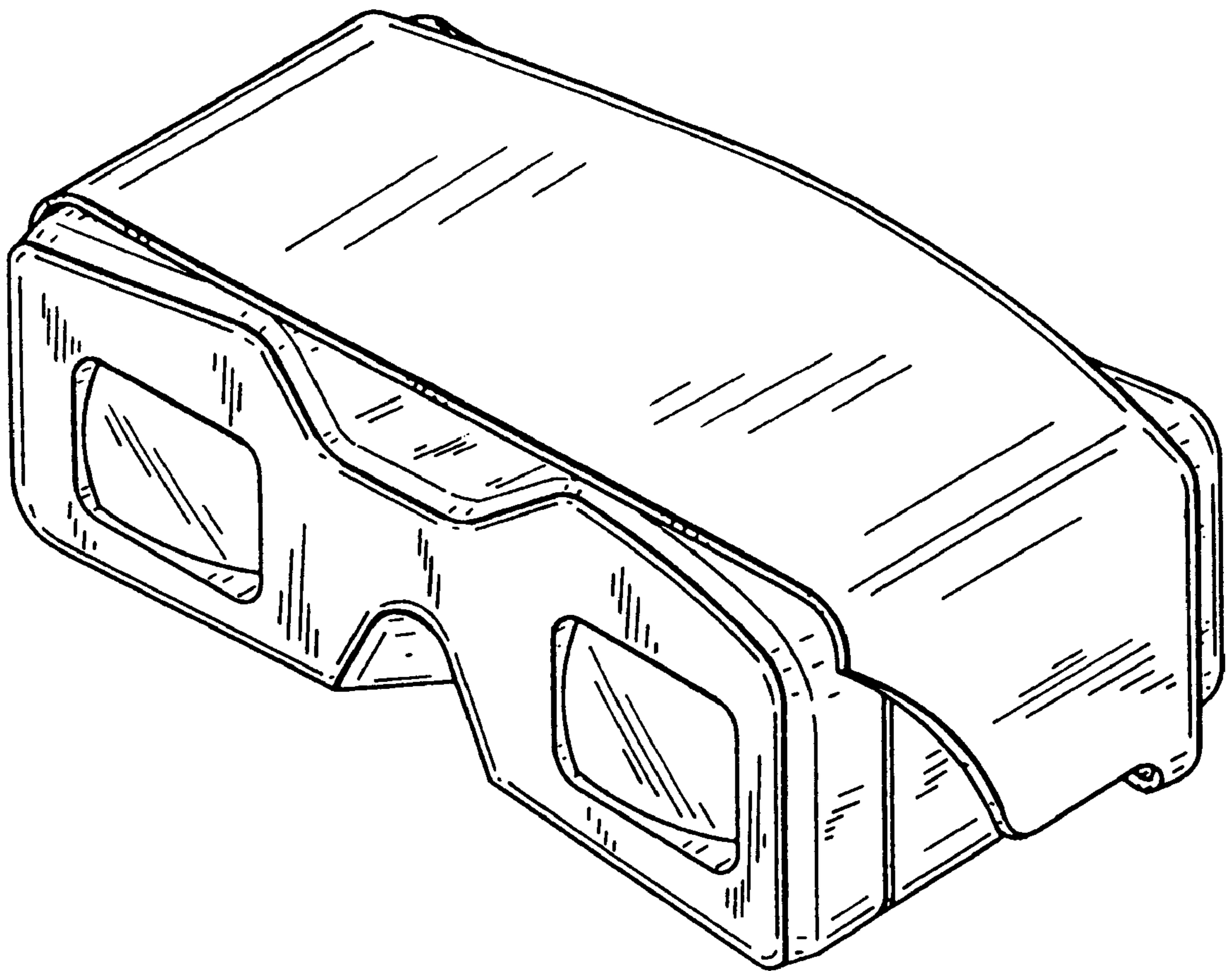


FIG. 9

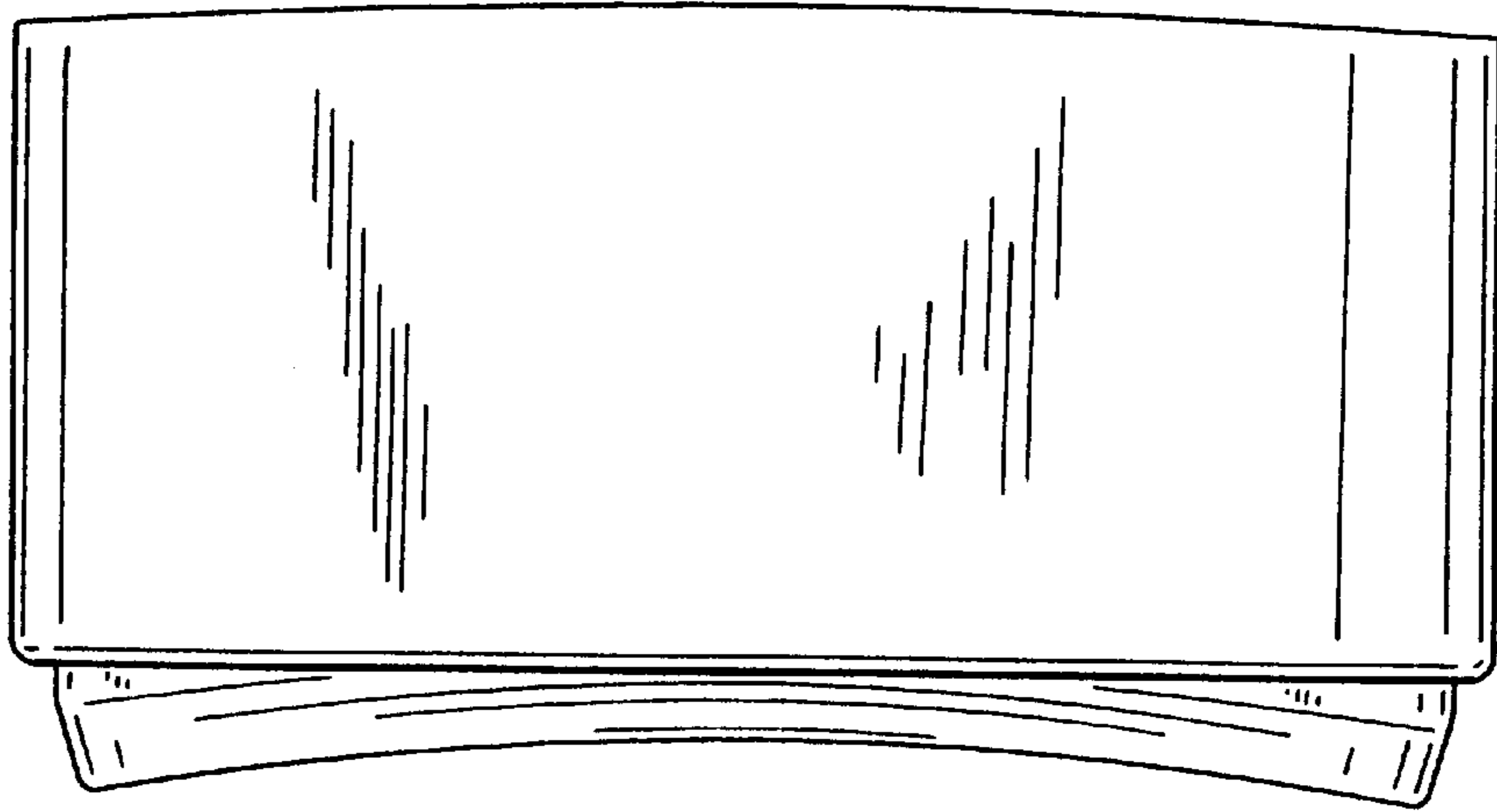


FIG. 8

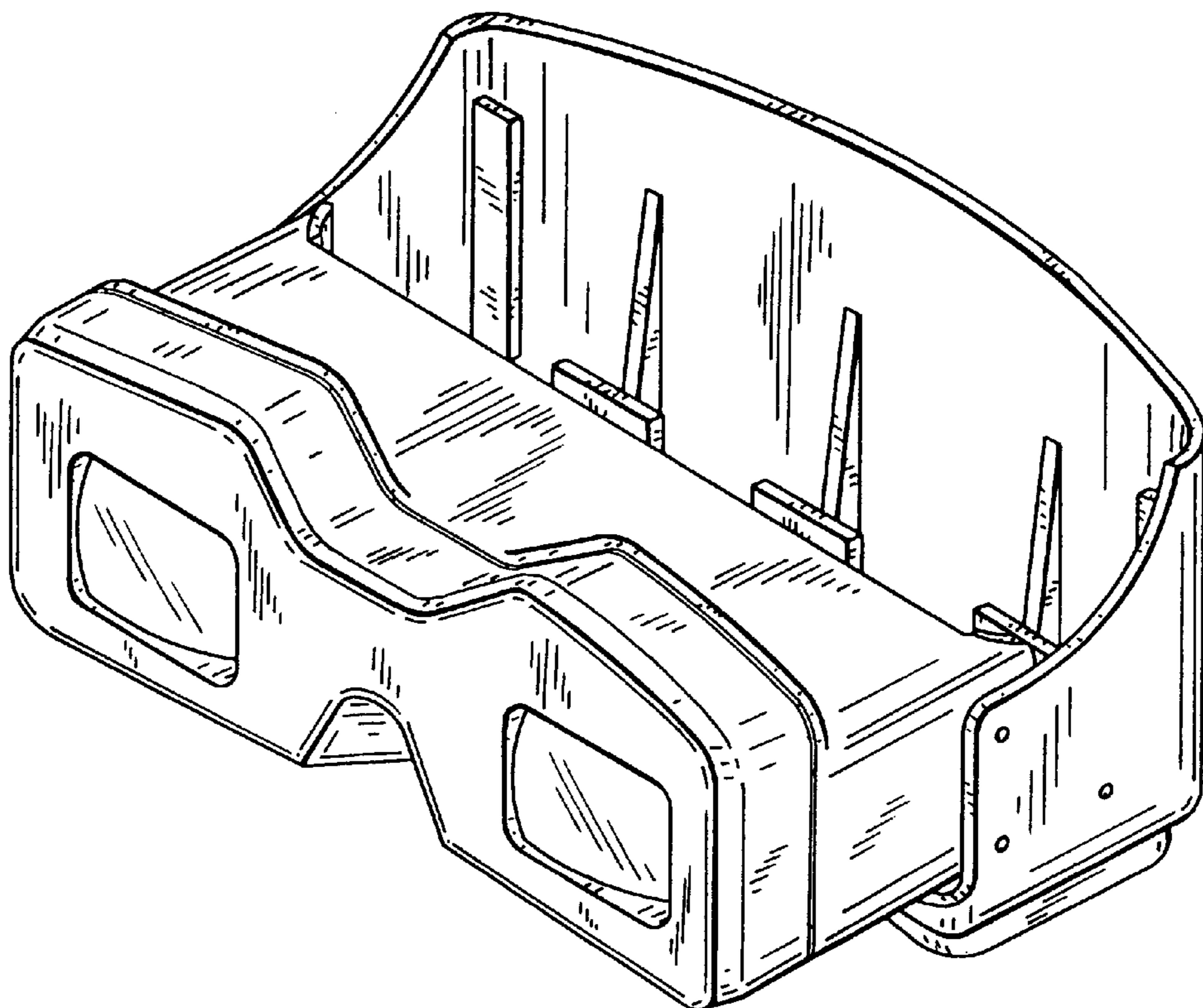


FIG. 10

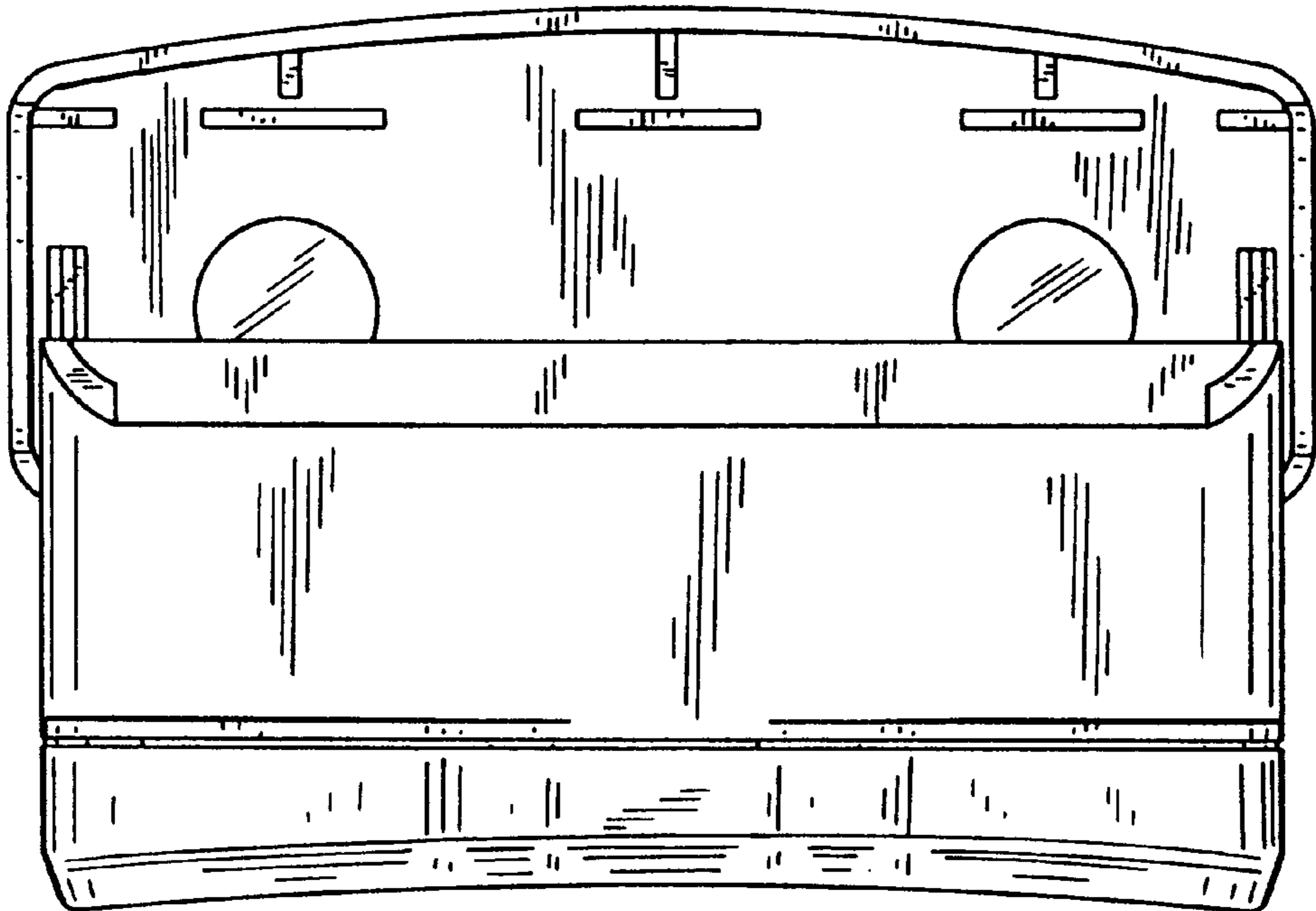


FIG. 11

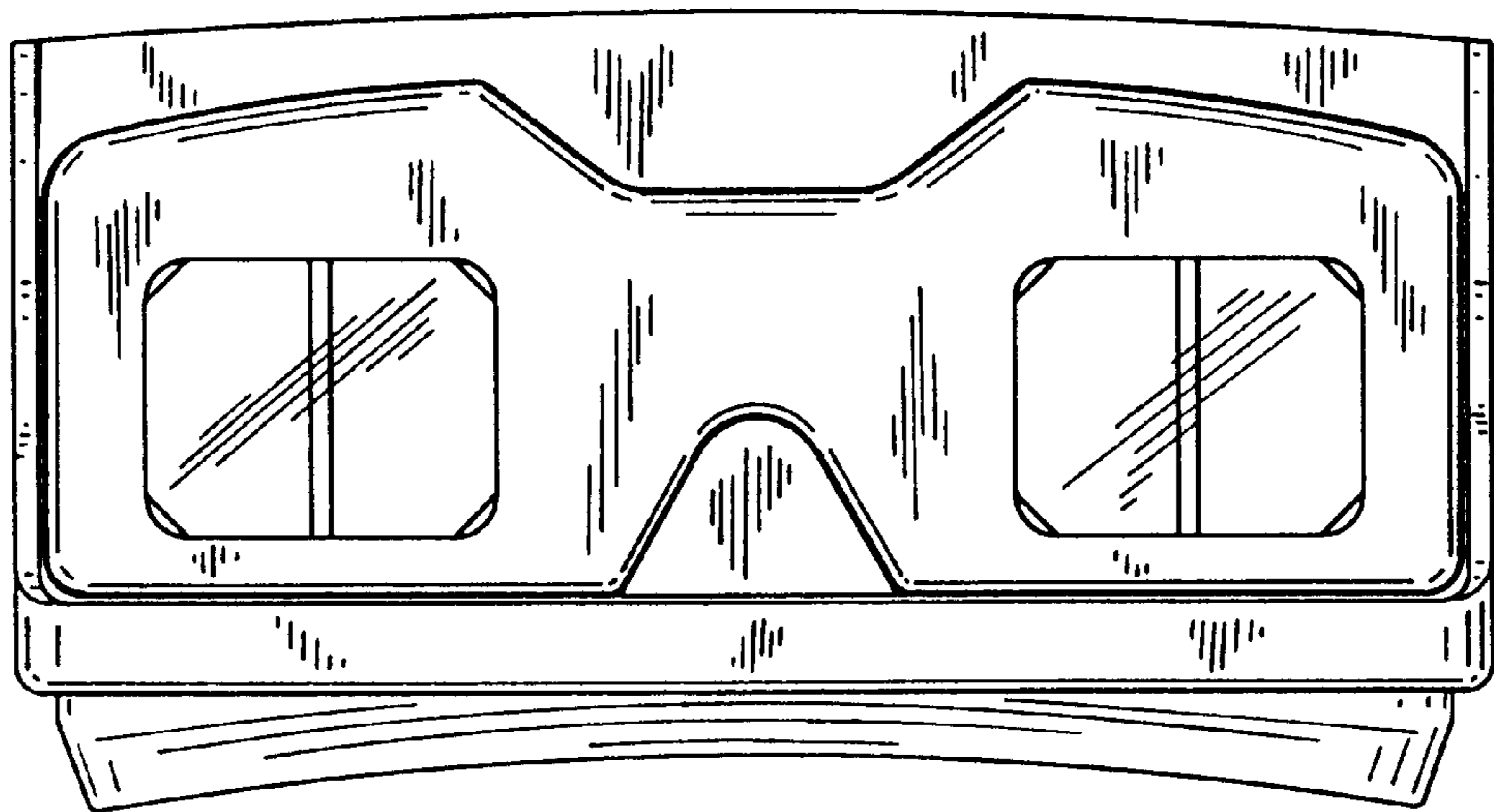


FIG. 12

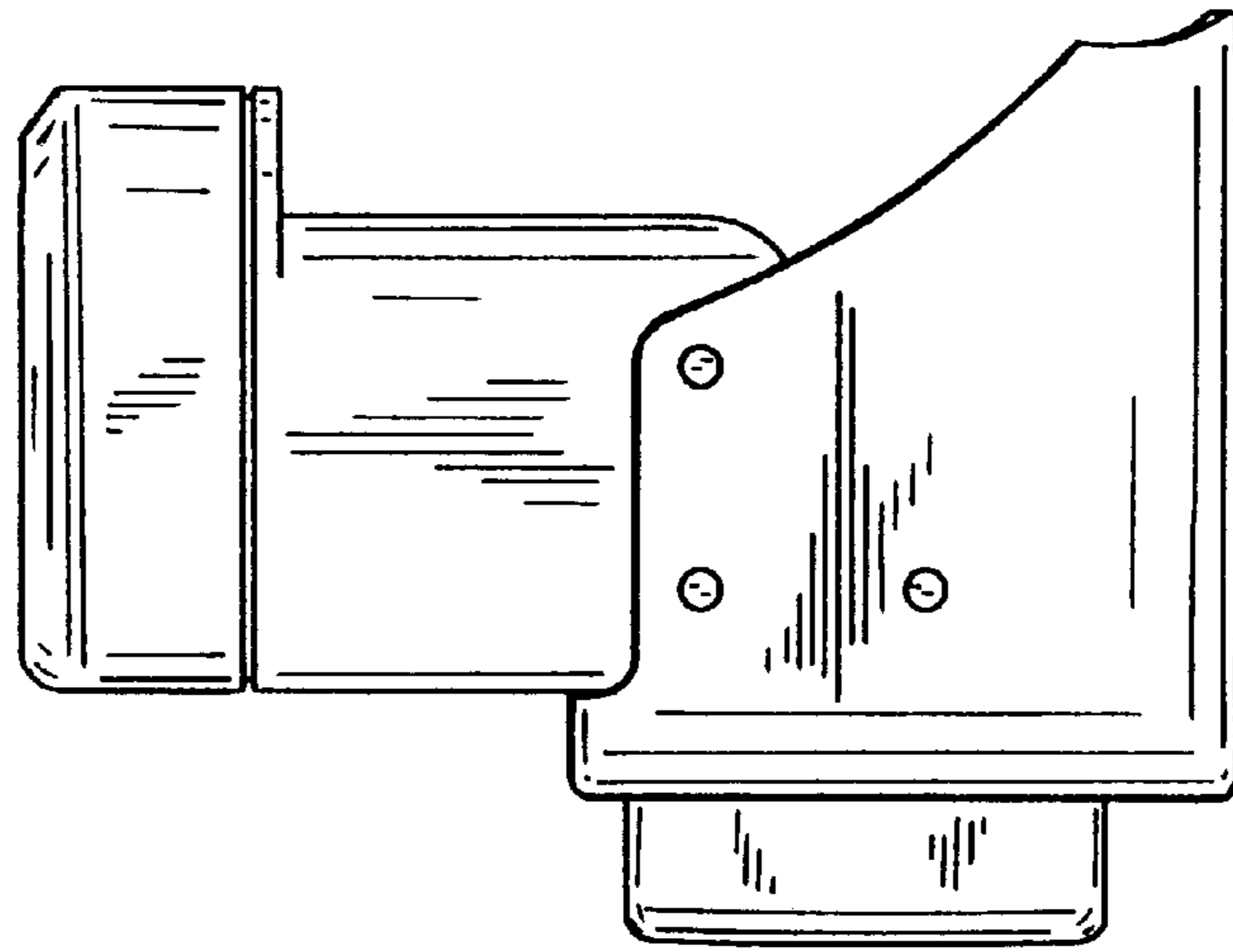


FIG. 13

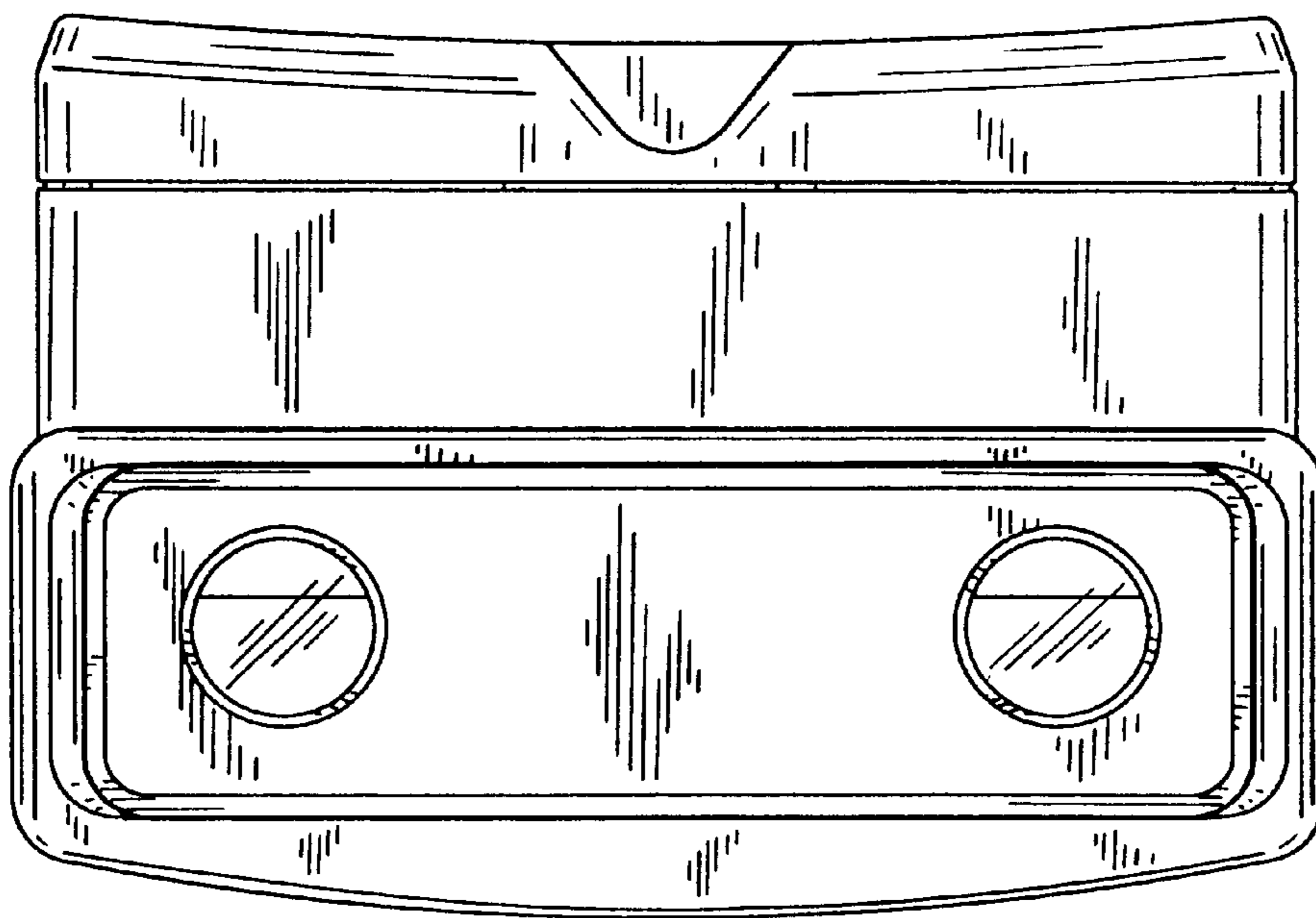




FIG. 14

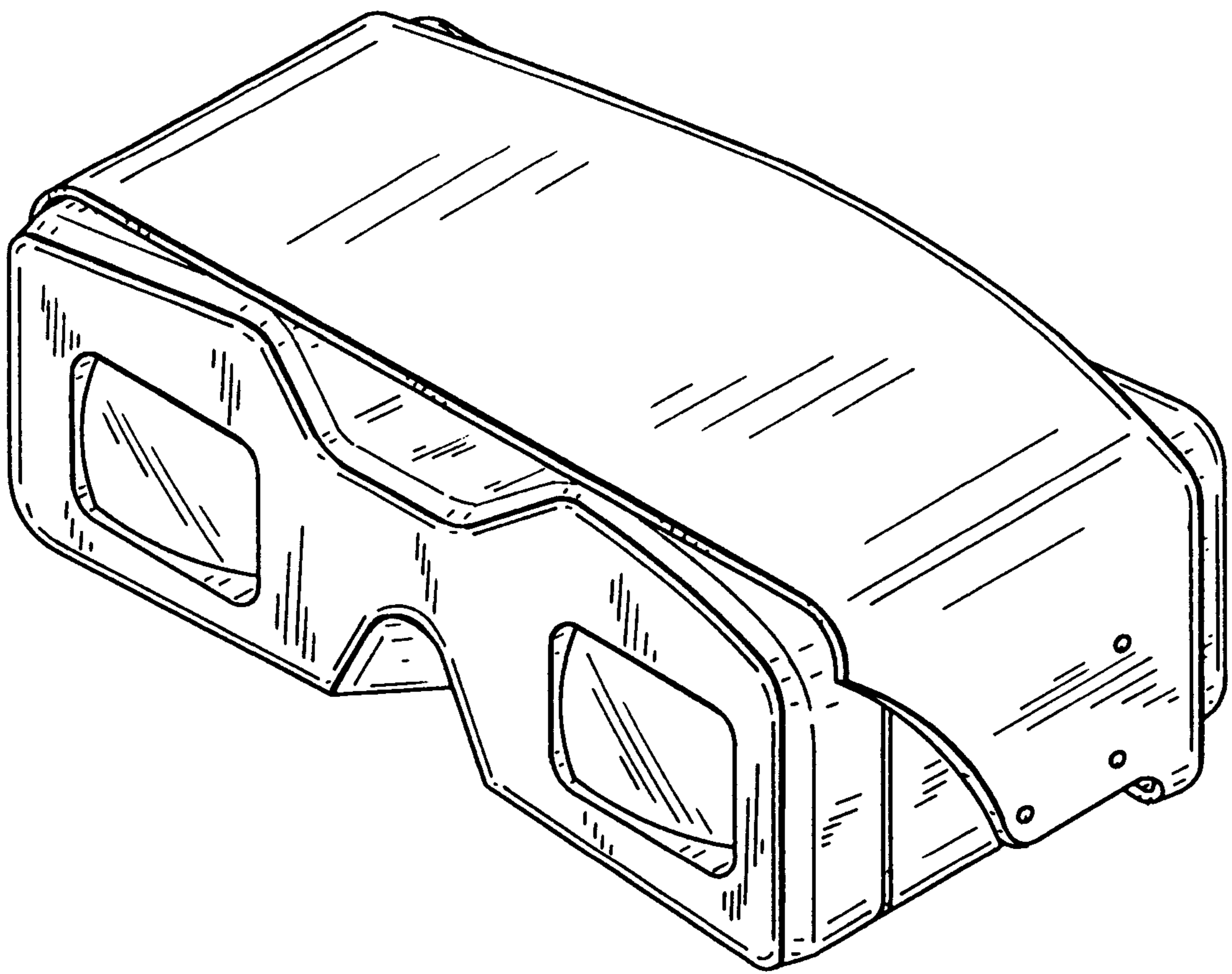


FIG. 15

