



US00D409635S

United States Patent [19]

Ahuja et al.

[11] Patent Number: Des. 409,635

[45] Date of Patent: ** May 11, 1999

[54] LID SEALING DEVICE

[76] Inventors: **Dinesh Ahuja**, 2434 Austin Dr.,
Springfield, Ill. 62704; **W. Allan
Shears**, 411 S. Third St., Divernon, Ill.
62530

[**] Term: **14 Years**

[21] Appl. No.: **29/084,515**

[22] Filed: **Mar. 4, 1998**

[51] LOC (6) Cl. **15-09**

[52] U.S. Cl. **D15/145**

[58] Field of Search D15/145, 146;
58/289, 319, 300, 478, 486, 485; 156/69,
498, 567, 583.1, 583.5, 583.91

[56] **References Cited**

U.S. PATENT DOCUMENTS

Re. 30,956 6/1982 Schulze 156/583.1 X
D. 201,391 6/1965 Hollerith, Jr. D15/145

Primary Examiner—Antoine Duval Davis
Attorney, Agent, or Firm—Howell & Haferkamp, LC

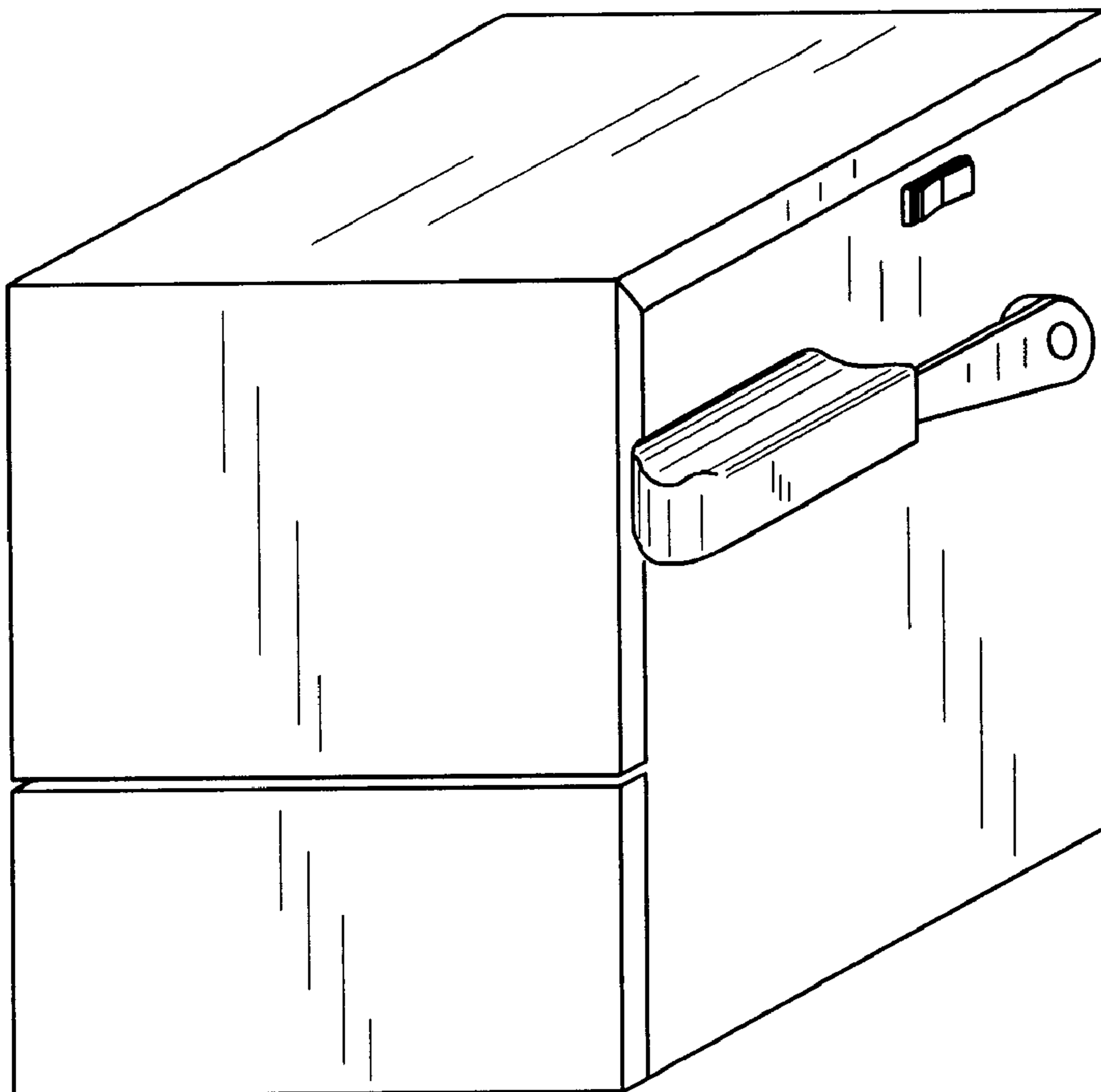
[57] **CLAIM**

The ornamental design for a lid sealing device, as shown and described.

DESCRIPTION

FIG. 1 is a perspective view of a lid sealing device according to our design;
FIG. 2 is a front elevation view thereof;
FIG. 3 is a rear elevation view thereof;
FIG. 4 is a left side elevation view thereof;
FIG. 5 is a right side elevation view thereof;
FIG. 6 is a top plan view thereof;
FIG. 7 is bottom plan view thereof;
FIG. 8 is a perspective view thereof, with the lid sealing device open;
FIG. 9 is a side elevation view of thereof, with the lid sealing device open;
FIG. 10 is a top plan view thereof, with the lid sealing device open; and,
FIG. 11 is a bottom plan view thereof, with the lid sealing device open.
The broken line showing is for illustrative purposes only and forms no part of the claimed design.

1 Claim, 3 Drawing Sheets



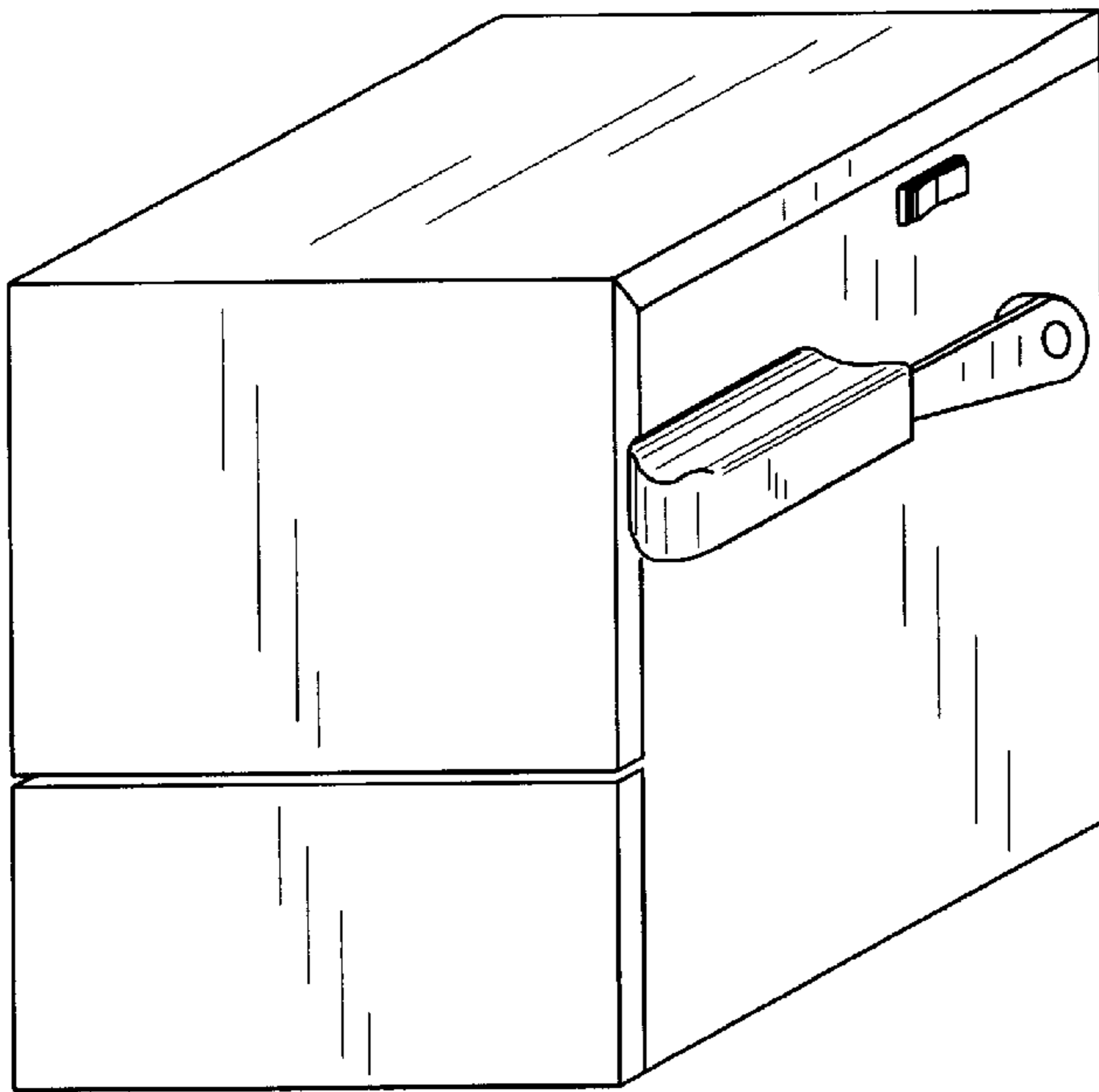


FIG. 1

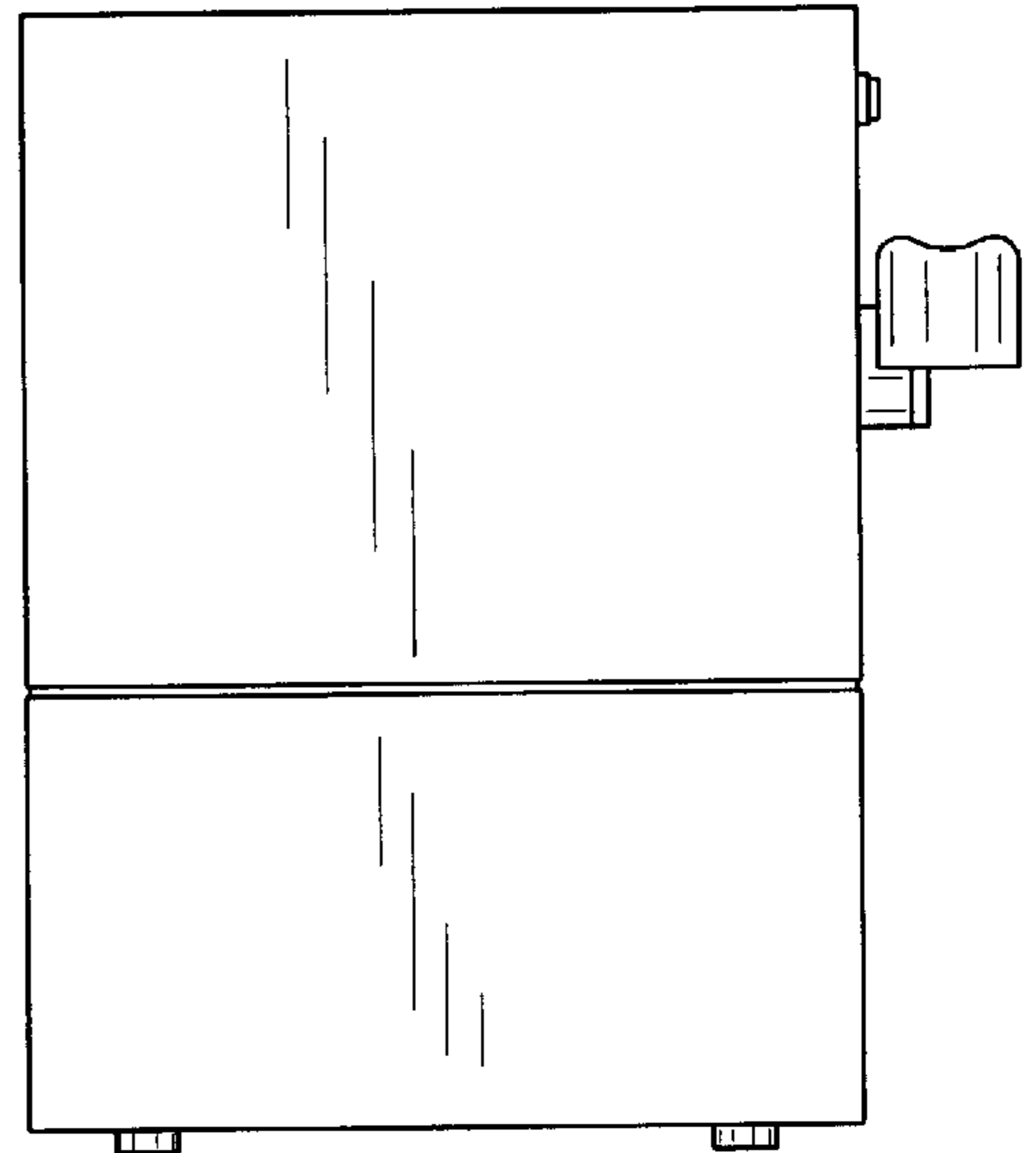


FIG. 2

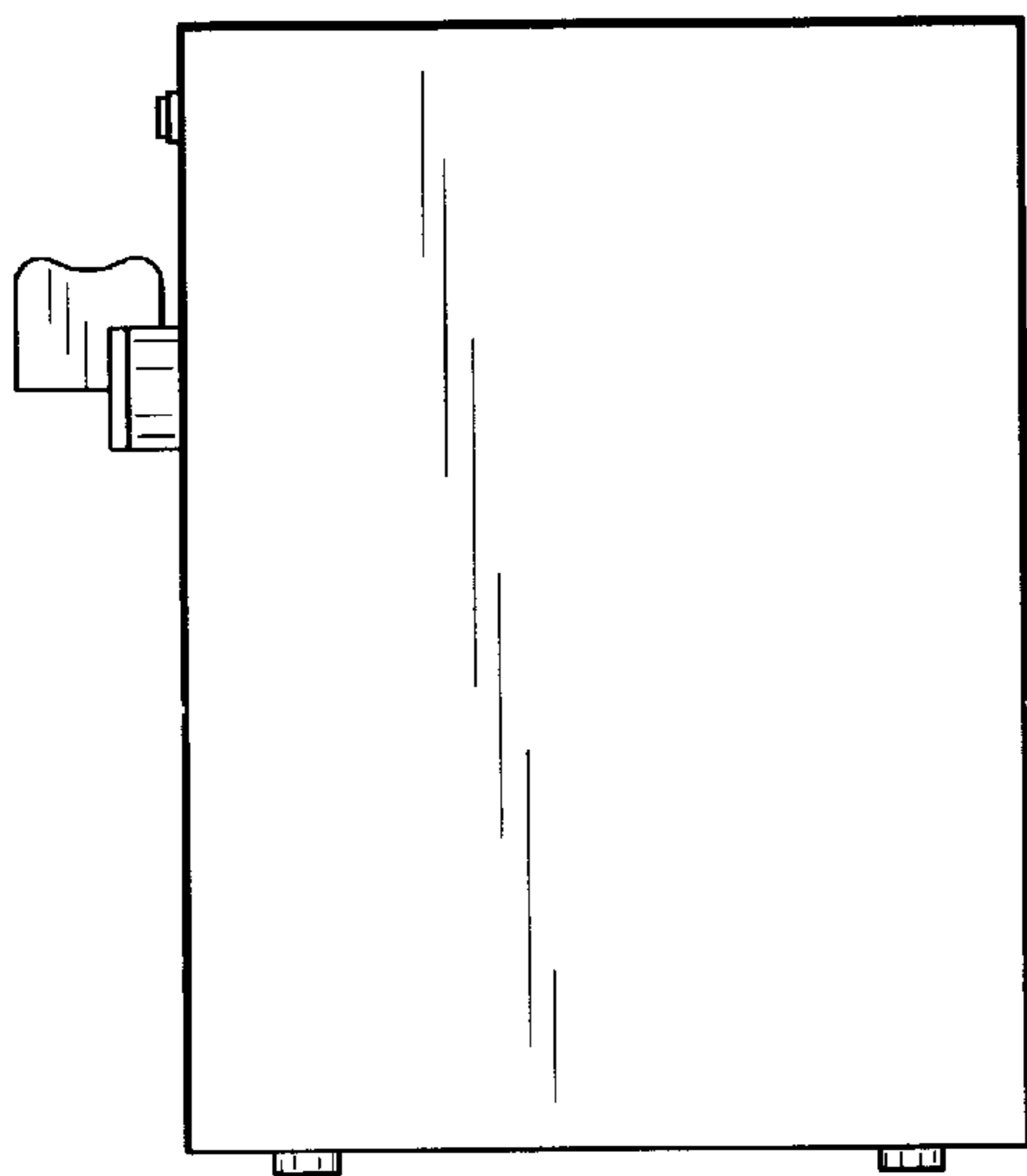


FIG. 3

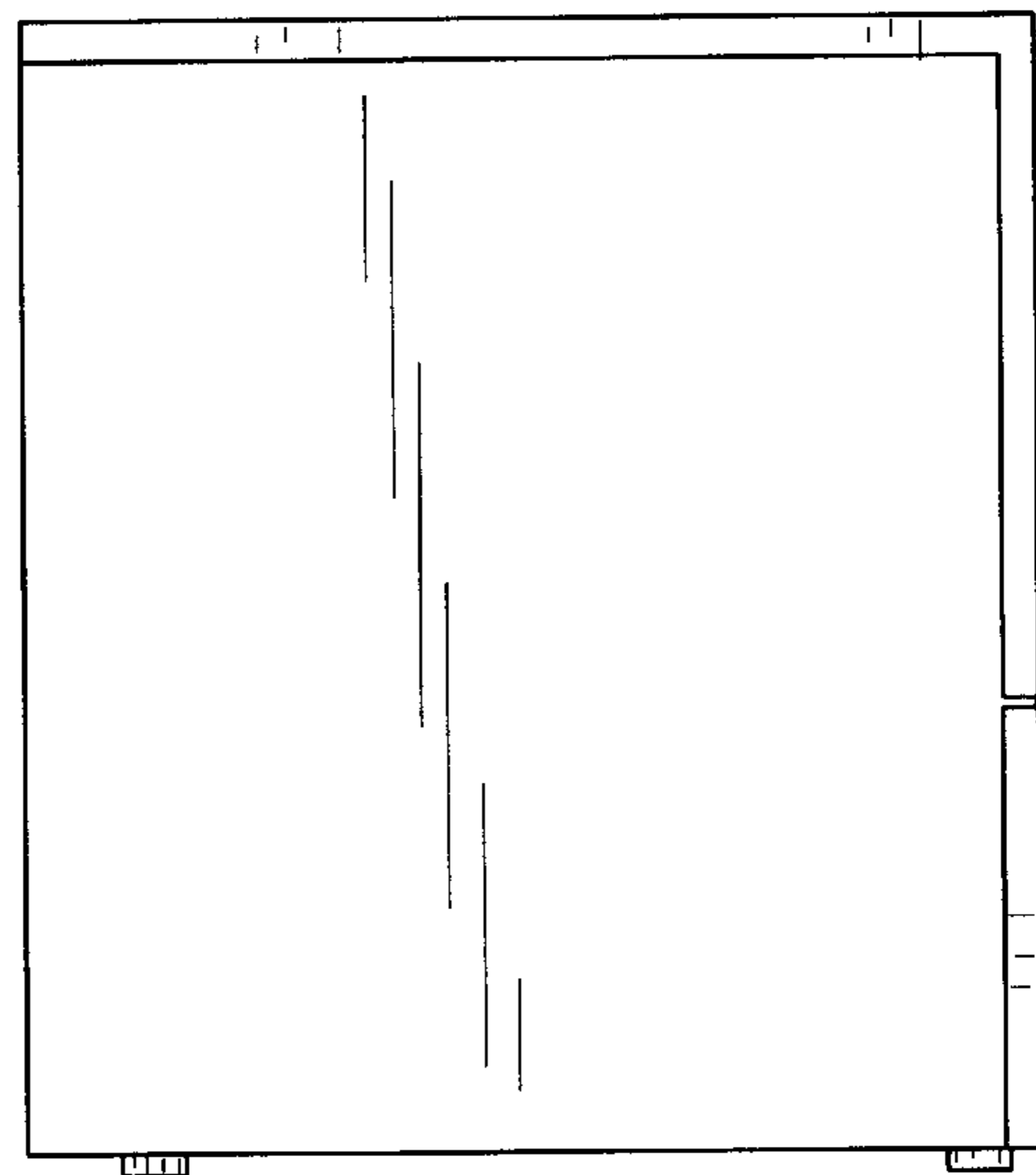


FIG. 4

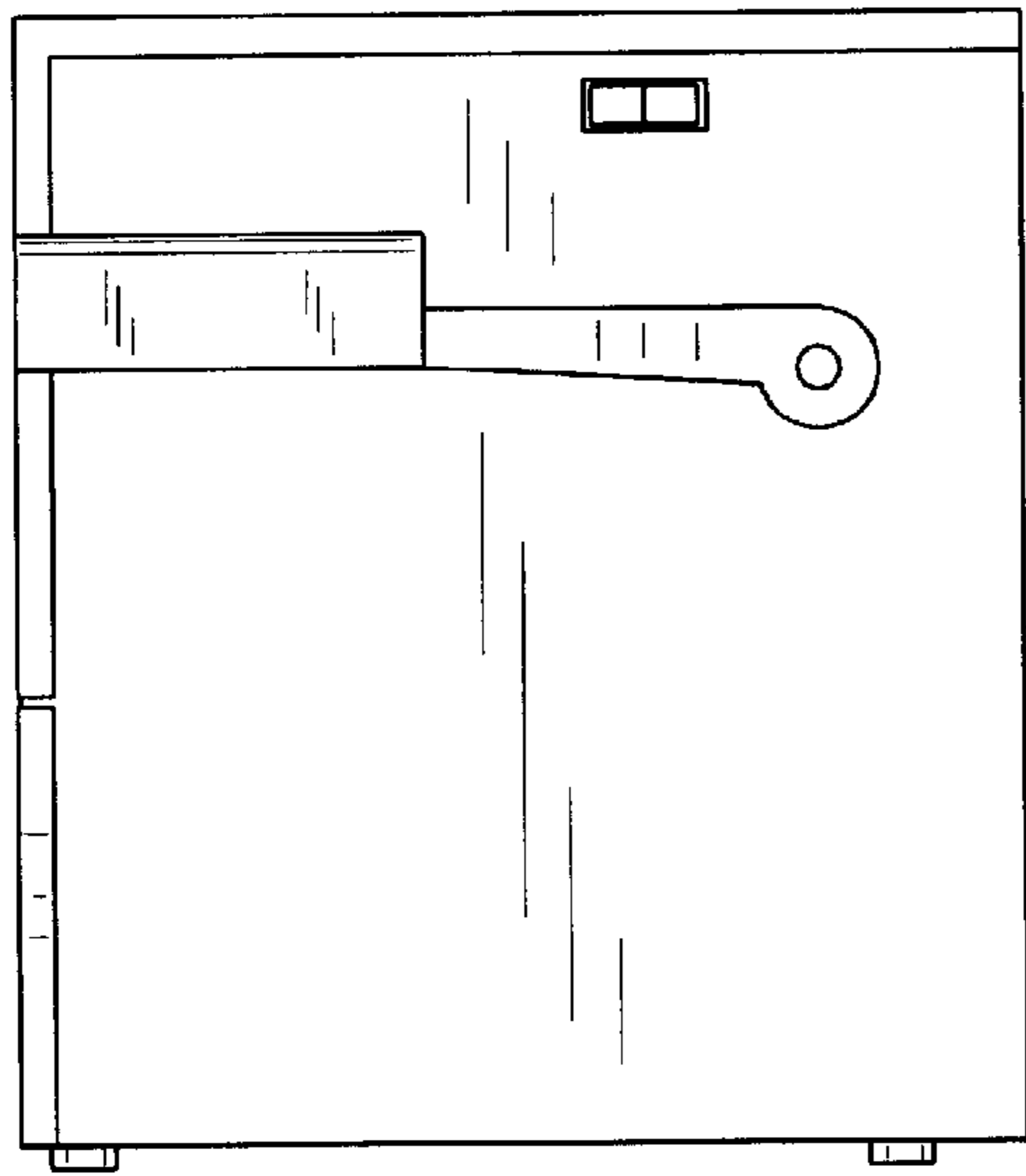


FIG. 5

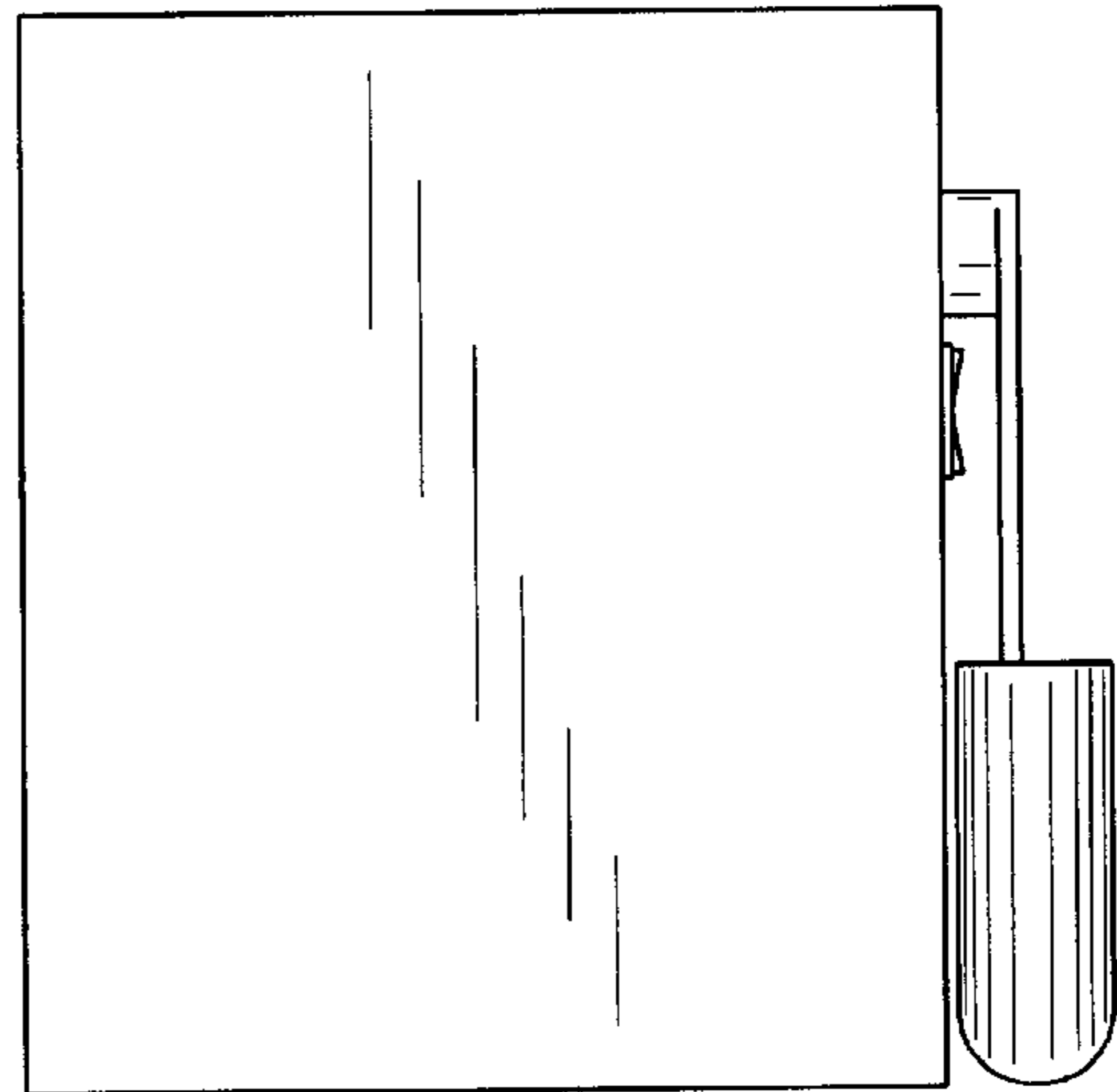


FIG. 6

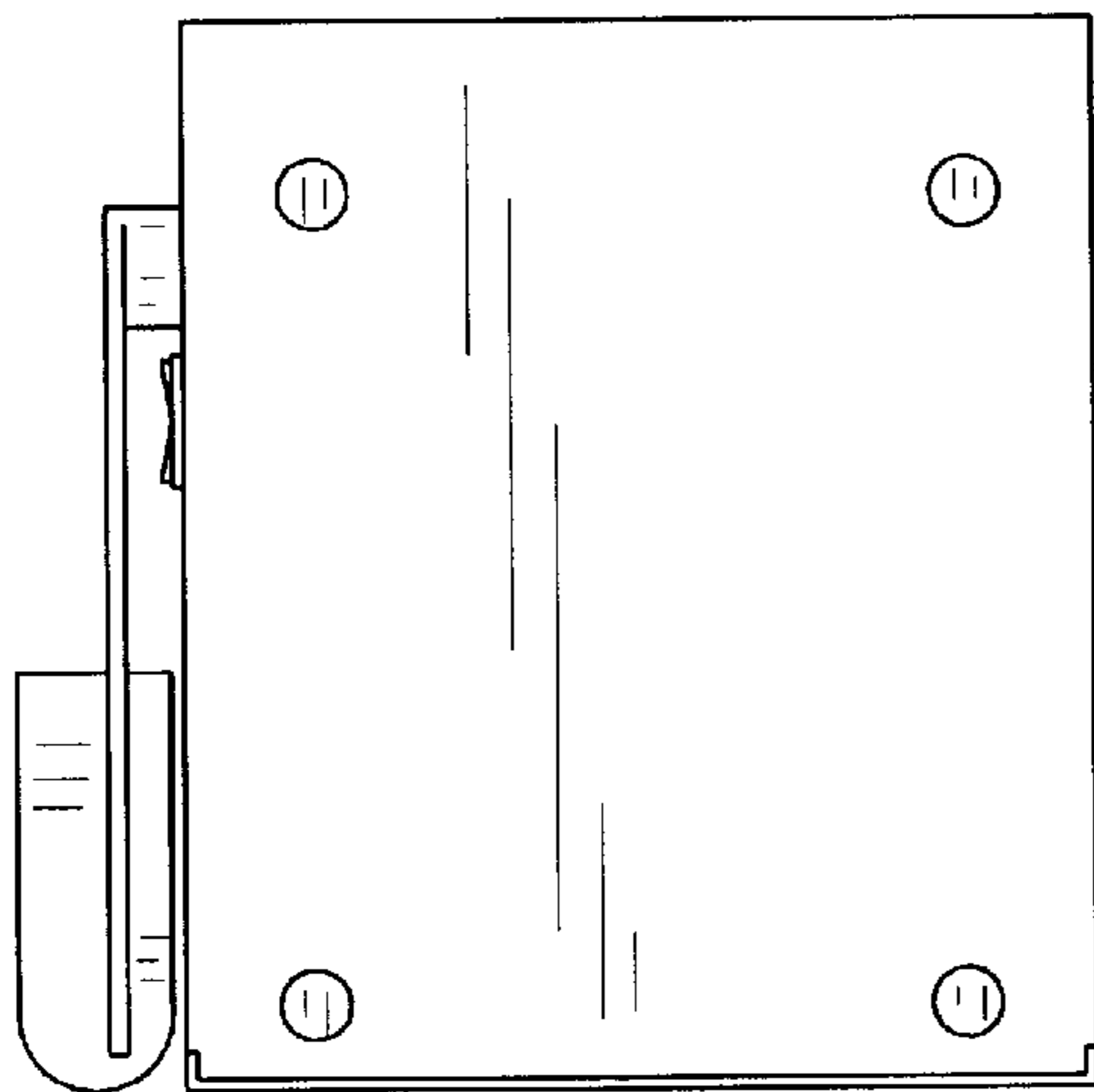


FIG. 7

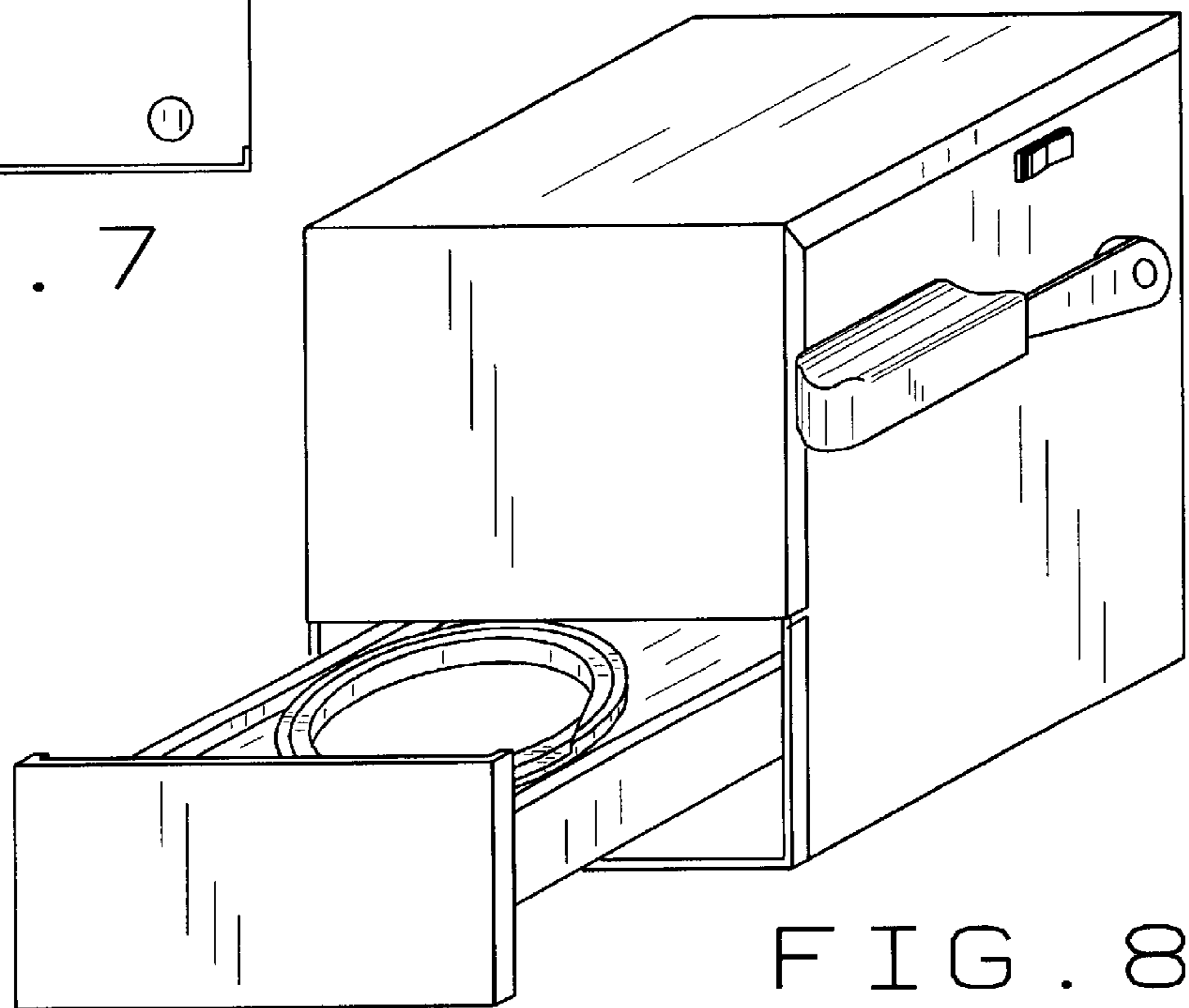


FIG. 8

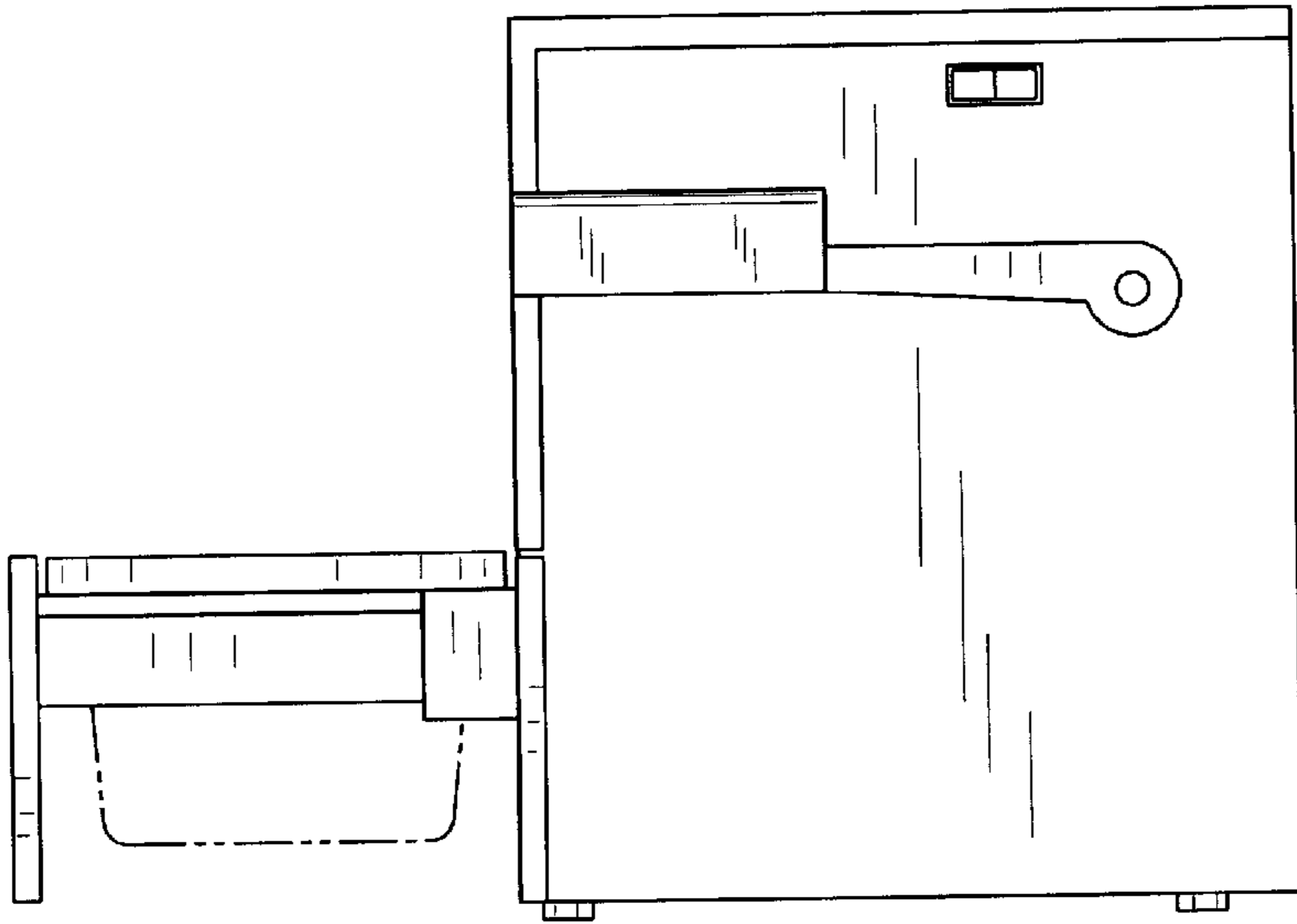


FIG. 9

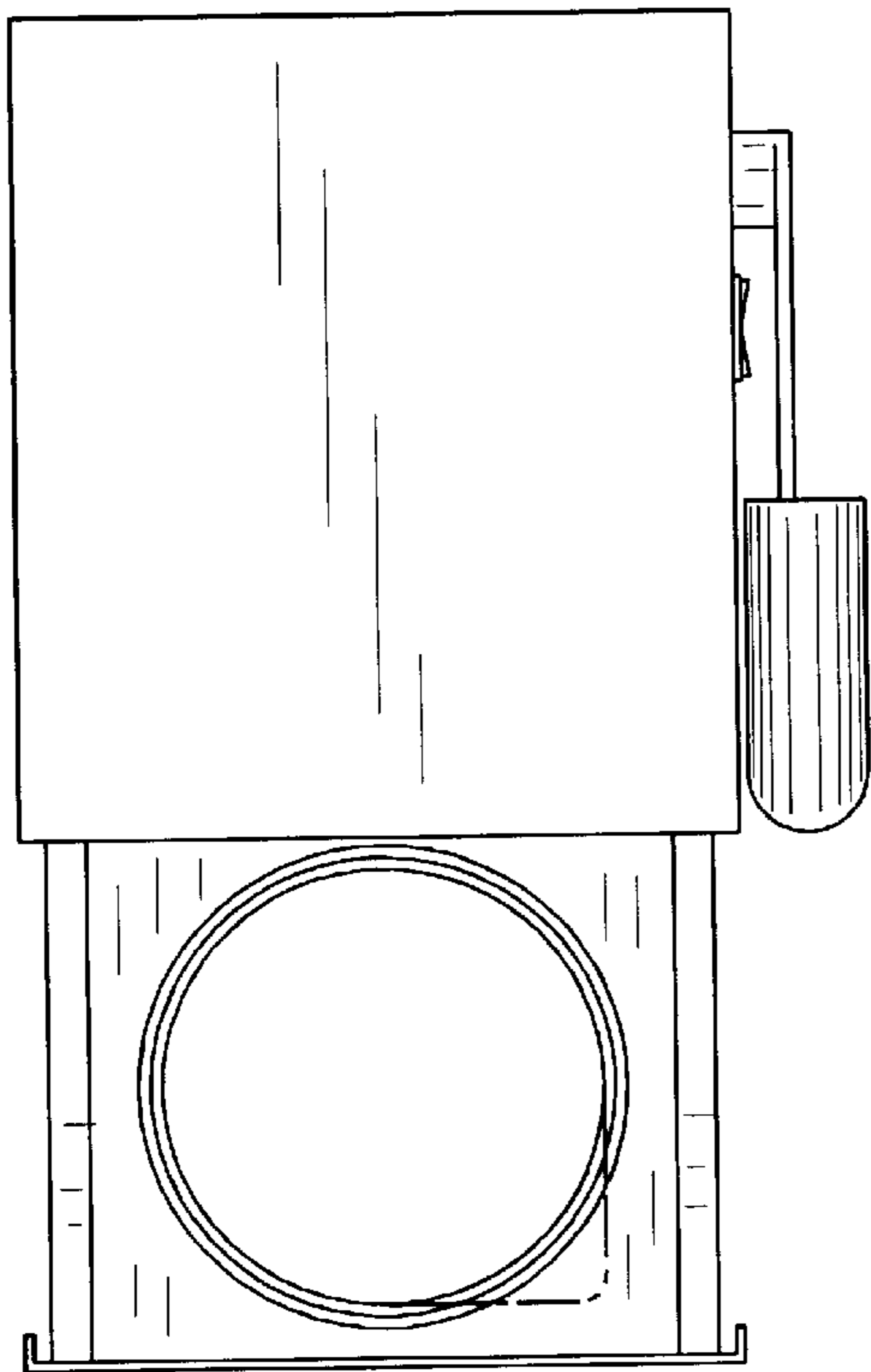


FIG. 10

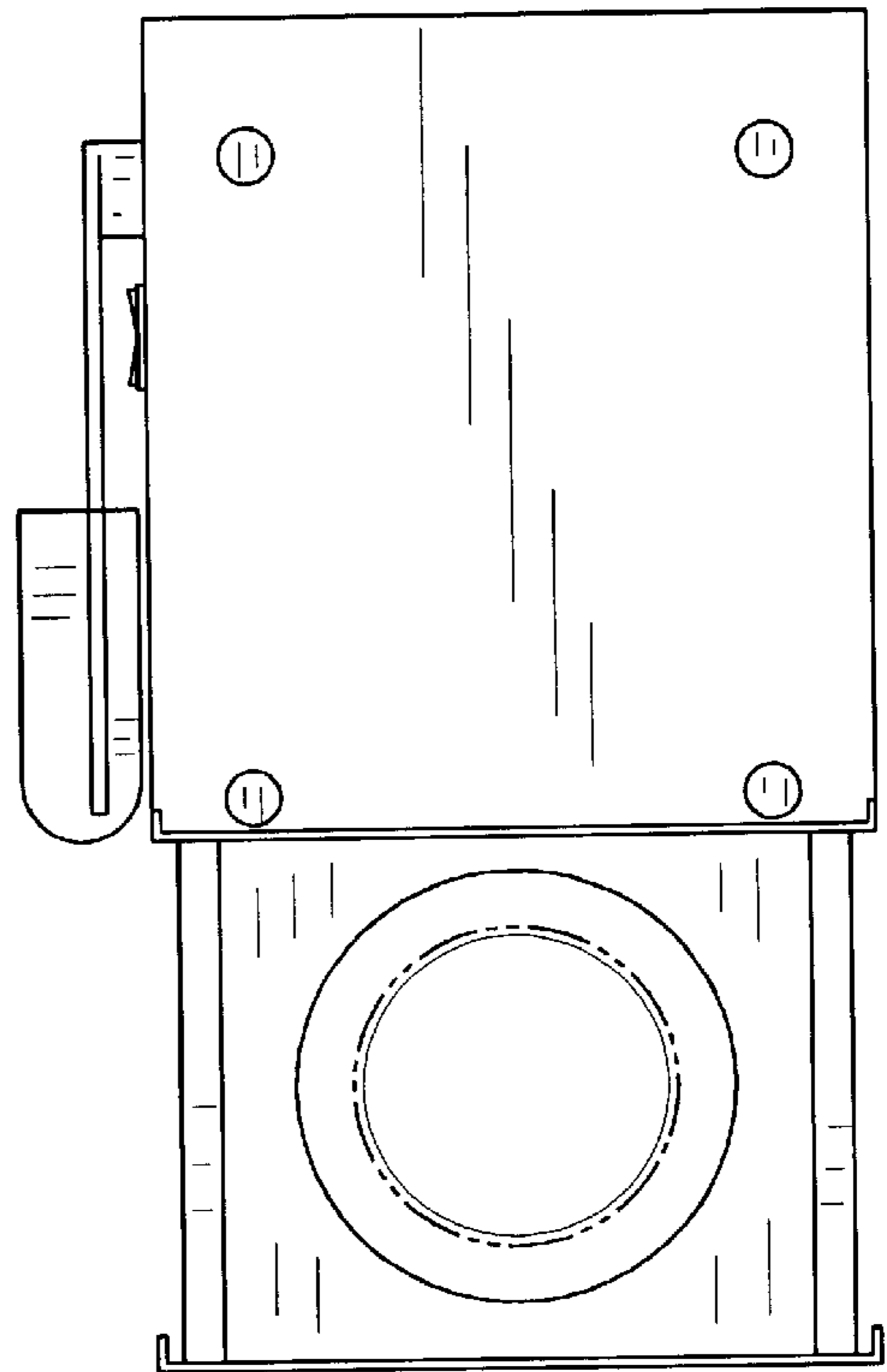


FIG. 11