



US00D409631S

**United States Patent** [19]  
**Eriksson**

[11] **Patent Number: Des. 409,631**

[45] **Date of Patent: \*\* May 11, 1999**

[54] **BARKING TOOL**

[75] Inventor: **Bror Eriksson**, Njutånger, Sweden

[73] Assignee: **Iggesund Tools AB**, Iggesund, Sweden

[\*\*] Term: **14 Years**

[21] Appl. No.: **29/083,876**

[22] Filed: **Feb. 19, 1998**

[30] **Foreign Application Priority Data**

Sep. 4, 1997 [SE] Sweden ..... 971964

[51] **LOC (6) Cl.** ..... **15-09**

[52] **U.S. Cl.** ..... **D15/139**

[58] **Field of Search** ..... D15/139, 138;  
144/208.8, 208 E

[56] **References Cited**

**U.S. PATENT DOCUMENTS**

D. 331,931 12/1992 Eriksson ..... D15/139

D. 381,029 7/1997 Bartlett ..... D15/139

*Primary Examiner*—Antoine Duval Davis  
*Attorney, Agent, or Firm*—Burns, Doane, Swecker & Mathis, L.L.P.

[57] **CLAIM**

The ornamental design for a barking tool, as shown.

**DESCRIPTION**

FIG. 1 is a top perspective view showing the top surface, the left side and the front of the exchangeable barking tool according to the new design;

FIG. 2 is a bottom perspective view showing the bottom surface, the right side and the back of the design;

FIG. 3 is an elevational view of the right side of the design;

FIG. 4 is an elevational view of the front of the design;

FIG. 5 is a plan view of the top surface of the design;

FIG. 6 is an elevational view of the back of the design;

FIG. 7 is a plan view of the bottom surface of the design; and,

FIG. 8 is an elevational view of the left side of the design.

**1 Claim, 1 Drawing Sheet**

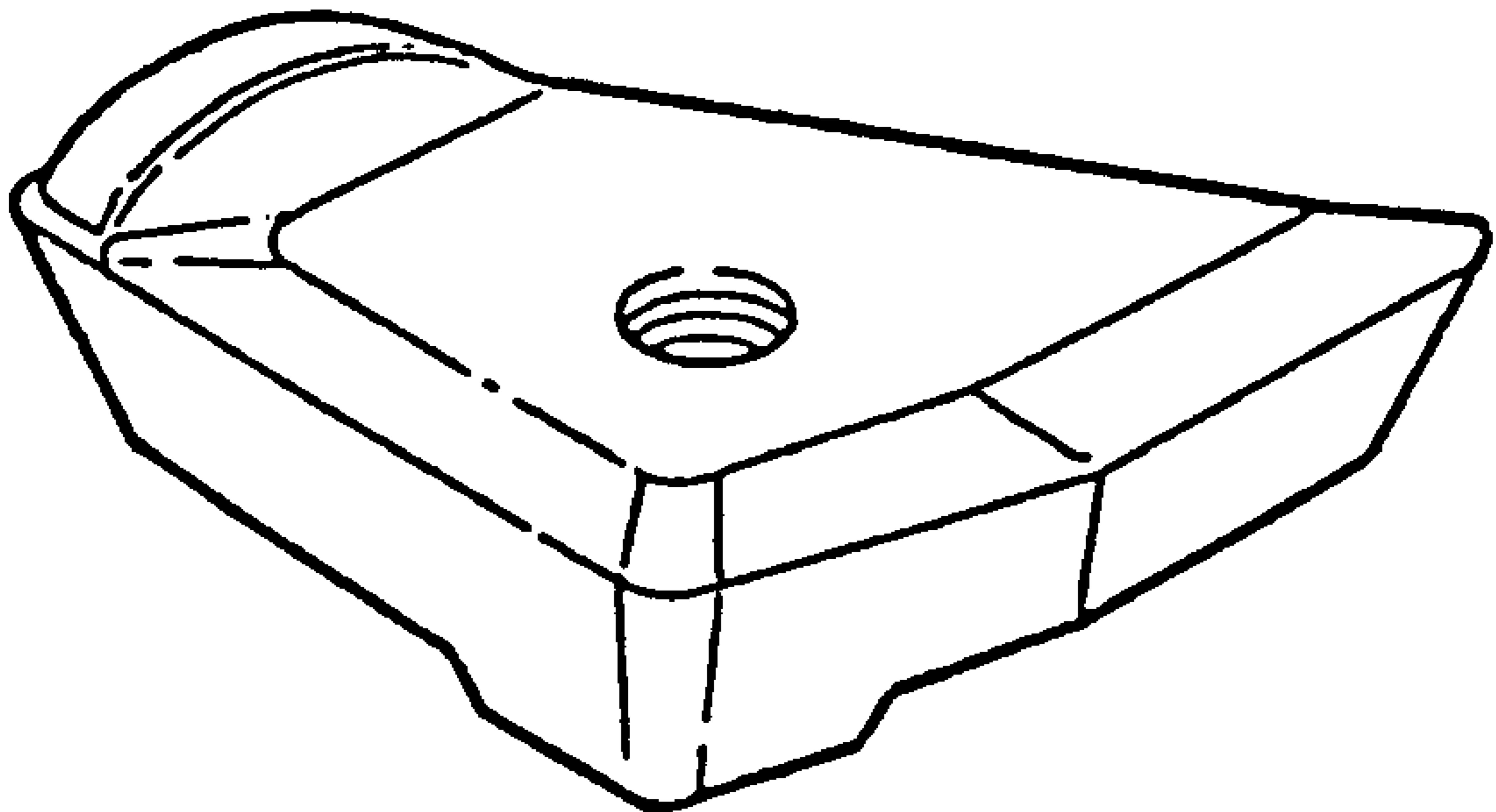


FIG.1

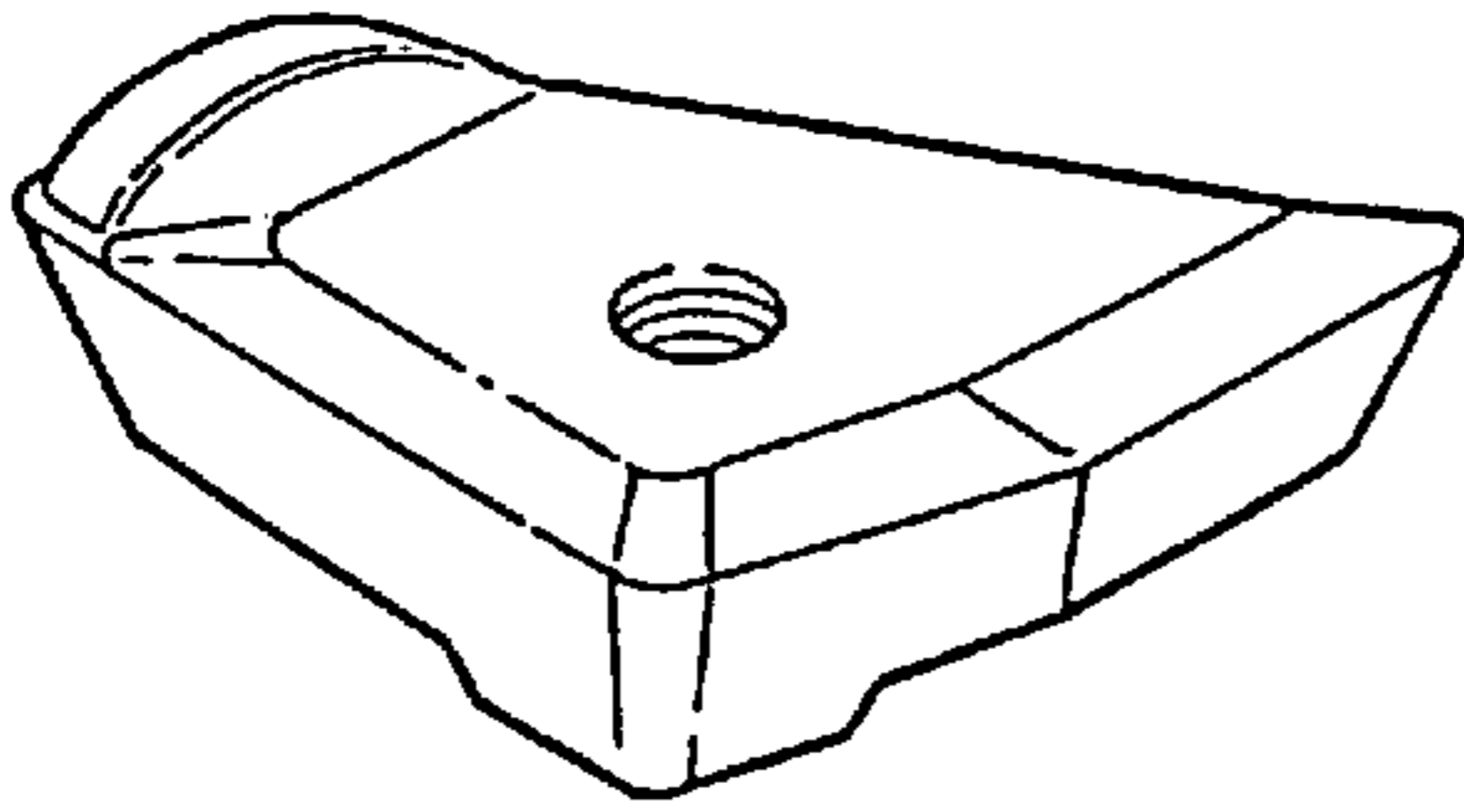


FIG.2

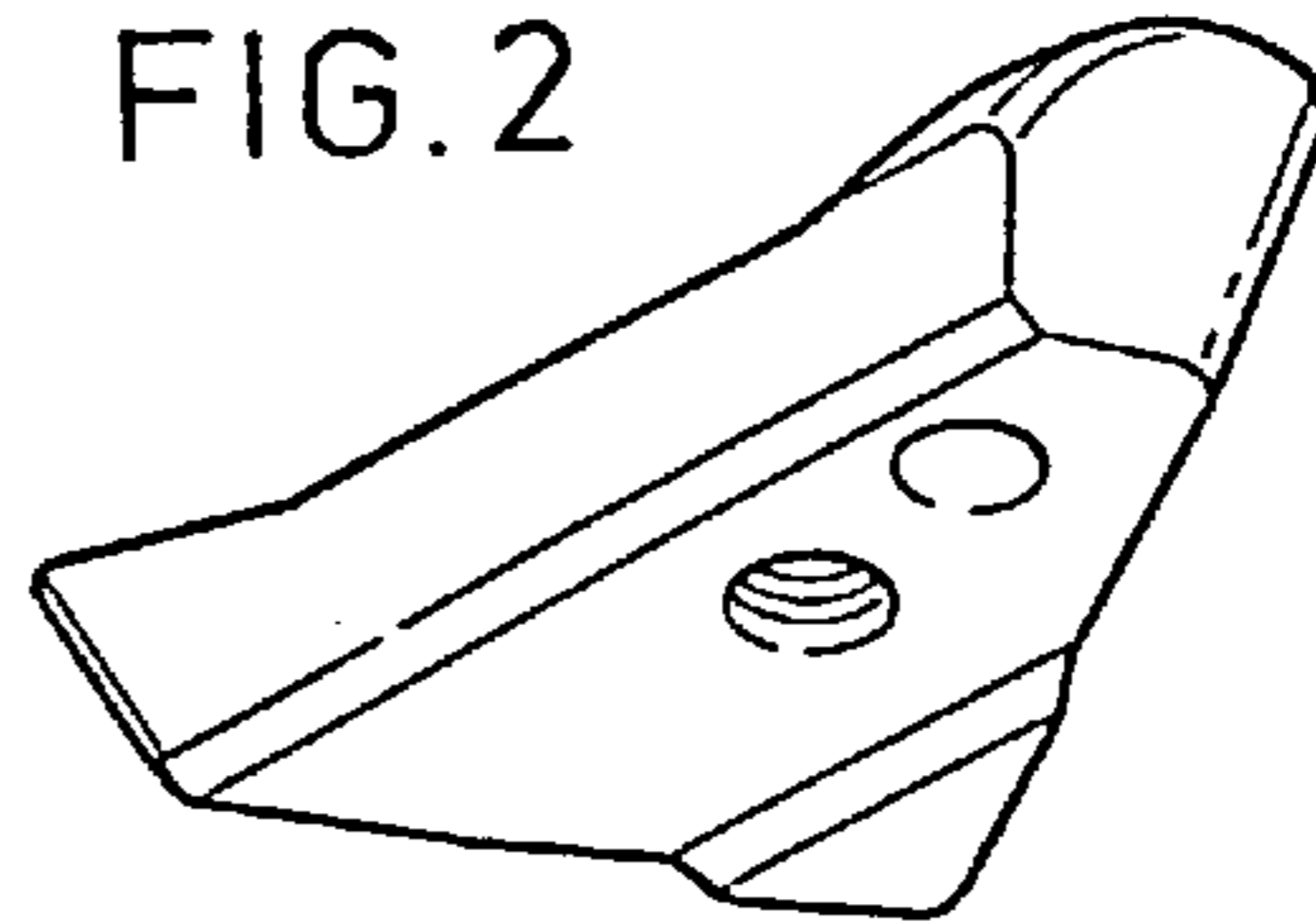


FIG.3

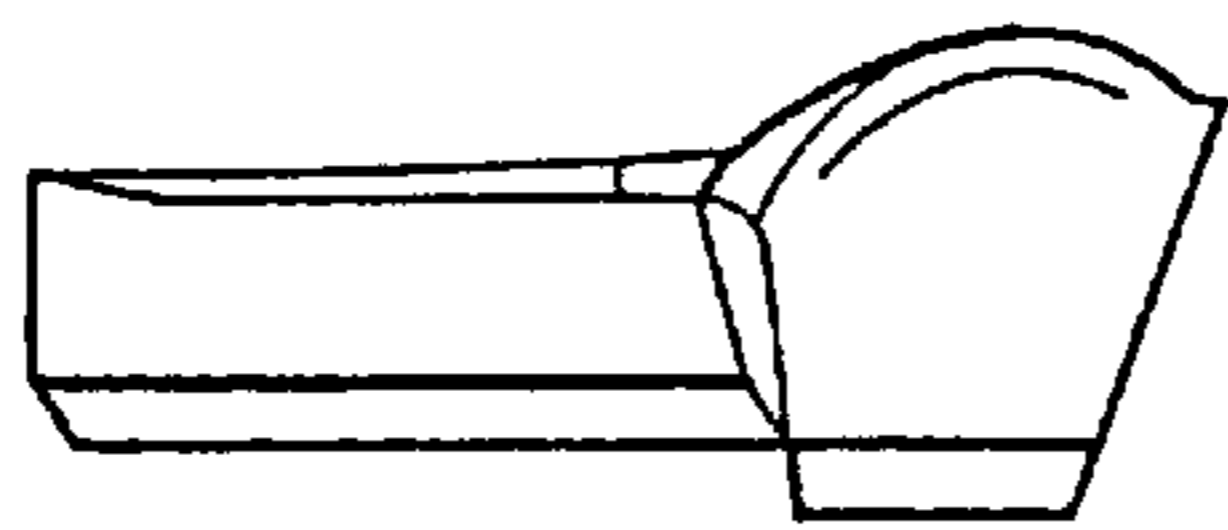


FIG.4

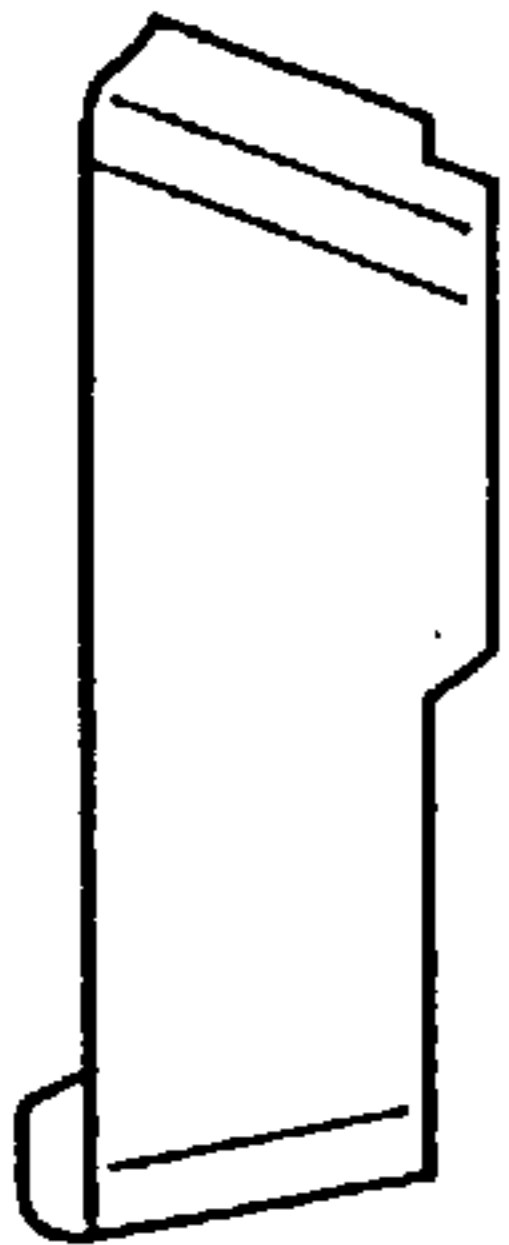


FIG.5

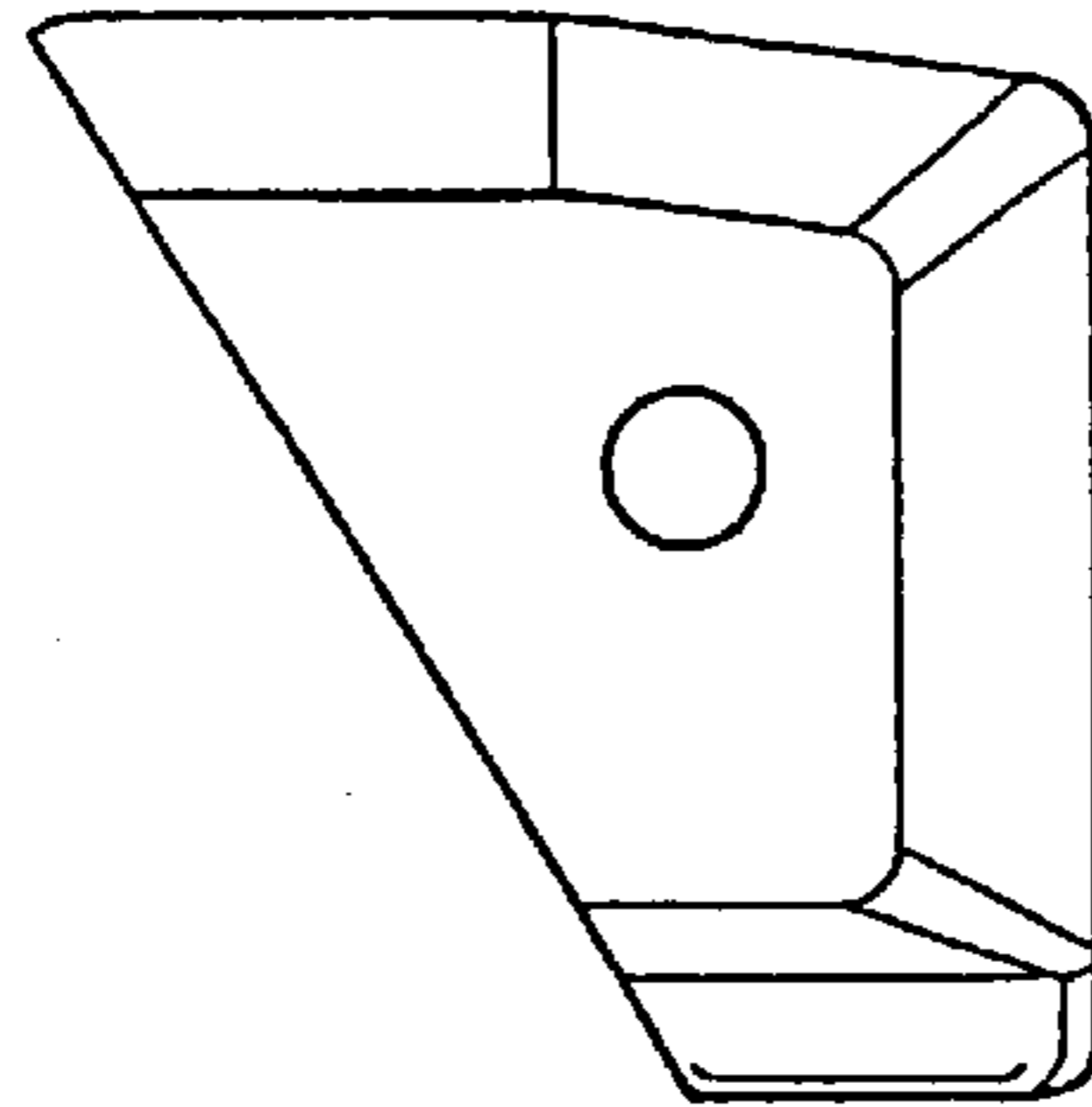


FIG.6

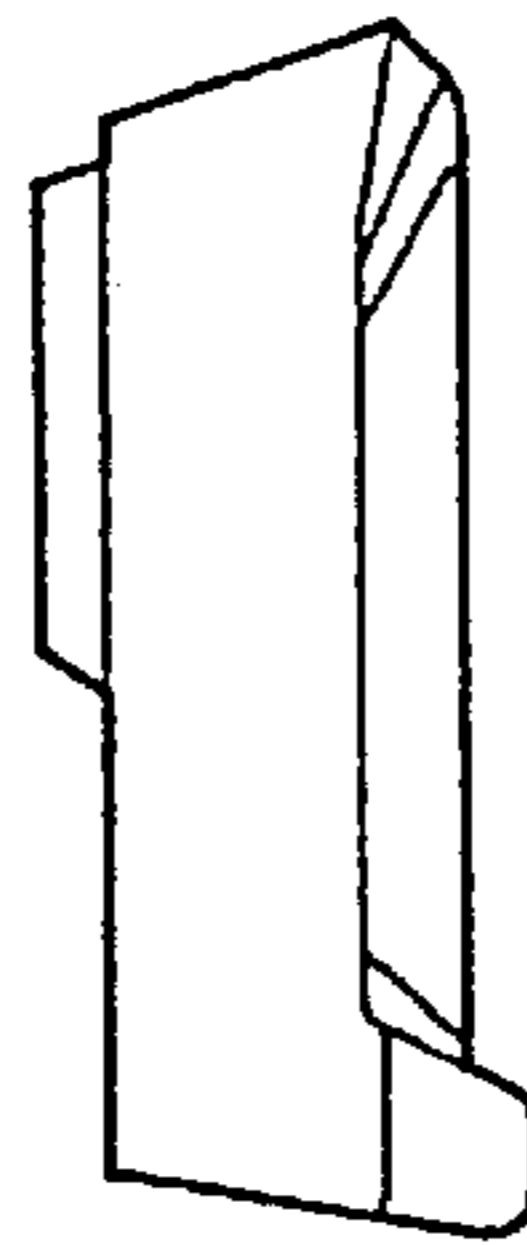


FIG.7

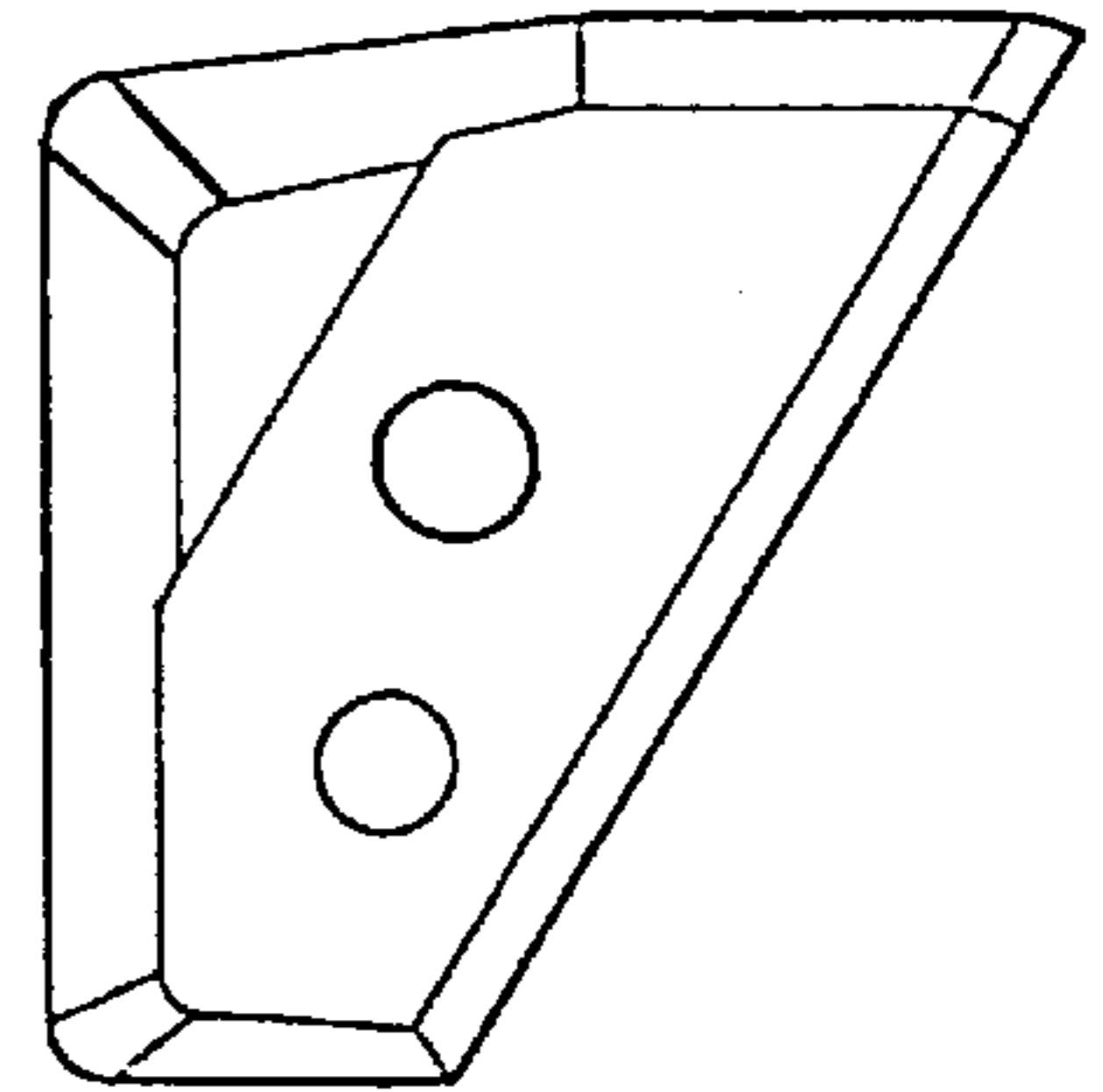


FIG.8

