



US00D409622S

United States Patent [19]

Inoue

[11] Patent Number: **Des. 409,622**

[45] Date of Patent: **** *May 11, 1999**

[54] **PARABOLIC ANTENNA**

[75] Inventor: **Shigemi Inoue**, Kobe, Japan

[73] Assignee: **DX Antenna Company, Limited**,
Kobe, Japan

[*] Notice: This patent is subject to a terminal disclaimer.

[**] Term: **14 Years**

[21] Appl. No.: **29/066,626**

[22] Filed: **Feb. 20, 1997**

[30] **Foreign Application Priority Data**

Dec. 26, 1996 [JP] Japan 8-39713

[51] **LOC (6) Cl.** **14-03**

[52] **U.S. Cl.** **D14/231**

[58] **Field of Search** D14/147-148,
D14/230-238, 299; 343/700 R, 701-702,
761, 781, 840-841, 850, 857-858, 860,
872-875, 786, 878, 889, 906-908, 888-890,
892, 896, 898-901, 912, 914; 310/160;
248/514

[56] **References Cited**

U.S. PATENT DOCUMENTS

- D. 303,972 10/1989 Uozumi D14/231
- D. 322,254 12/1991 Su D14/231
- D. 329,052 9/1992 Keane et al. D14/231
- D. 362,443 9/1995 Inoue D14/231
- D. 362,444 9/1995 Schneeman D14/231
- D. 380,474 7/1997 Pietrangelo et al. D14/231

- D. 389,155 1/1998 Inoue D14/231
- 2,534,271 12/1950 Kienow D14/231 X
- 4,649,675 3/1987 Moldovan et al. 343/878 X
- 5,554,998 9/1996 Sherwood et al. 343/880 X
- 5,576,722 11/1996 Bustillos 343/880 X

FOREIGN PATENT DOCUMENTS

- 7-29906 6/1995 Japan .
- 7-29913 6/1995 Japan .

OTHER PUBLICATIONS

Inoue—Design Patent Application No. 29/055,114 filed May 29, 1996.

Primary Examiner—Ruth McInroy
Attorney, Agent, or Firm—William H. Murray; Robert E. Rosenthal

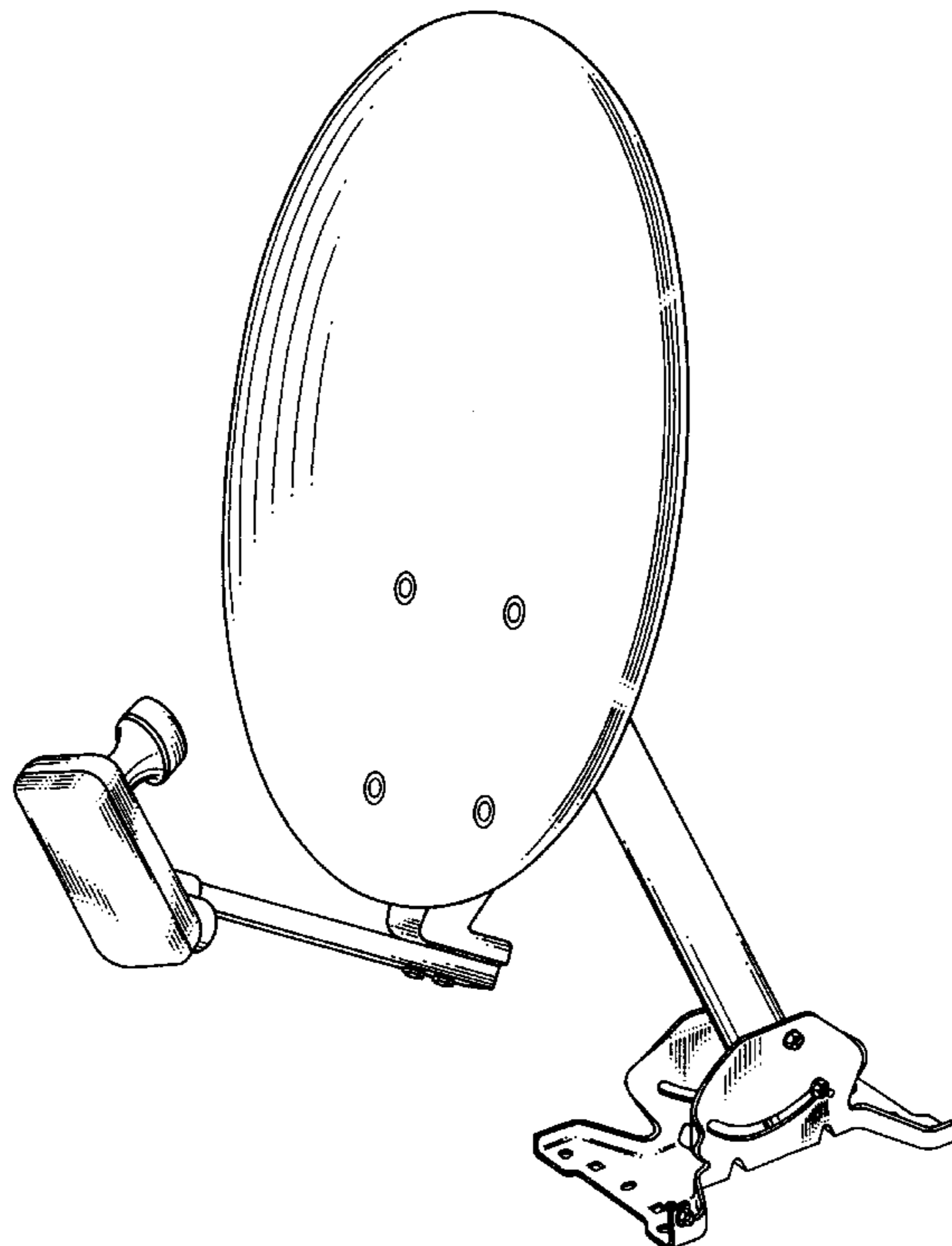
[57] **CLAIM**

The ornamental design for a parabolic antenna, as shown and described.

DESCRIPTION

FIG. 1 is a front and right side perspective view of a parabolic antenna showing my new design; FIG. 2 is a rear and left side perspective view thereof; FIG. 3 is a front elevational view thereof; FIG. 4 is a rear elevational view thereof; FIG. 5 is a right side elevational view thereof; FIG. 6 is a left side elevational view thereof; FIG. 7 is a top plan view thereof; FIG. 8 is a bottom plan view thereof; and, FIG. 9 is a cross-sectional view taken along line 9—9 in FIG. 3.

1 Claim, 9 Drawing Sheets



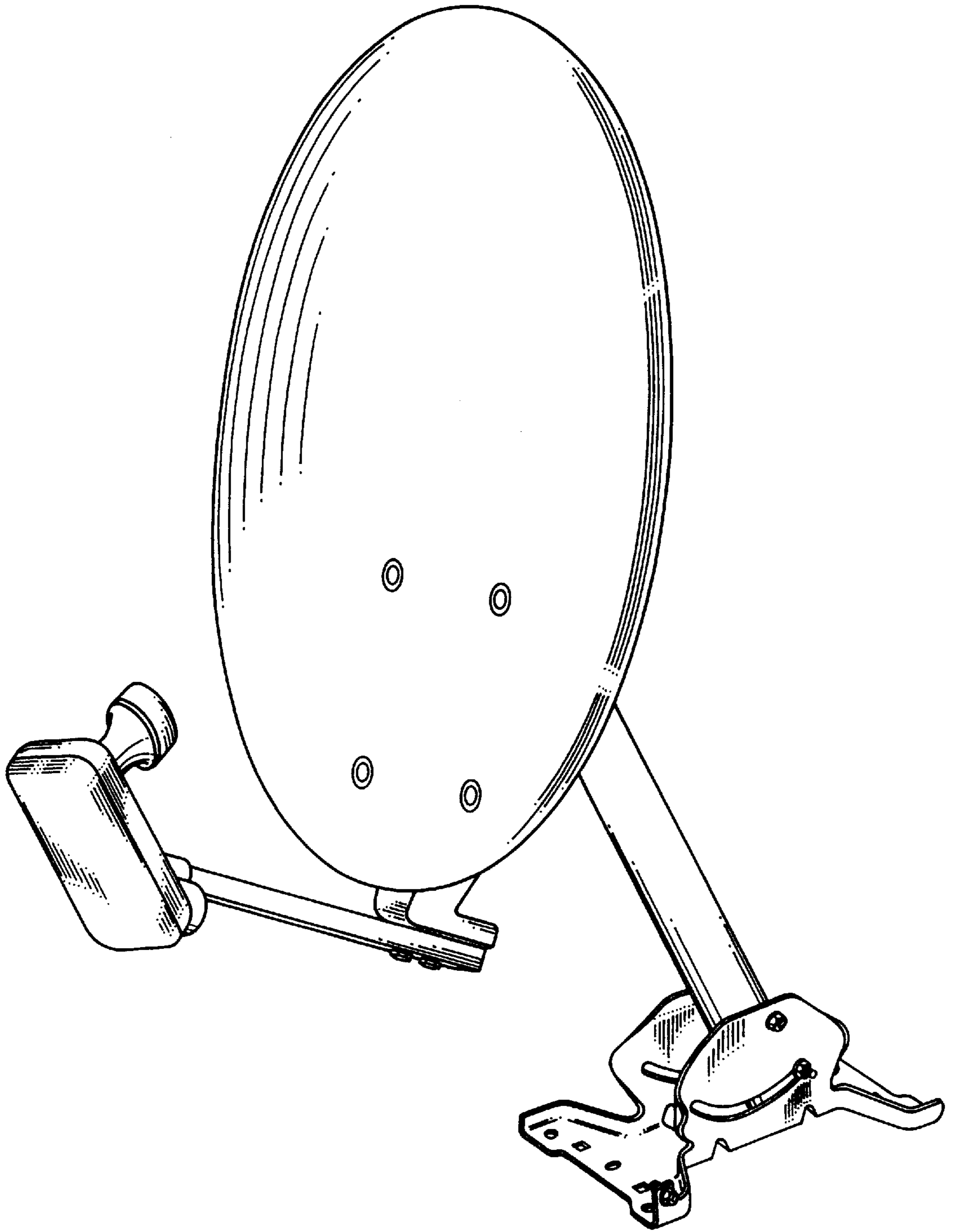


FIG. 1

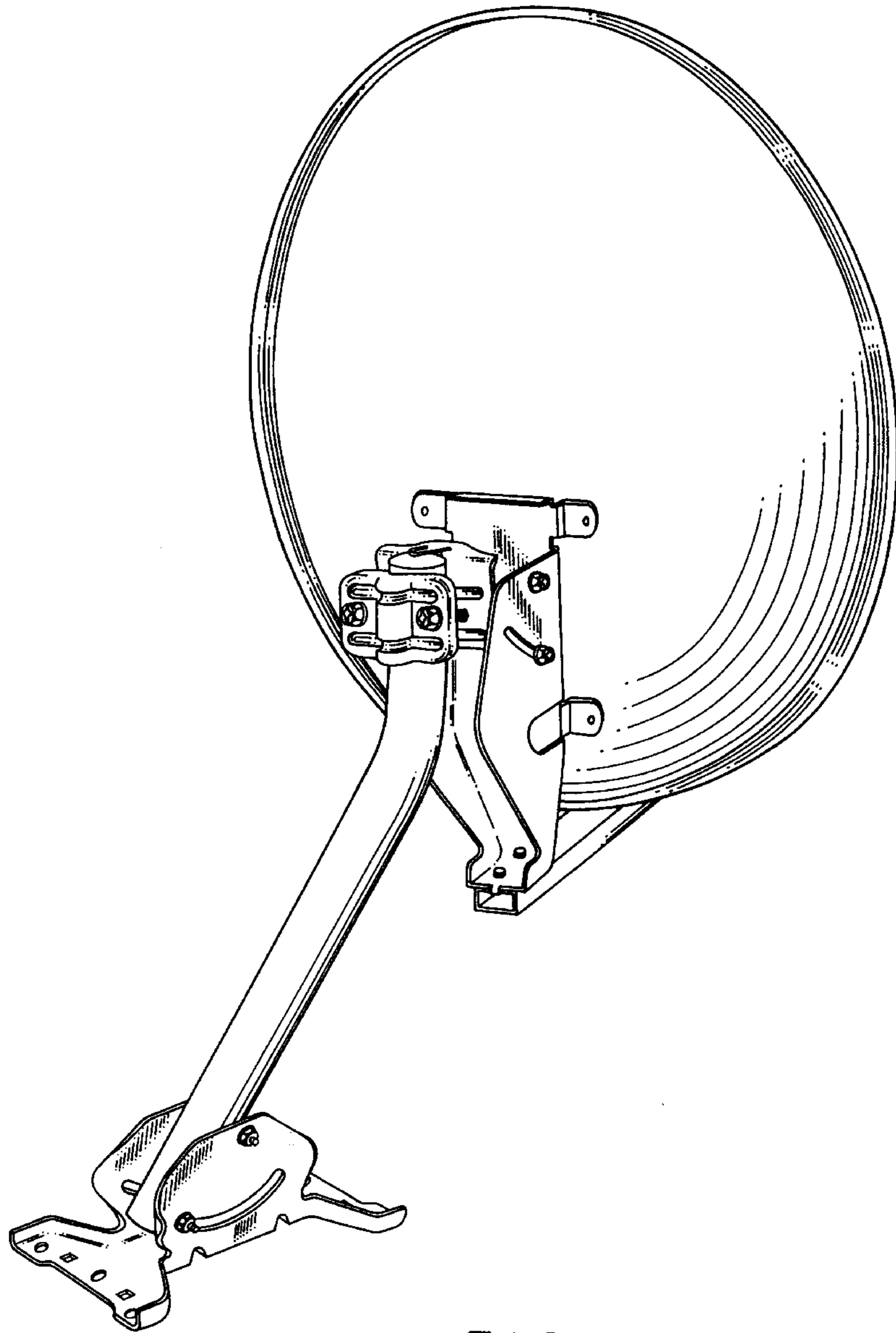


FIG. 2

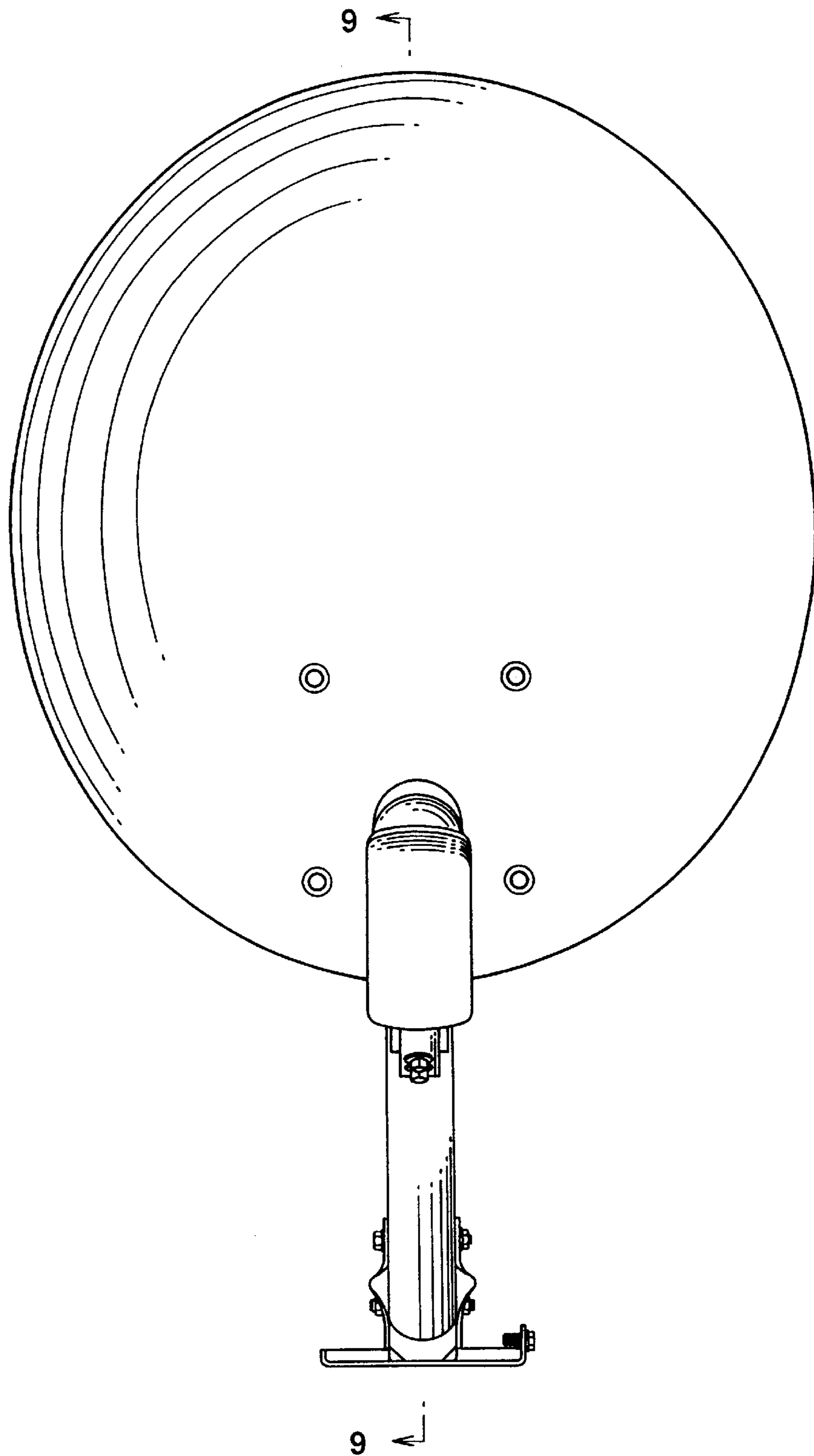


FIG. 3

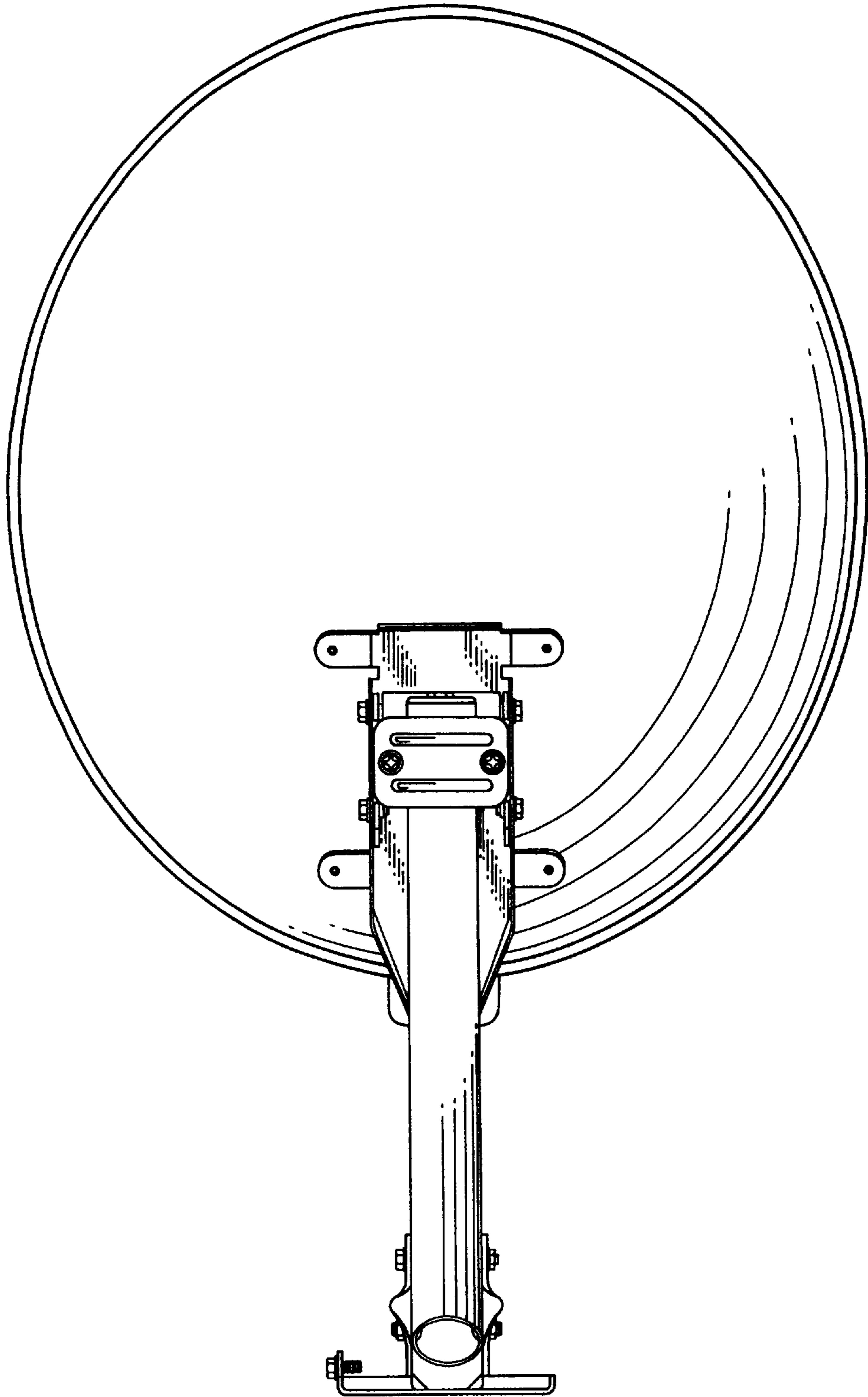
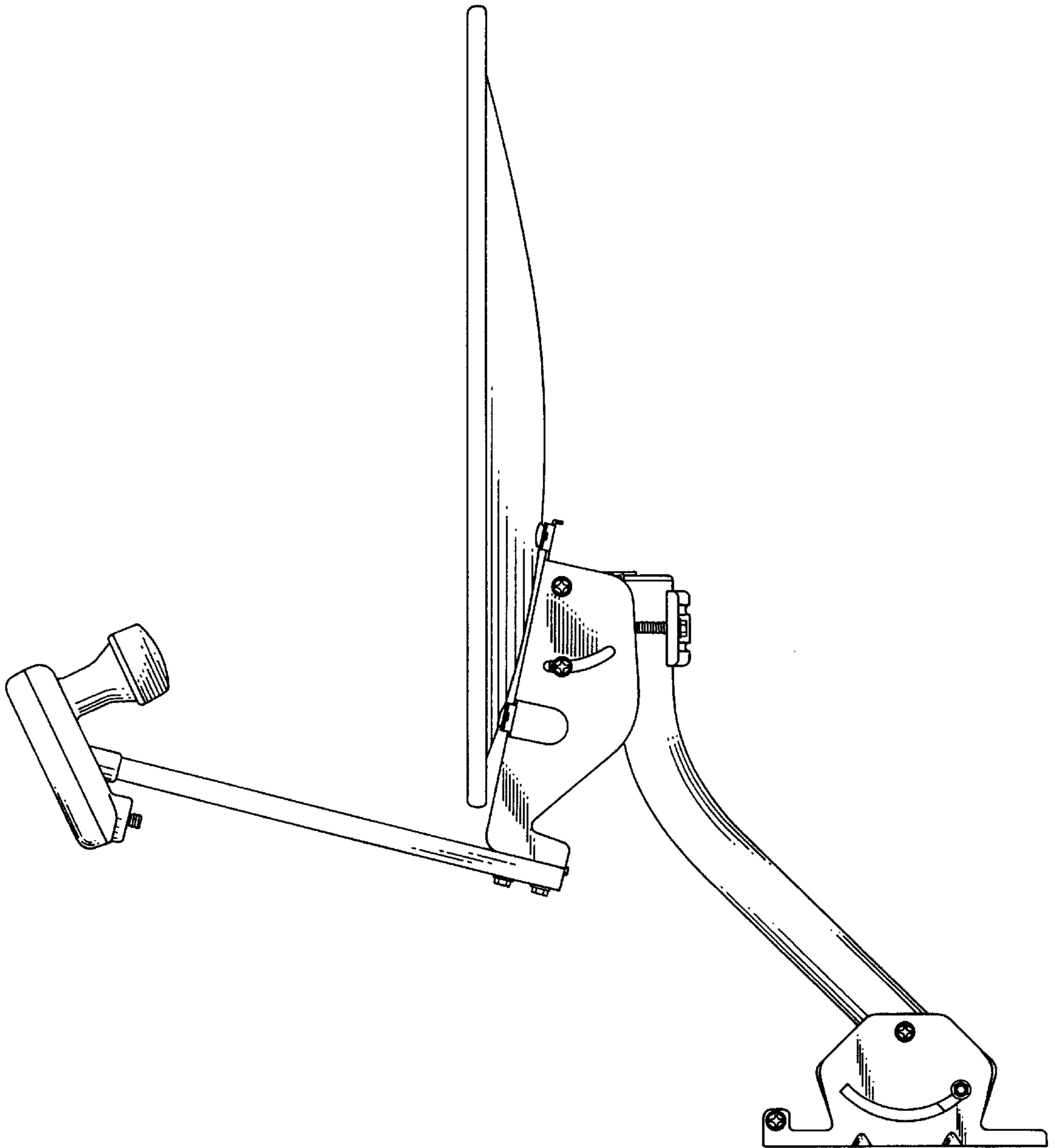
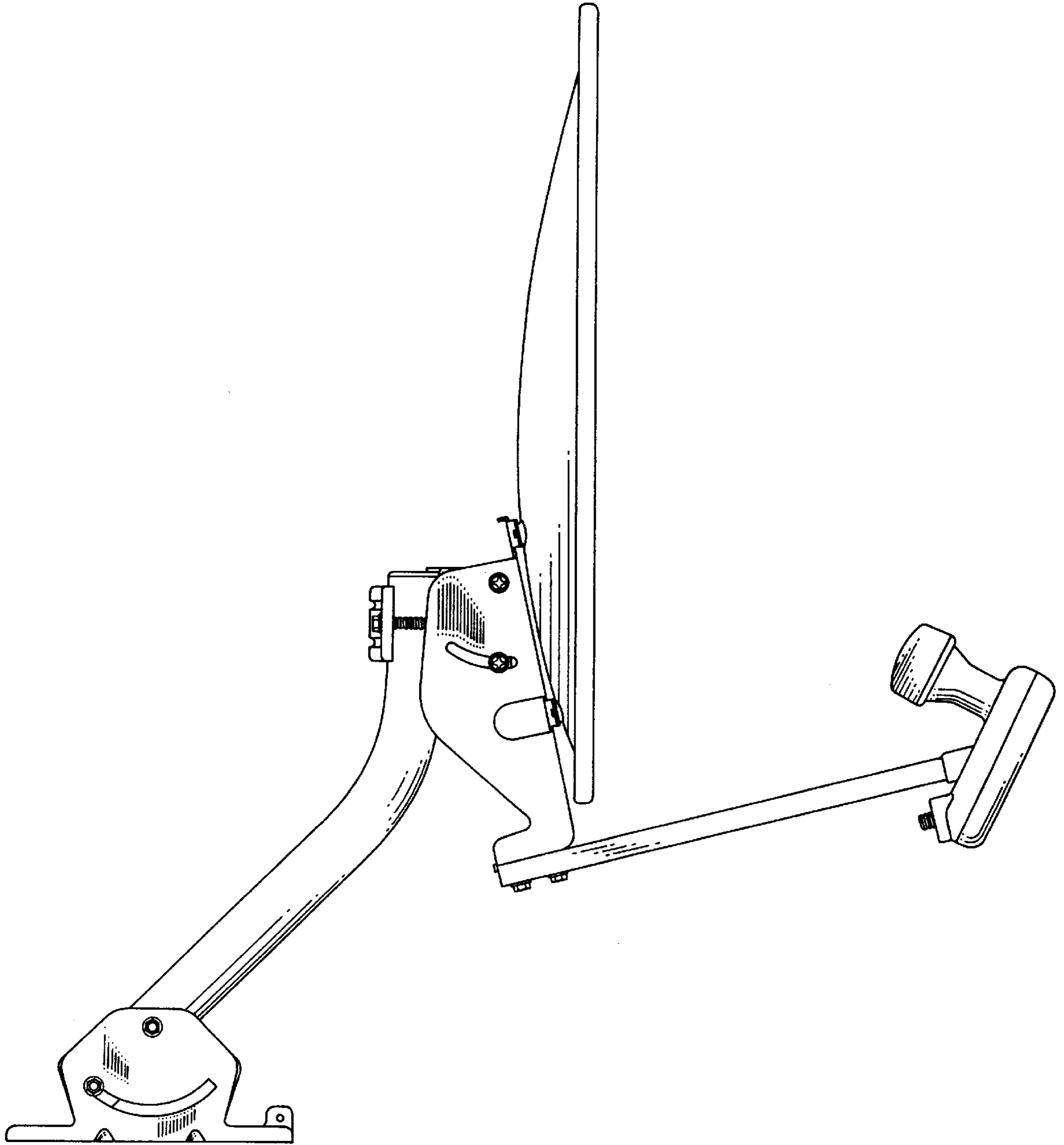


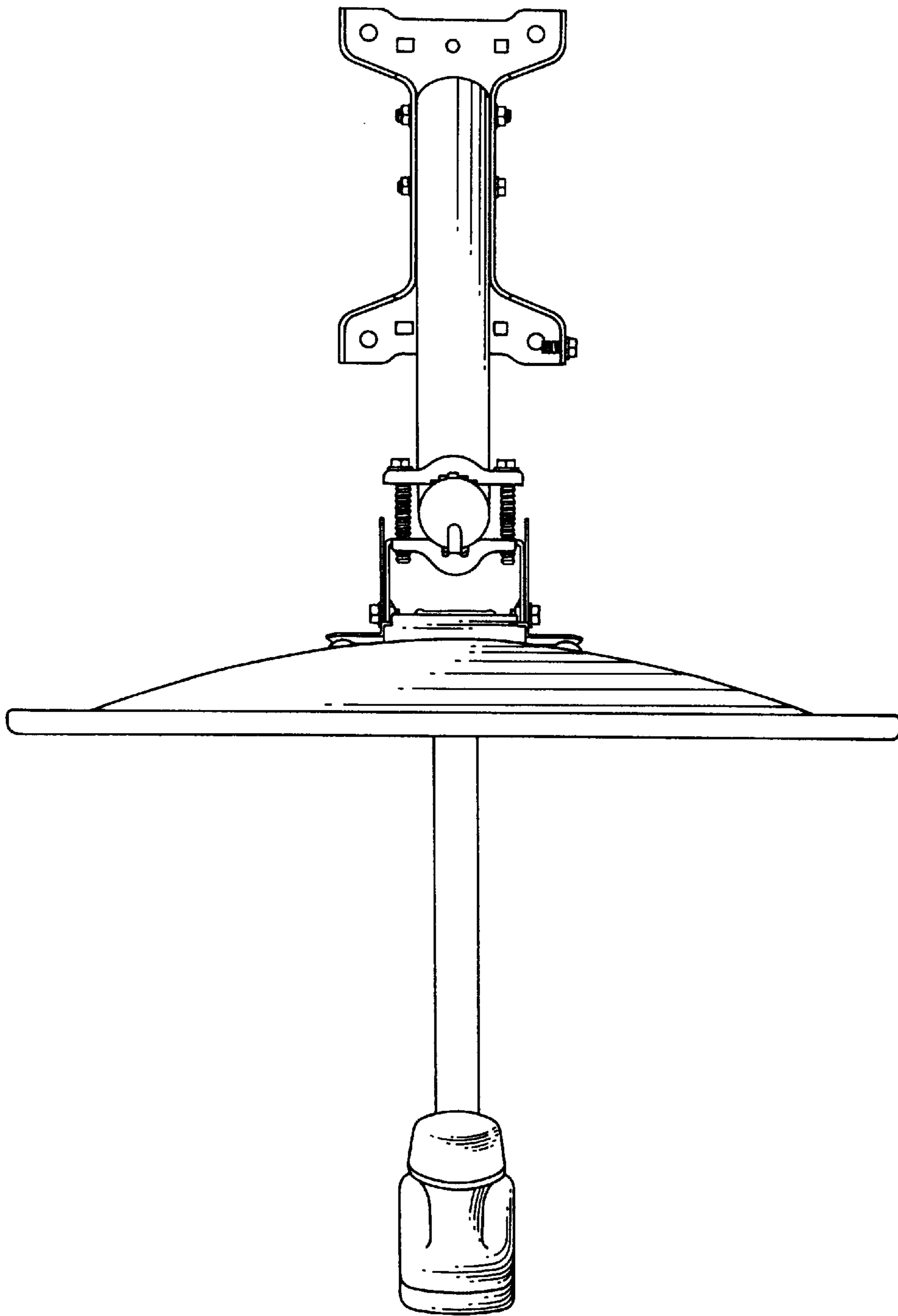
FIG. 4



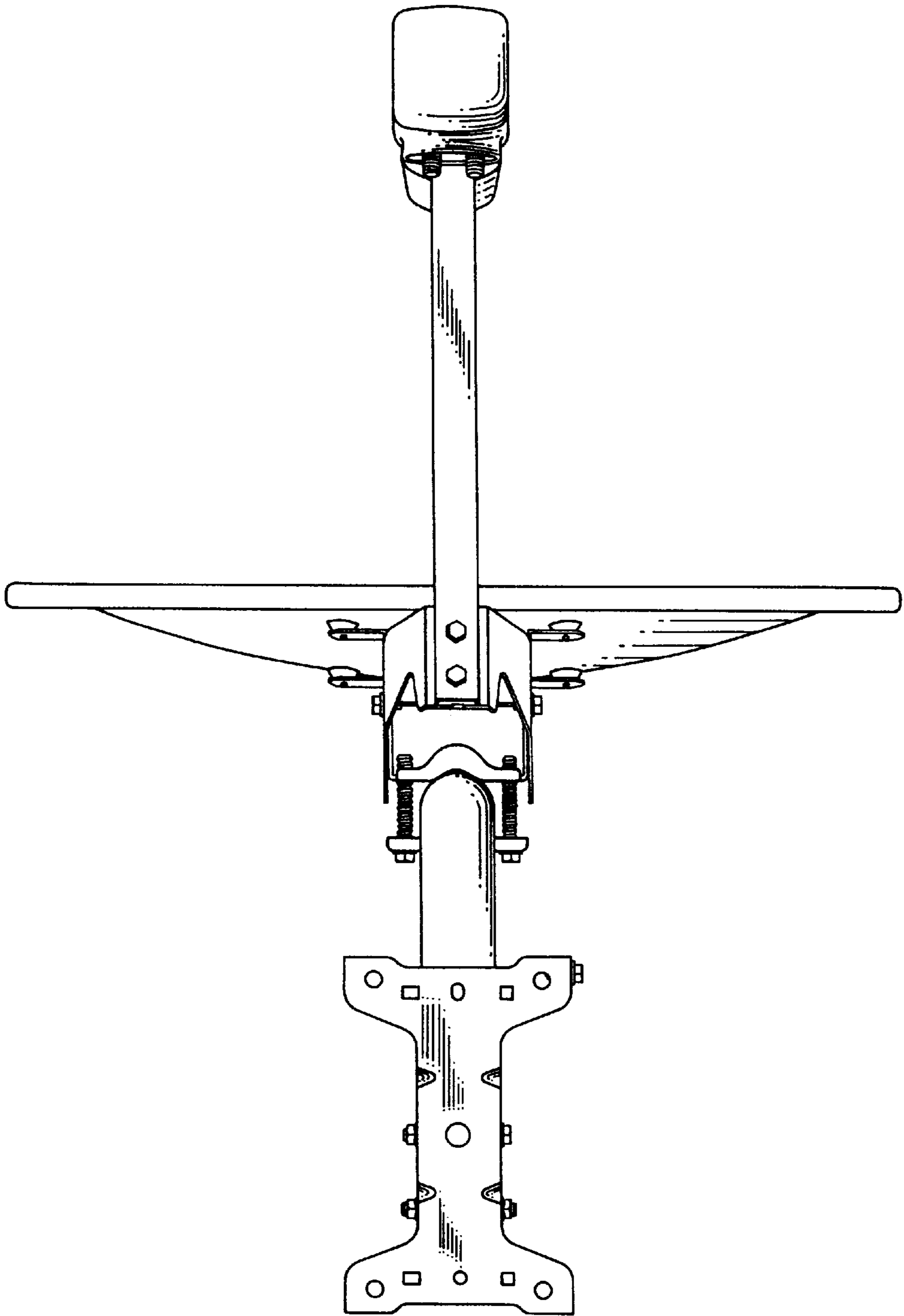
F I G . 5



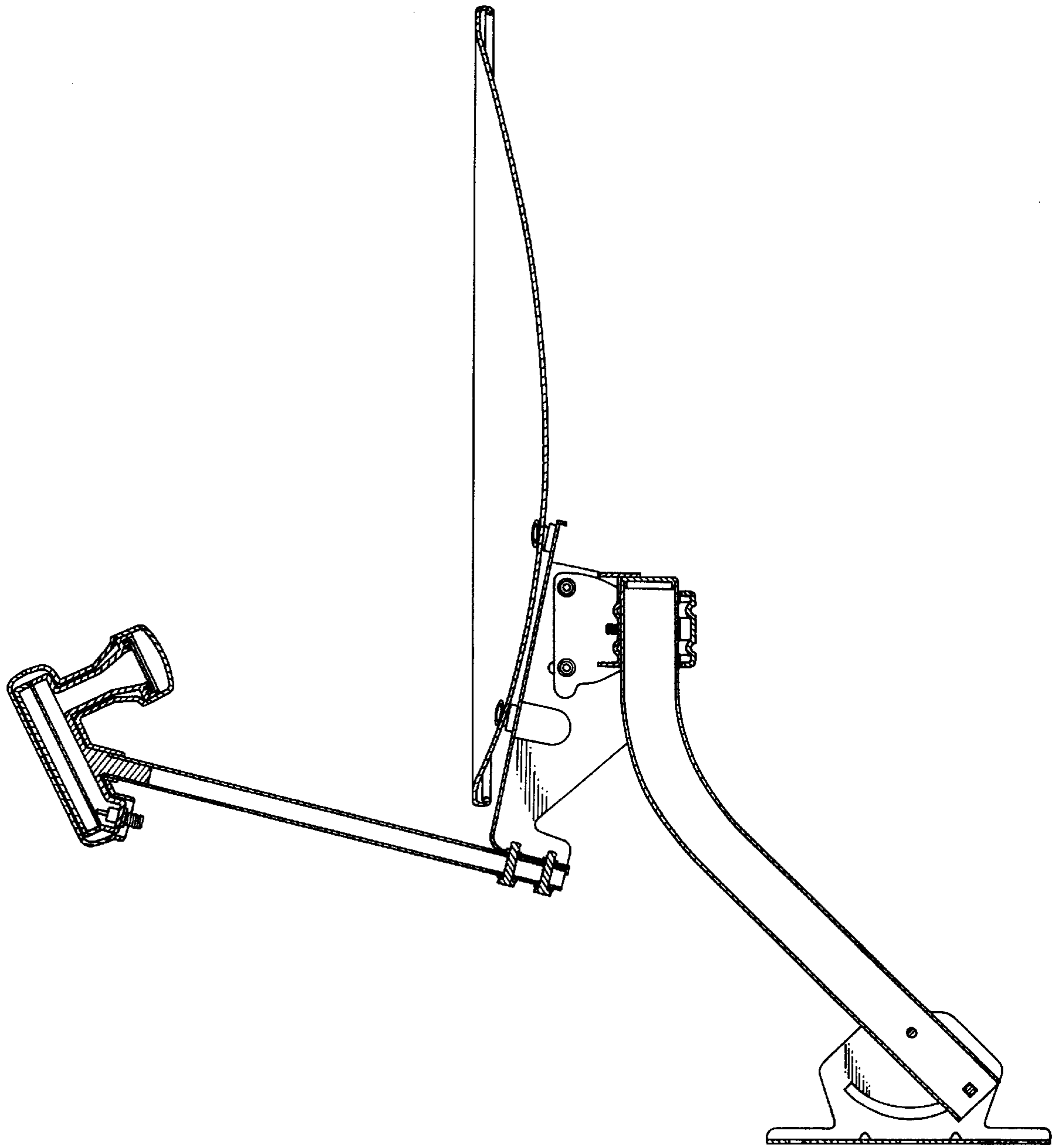
F I G . 6



F I G . 7



F I G . 8



F I G . 9