



US00D409619S

United States Patent [19]

Shin et al.

[11] Patent Number: Des. 409,619

[45] Date of Patent: ** May 11, 1999

[54] AUDIO CONTROL BOX

[75] Inventors: Jay Shin, Brooklyn; James A. Petronio, New York, both of N.Y.

[73] Assignee: Boston Acoustics, Inc., Peabody, Mass.

[**] Term: 14 Years

[21] Appl. No.: 29/087,688

[22] Filed: May 7, 1998

[51] LOC (6) Cl. 14-99

[52] U.S. Cl. D14/217

[58] Field of Search D13/123; D14/124, D14/168, 188, 189, 197, 198, 217, 265, 299; 455/344, 345, 347, 350, 351

[56] **References Cited**

U.S. PATENT DOCUMENTS

D. 343,394	1/1994	Kakazaki	D14/188
D. 343,838	2/1994	Frank et al.	D14/198
D. 349,119	7/1994	Eberle et al.	D14/188 X
D. 379,174	5/1997	Kornblum et al.	D14/188 X

Primary Examiner—Nanda Bondade
Attorney, Agent, or Firm—Wolf, Greenfield & Sacks, P.C.

[57] **CLAIM**

The ornamental design for an audio control box, as shown and described.

DESCRIPTION

FIG. 1 is a top front right side perspective view of an audio control box of this invention.

FIG. 2 is a right side elevation view of the audio control box shown in FIG. 1, the left side being a mirror image.

FIG. 3 is a top plan view of the audio control box as shown in FIG. 1.

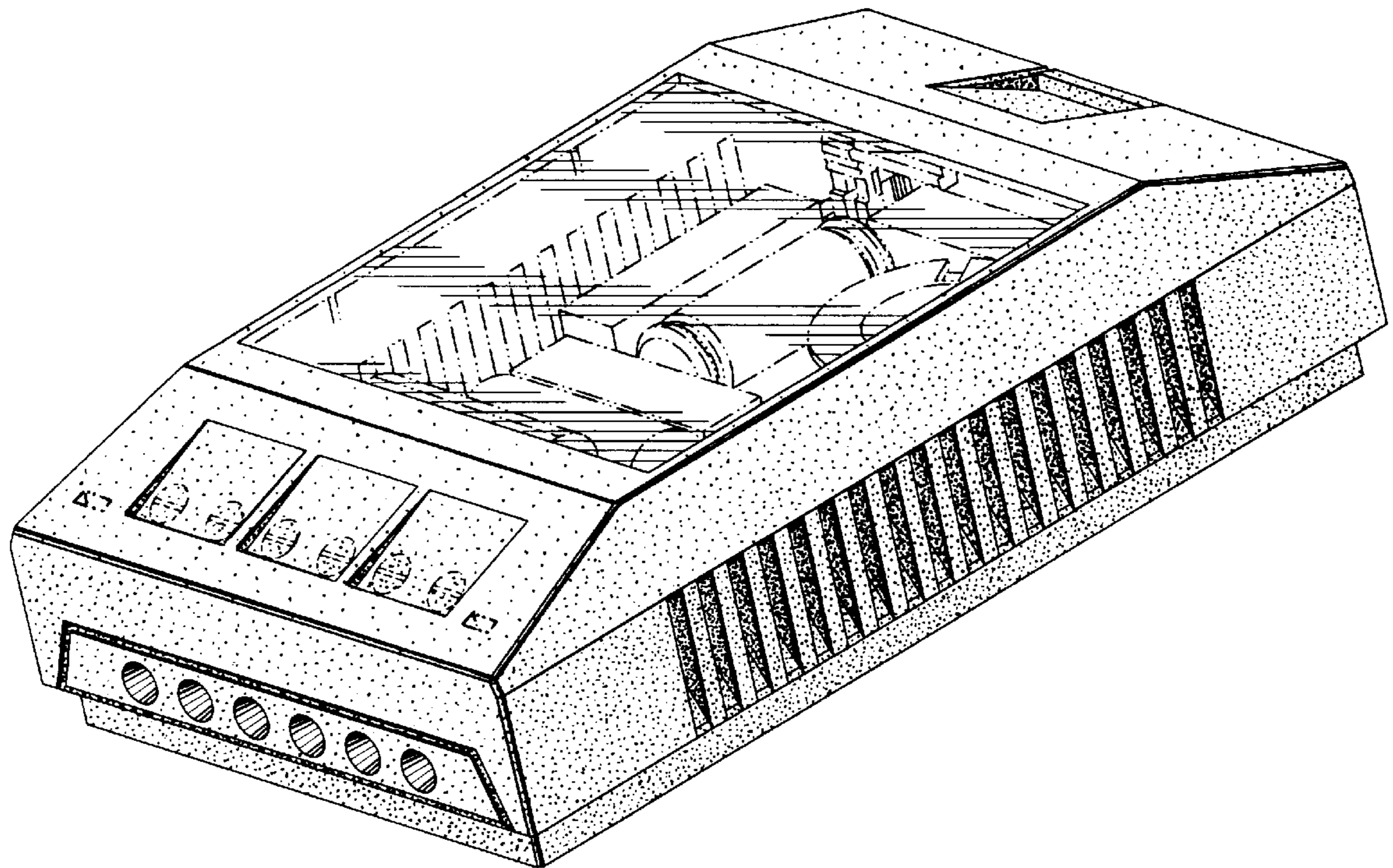
FIG. 4 is a bottom plan view of the audio control box shown in FIG. 1.

FIG. 5 is a front elevation view of the audio control box shown in FIG. 1; and,

FIG. 6 is a rear elevation view of the audio control box shown in FIG. 1.

The broken line showing of FIGS. 1–5 is for illustrative purposes only and form no part of the claimed design.

1 Claim, 3 Drawing Sheets



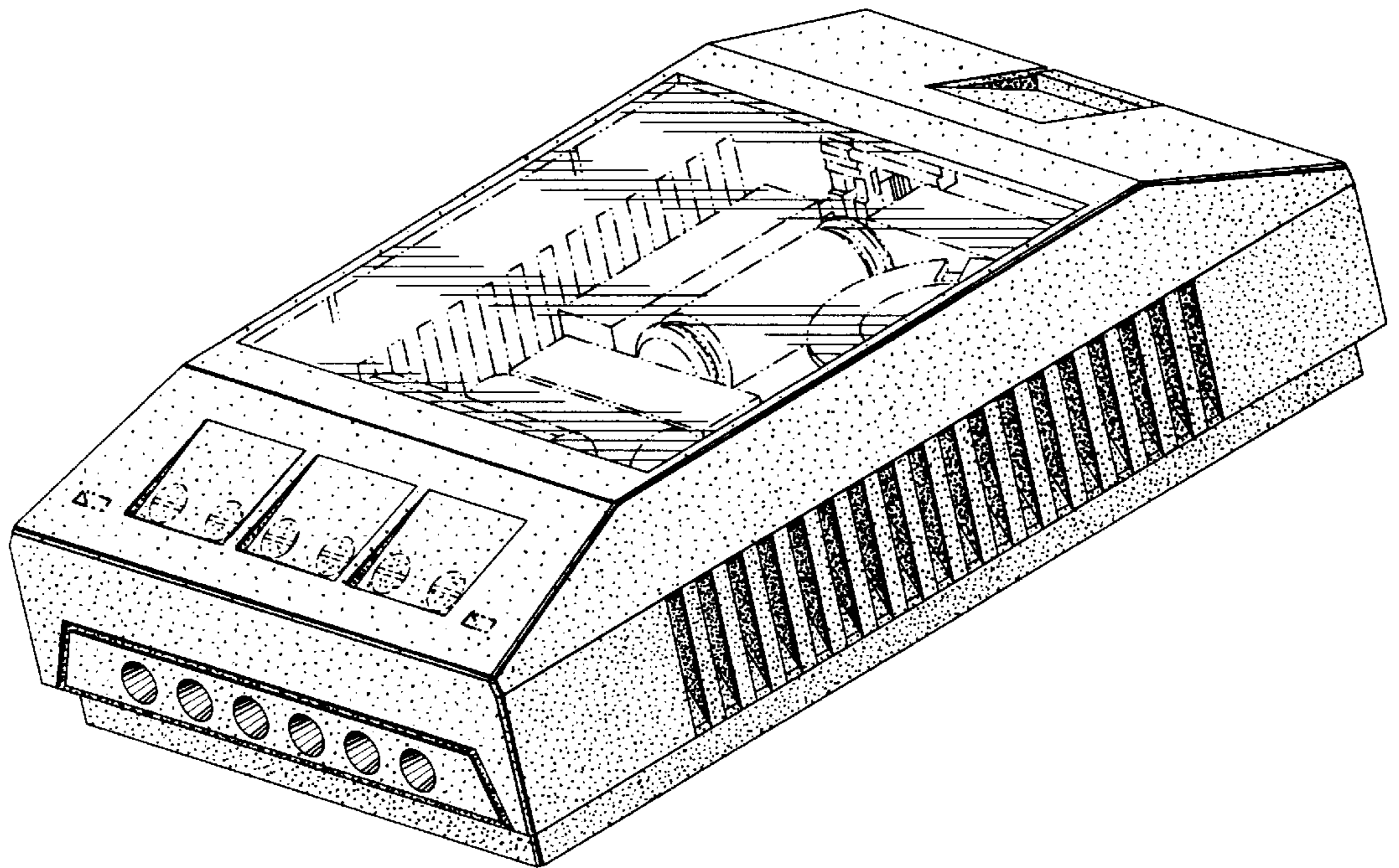


Fig. 1

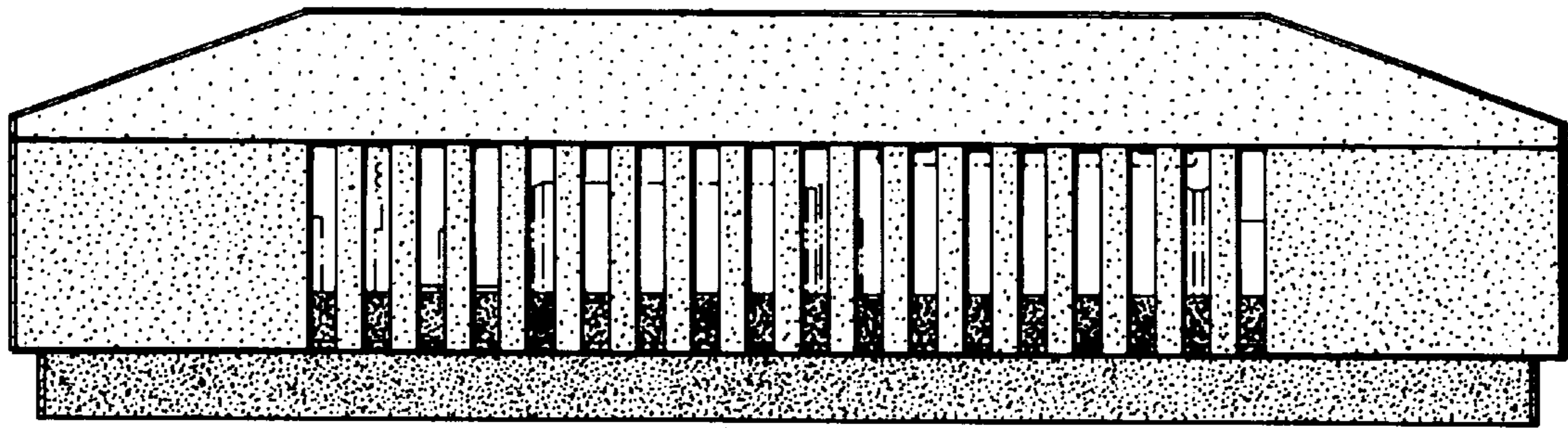


Fig. 2

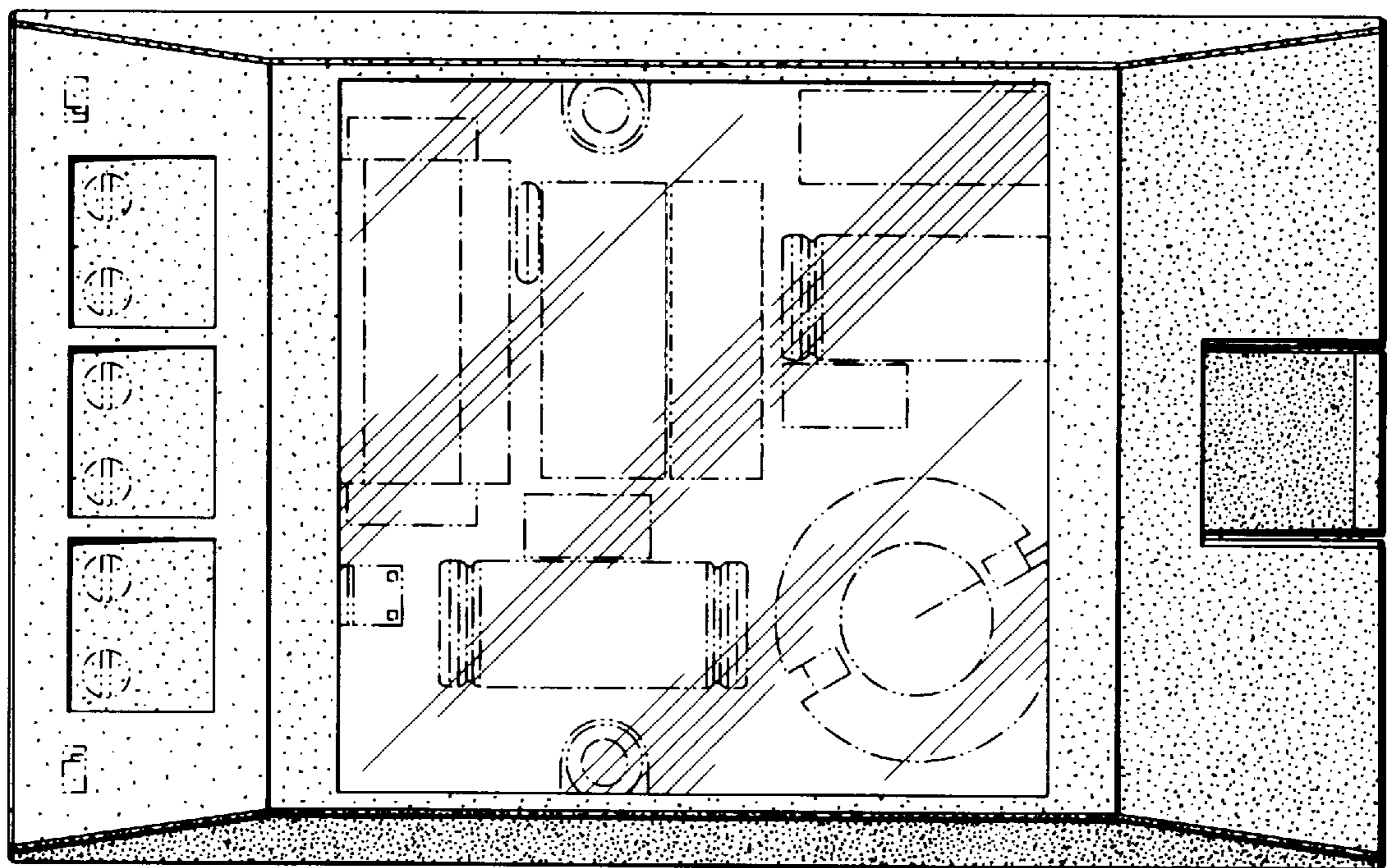


Fig. 3

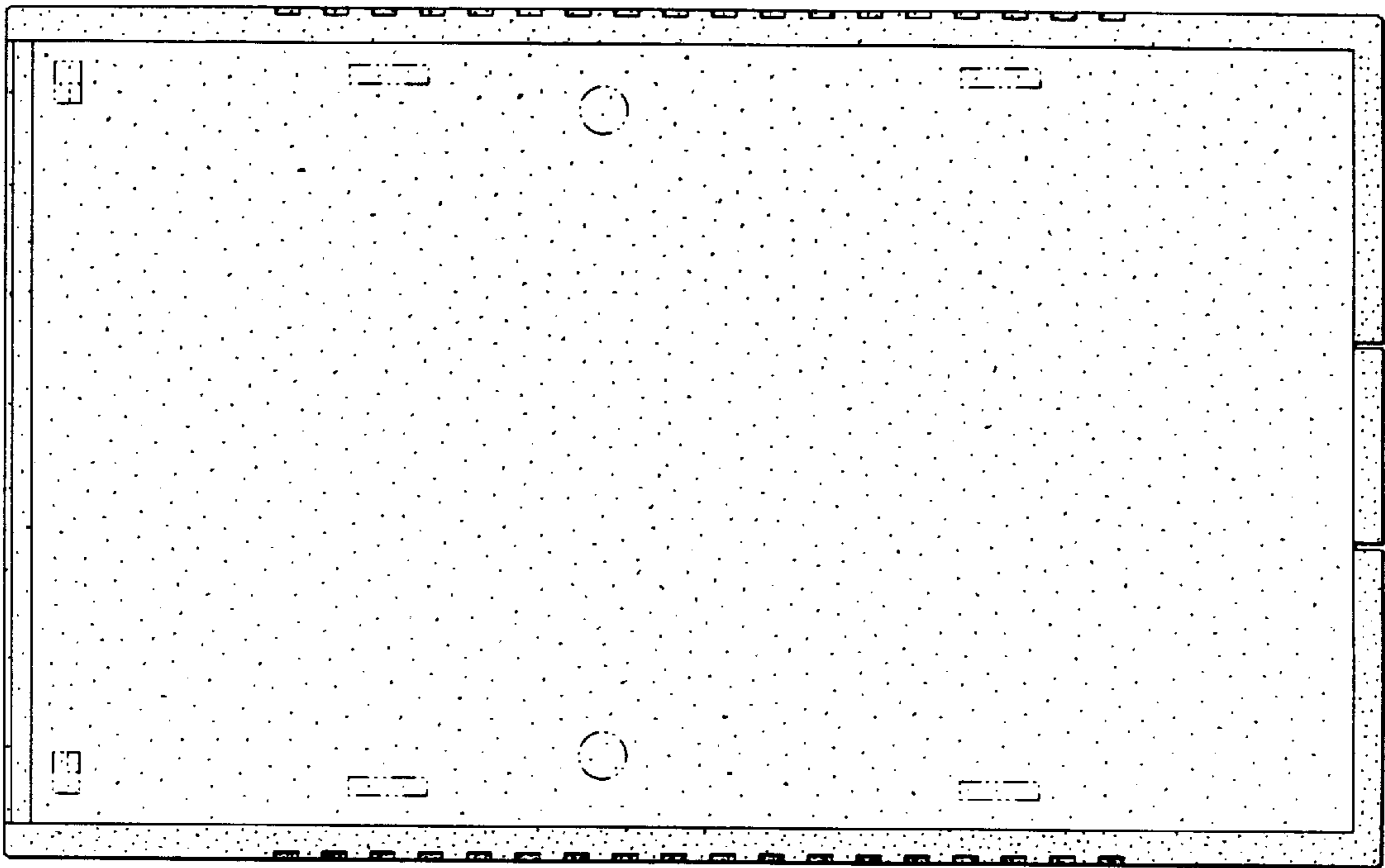


Fig. 4

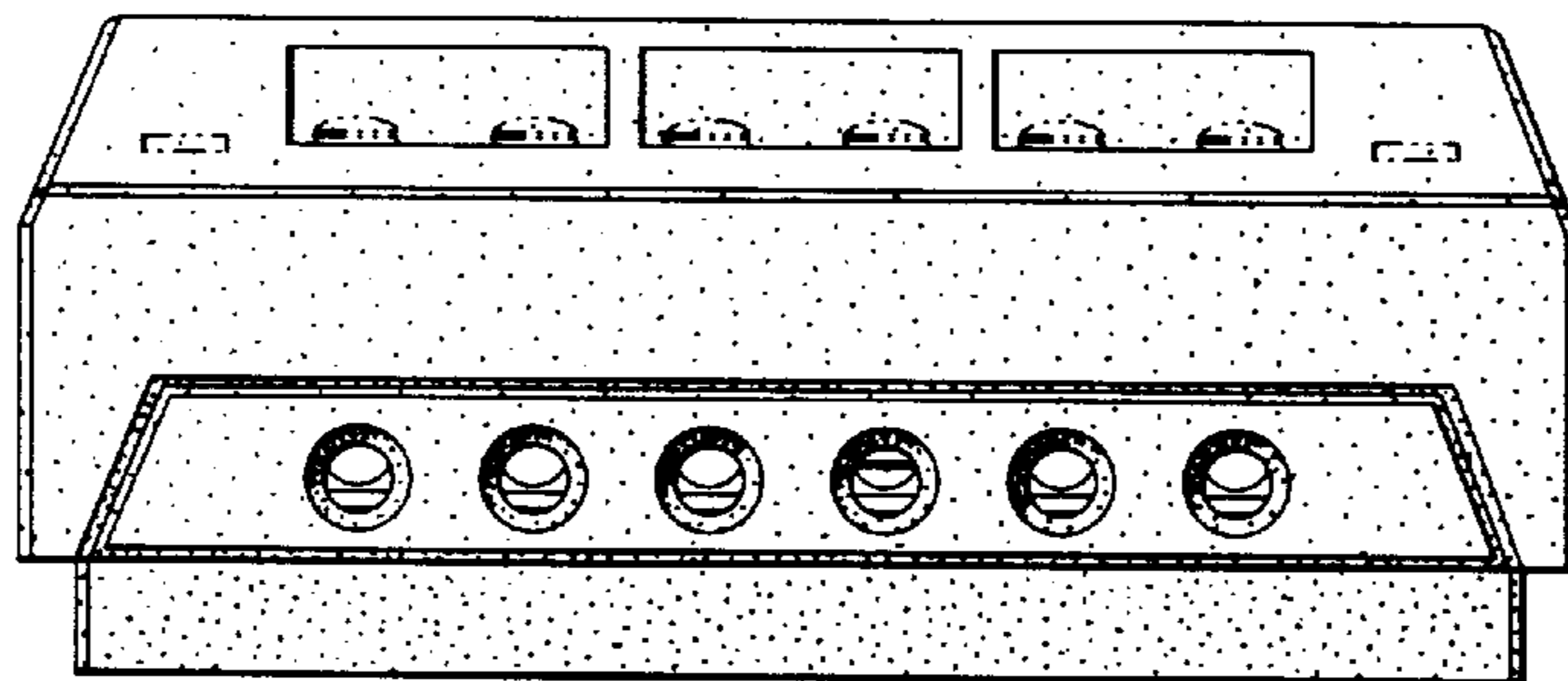


Fig. 5

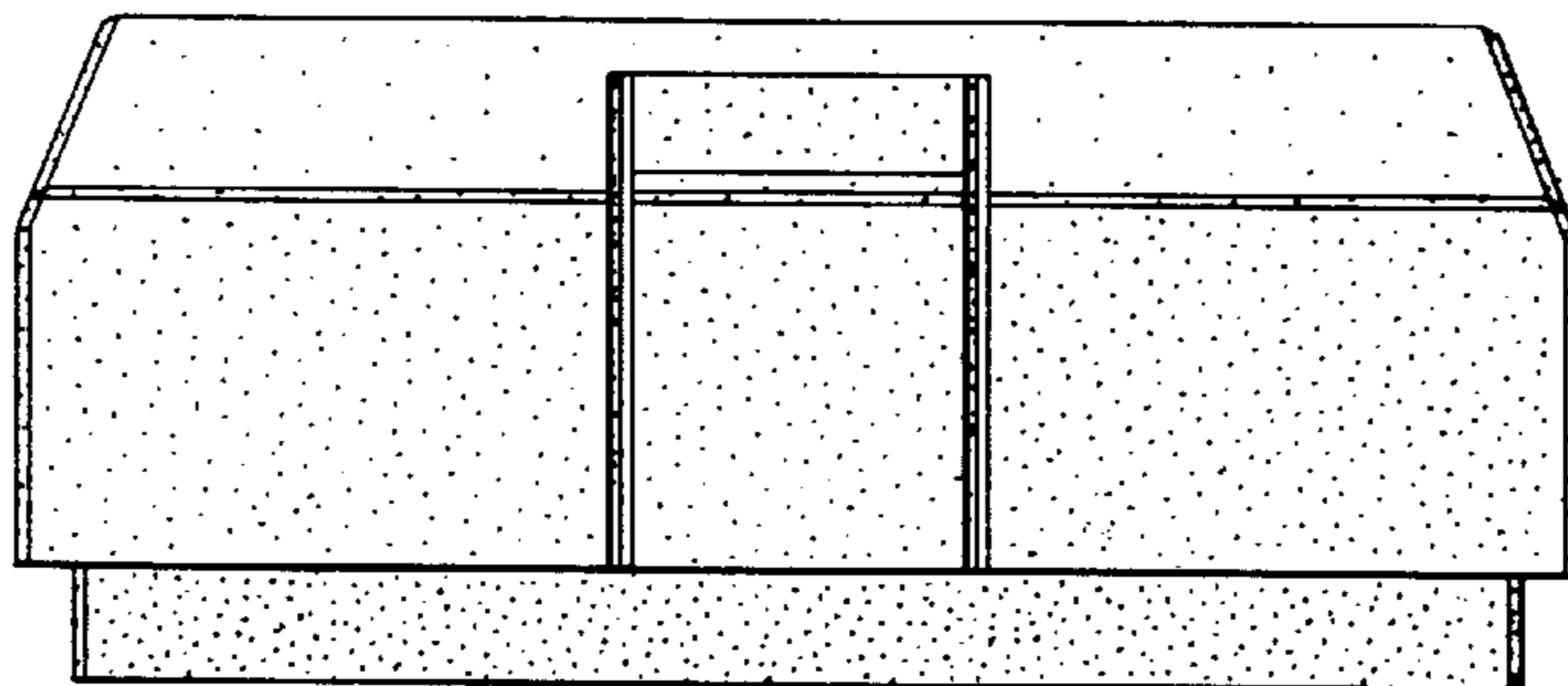


Fig. 6