



US00D409613S

United States Patent [19]

McGee et al.

[11] Patent Number: **Des. 409,613**

[45] Date of Patent: ****May 11, 1999**

[54] **HEAVY DUTY RADIO CONTAINER**

[76] Inventors: **William D. McGee**, 121 Albemarle Rd., Norwood, Mass. 02062; **Richard E. McGee**, 207 Dana Ave., Hyde Park, Mass. 02136

[**] Term: **14 Years**

[21] Appl. No.: **29/085,525**

[22] Filed: **Mar. 25, 1998**

[51] LOC (6) Cl. **14-03**

[52] U.S. Cl. **D14/189; D14/193; D14/196; D3/274**

[58] Field of Search D3/274, 276, 281, D3/291, 294, 905; D7/709, 710; D14/124, 168, 188-189, 192-198, 299; 206/372, 373; 455/344, 347-351

[56] **References Cited**

U.S. PATENT DOCUMENTS

D. 370,675 6/1996 Kirk, III et al. D14/168

D. 373,247 9/1996 Dickinson et al. D3/905 X
D. 375,311 11/1996 Keseling et al. D14/168
5,439,108 8/1995 Lackie 206/373

Primary Examiner—Ted Shooman
Assistant Examiner—Nanda Bondade
Attorney, Agent, or Firm—Scott B. Garrison; Lambert & Garrison PLLC

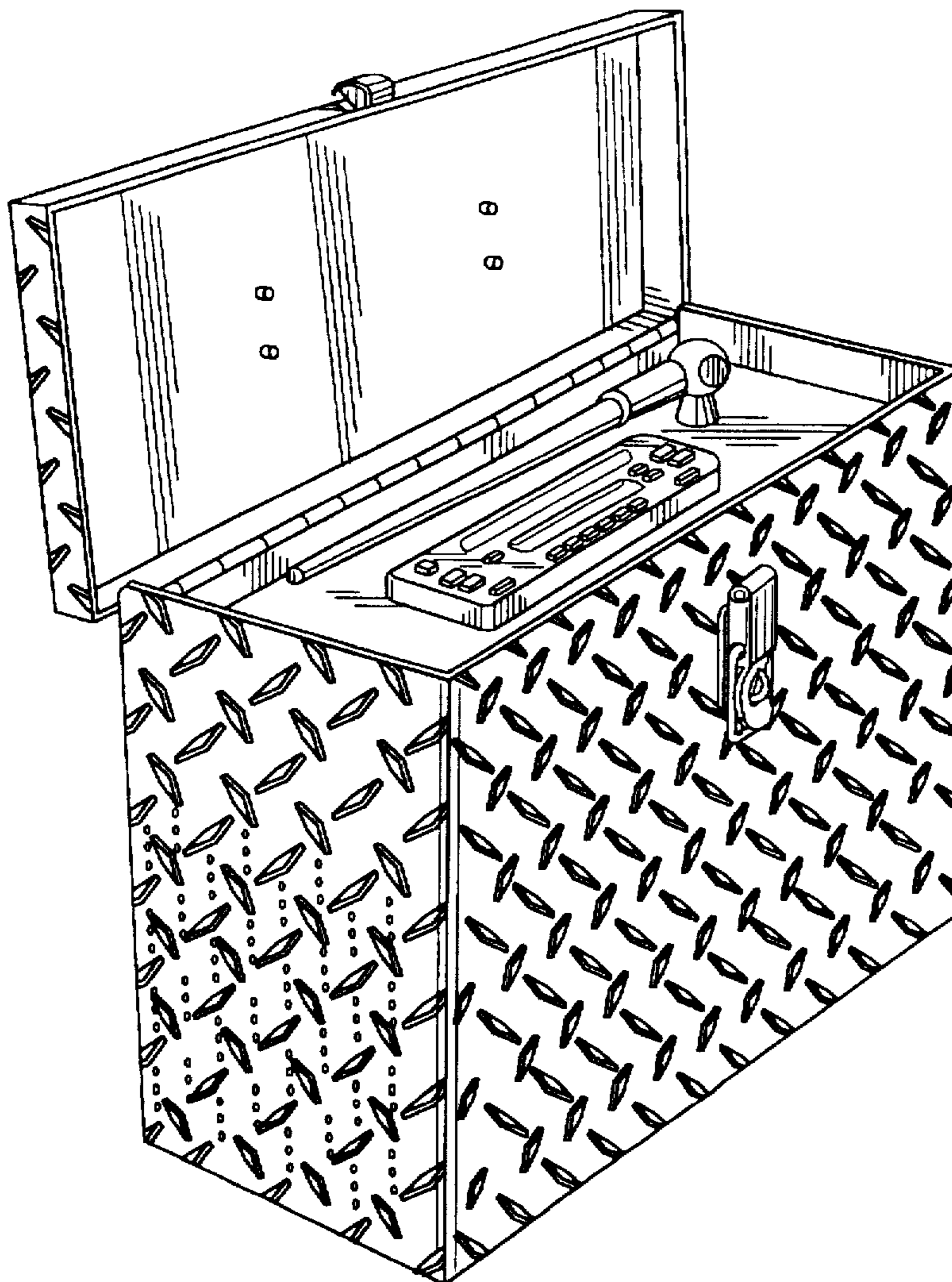
[57] **CLAIM**

The ornamental design for a heavy duty radio container, as shown and described.

DESCRIPTION

FIG. 1 is a left front perspective view of a heavy duty radio container which embodies our design; FIG. 2 is a front elevation view of FIG. 1; FIG. 3 is a rear elevation view of FIG. 1; FIG. 4 is a top plan view of FIG. 1; FIG. 5 is a bottom plan view of FIG. 1; and, FIG. 6 is a right side view of FIG. 1.

1 Claim, 3 Drawing Sheets



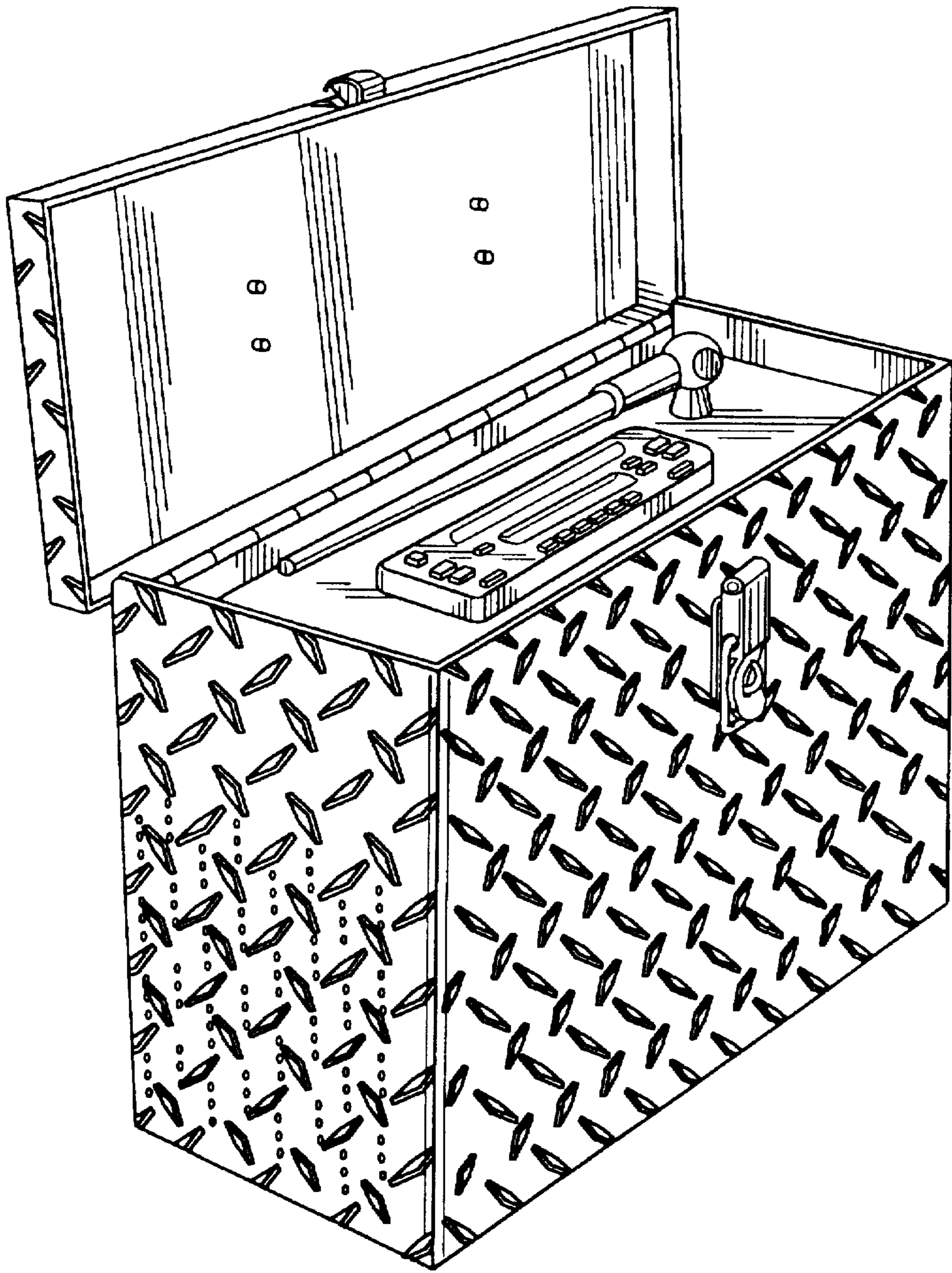


FIG. 1

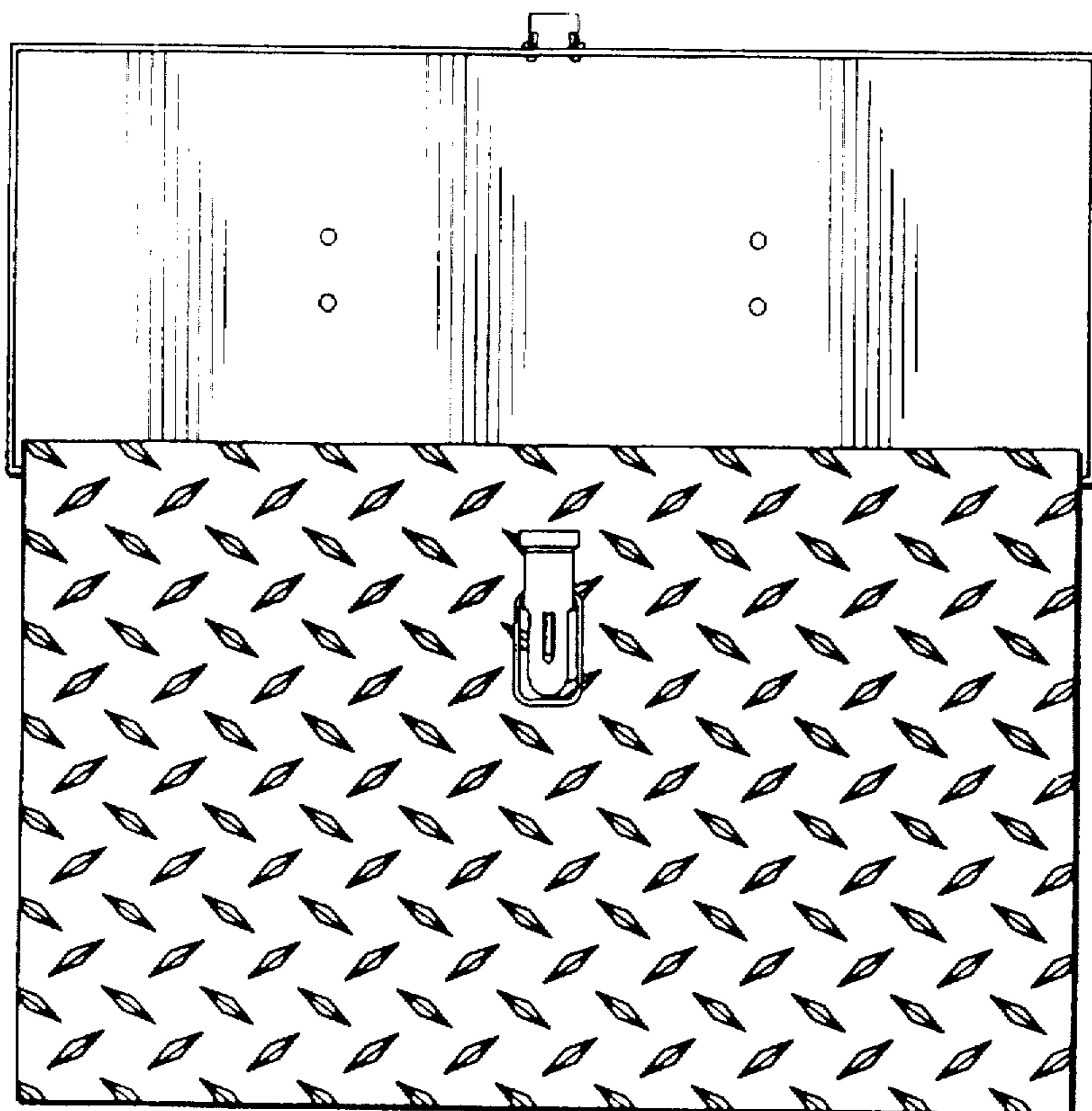
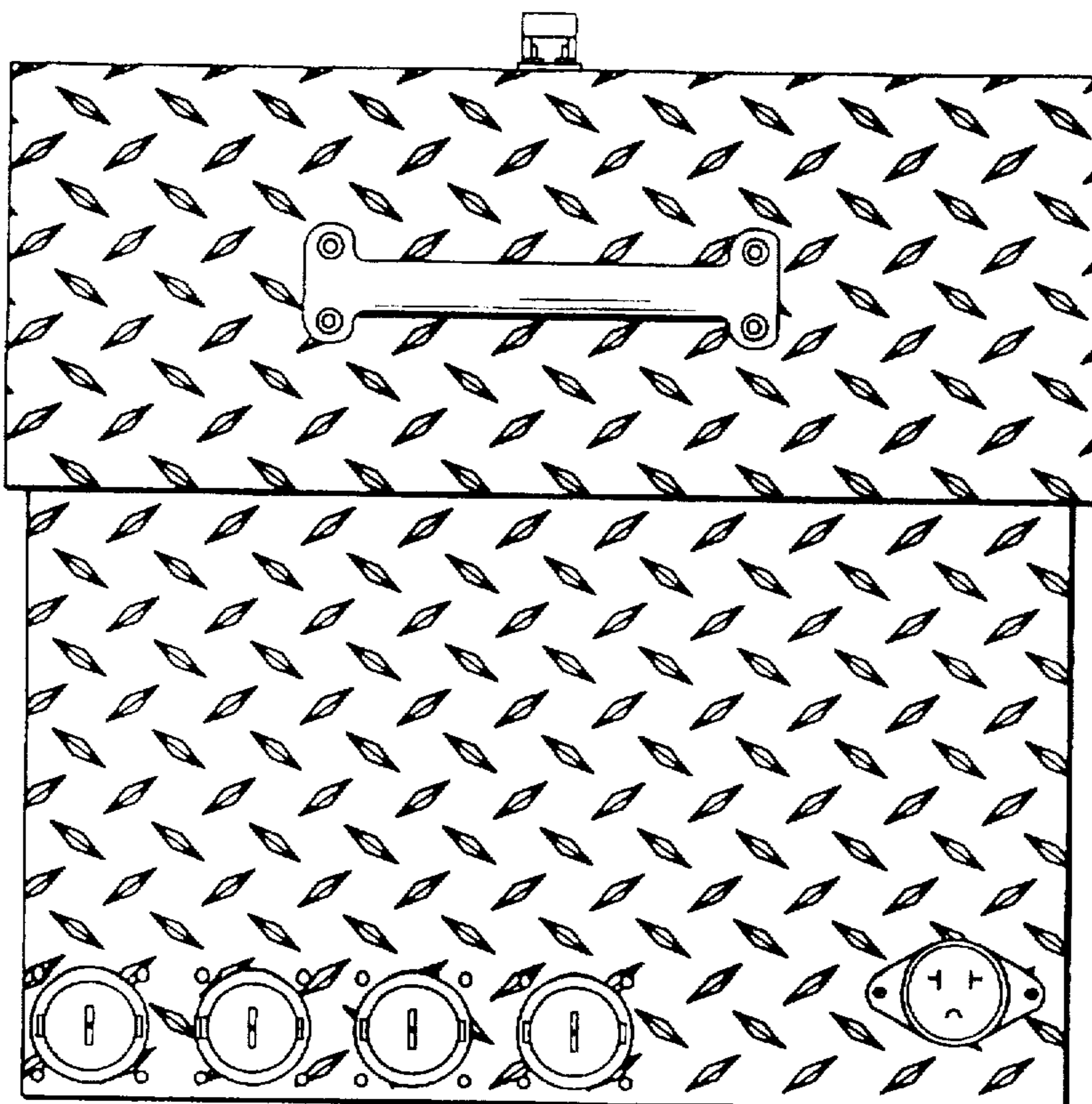


FIG. 2



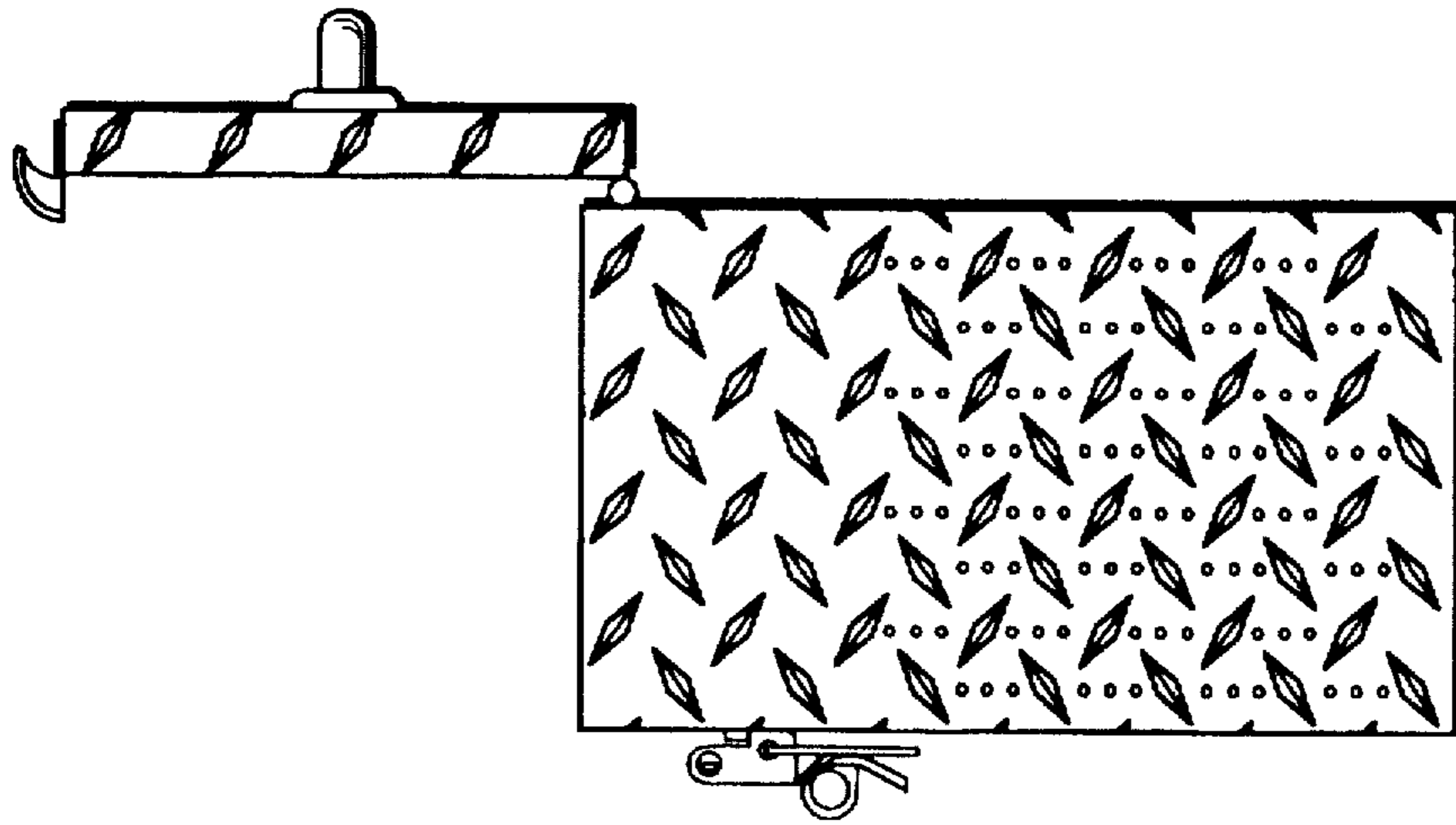


FIG. 6

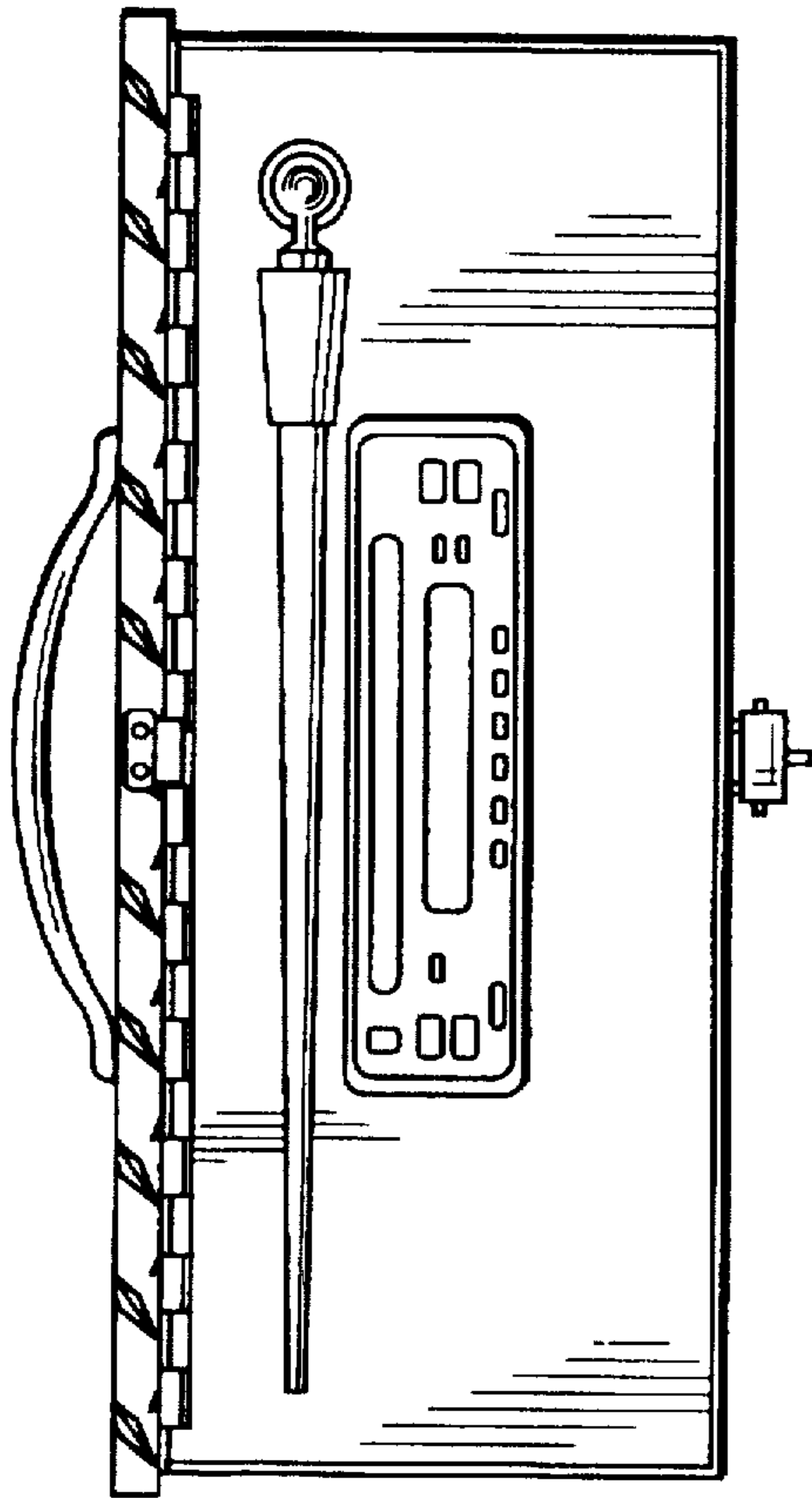


FIG. 4

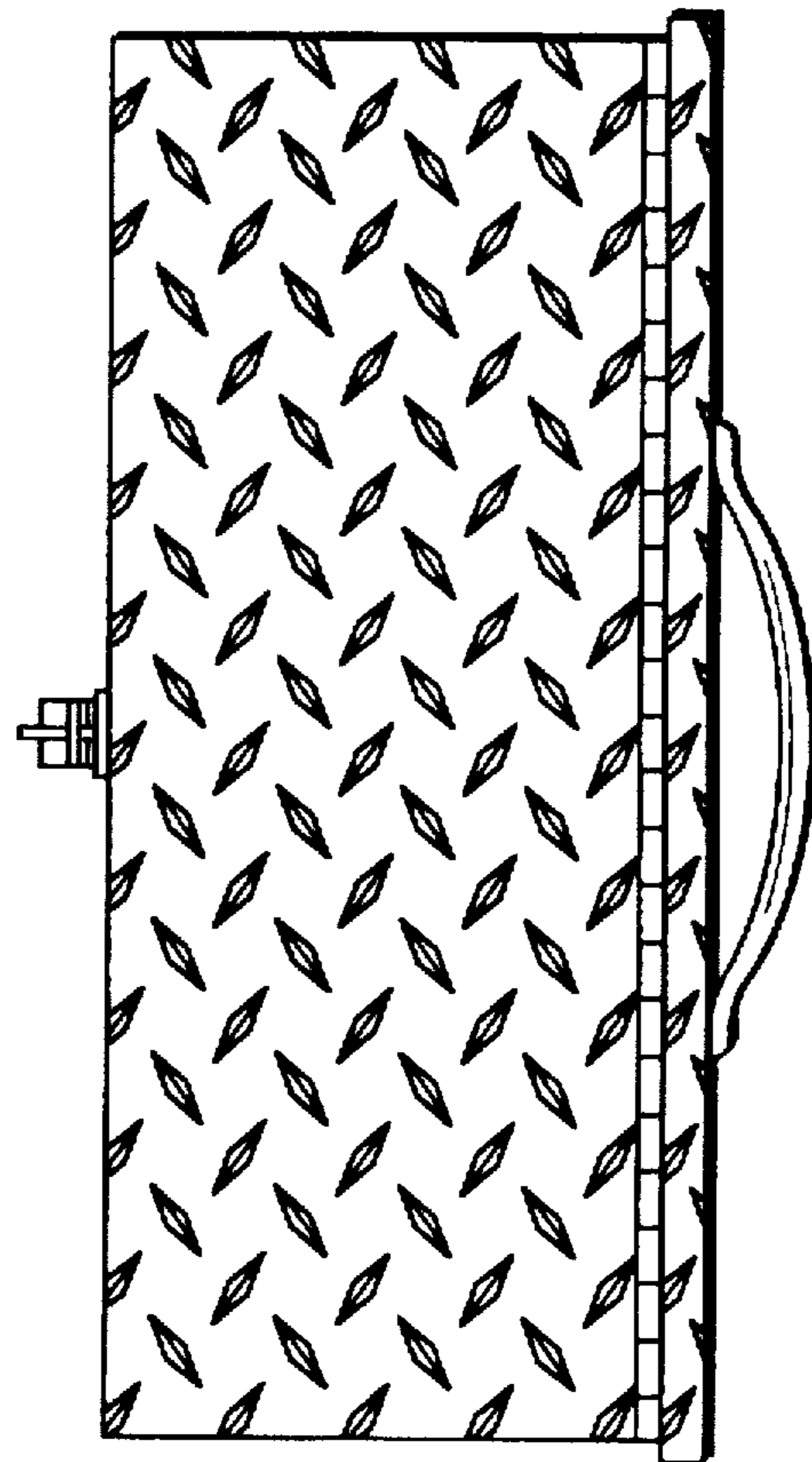


FIG. 5